



US00D839311S

(12) **United States Design Patent**
Shurdim

(10) **Patent No.:** **US D839,311 S**

(45) **Date of Patent:** **** Jan. 29, 2019**

(54) **INTAKE MANIFOLD**

(71) Applicant: **Oliver Matt Shurdim**, Anaheim, CA
(US)

(72) Inventor: **Oliver Matt Shurdim**, Anaheim, CA
(US)

(**) Term: **15 Years**

(21) Appl. No.: **29/585,343**

(22) Filed: **Nov. 22, 2016**

(51) **LOC (11) Cl.** **15-01**

(52) **U.S. Cl.**
USPC **D15/5**

(58) **Field of Classification Search**
USPC D15/1-5
CPC F02M 35/10091; F02M 35/10222; F02M
35/10295; F02M 35/10321; F02M
35/10262; F02M 35/104; F02M
35/10354; F02M 35/116; F02M
35/10052; F02M 35/10078; F02M
35/10144; F02M 35/10347; F02M 26/32;
F02M 26/41; F02M 26/53; F02C 7/04;
F04D 29/4213; F04D 29/441; F04D
29/541; F04D 29/667; F02B 75/22
See application file for complete search history.

(56) **References Cited**

U.S. PATENT DOCUMENTS

D444,479 S *	7/2001	Pace	D15/5
6,513,507 B2 *	2/2003	Balekai	F02B 75/22 123/568.12
D541,302 S *	4/2007	Martin, III	D15/5
2002/0023630 A1 *	2/2002	Balekai	F02B 75/22 123/568.12
2007/0186546 A1 *	8/2007	Midgley	F01N 3/2853 60/302
2017/0096975 A1 *	4/2017	Shurdim	F02M 35/104

OTHER PUBLICATIONS

Diesel Dr. 6.0 Ported Manifold Wayback machine dated product
Jan. 7, 2015 <http://www.powerstrokedoctor.com/store/intake-manifold>.*

* cited by examiner

Primary Examiner — T Chase Nelson

Assistant Examiner — Ania Aman

(74) *Attorney, Agent, or Firm* — CIONCA IP Law P.C.;
Marin Cionca

(57) **CLAIM**

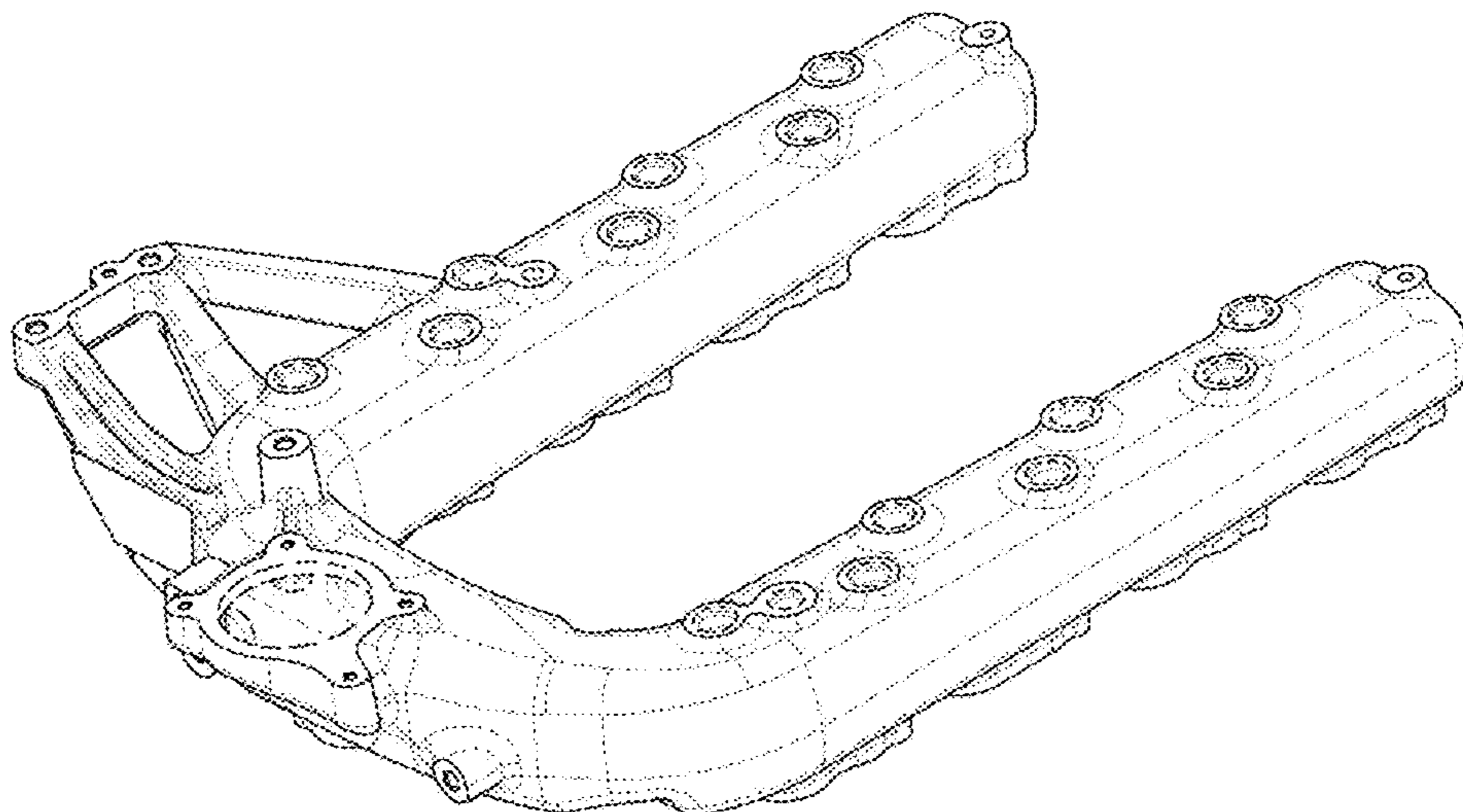
The ornamental design for an intake manifold, as shown and described.

DESCRIPTION

FIG. 1 is a top plan view of an intake manifold showing the new design;
FIG. 2 is a front elevation view thereof;
FIG. 3 is a bottom elevation view thereof;
FIG. 4 is a top left side perspective view thereof;
FIG. 5 is a left side elevation view thereof;
FIG. 6 is a top right side perspective view thereof;
FIG. 7 is a bottom perspective view thereof;
FIG. 8 is a bottom plan view thereof; and,
FIG. 9 is a bottom left perspective view thereof.

The broken lines immediately adjacent the shaded surfaces represent the bounds of the claimed design. All other broken lines depict environmental subject matter that forms no part of the claimed design. The broken lines and unshaded surfaces bounded by broken lines form no part of the claimed design.

1 Claim, 7 Drawing Sheets



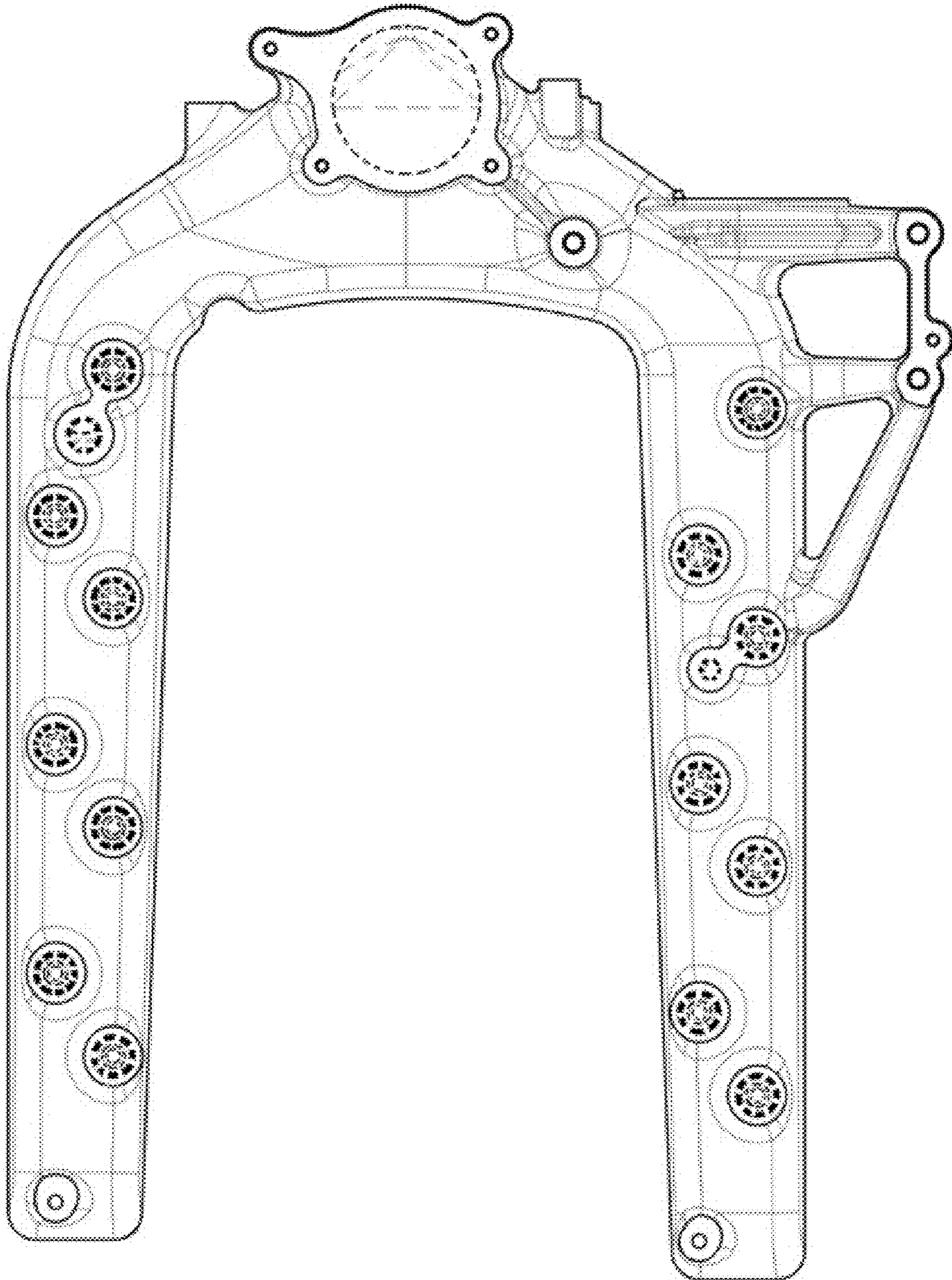


FIG. 1

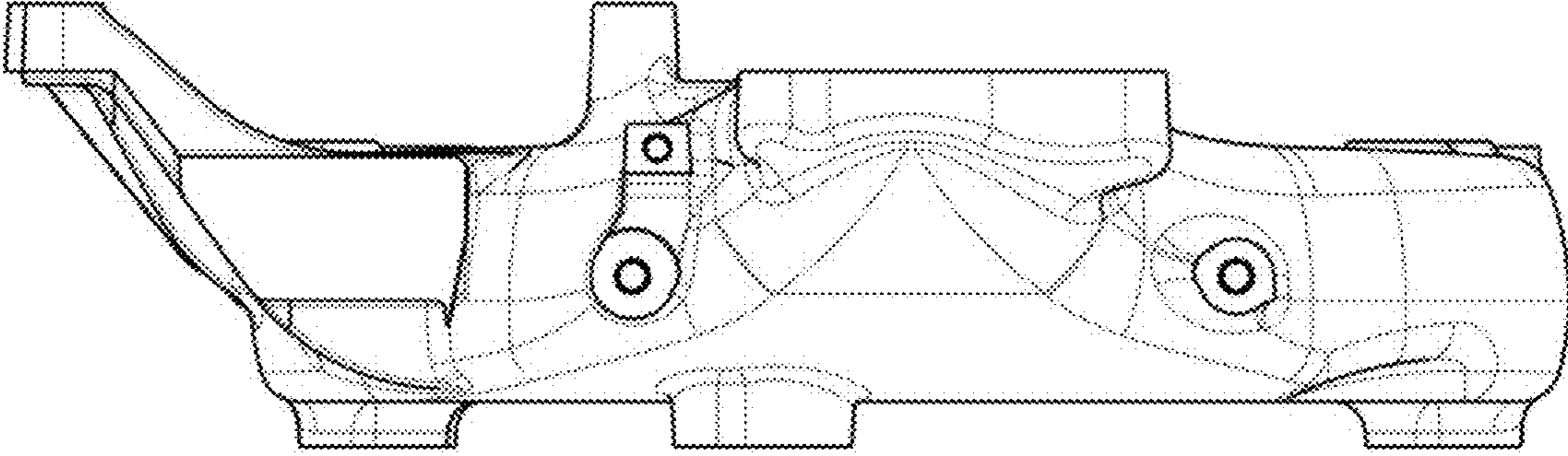


FIG. 2

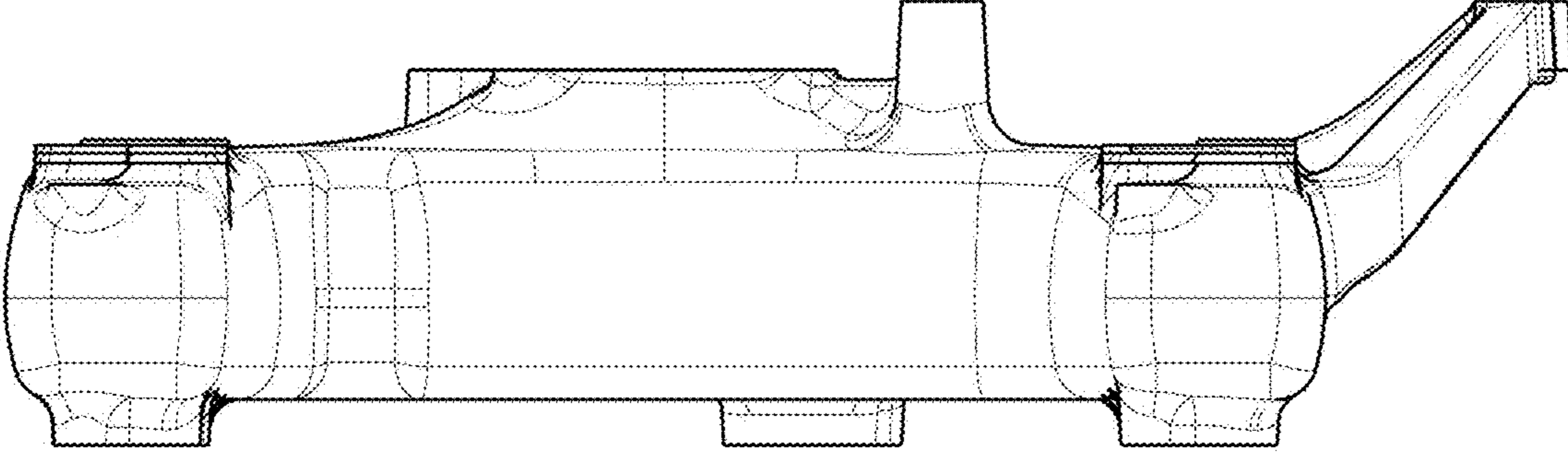


FIG. 3

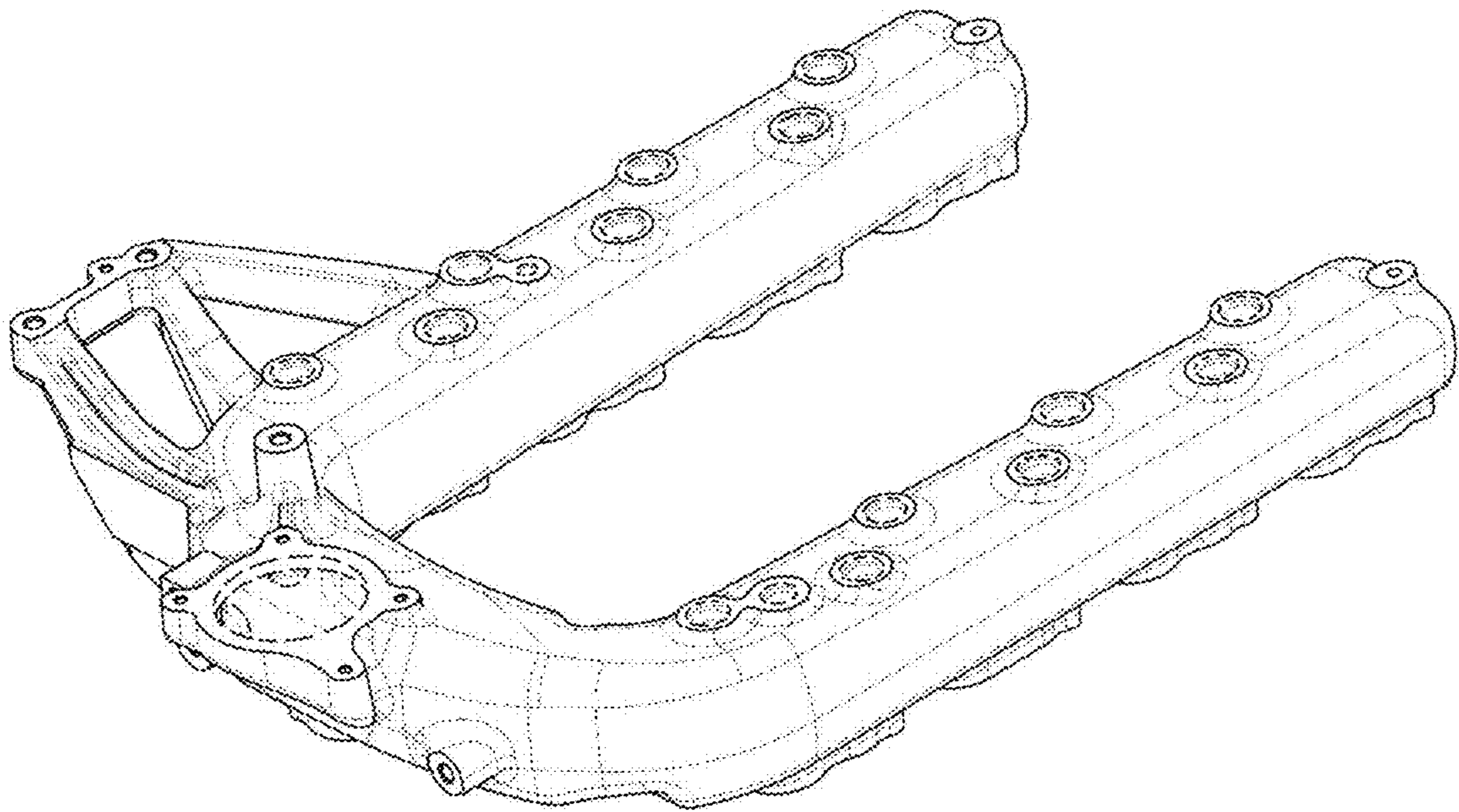


FIG. 4

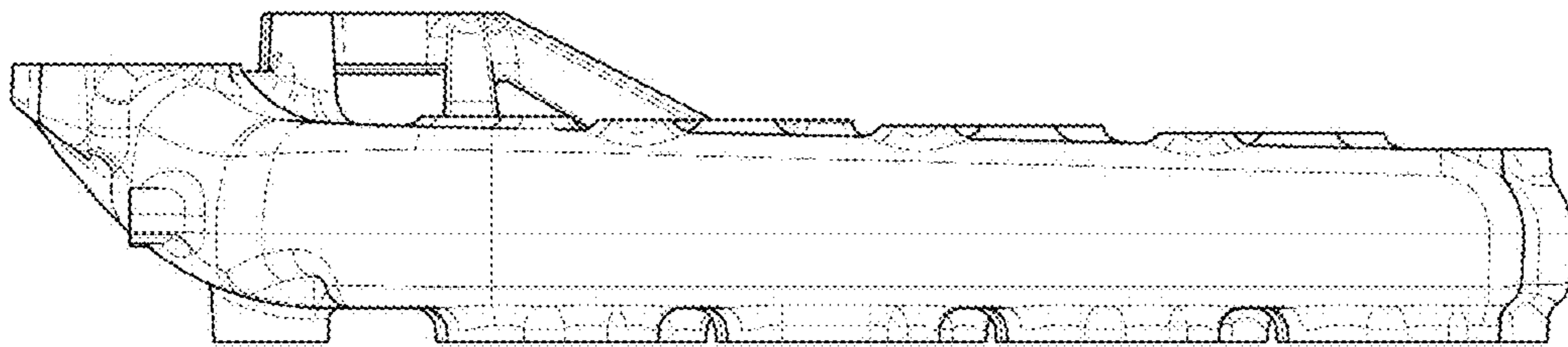


FIG. 5

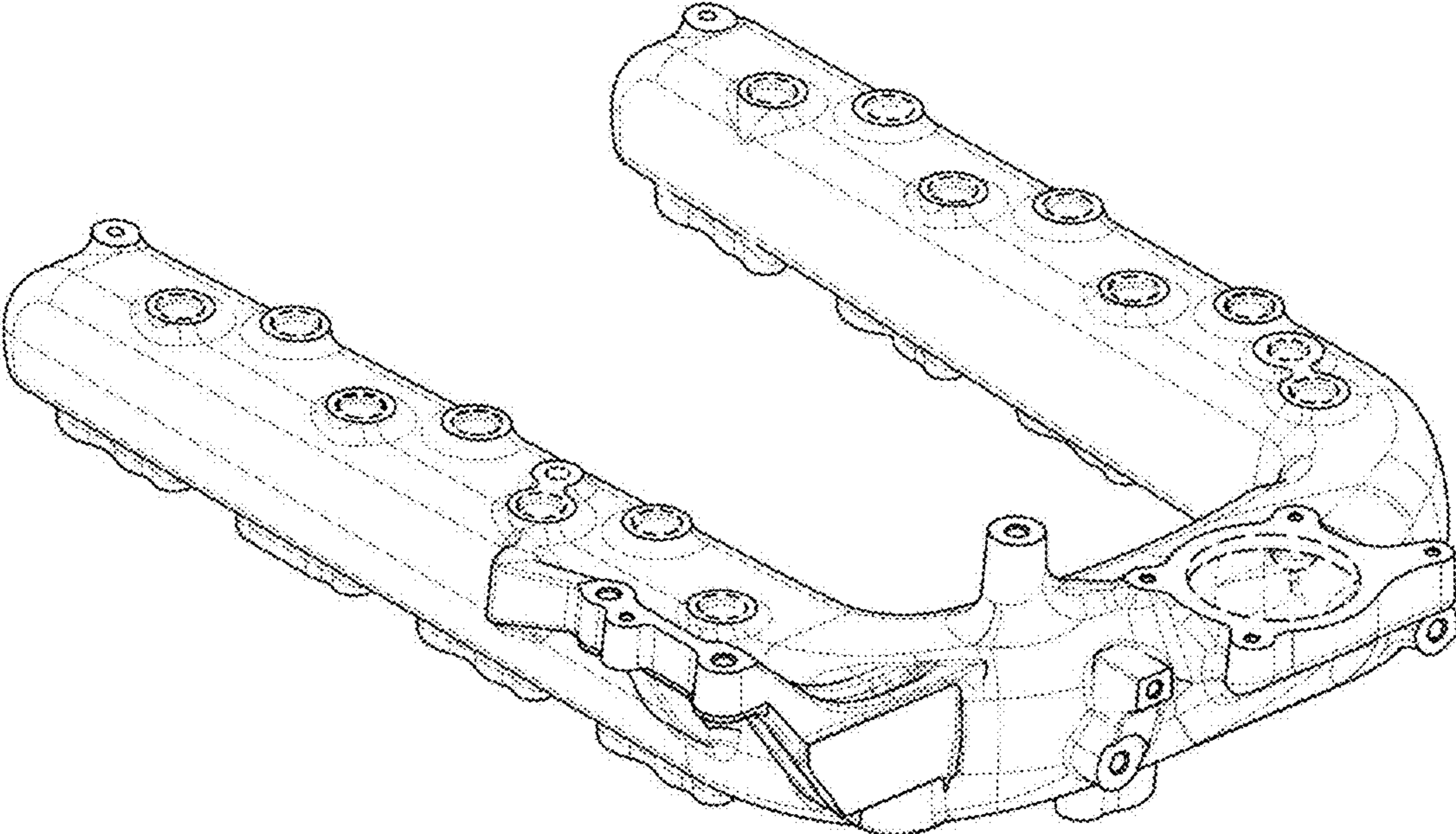


FIG. 6

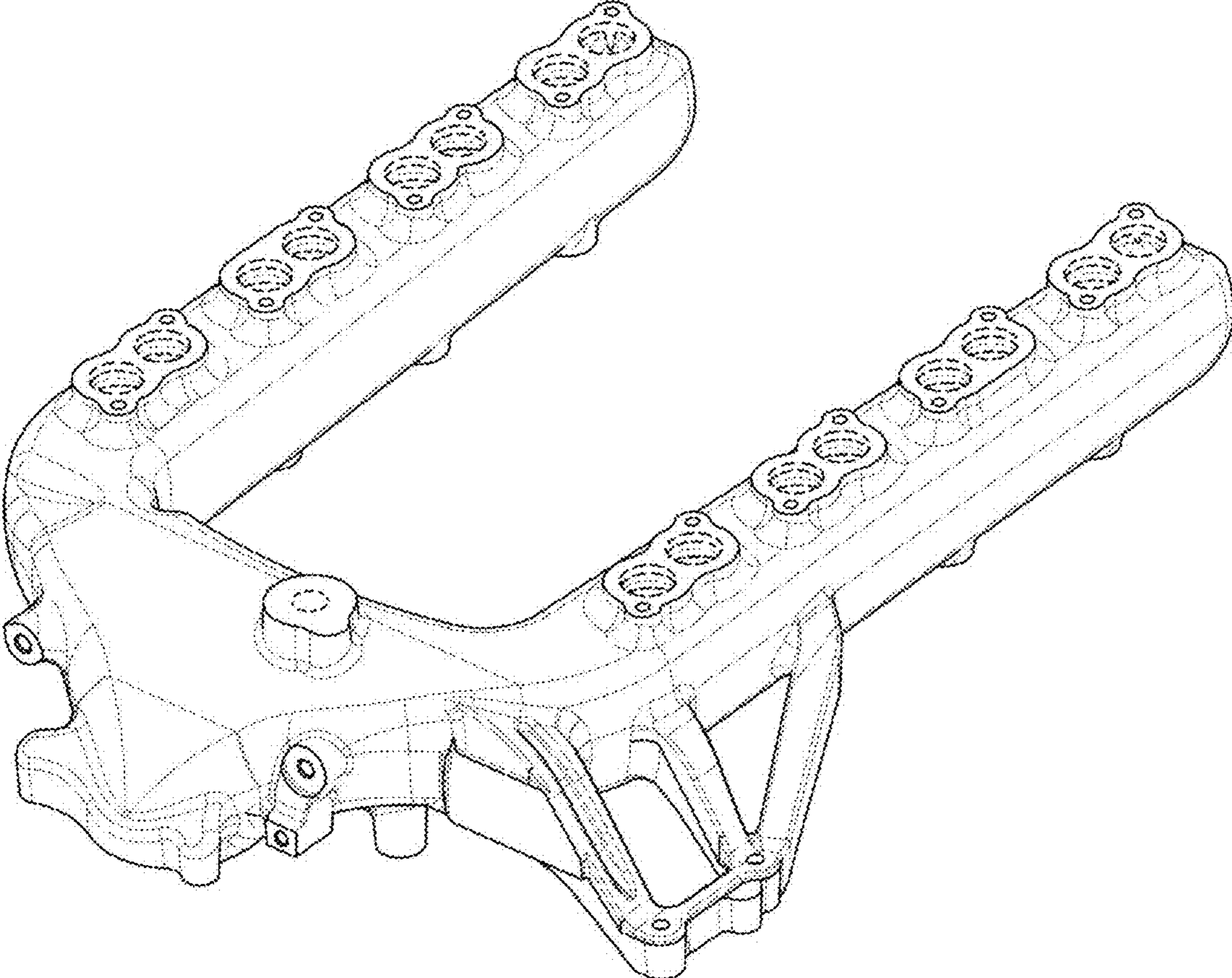


FIG. 7

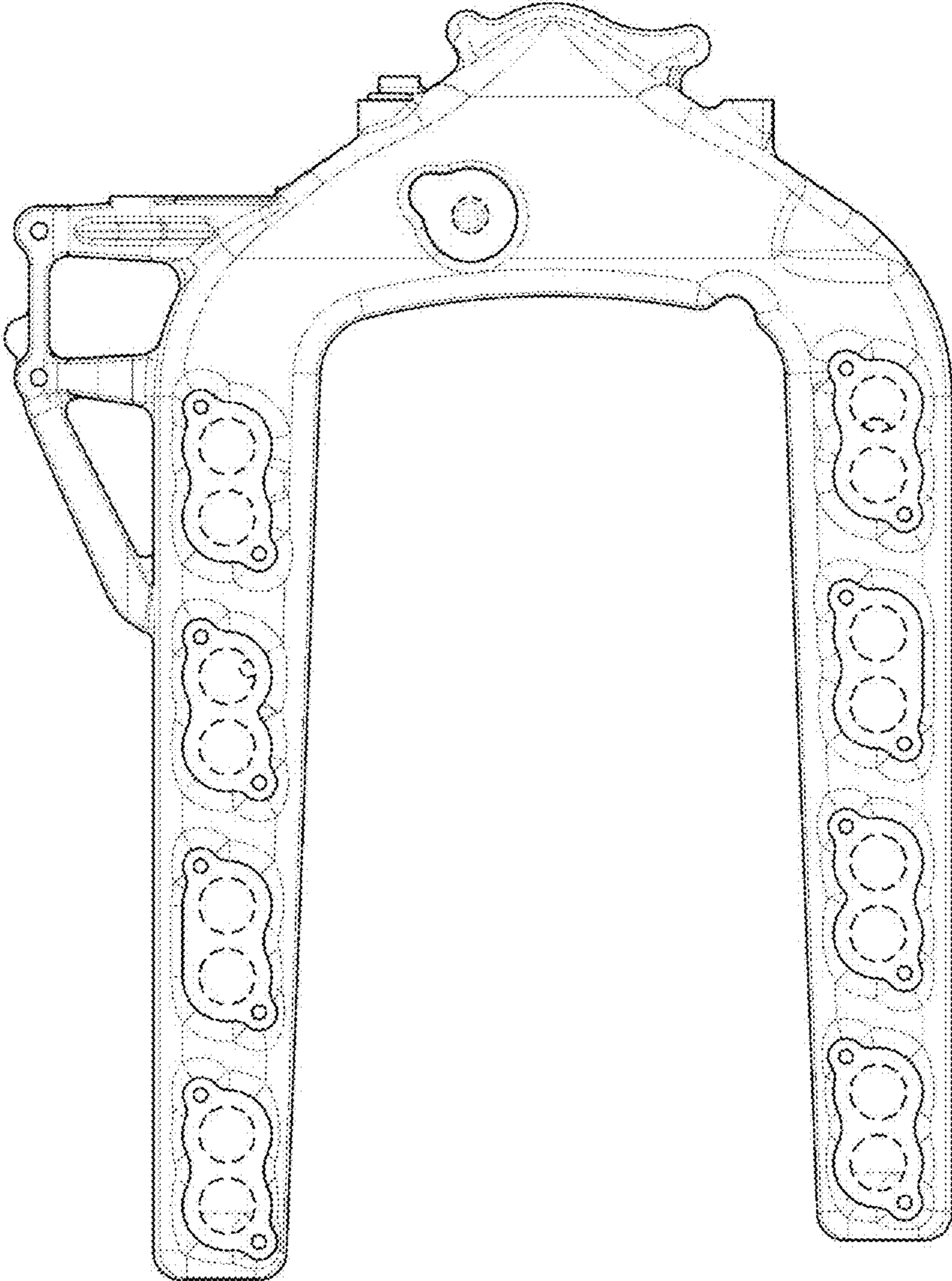


FIG. 8

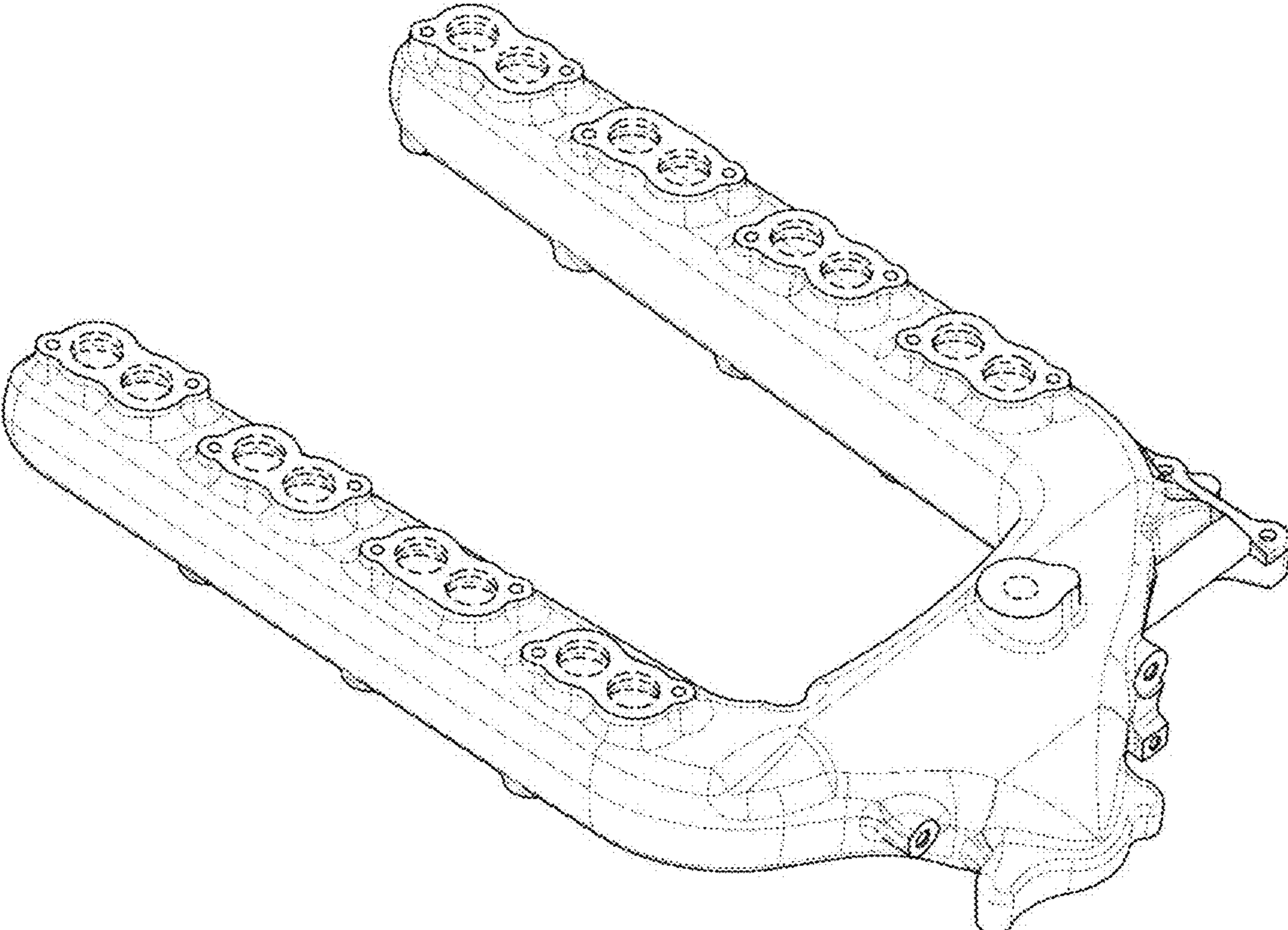


FIG. 9