



US00D839310S

(12) **United States Design Patent**  
**Alessandria**

(10) **Patent No.:** **US D839,310 S**  
(45) **Date of Patent:** **\*\* Jan. 29, 2019**

(54) **VALVE BRIDGE**

(71) Applicant: **Eaton Corporation**, Cleveland, OH (US)

(72) Inventor: **Marco Alessandria**, Trana (IT)

(73) Assignee: **Eaton Intelligent Power Limited**, Dublin (IE)

(\*\*) Term: **15 Years**

(21) Appl. No.: **29/539,213**

(22) Filed: **Sep. 11, 2015**

(51) **LOC (11) Cl.** ..... **15-01**

(52) **U.S. Cl.**  
USPC ..... **D15/5**

(58) **Field of Classification Search**  
USPC ..... D15/1-6

(Continued)

(56) **References Cited**

U.S. PATENT DOCUMENTS

1,512,900 A \* 10/1924 Bergeron ..... F01L 1/16  
123/90.19  
2,036,936 A \* 4/1936 Halford ..... F01L 1/2411  
123/90.46

(Continued)

*Primary Examiner* — T Chase Nelson

*Assistant Examiner* — Ania K Aman

(74) *Attorney, Agent, or Firm* — RMCK Law Group PLC

(57) **CLAIM**

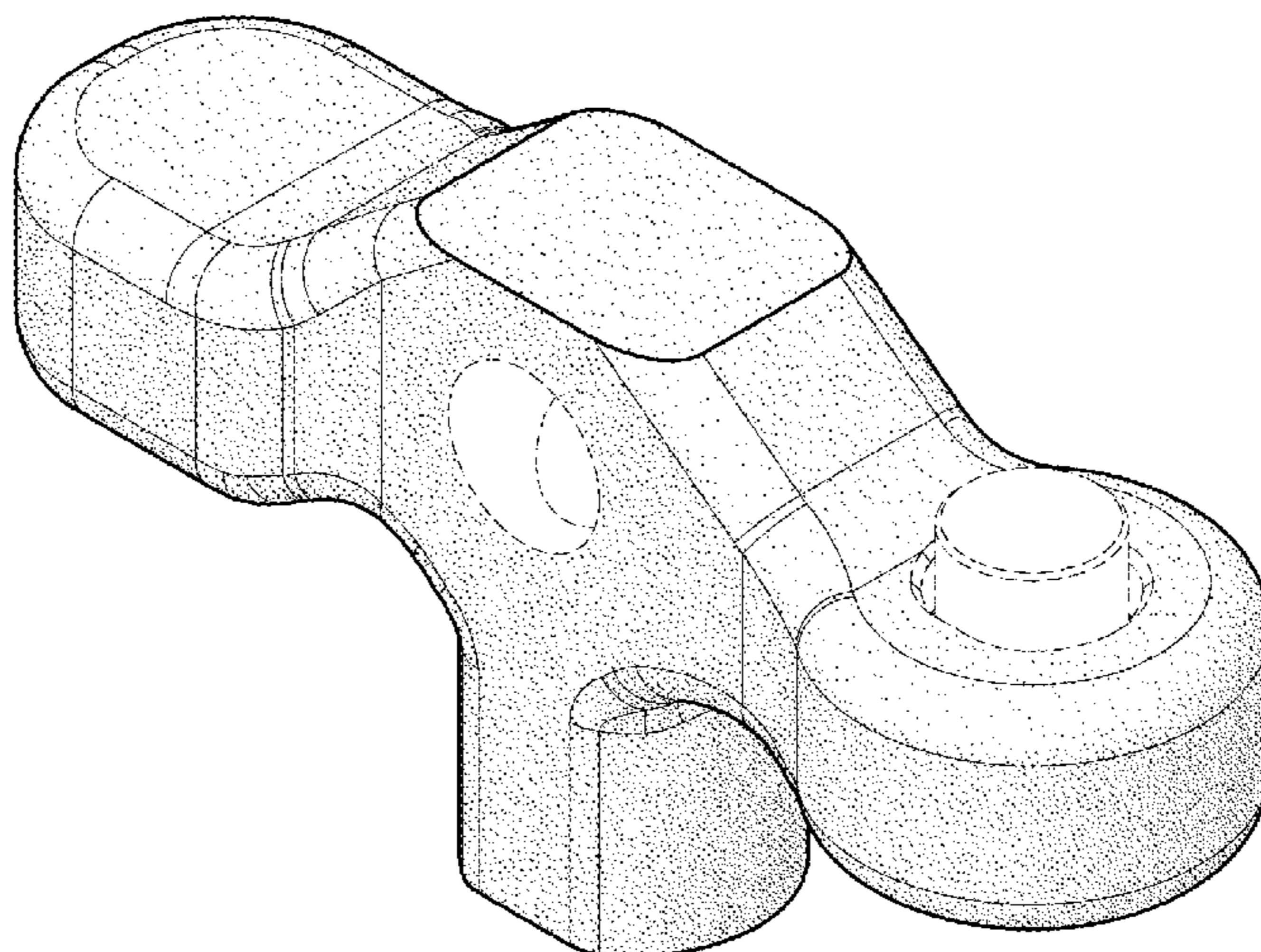
The ornamental design for a valve bridge, as shown and described.

**DESCRIPTION**

FIG. 1 is a perspective view of a valve bridge showing the new design.

FIG. 2 is a first side view of the valve bridge of FIG. 1. FIG. 3 is a second side view of the valve bridge of FIG. 1. FIG. 4 is a top view of the valve bridge of FIG. 1. FIG. 5 is a bottom view of the valve bridge of FIG. 1. FIG. 6 is a front view of the valve bridge of FIG. 1. FIG. 7 is a rear view of the valve bridge of FIG. 1. FIG. 8 is a perspective view of a second embodiment of a valve bridge showing the new design. FIG. 9 is a first side view of the second embodiment of the valve bridge of FIG. 8. FIG. 10 is a second side view of the second embodiment of the valve bridge of FIG. 8. FIG. 11 is a top view of the second embodiment of the valve bridge of FIG. 8. FIG. 12 is a bottom view of the second embodiment of the valve bridge of FIG. 8. FIG. 13 is a front view of the second embodiment of the valve bridge of FIG. 8. FIG. 14 is a rear view of the second embodiment of the valve bridge of FIG. 8. FIG. 15 is a perspective view of a third embodiment of a valve bridge showing the new design. FIG. 16 is a first side view of the third embodiment of the valve bridge of FIG. 15. FIG. 17 is a second side view of the third embodiment of the valve bridge of FIG. 15. FIG. 18 is a top view of the third embodiment of the valve bridge of FIG. 15. FIG. 19 is a bottom view of the third embodiment of the valve bridge of FIG. 15. FIG. 20 is a front view of the third embodiment of the valve bridge of FIG. 15; and, FIG. 21 is a rear view of the third embodiment of the valve bridge of FIG. 15. The accompanying drawings also form a part of the specification. Any portion of the valve bridge shown in broken lines is for the purpose of illustrating environmental structure and forms no part of the claimed design.

**1 Claim, 9 Drawing Sheets**



(58) **Field of Classification Search**  
 CPC ..... F01L 1/26; F01L 3/08; F01L 3/24; F01L  
 1/24; F01L 1/2411; F01L 1/143; F01L  
 1/181; F01L 1/25; F01L 13/065; F01L  
 1/18; F01L 1/267; F01L 13/06; F01L  
 1/245; F01L 1/12; F01M 9/106; F02D  
 13/04

See application file for complete search history.

(56) **References Cited**

U.S. PATENT DOCUMENTS

2,505,128 A \* 4/1950 MacPherson ..... F01L 3/08  
 123/90.37  
 3,527,263 A \* 9/1970 Druzynski ..... F01L 1/12  
 123/470  
 4,183,252 A \* 1/1980 Sossin ..... F01L 1/18  
 123/90.39  
 4,677,723 A \* 7/1987 Greene, Sr. .... F01L 1/2411  
 123/90.22  
 6,178,946 B1 1/2001 Matthews et al.  
 6,234,143 B1 5/2001 Bartel et al.  
 6,253,730 B1 7/2001 Gustafson  
 6,474,296 B2 11/2002 Cornell et al.  
 6,732,686 B1 5/2004 Maeda et al.  
 RE39,258 E 9/2006 Cosma et al.  
 7,392,772 B2 7/2008 Janak et al.  
 7,600,497 B2 10/2009 Vanderpoel  
 7,712,449 B1 5/2010 Schworer  
 7,823,553 B2 11/2010 Meistrick  
 7,882,810 B2 2/2011 Vanderpoel et al.  
 8,210,144 B2 \* 7/2012 Langewisch ..... F01L 1/14  
 123/321  
 8,230,831 B2 7/2012 Persson et al.  
 8,528,508 B2 9/2013 Meistrick et al.  
 8,627,791 B2 1/2014 Janak et al.

8,820,276 B2 9/2014 Vorih et al.  
 8,851,048 B2 10/2014 Meistrick  
 8,863,726 B2 10/2014 Ruggiero et al.  
 8,936,006 B2 1/2015 Groth et al.  
 8,991,341 B2 3/2015 Forestier  
 9,016,249 B2 4/2015 Roberts et al.  
 9,068,748 B2 6/2015 Hoke  
 9,115,654 B2 8/2015 Schnell  
 D747,359 S \* 1/2016 Nichols ..... D15/5  
 9,631,522 B2 \* 4/2017 Cyborski ..... F01L 1/26  
 9,732,643 B2 \* 8/2017 Yang ..... F01L 13/065  
 2002/0033154 A1 \* 3/2002 Hirano ..... F01L 1/181  
 123/90.41  
 2003/0079705 A1 \* 5/2003 Lutz ..... F01L 1/18  
 123/90.39  
 2007/0151532 A1 \* 7/2007 Vaseleniuck ..... F01L 1/181  
 123/90.16  
 2009/0288626 A1 \* 11/2009 Langewisch ..... F01L 1/14  
 123/90.46  
 2012/0060955 A1 \* 3/2012 Zhu ..... F01L 1/26  
 137/798  
 2013/0269652 A1 10/2013 Toth  
 2013/0269653 A1 10/2013 Yang  
 2014/0020644 A1 1/2014 Roberts et al.  
 2014/0020654 A1 1/2014 Yang  
 2014/0326212 A1 \* 11/2014 Baltrucki ..... F01L 1/18  
 123/321  
 2015/0021508 A1 \* 1/2015 Nair ..... F01L 1/2411  
 251/366  
 2015/0144096 A1 5/2015 Meneely et al.  
 2016/0084122 A1 \* 3/2016 Baltrucki ..... F01L 9/023  
 123/90.12  
 2016/0201523 A1 \* 7/2016 Cyborski ..... F01L 1/26  
 123/90.33  
 2017/0107871 A1 \* 4/2017 Kim ..... F01L 13/0021  
 2017/0167319 A1 \* 6/2017 Kim ..... F01L 13/0015

\* cited by examiner

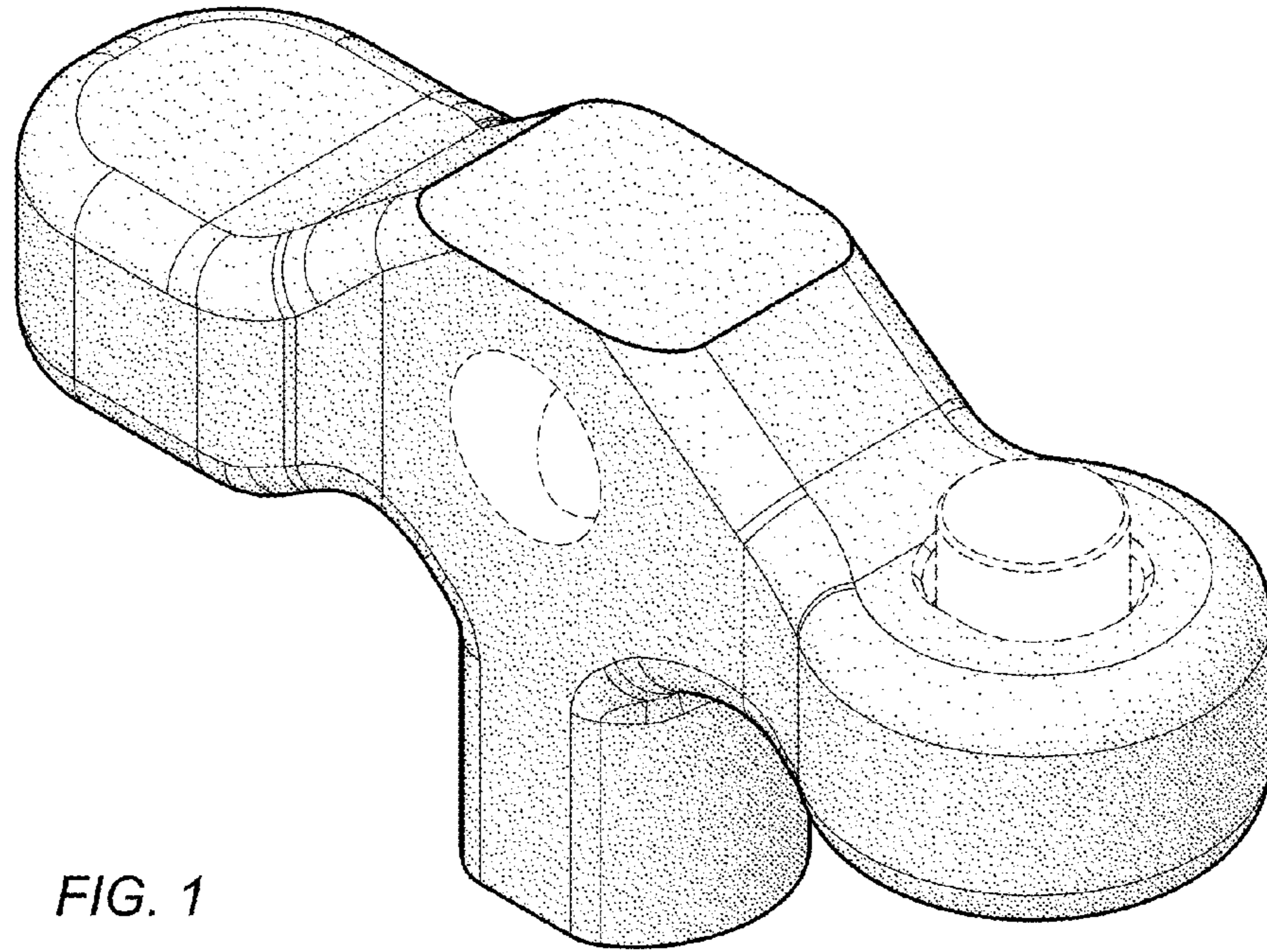


FIG. 1

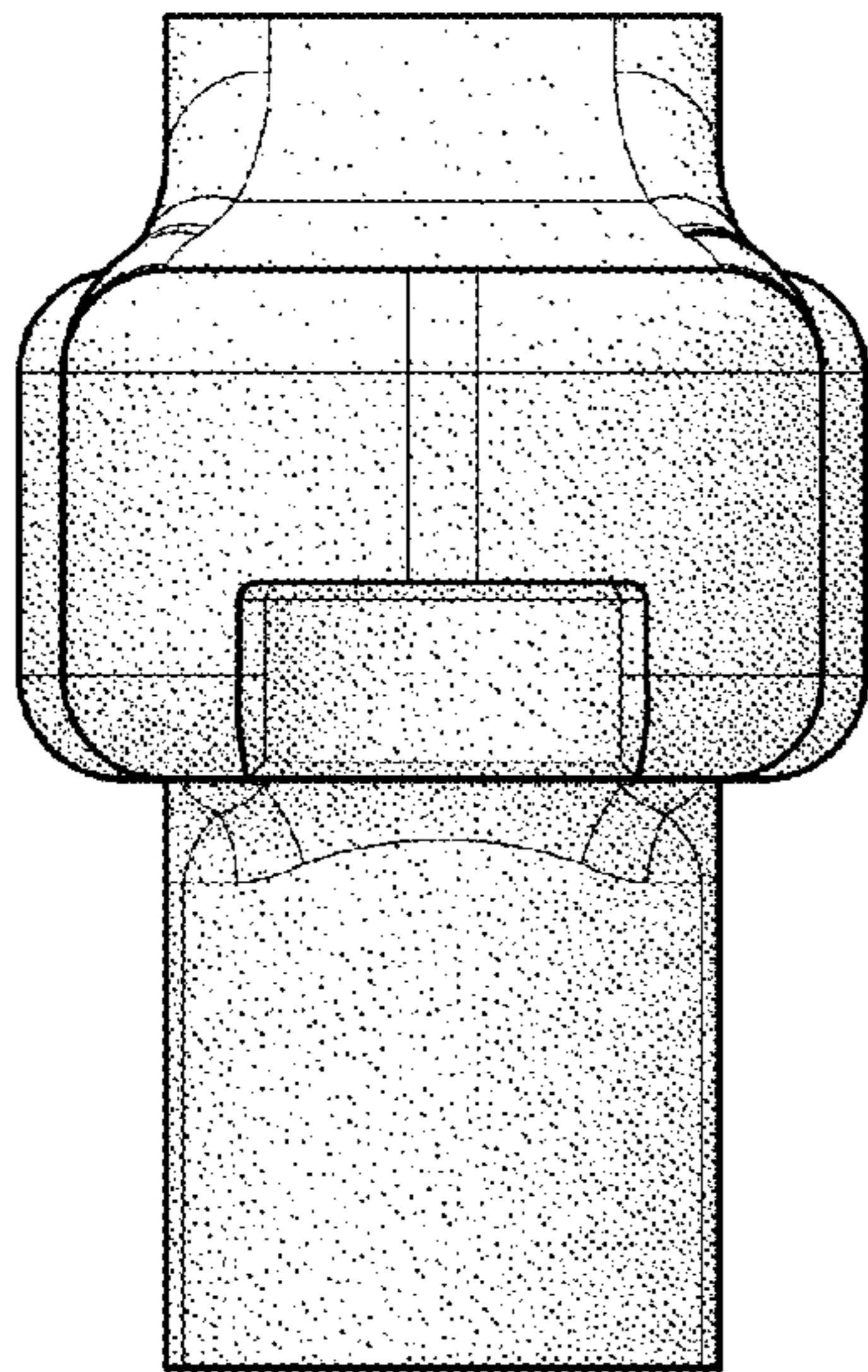


FIG. 2

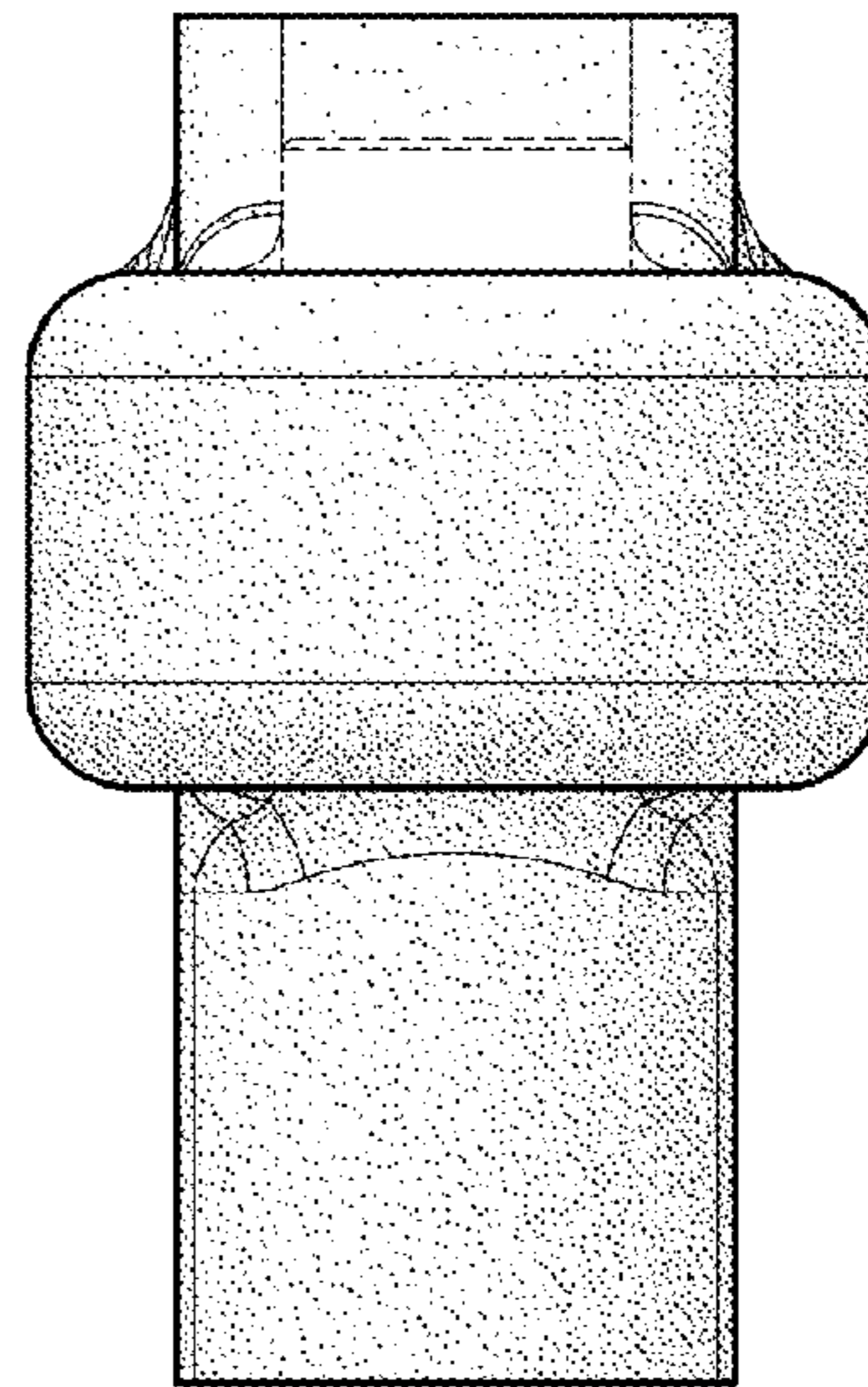


FIG. 3

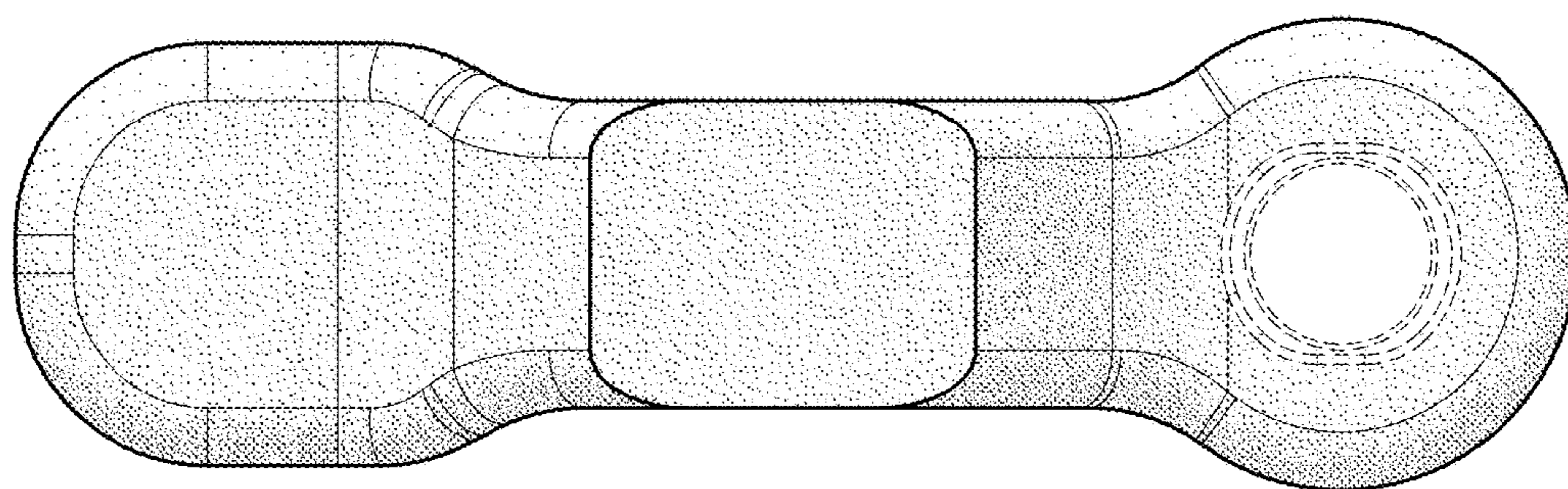


FIG. 4

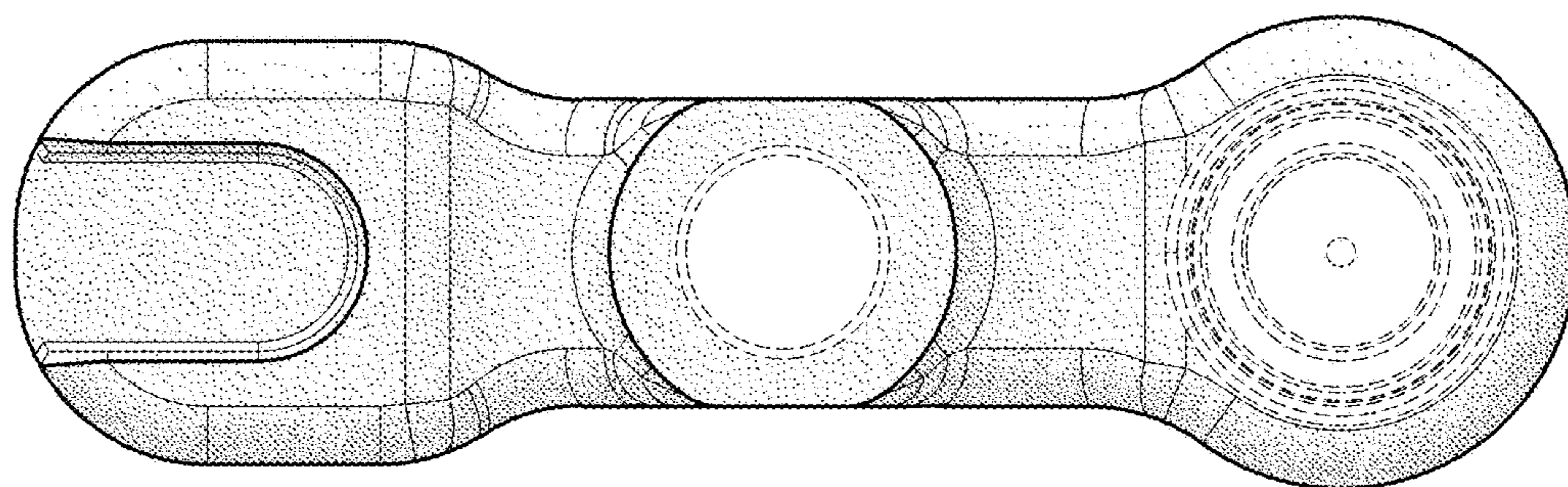


FIG. 5

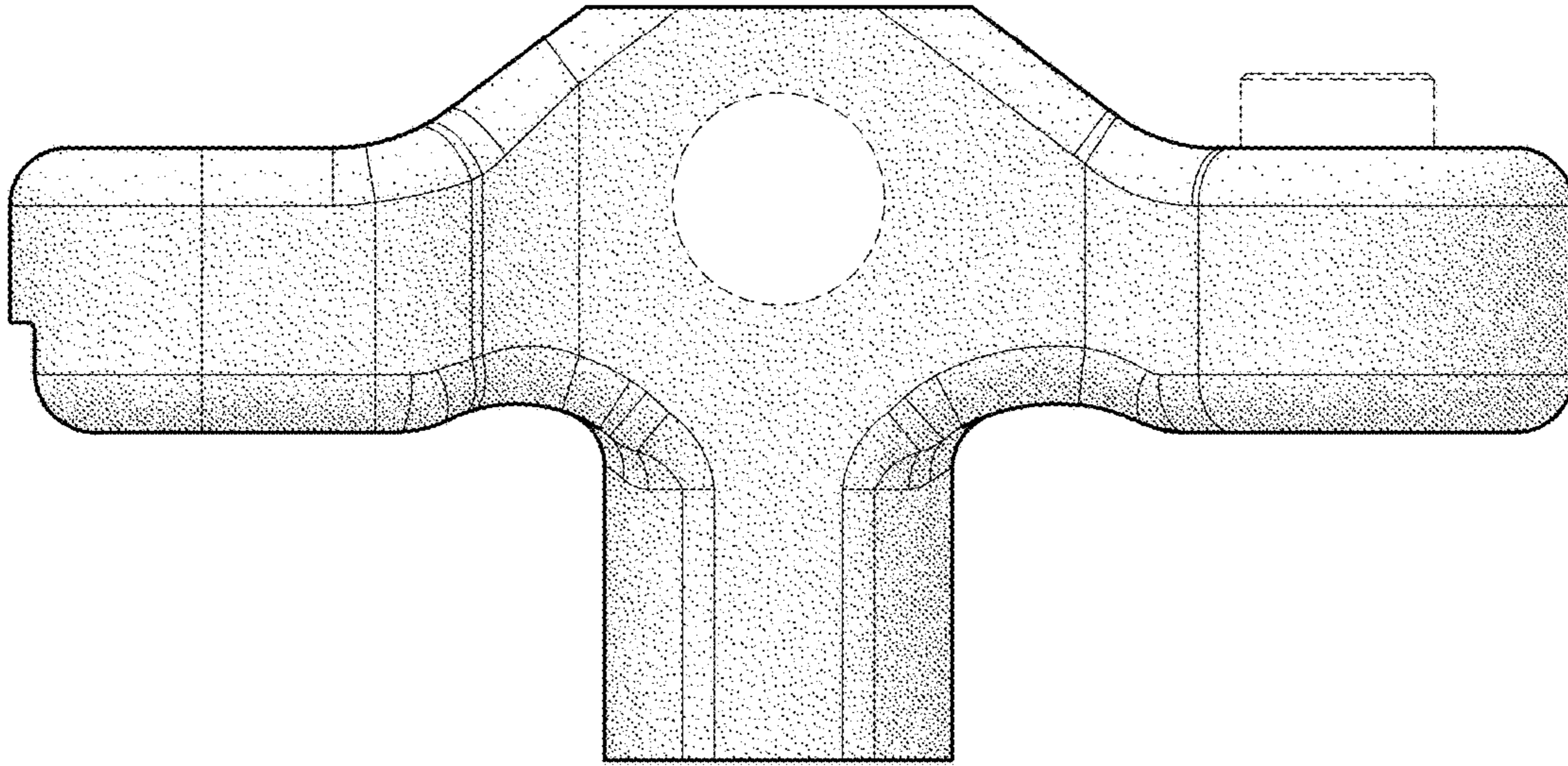


FIG. 6

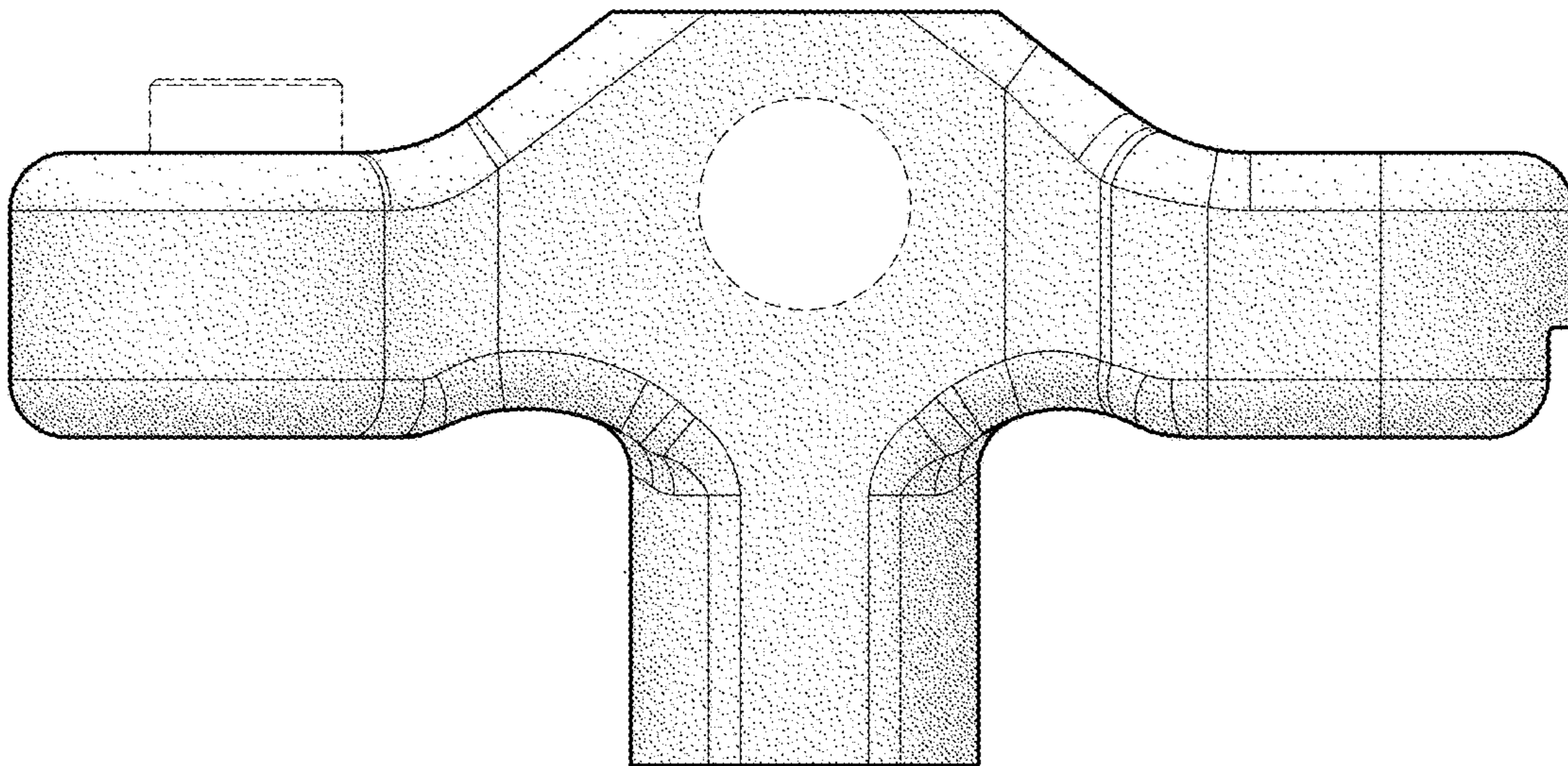


FIG. 7

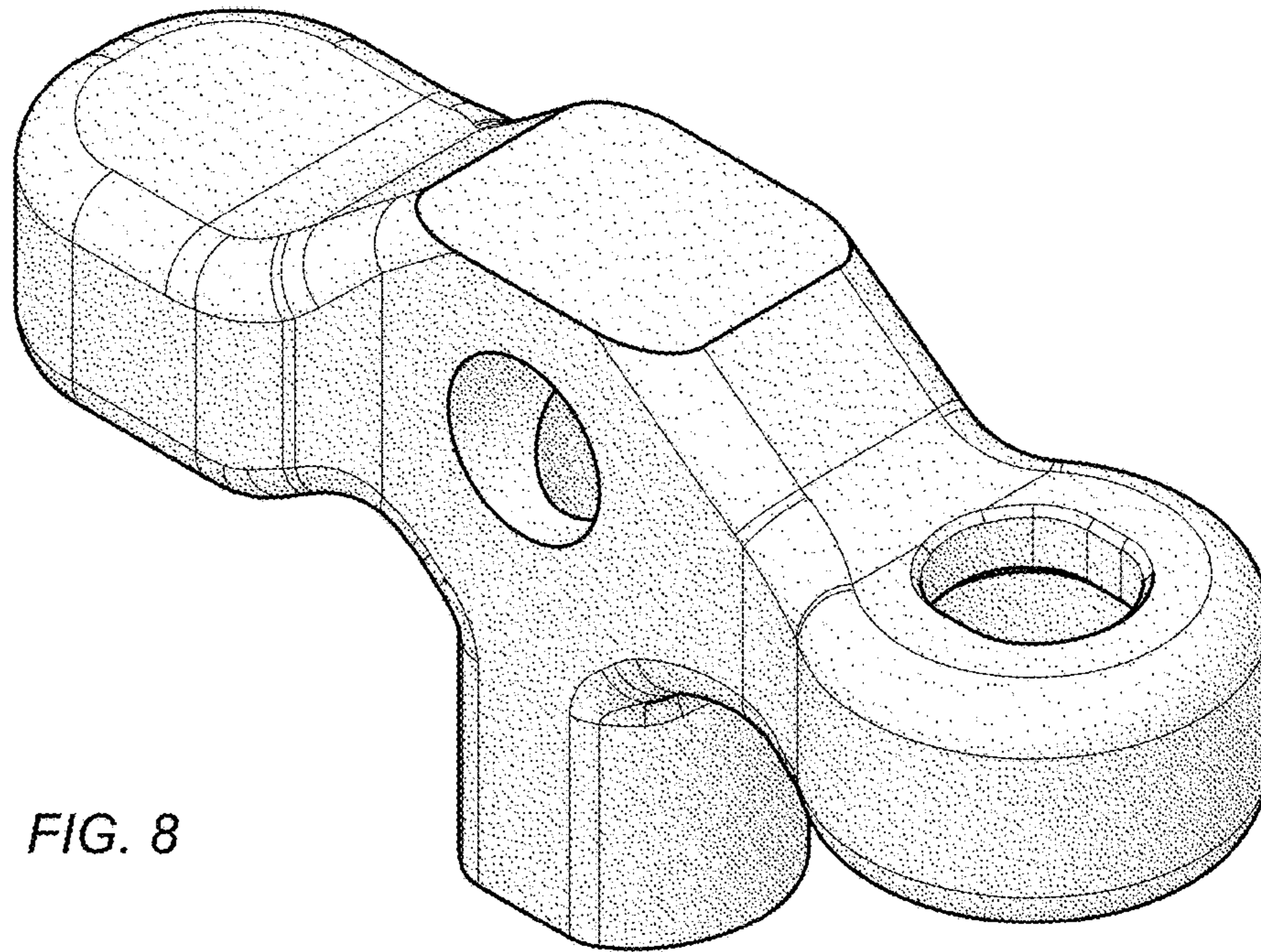


FIG. 8

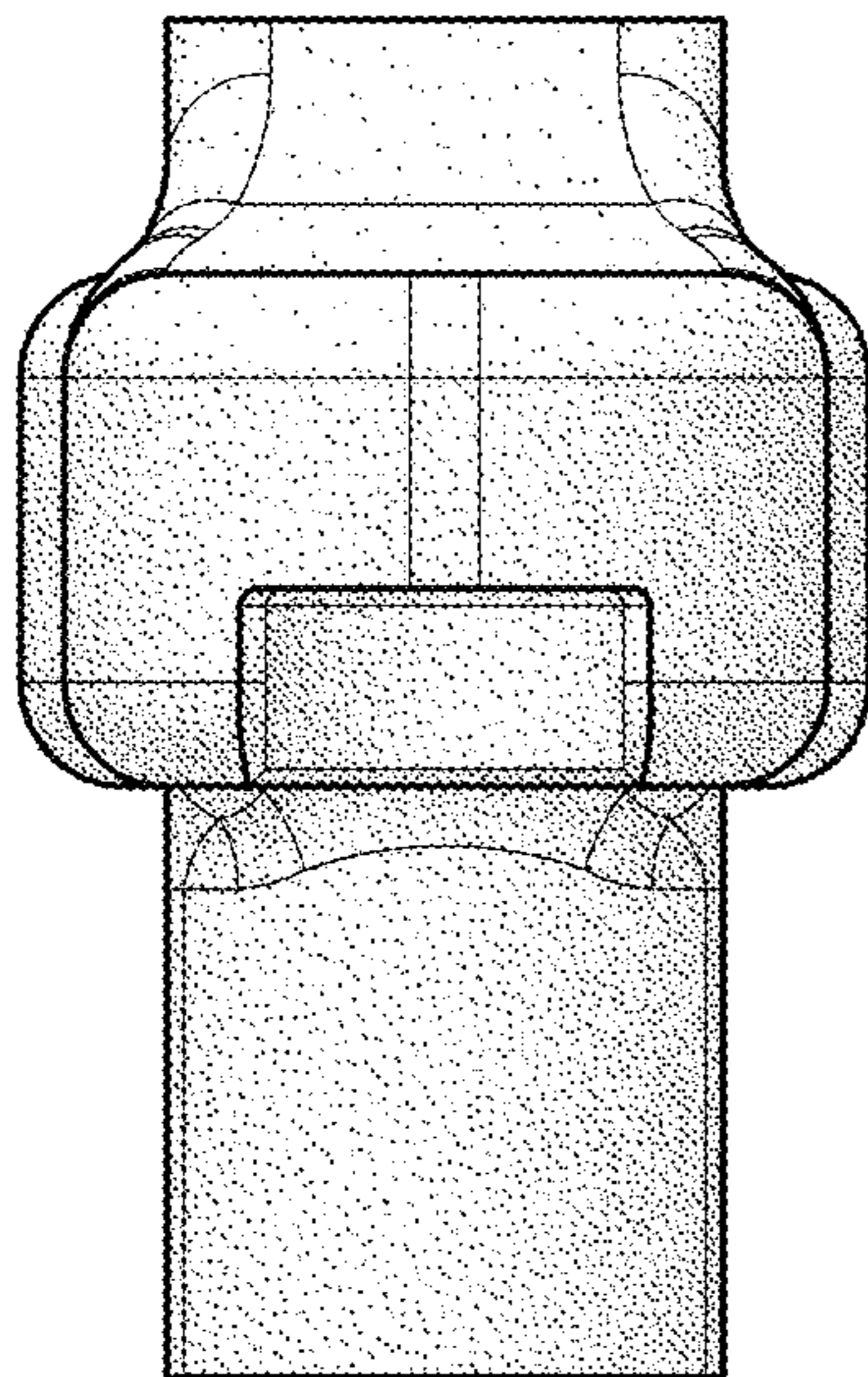


FIG. 9

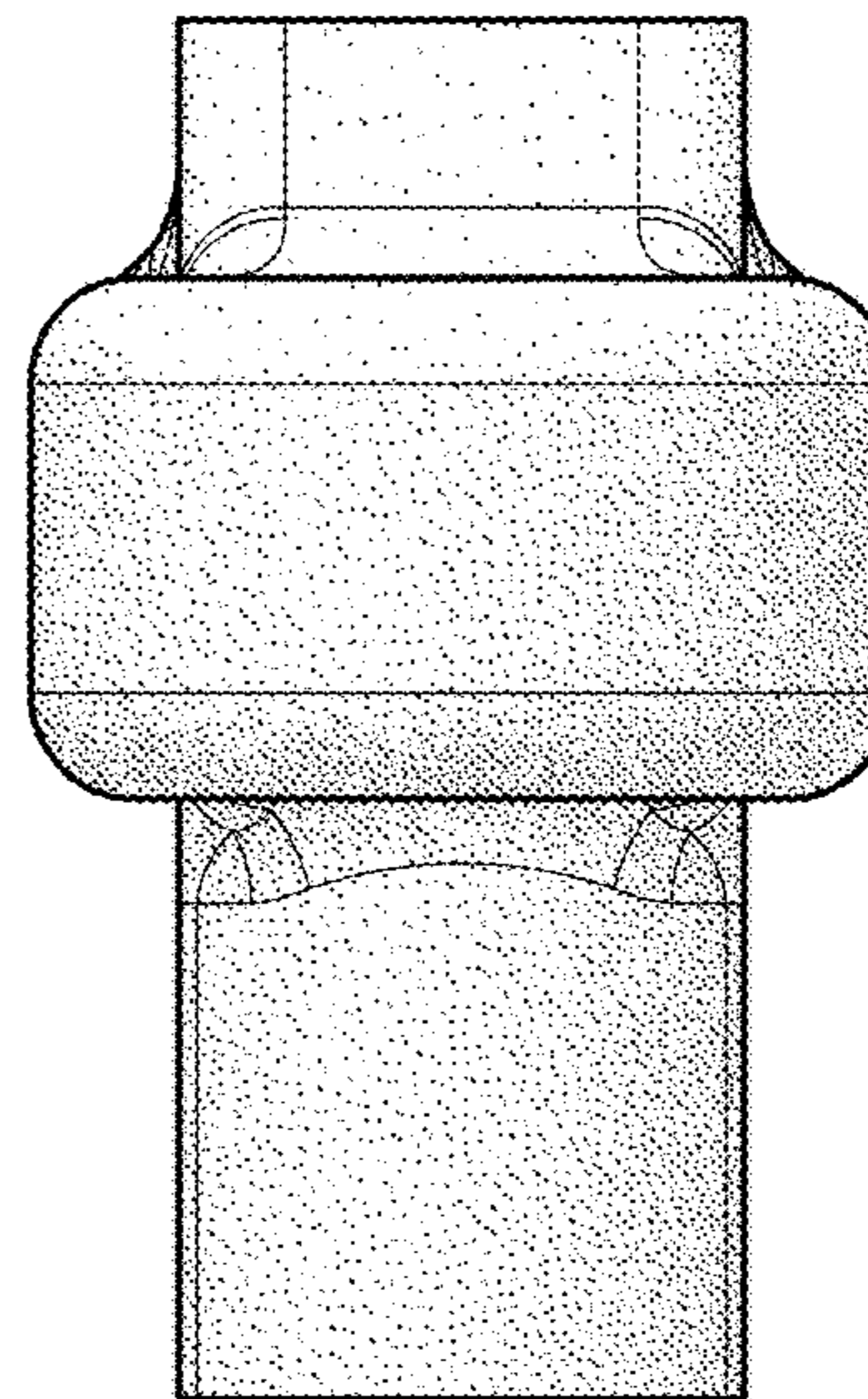


FIG. 10

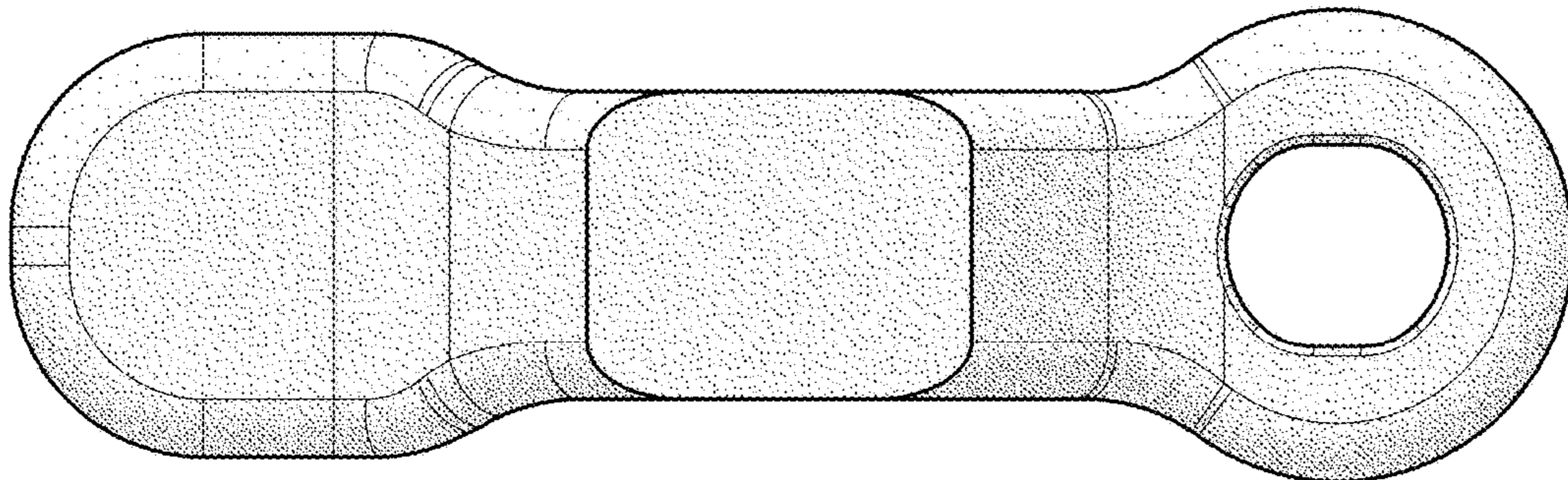


FIG. 11

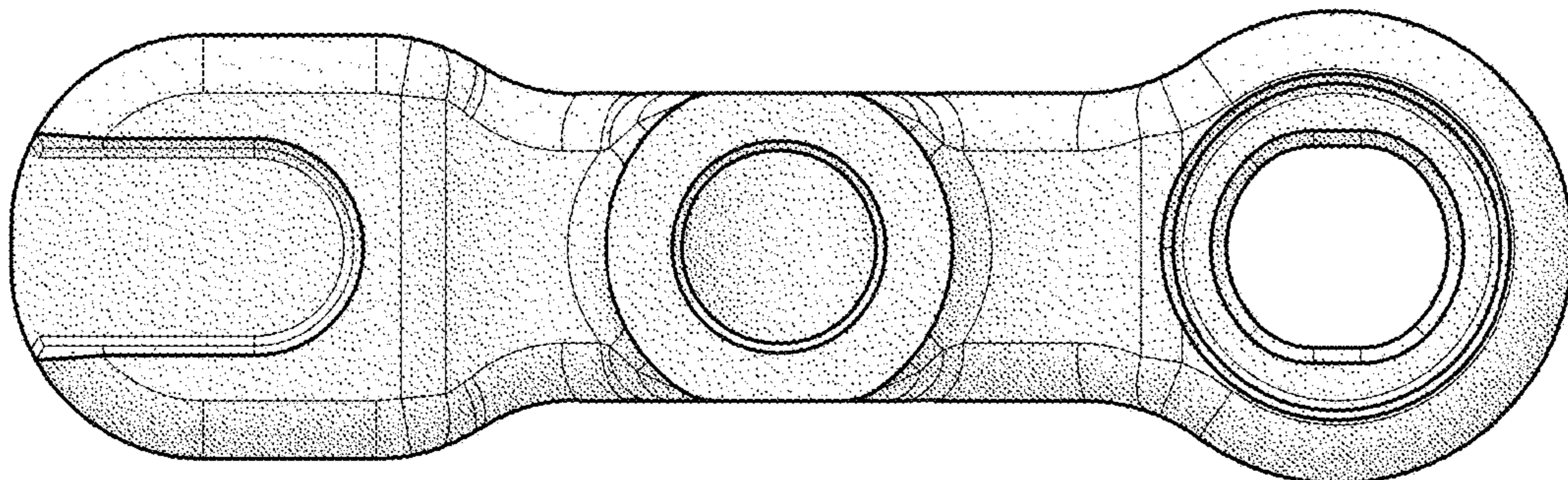


FIG. 12

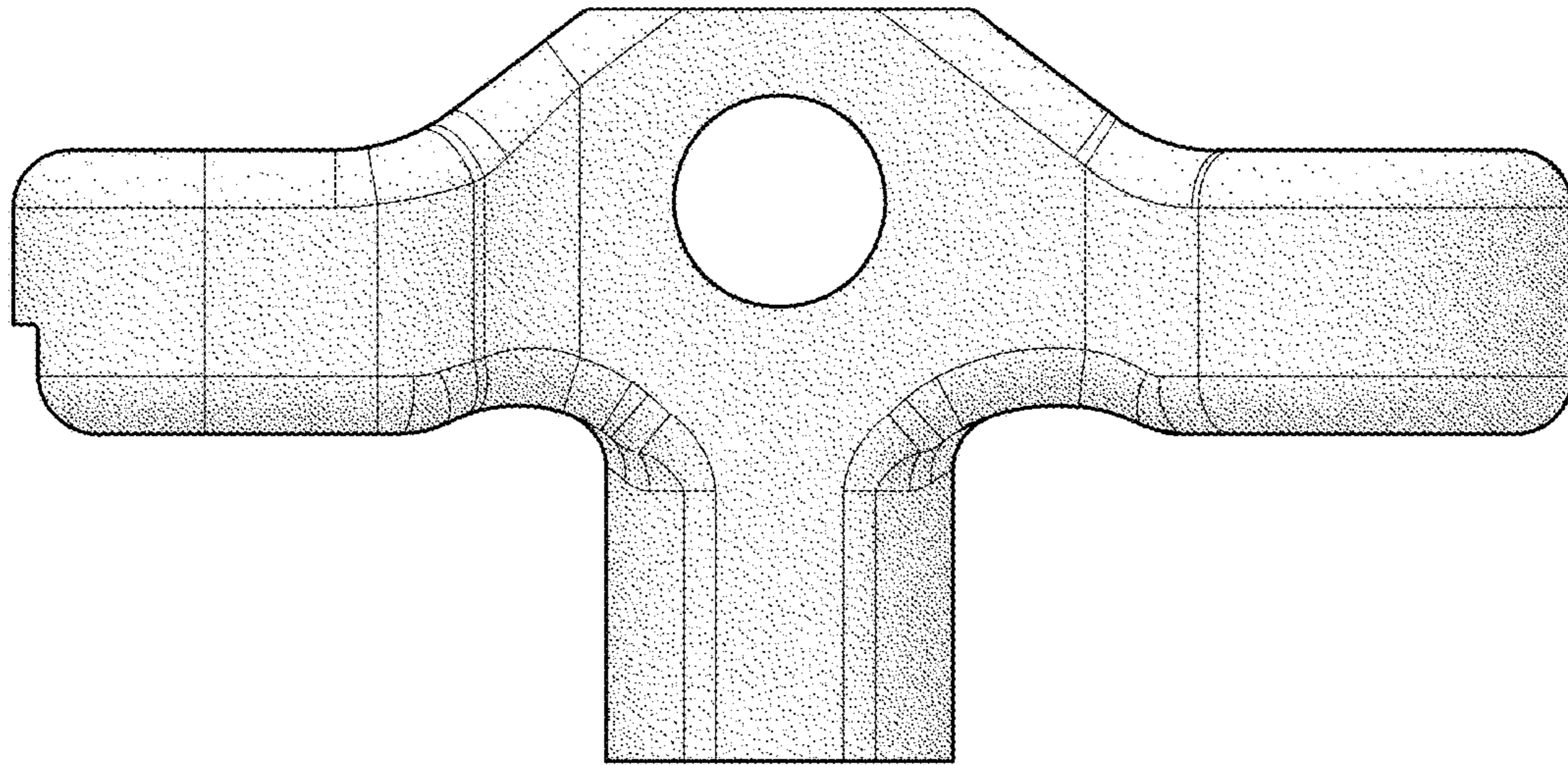


FIG. 13

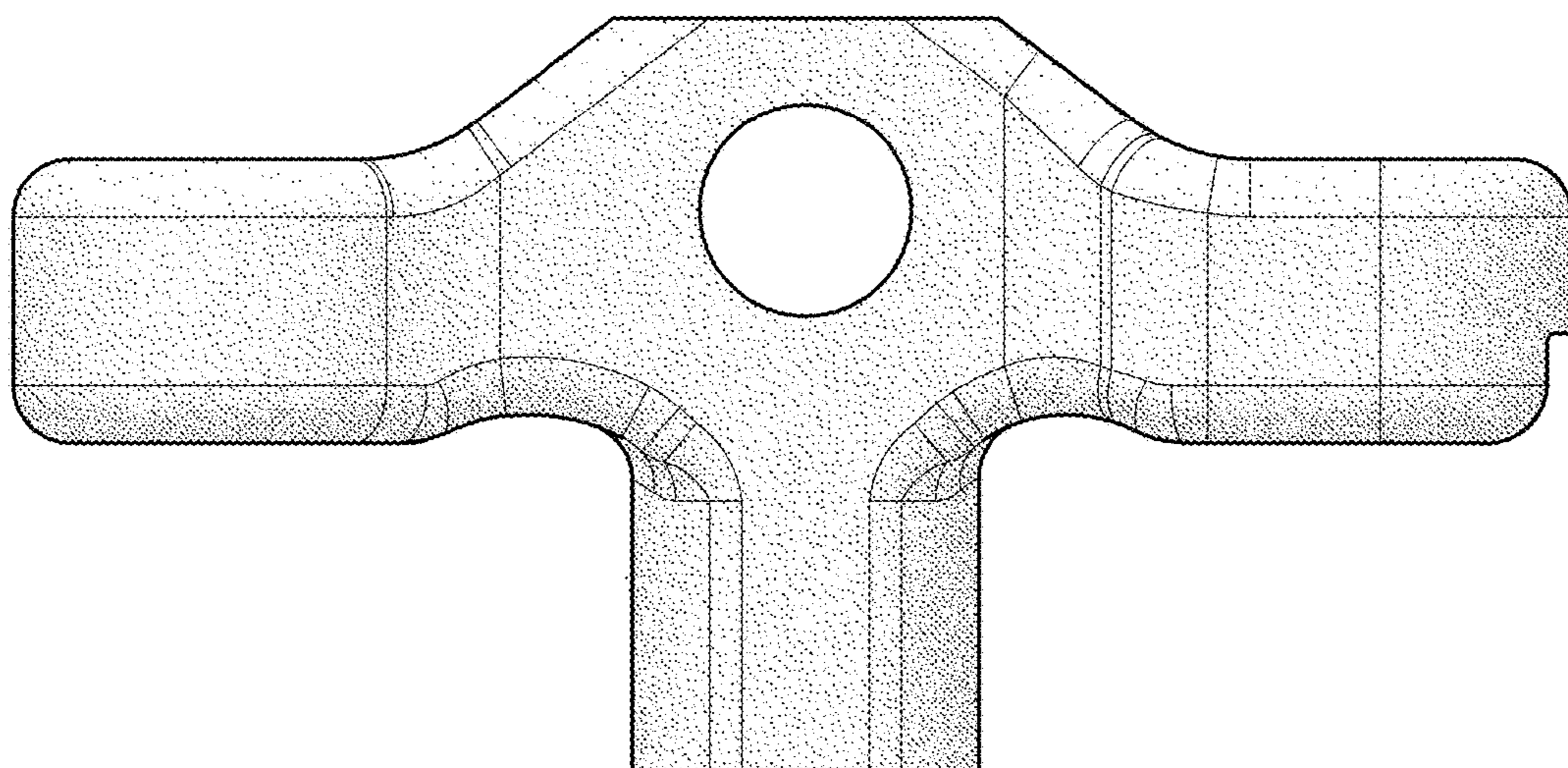


FIG. 14



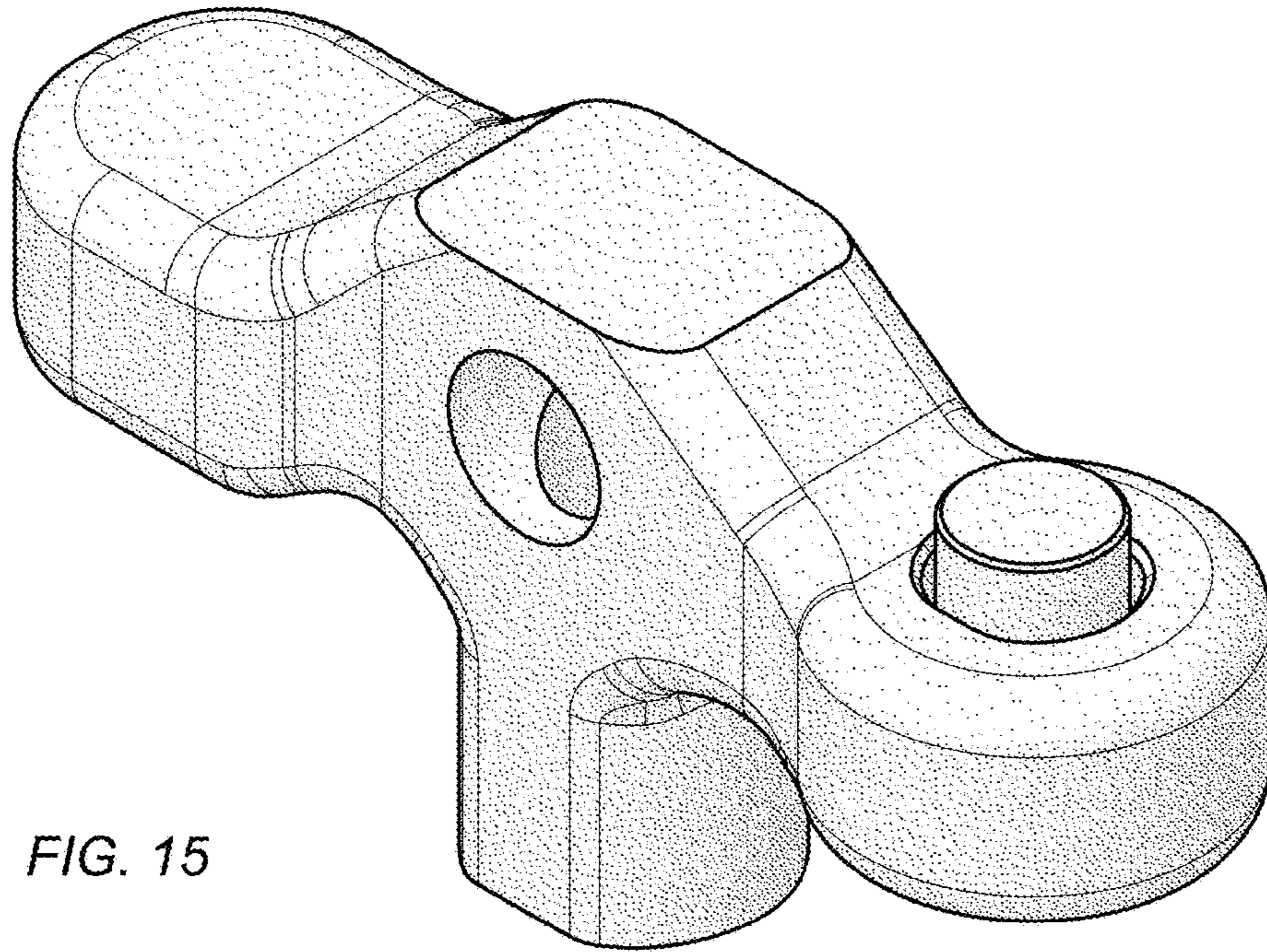


FIG. 15

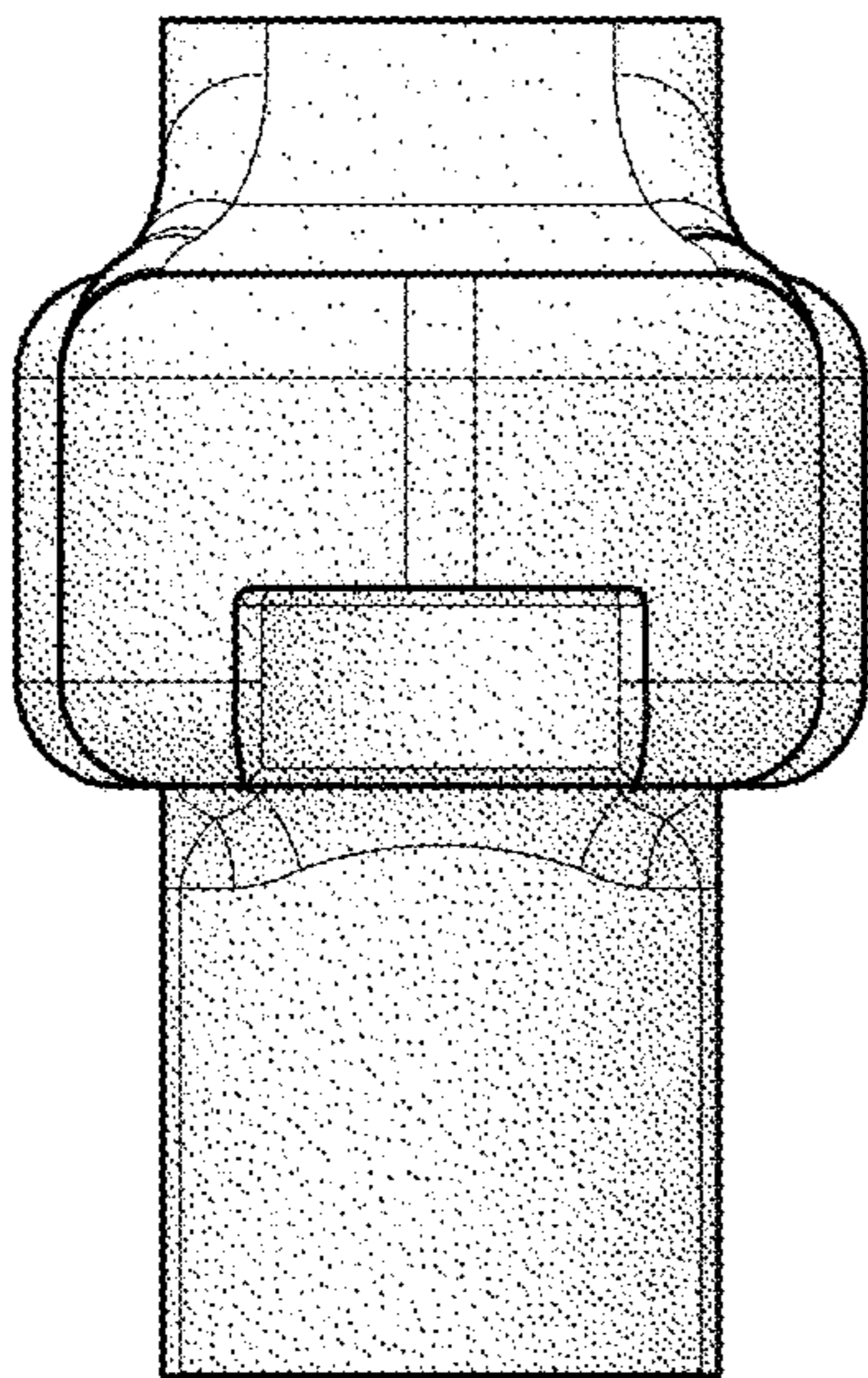


FIG. 16

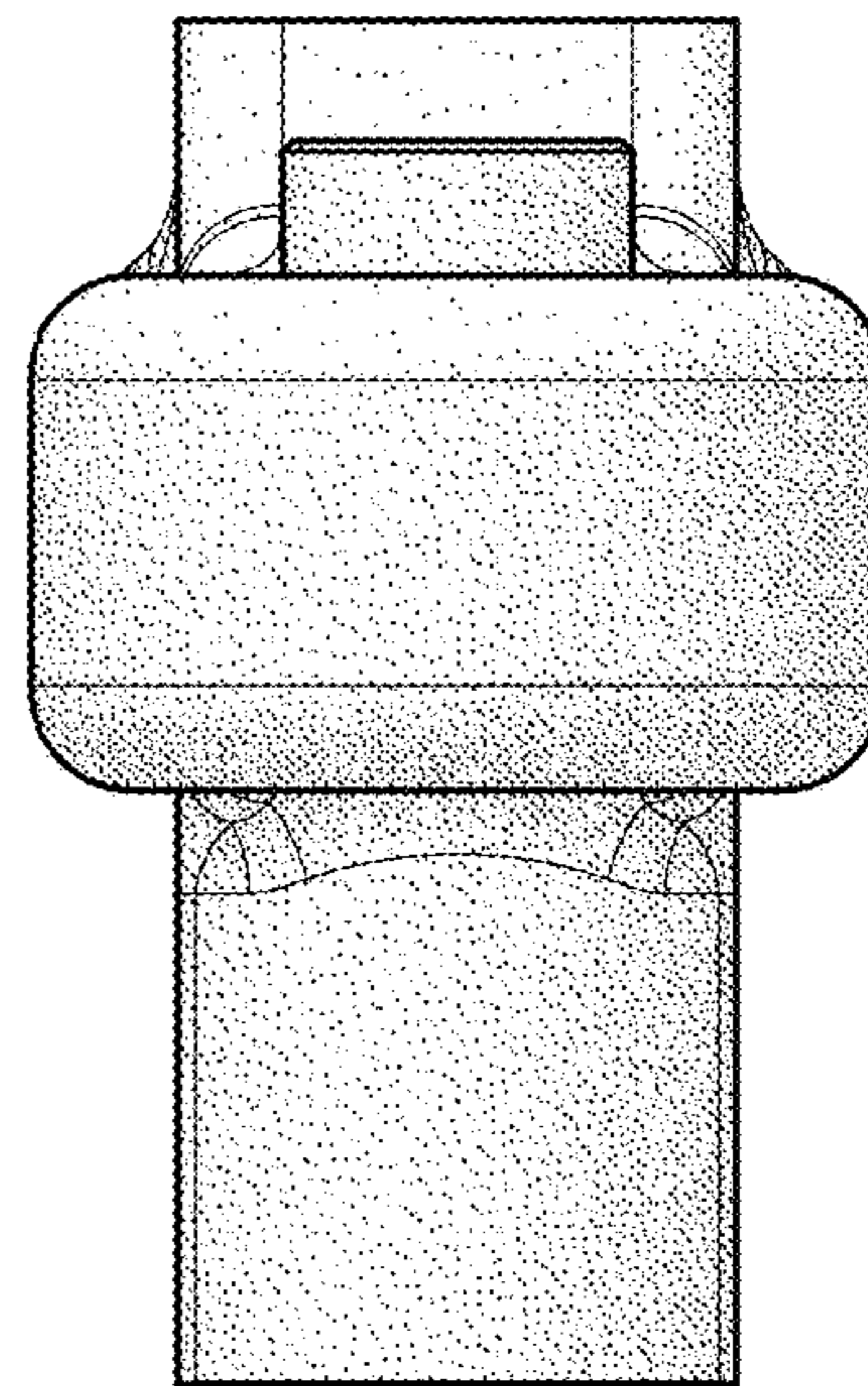


FIG. 17

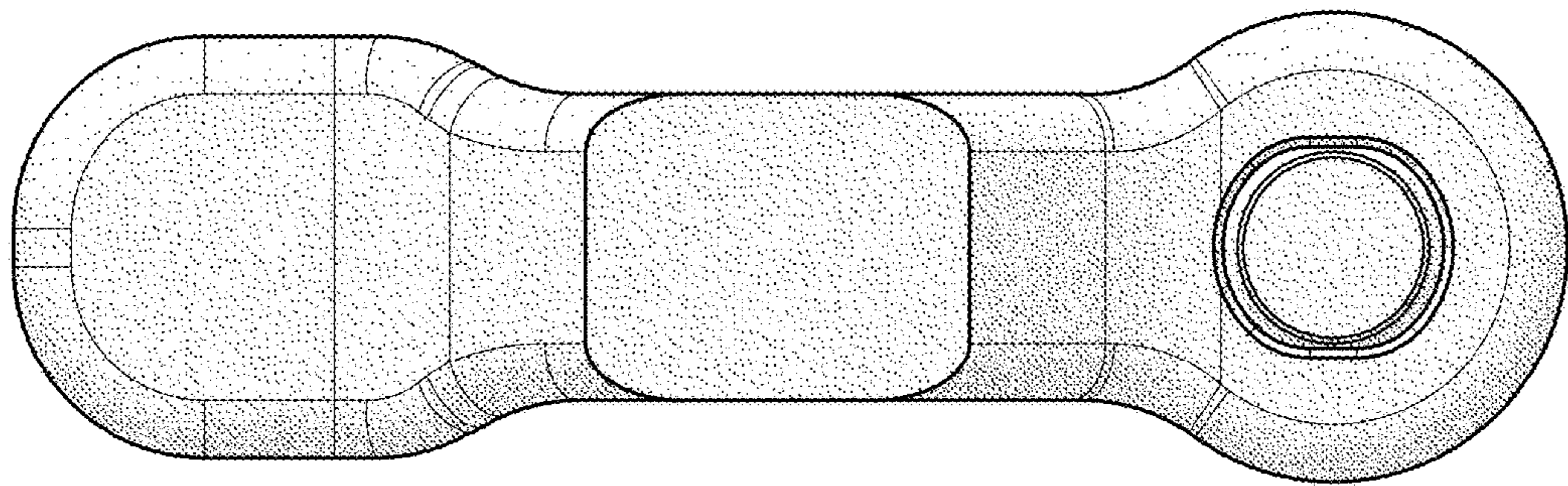


FIG. 18

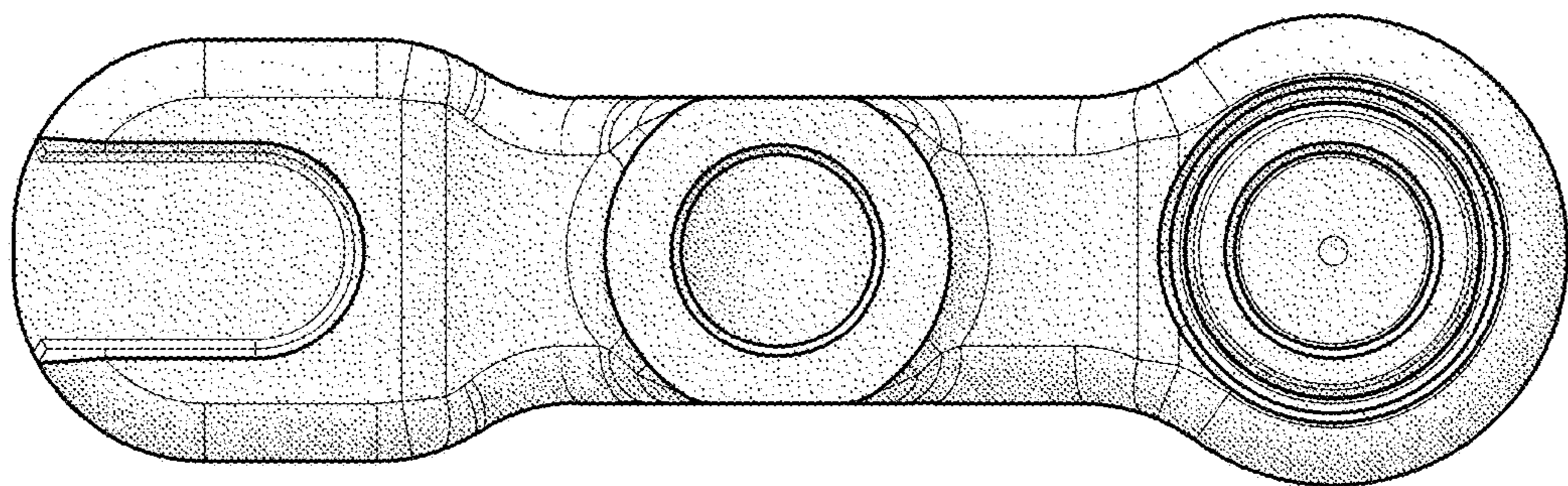


FIG. 19

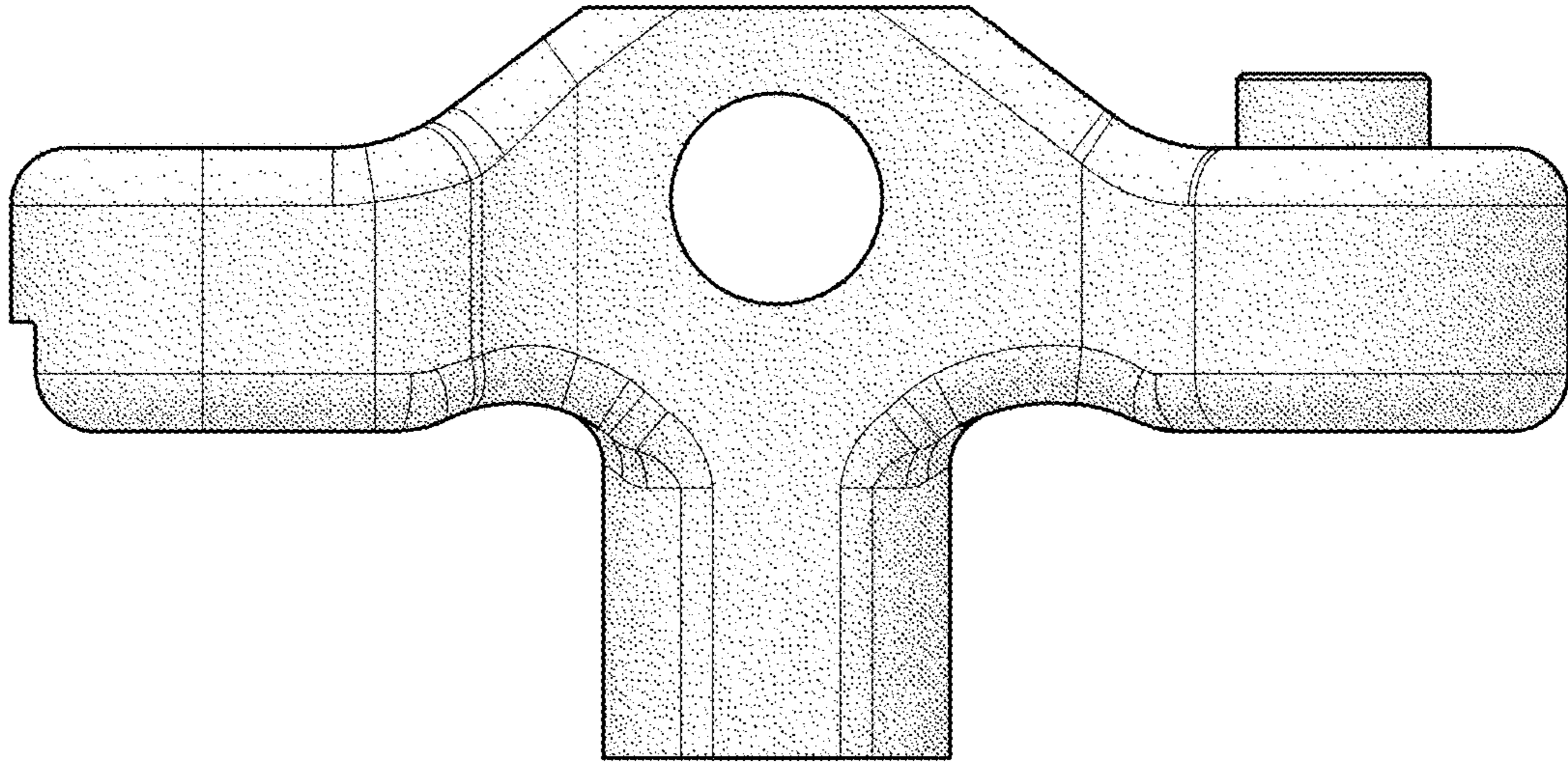


FIG. 20

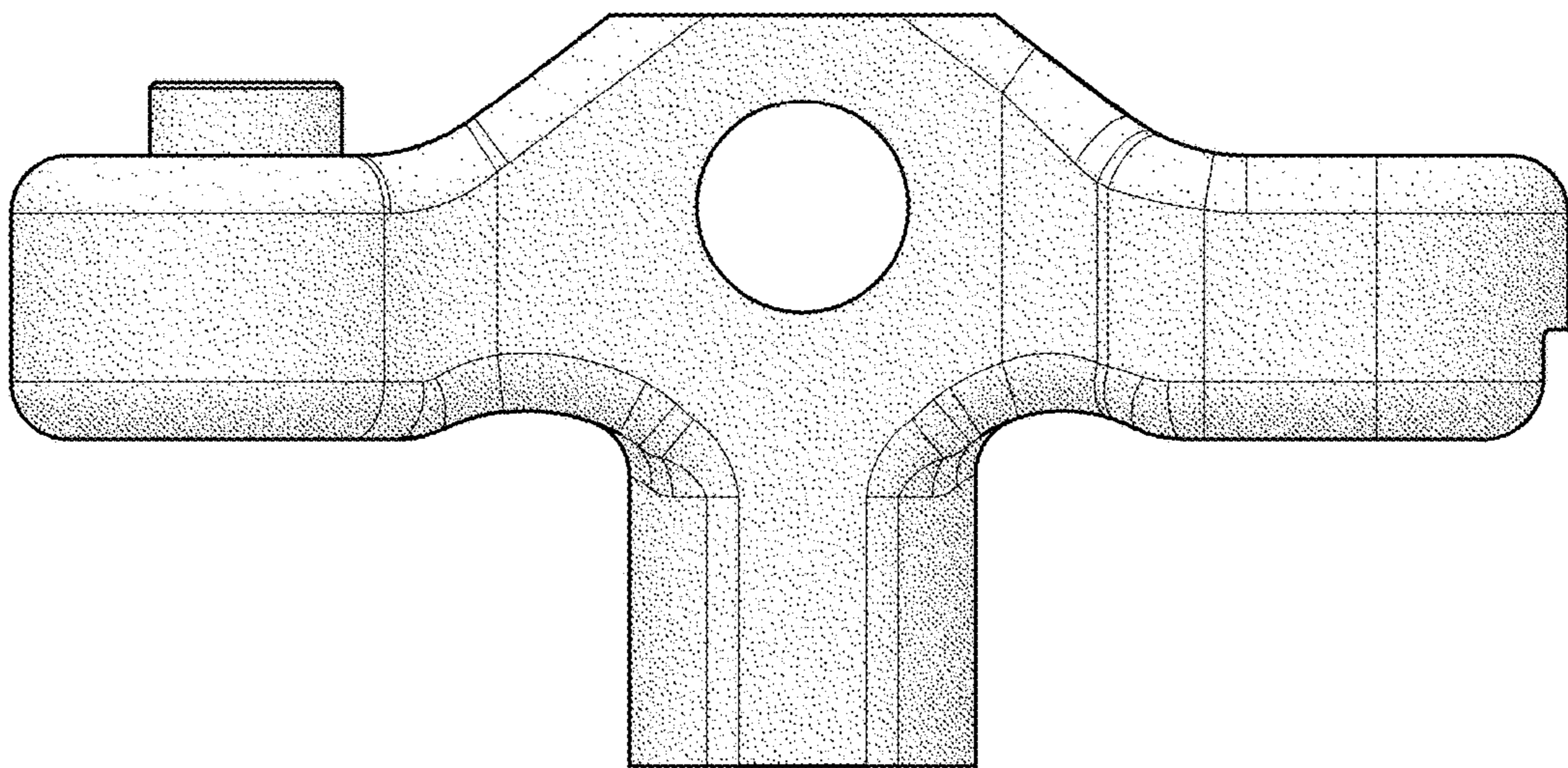


FIG. 21