



US00D839309S

(12) **United States Design Patent**
Gan

(10) **Patent No.:** **US D839,309 S**

(45) **Date of Patent:** **** Jan. 29, 2019**

- (54) **MOBILE DVD PLAYER**
- (71) Applicant: **Shenzhen Valuelink E-Commerce Co.,Ltd., Shenzhen (CN)**
- (72) Inventor: **Qing-Cao Gan, Shenzhen (CN)**
- (73) Assignee: **Shenzhen Valuelink E-Commerce Co., Ltd., Shenzhen (CN)**
- (**) Term: **15 Years**
- (21) Appl. No.: **29/622,540**
- (22) Filed: **Oct. 18, 2017**
- (51) **LOC (11) Cl.** **14-01**
- (52) **U.S. Cl.**
USPC **D14/501; D14/129**
- (58) **Field of Classification Search**
USPC D14/498-511, 125, 129
CPC B60K 35/00; B60K 37/00; B60K 37/02;
B60K 37/06; B60R 11/02; H04B 1/06;
H04B 1/08; H04B 1/082
See application file for complete search history.

| | | | | |
|--------------|--------|--------|-------|---------|
| D494,190 S * | 8/2004 | Hong | | D14/501 |
| D501,656 S * | 2/2005 | Peng | | D14/129 |
| D501,833 S * | 2/2005 | Peng | | D14/129 |
| D503,165 S * | 3/2005 | Tsuge | | D14/501 |
| D513,507 S * | 1/2006 | Tsuge | | D14/500 |
| D519,476 S * | 4/2006 | Peng | | D14/129 |
| D681,577 S * | 5/2013 | Tejima | | D14/129 |

* cited by examiner

Primary Examiner — Sandra L Morris

(74) *Attorney, Agent, or Firm* — ScienBiziP, P.C.

(57) **CLAIM**

The ornamental design for a mobile DVD player, as shown.

DESCRIPTION

This design patent application is related to U.S. Design patent application Ser. No. 29/622,541, filed concurrently with this design patent application.

FIG. 1 is a front perspective view of an embodiment of a mobile DVD player, showing the claimed new design;

FIG. 2 is a rear perspective view of the mobile DVD player shown in FIG. 1;

FIG. 3 is a front elevation view of the mobile DVD player shown in FIG. 1;

FIG. 4 is a rear elevation view of the mobile DVD player shown in FIG. 1;

FIG. 5 is a left side elevation view of the mobile DVD player shown in FIG. 1;

FIG. 6 is a right side elevation view of the mobile DVD player shown in FIG. 1;

FIG. 7 is a top plan view of the mobile DVD player shown in FIG. 1; and,

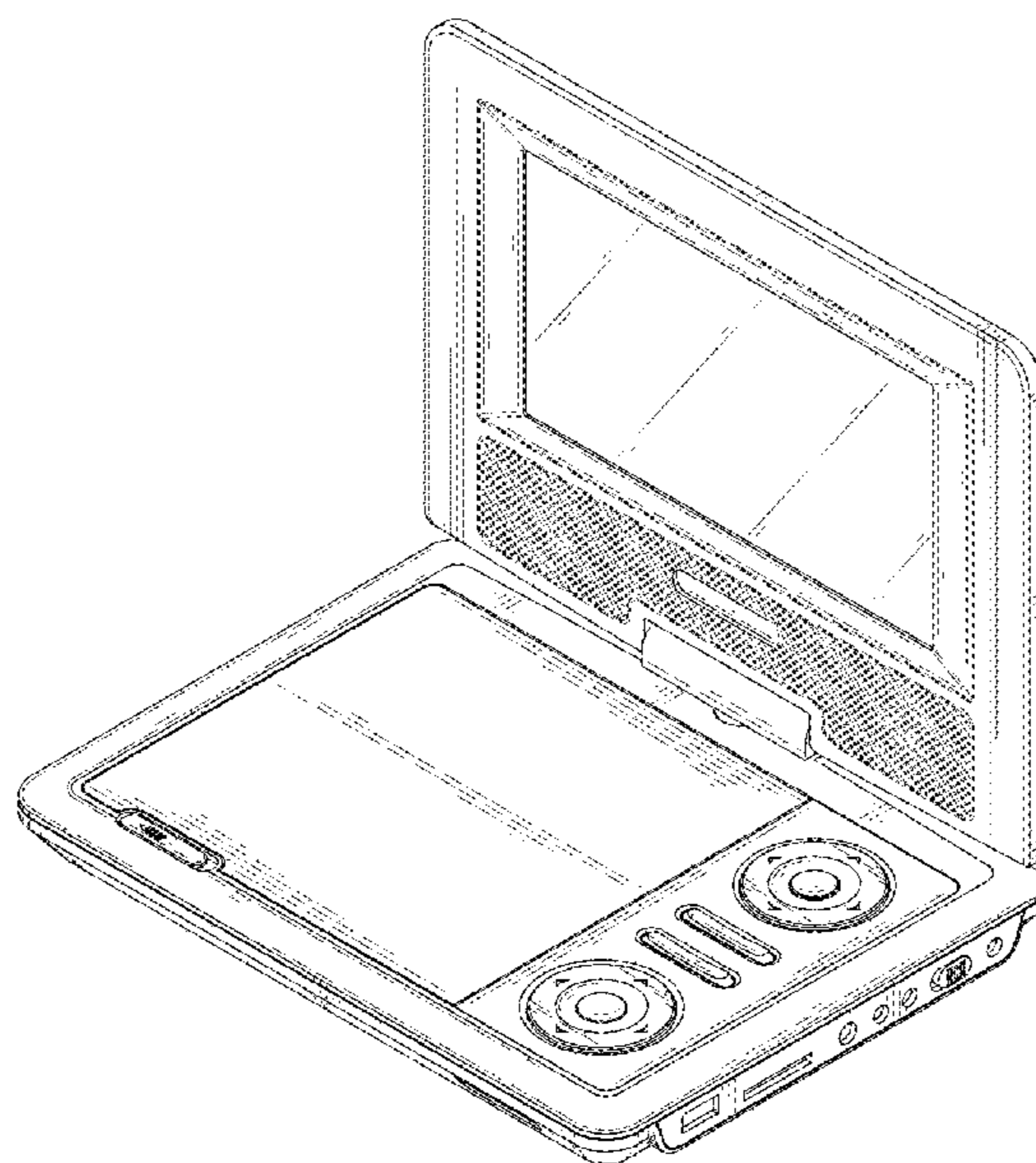
FIG. 8 is a bottom plan view of the mobile DVD player shown in FIG. 1.

1 Claim, 8 Drawing Sheets

(56) **References Cited**

U.S. PATENT DOCUMENTS

| | | | | |
|--------------|---------|--------------|-------|---------|
| D377,648 S * | 1/1997 | Young | | D14/129 |
| D445,100 S * | 7/2001 | Sawai | | D14/501 |
| D447,738 S * | 9/2001 | Usami | | D14/129 |
| D456,373 S * | 4/2002 | Usami | | D14/129 |
| D456,382 S * | 4/2002 | Christianson | | D14/168 |
| D467,887 S * | 12/2002 | Azuma | | D14/129 |
| D485,542 S * | 1/2004 | Wu | | D14/507 |
| D488,165 S * | 4/2004 | Harel | | D14/501 |
| D494,189 S * | 8/2004 | Ko | | D14/501 |



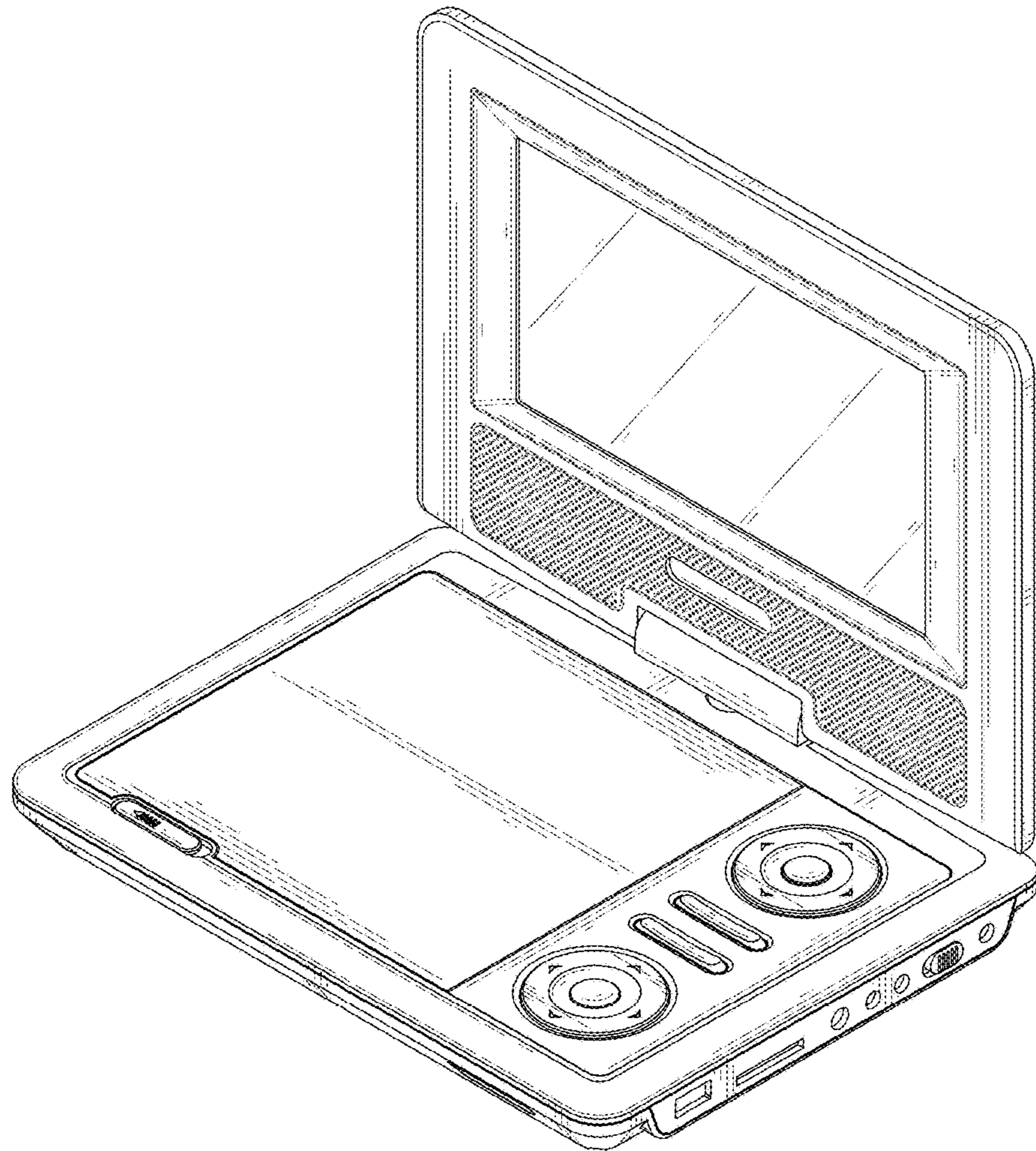


FIG. 1

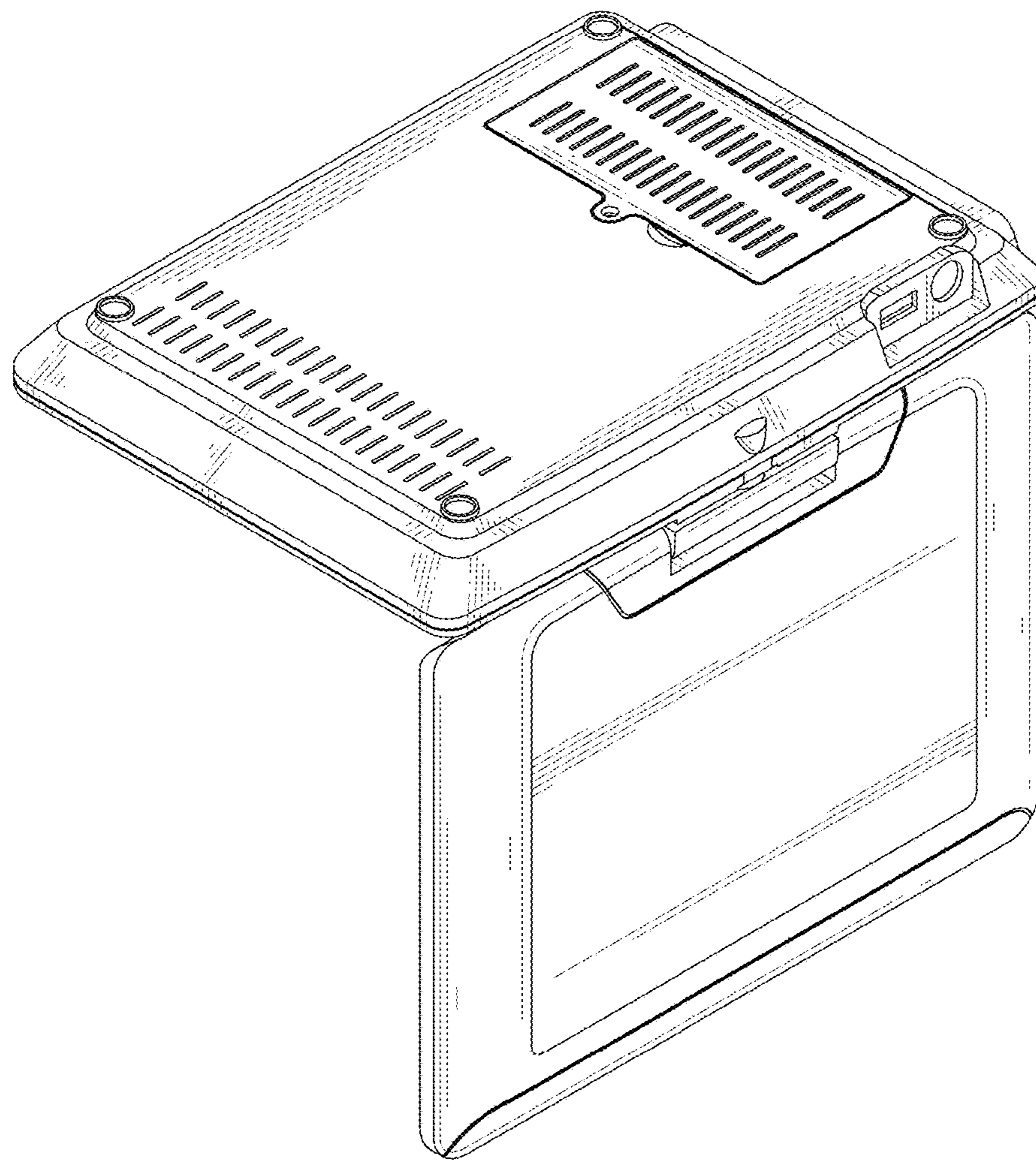


FIG. 2

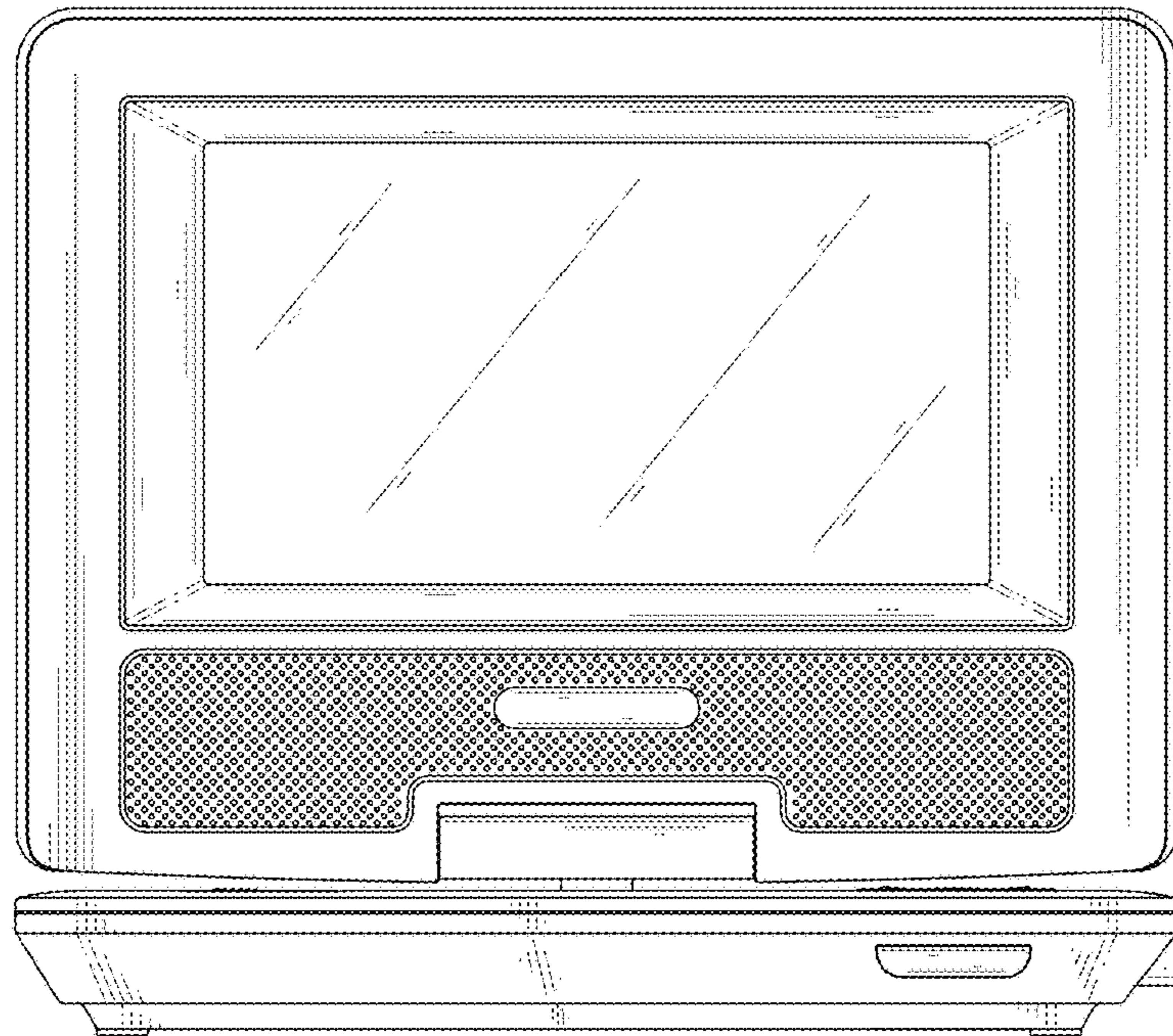


FIG. 3

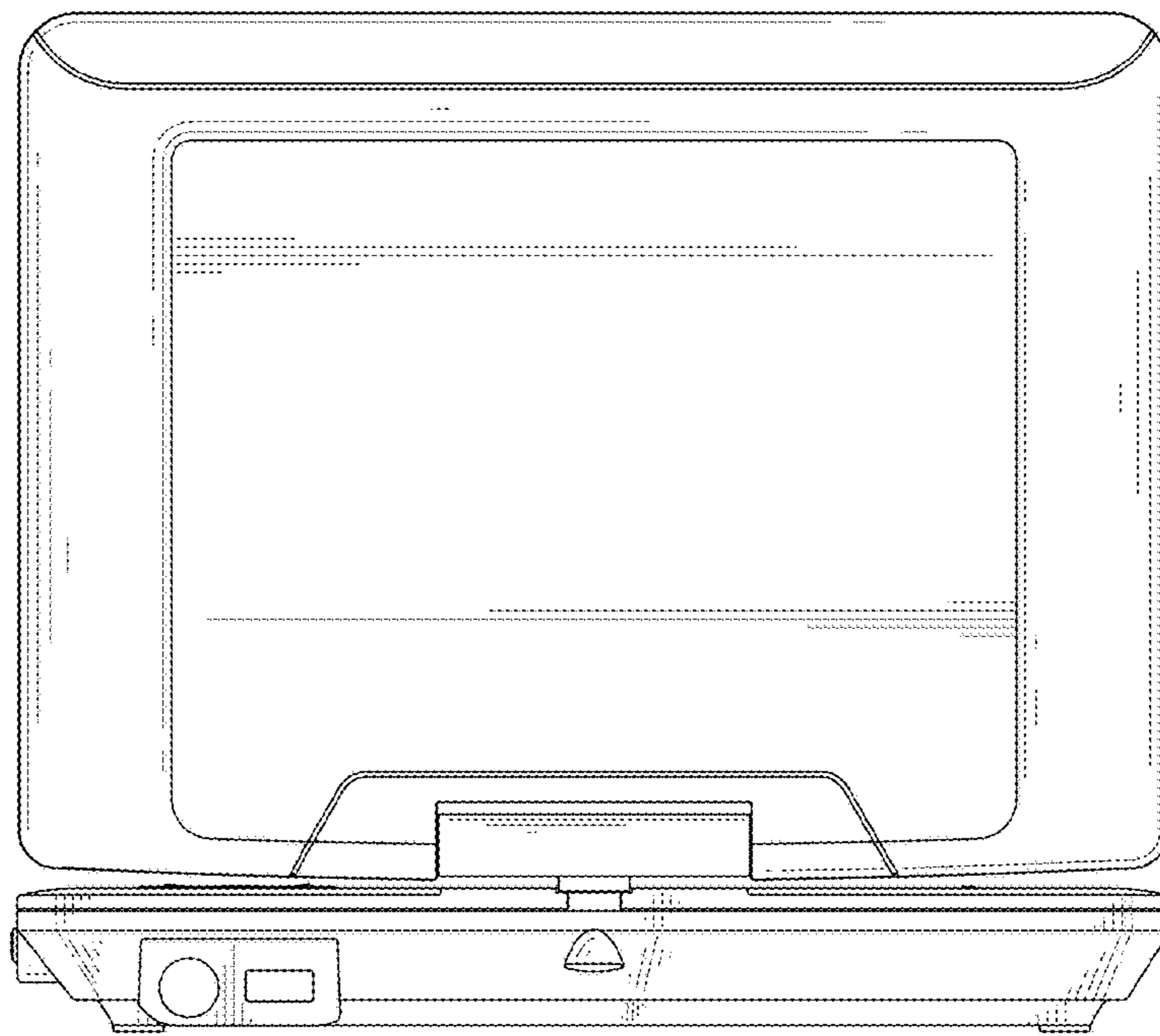


FIG. 4

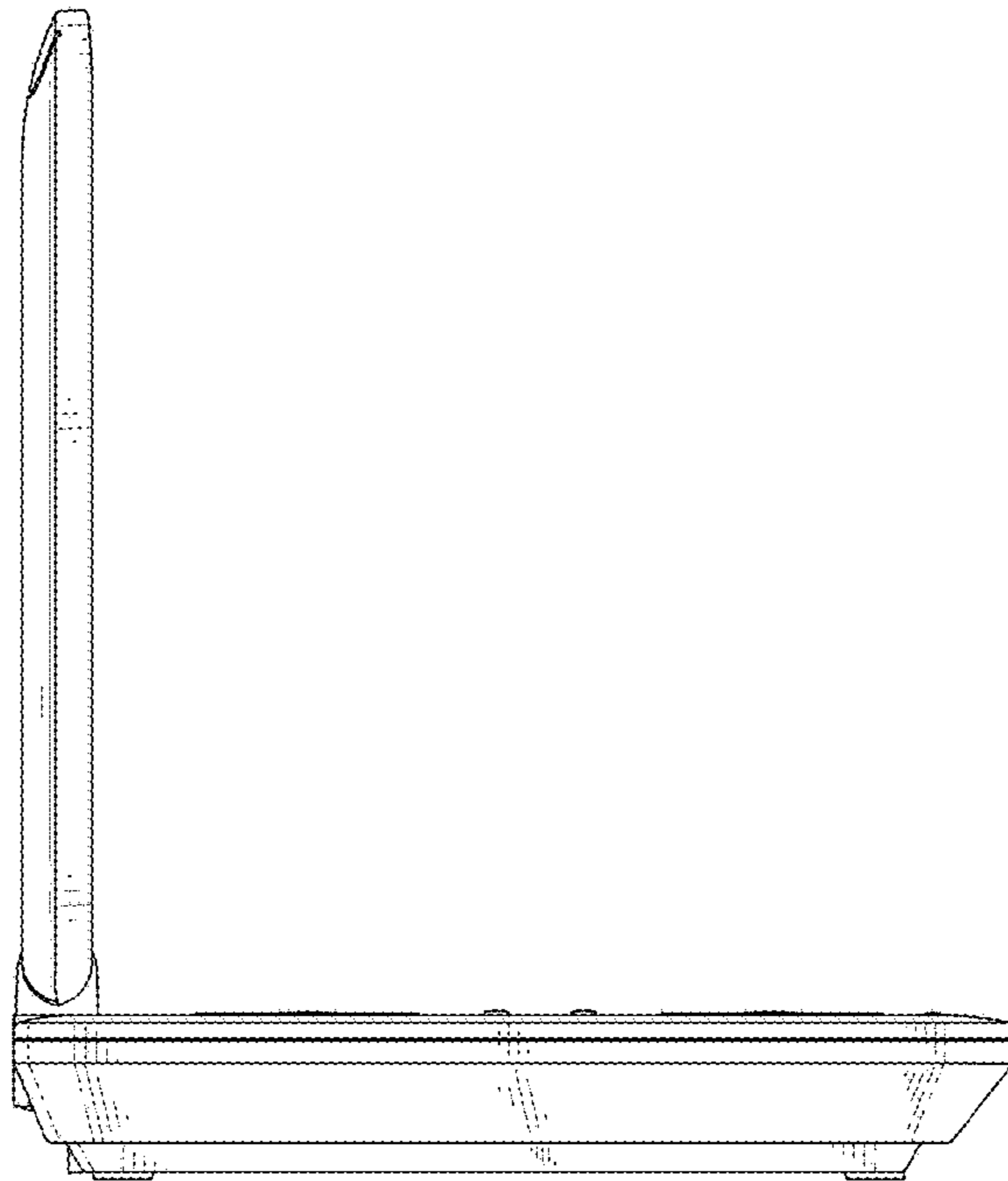


FIG. 5

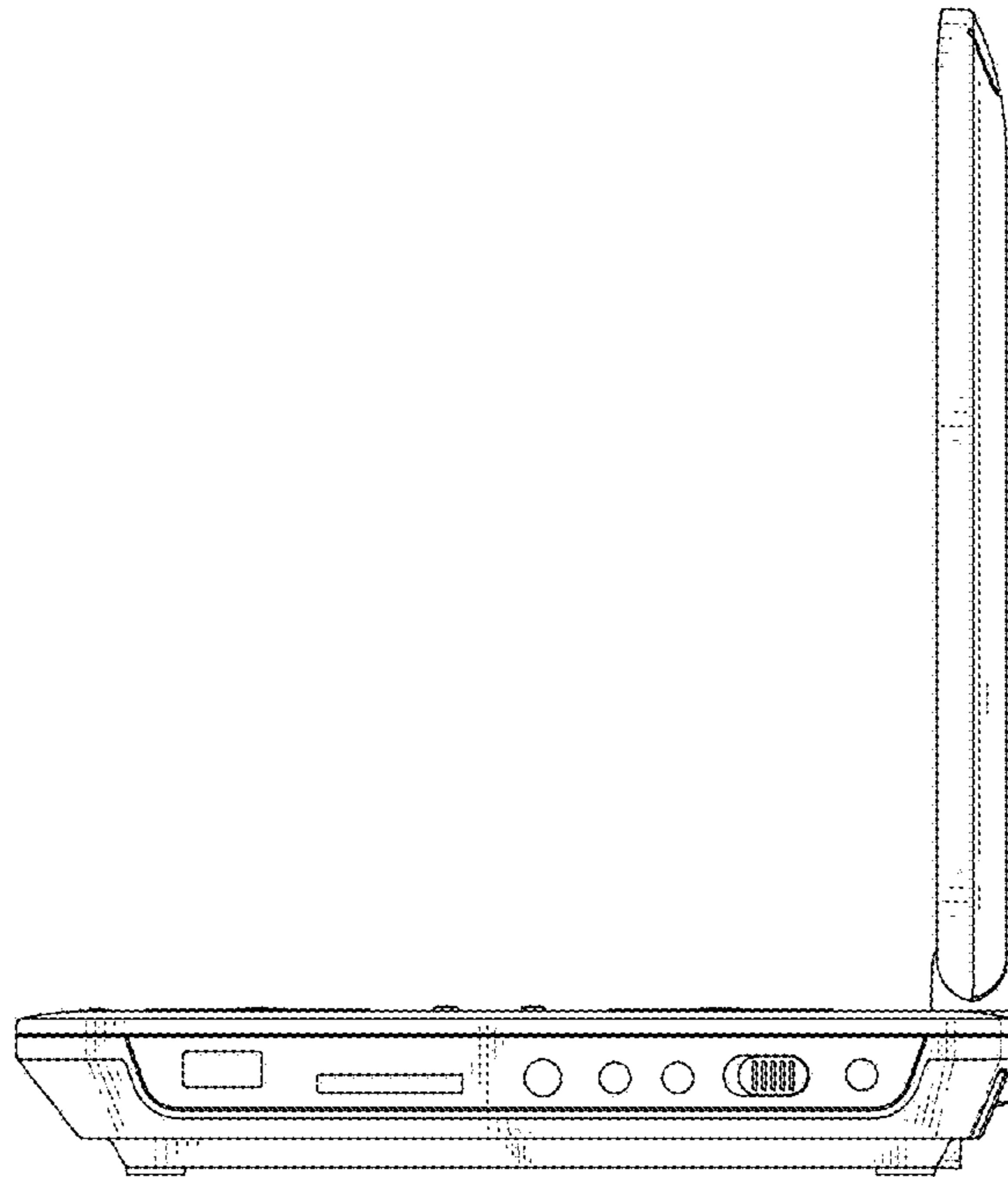


FIG. 6

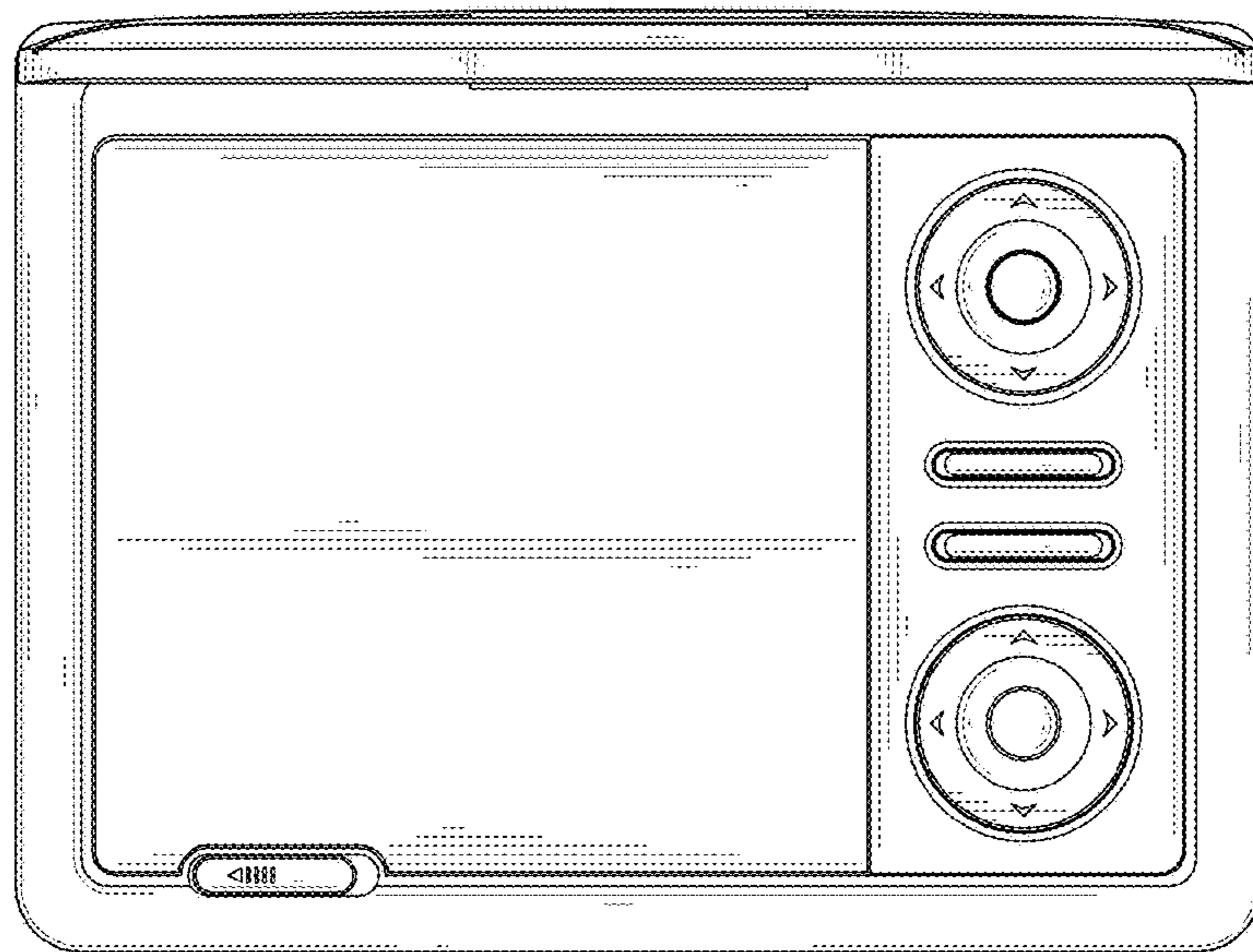


FIG. 7

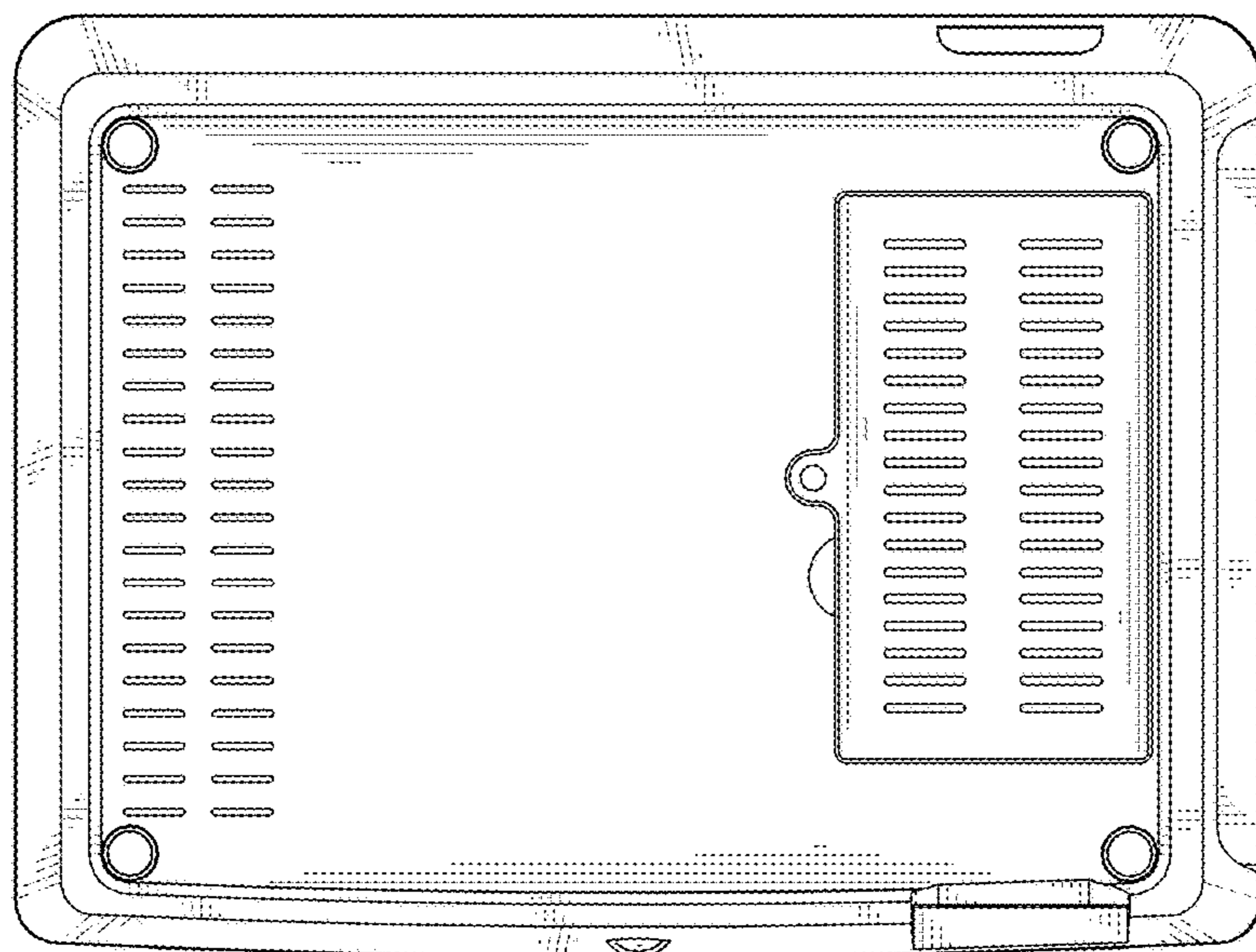


FIG. 8