



US00D839287S

(12) **United States Design Patent**  
**Hersh et al.**

(10) **Patent No.:** **US D839,287 S**  
(45) **Date of Patent:** **\*\* Jan. 29, 2019**

(54) **DISPLAY SCREEN OR PORTION THEREOF WITH ANIMATED GRAPHICAL USER INTERFACE**

(71) Applicant: **Smule, Inc.**, San Francisco, CA (US)

(72) Inventors: **Benjamin Hersh**, San Francisco, CA (US); **John Shimmin**, San Francisco, CA (US); **Jeannie Yang**, San Francisco, CA (US); **Perry R. Cook**, Jacksonville, OR (US)

(73) Assignee: **Smule, Inc.**, San Francisco, CA (US)

(\*\*) Term: **15 Years**

(21) Appl. No.: **29/566,061**

(22) Filed: **May 26, 2016**

**Related U.S. Application Data**

(63) Continuation-in-part of application No. 14/879,075, filed on Oct. 8, 2015.

(51) **LOC (11) Cl.** ..... **14-04**

(52) **U.S. Cl.**  
USPC ..... **D14/486**

(58) **Field of Classification Search**  
USPC ..... D14/485–495  
CPC .. G06F 3/0481; G06F 3/04817; G06F 3/0482;  
G06F 3/0488; G06F 3/04883  
See application file for complete search history.

(56) **References Cited**

**U.S. PATENT DOCUMENTS**

D592,223 S *	5/2009	Neuhaus	.....	D14/491
D615,989 S *	5/2010	Chaudhri	.....	D14/488
D648,345 S *	11/2011	Arnold	.....	D14/486
D687,448 S *	8/2013	Arnold	.....	D14/485
D697,937 S *	1/2014	Lee	.....	D14/486

(Continued)

**OTHER PUBLICATIONS**

Sing! Karaoke by Smule on Apple TV, by Smule, published Oct. 29, 2015, youtube.com [online], [retrived Jun. 7, 2017]. Available from internet <URL:https://www.youtube.com/watch?v=9VXGC3oGwxQ>.\*

*Primary Examiner* — Cathron C Brooks

*Assistant Examiner* — Andrew T Nemeth

(74) *Attorney, Agent, or Firm* — Haynes and Boone, LLP

(57) **CLAIM**

The ornamental design for an display screen or portion thereof with animated graphical user interface, as shown and described.

**DESCRIPTION**

FIG. 1 is a front view of a first image of an display screen or portion thereof with animated graphical user interface showing our new design;

FIG. 2 is a front view of a second image thereof;

FIG. 3 is a front view of a third image thereof;

FIG. 4 is a front view of a fourth image thereof;

FIG. 5 is a front view of a fifth image thereof;

FIG. 6 is a front view of a sixth image thereof;

FIG. 7 is a front view of a seventh image thereof;

FIG. 8 is a front view of an eighth image thereof;

FIG. 9 is a front view of a ninth image thereof;

FIG. 10 is a front view of a tenth image thereof;

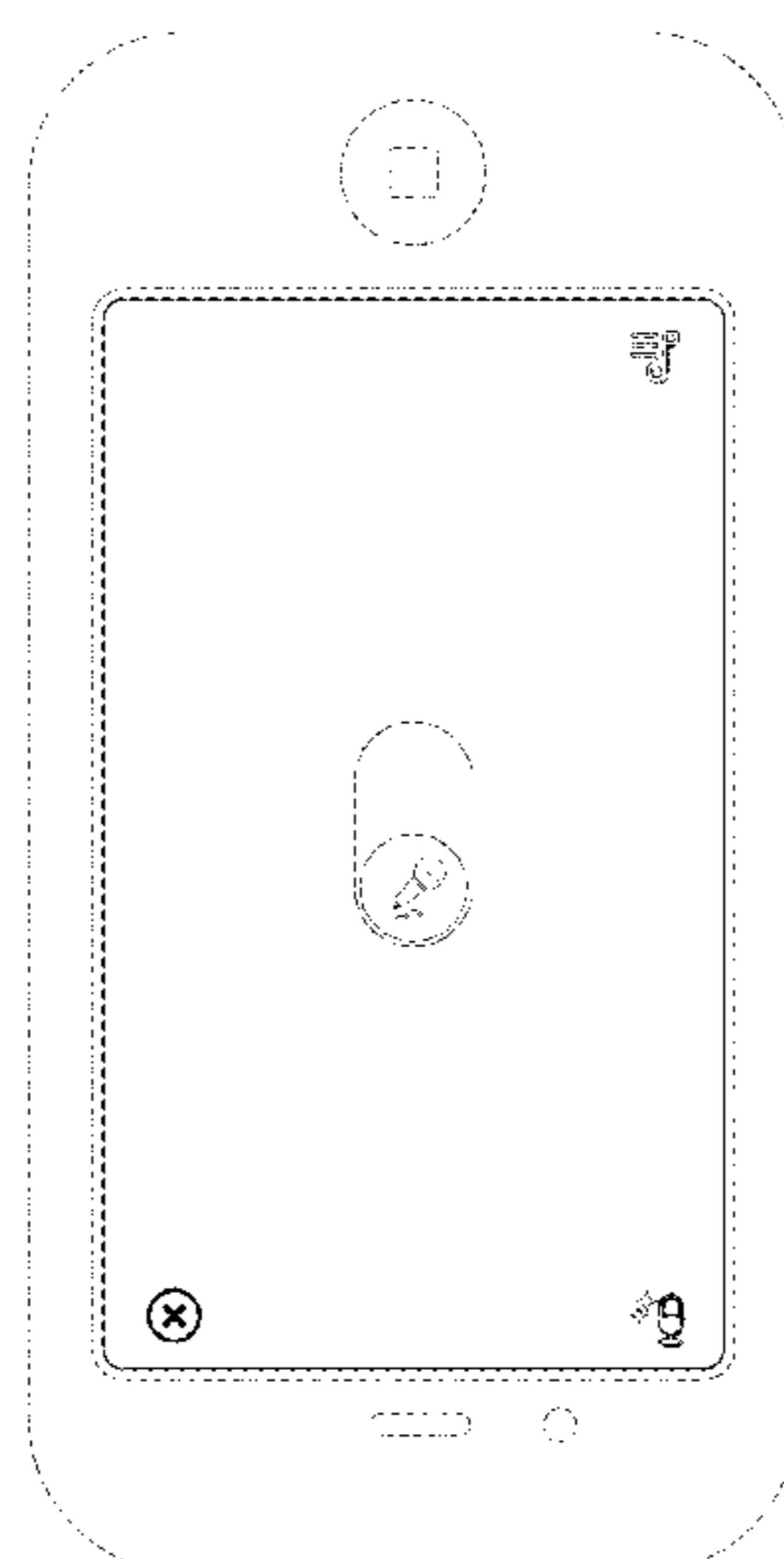
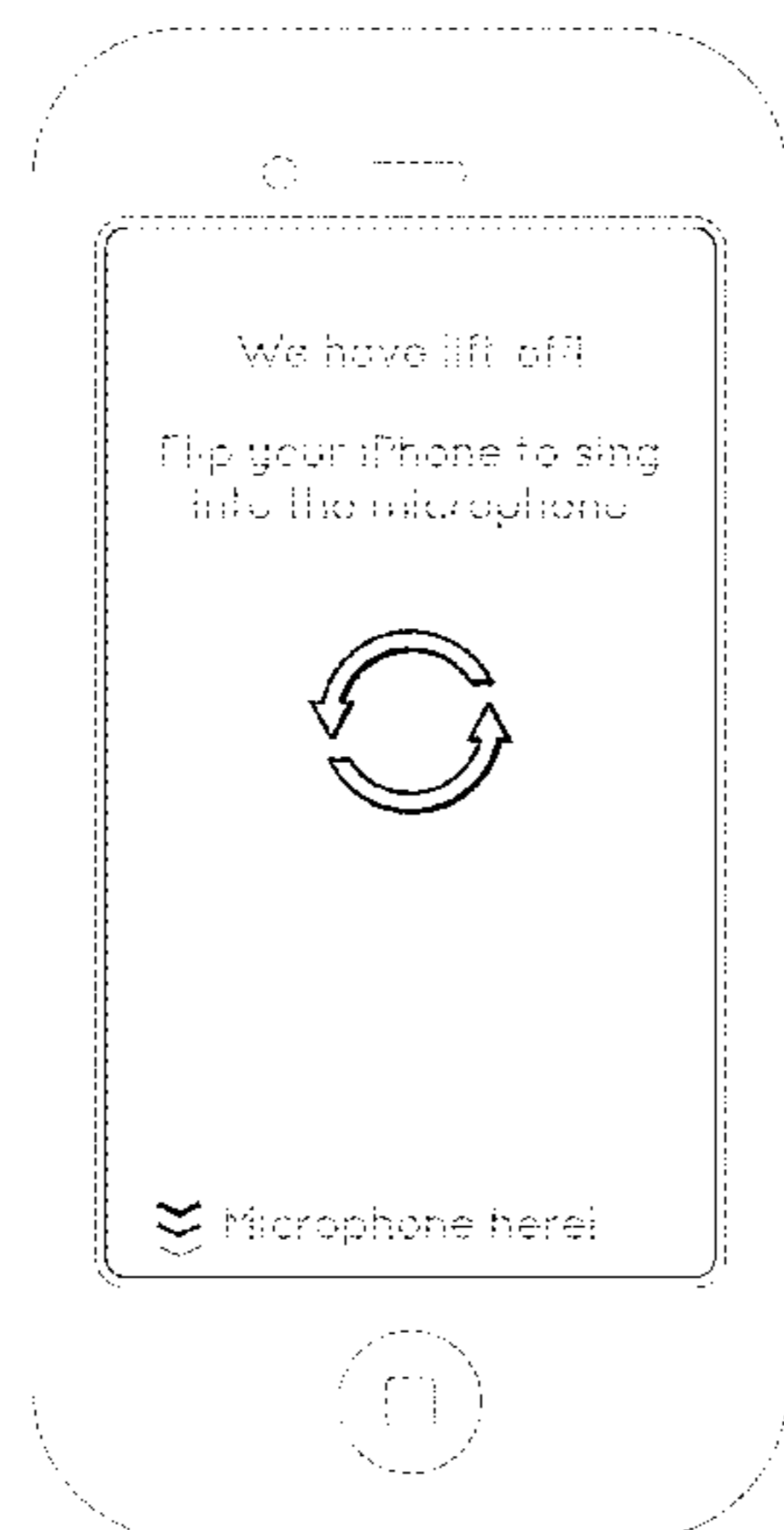
FIG. 11 is a front view of an eleventh image thereof; and,

FIG. 12 is a perspective view of the eleventh image thereof.

The appearance of the animated images transitions between the images shown in FIGS. 1-11. The process or period in which one image transitions to another forms no part of the claimed design.

The electronic device in all views, and the hand in FIG. 12, are shown in broken line for the purpose of illustrating environmental structure. The remaining broken lines, including all text shown, are shown for the purpose of illustrating portions of the graphical user interface. None of the broken lines form part of the claimed design.

**1 Claim, 7 Drawing Sheets**



(56)

**References Cited**

U.S. PATENT DOCUMENTS

D732,076	S	*	6/2015	Kim	.....	D14/491
D743,434	S	*	11/2015	Chaudhri	.....	D14/488
D746,324	S	*	12/2015	Kim	.....	D14/489
D762,223	S	*	7/2016	Alonso Ruiz	.....	D14/485
D766,981	S	*	9/2016	Lee	.....	D14/493
D771,668	S	*	11/2016	Gomez	.....	D14/486
D771,708	S	*	11/2016	Kobayashi	.....	D14/493
D775,648	S	*	1/2017	Snell	.....	D14/486
D777,735	S	*	1/2017	Kim	.....	D14/485
D786,267	S	*	5/2017	Engel	.....	D14/485
2009/0002335	A1	*	1/2009	Chaudhri	.....	G06F 3/04815 345/173
2016/0011850	A1	*	1/2016	Sheen	.....	H04S 7/301 715/709

\* cited by examiner

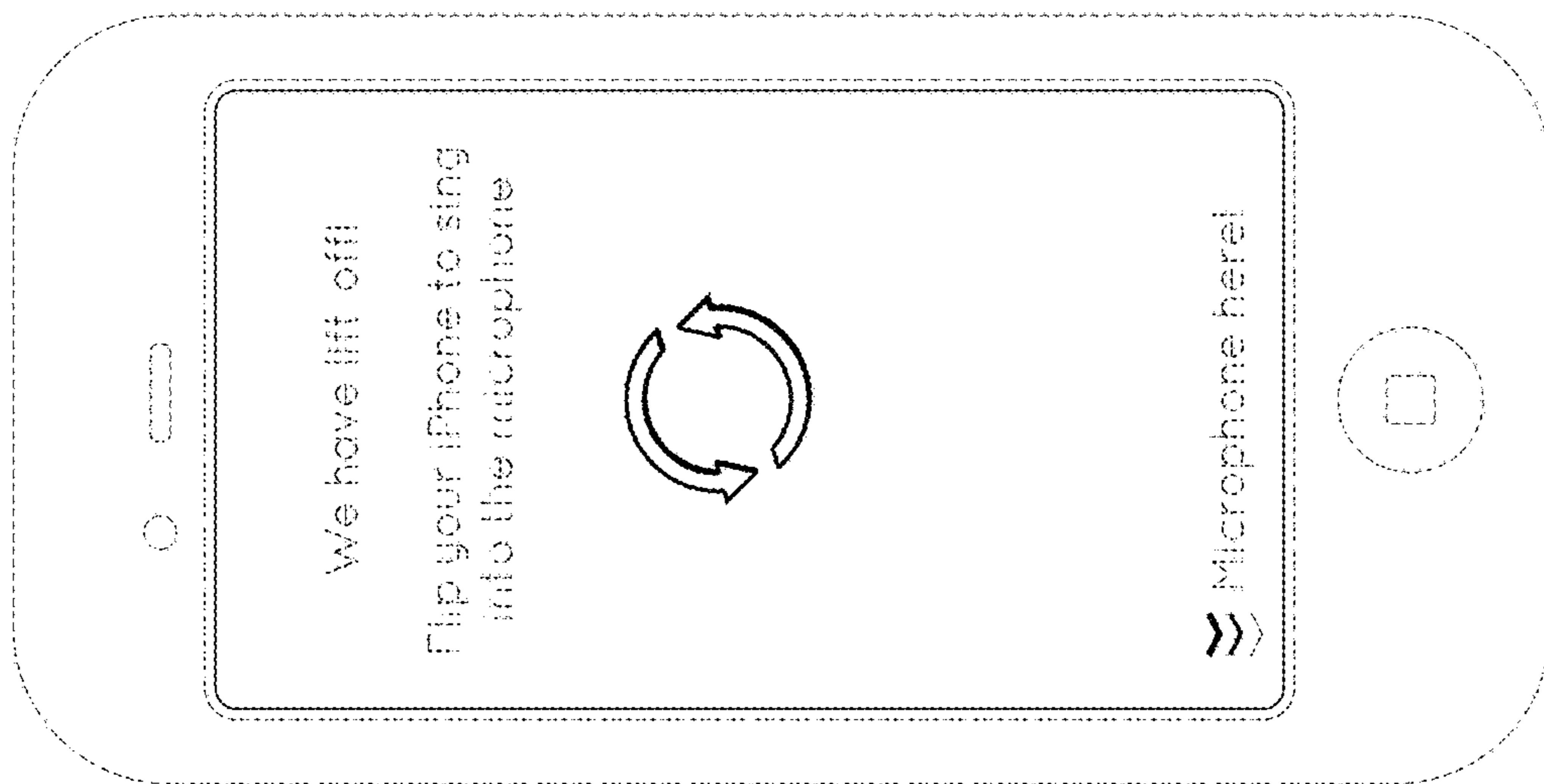


Fig. 1

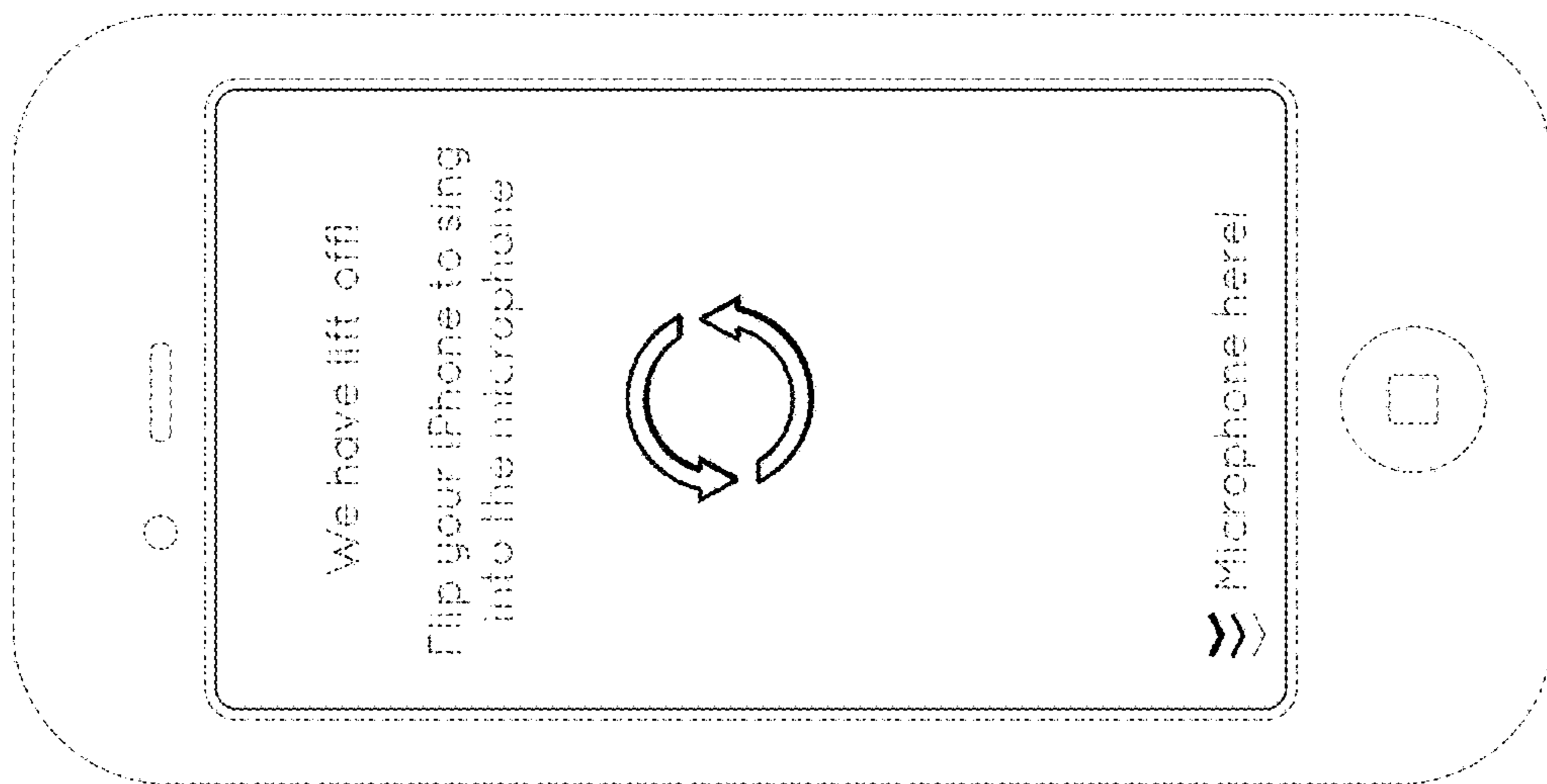


Fig. 2

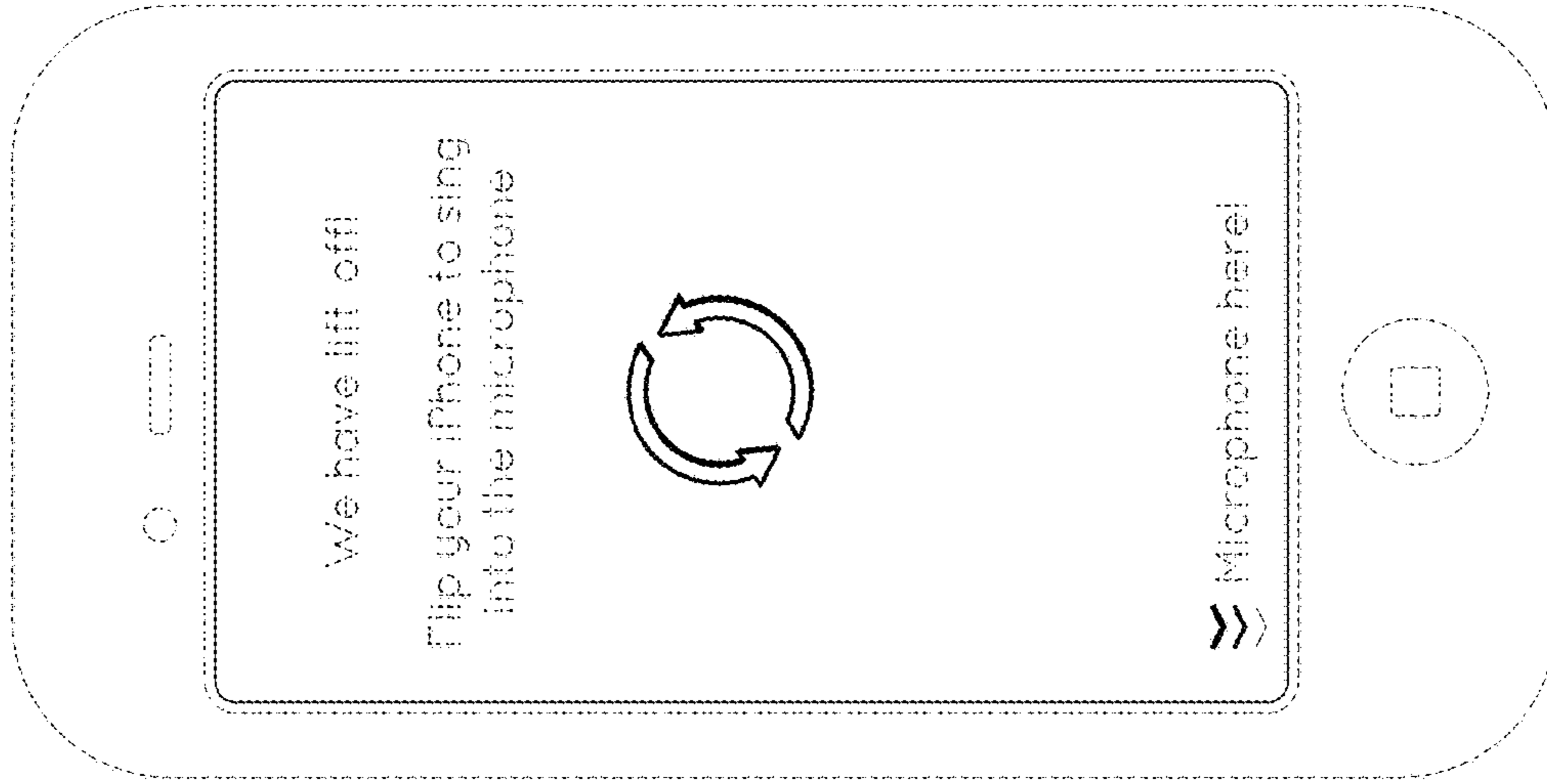


Fig. 3

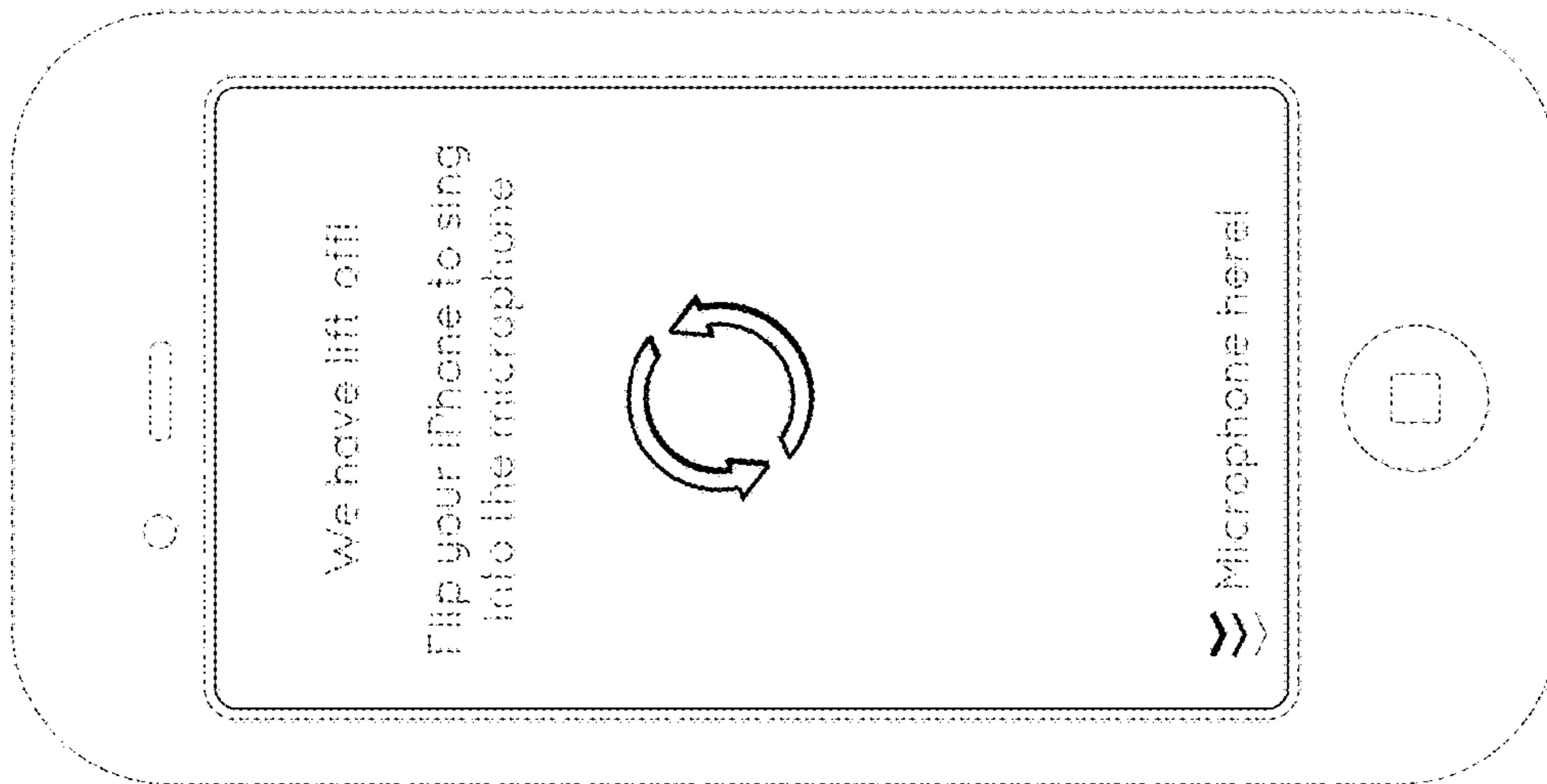


Fig. 4

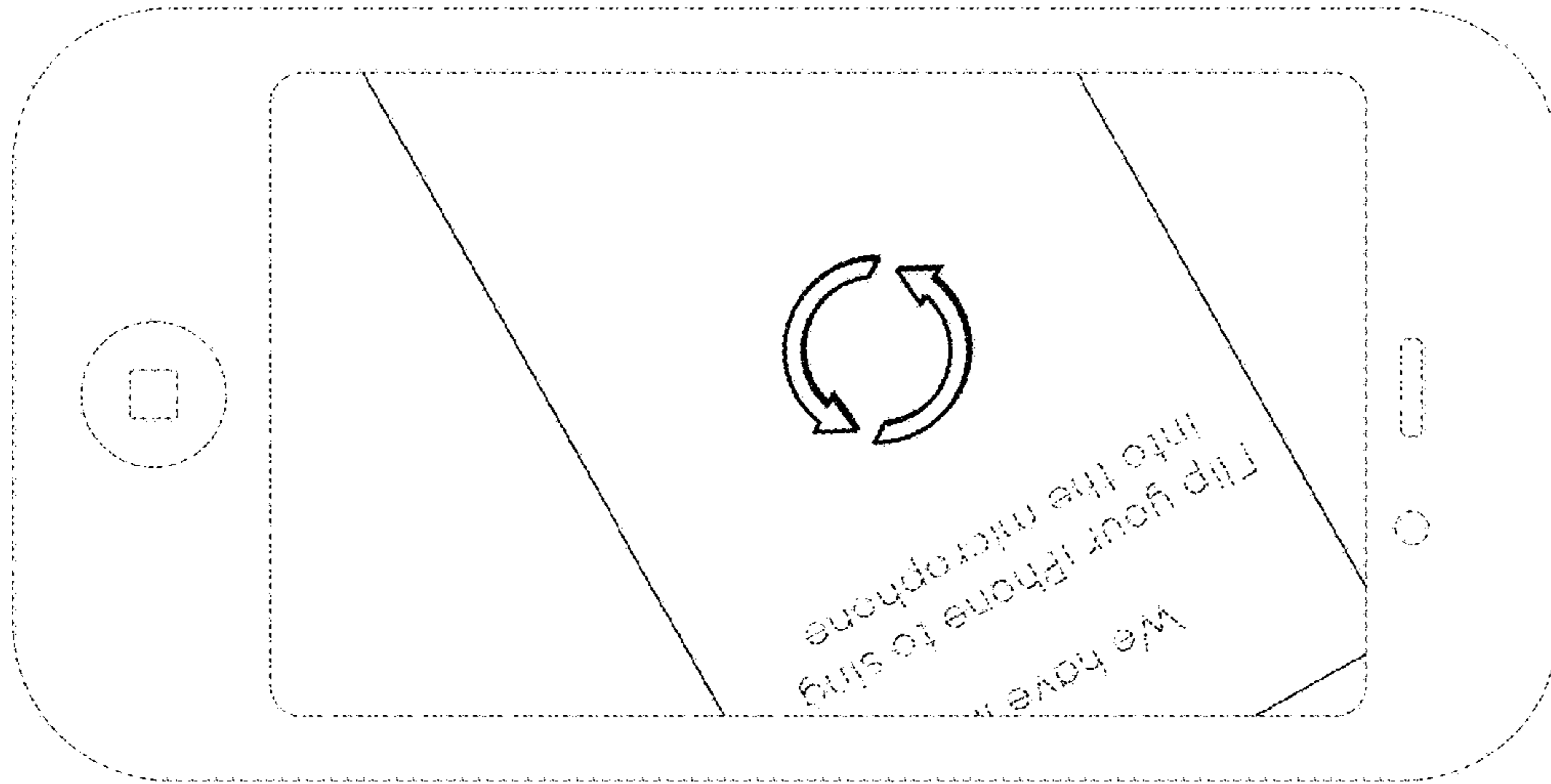


Fig. 5

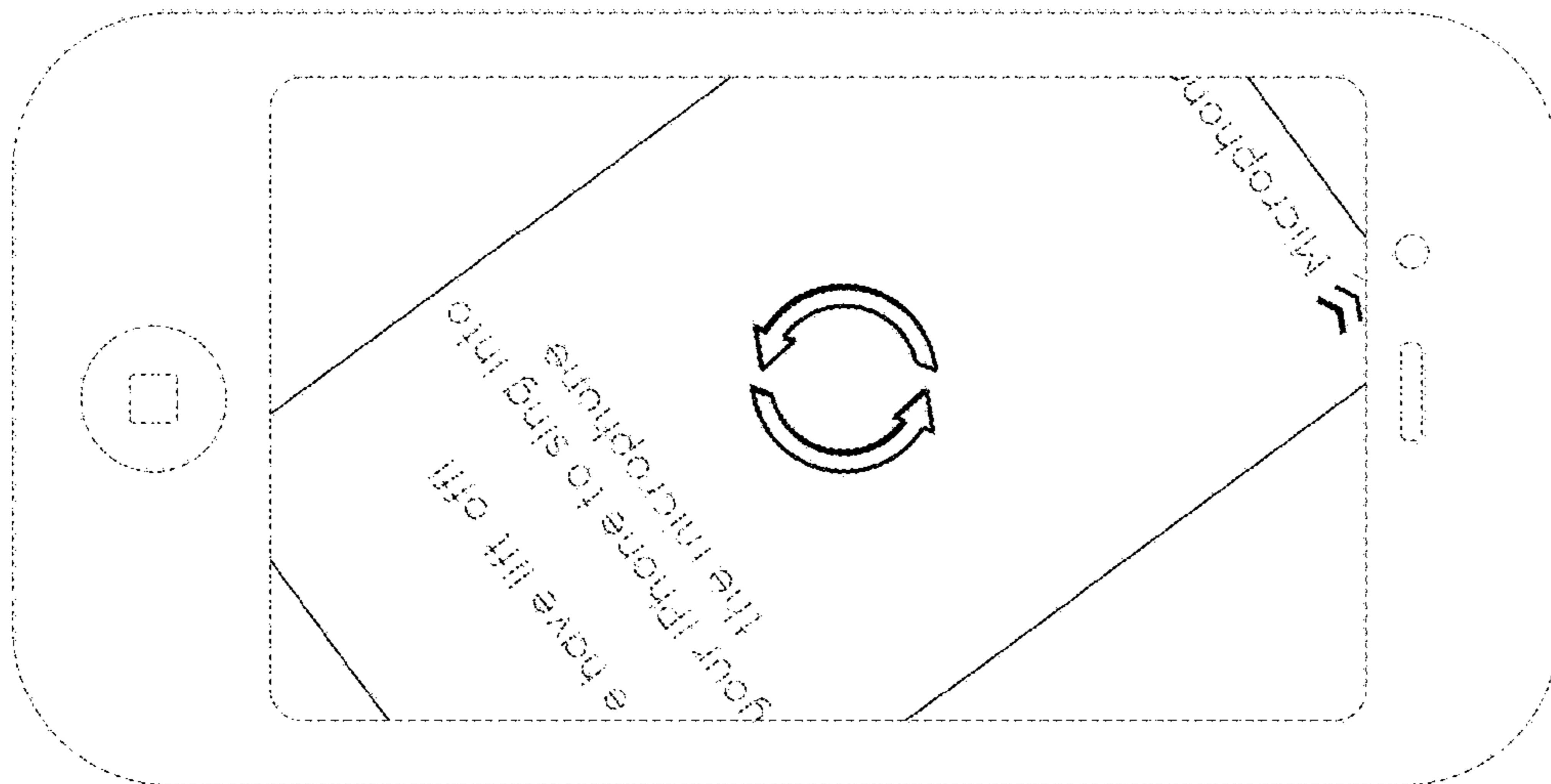


Fig. 6

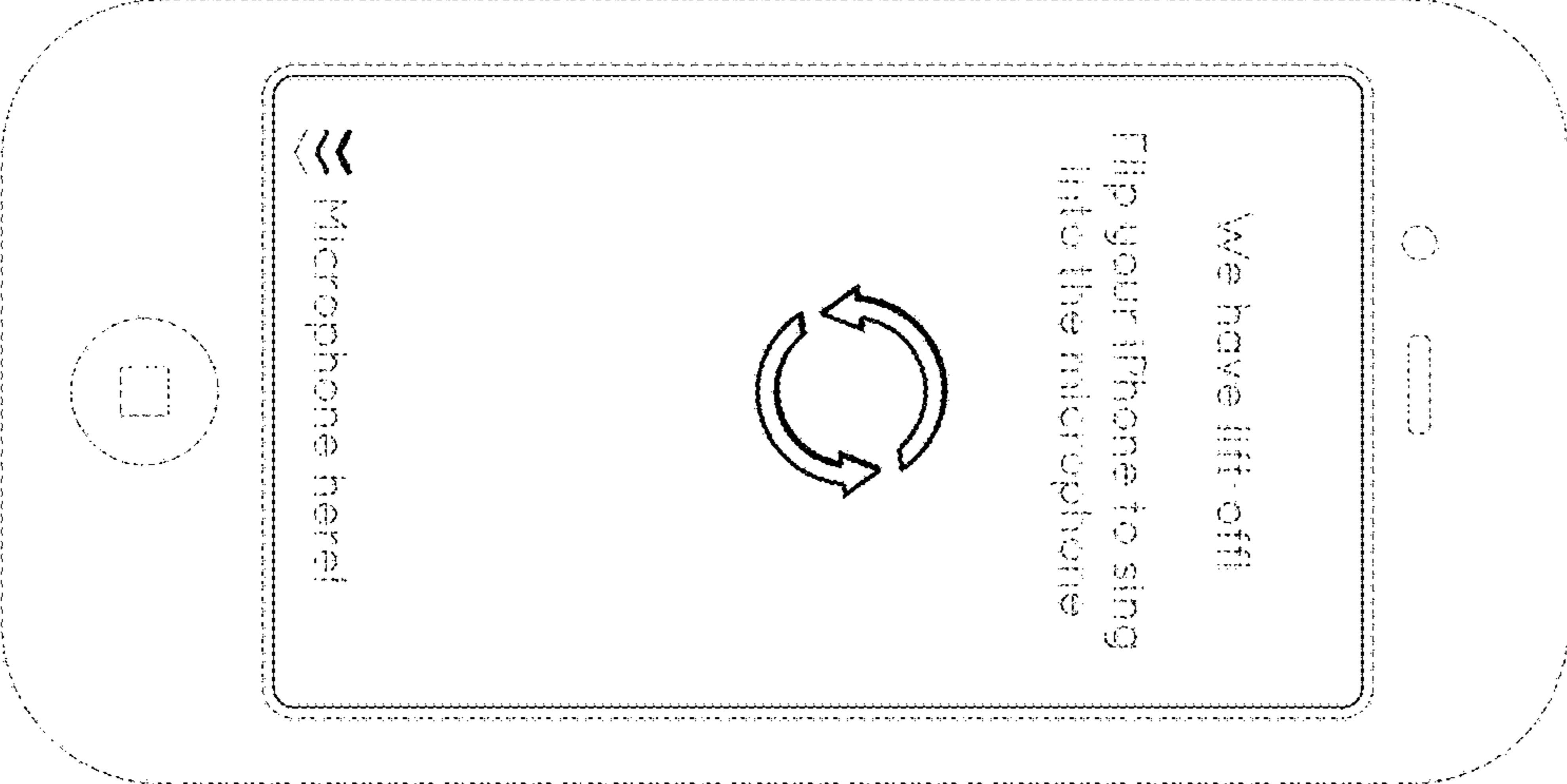


Fig. 8

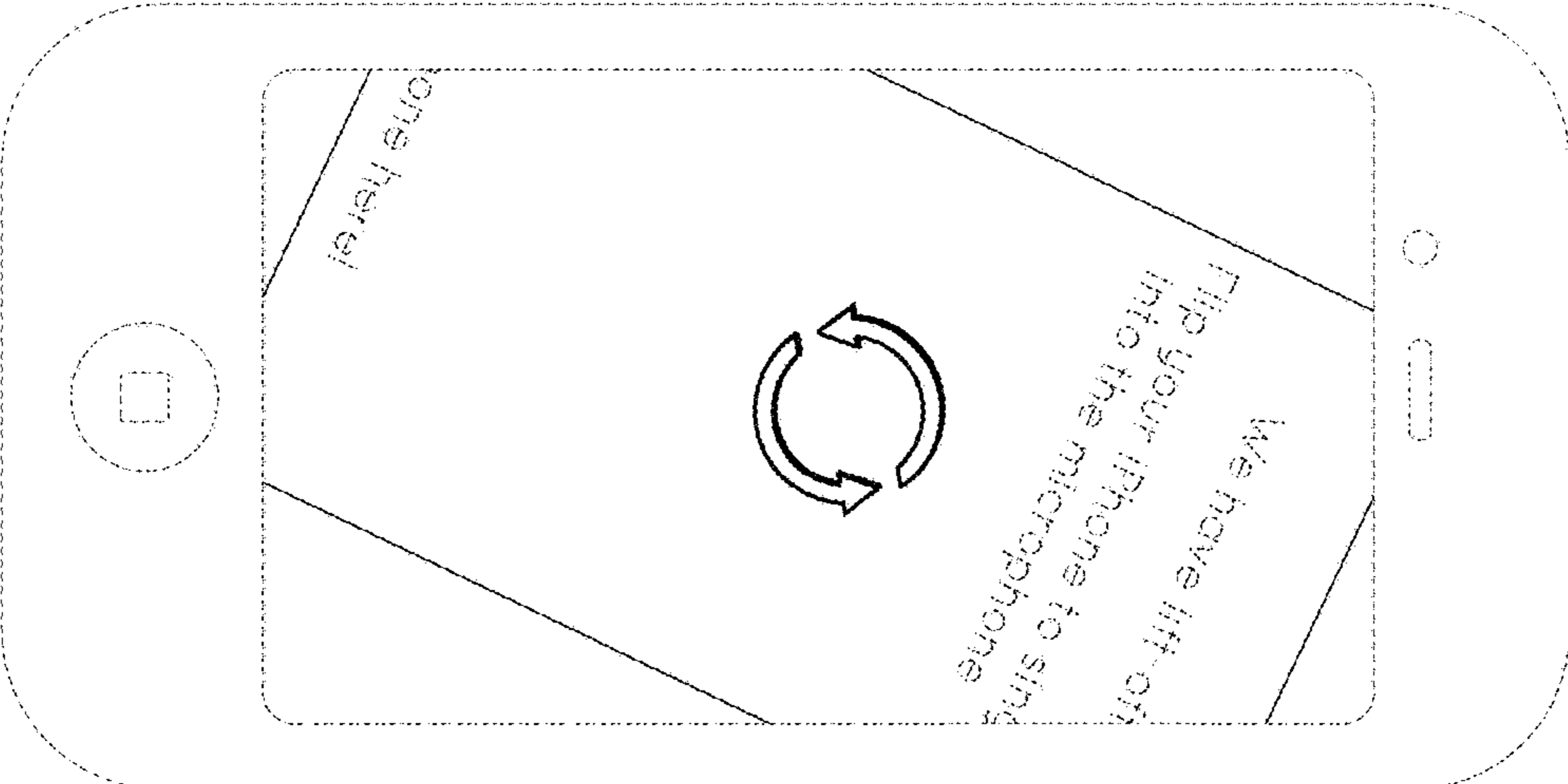


Fig. 7



Fig. 10

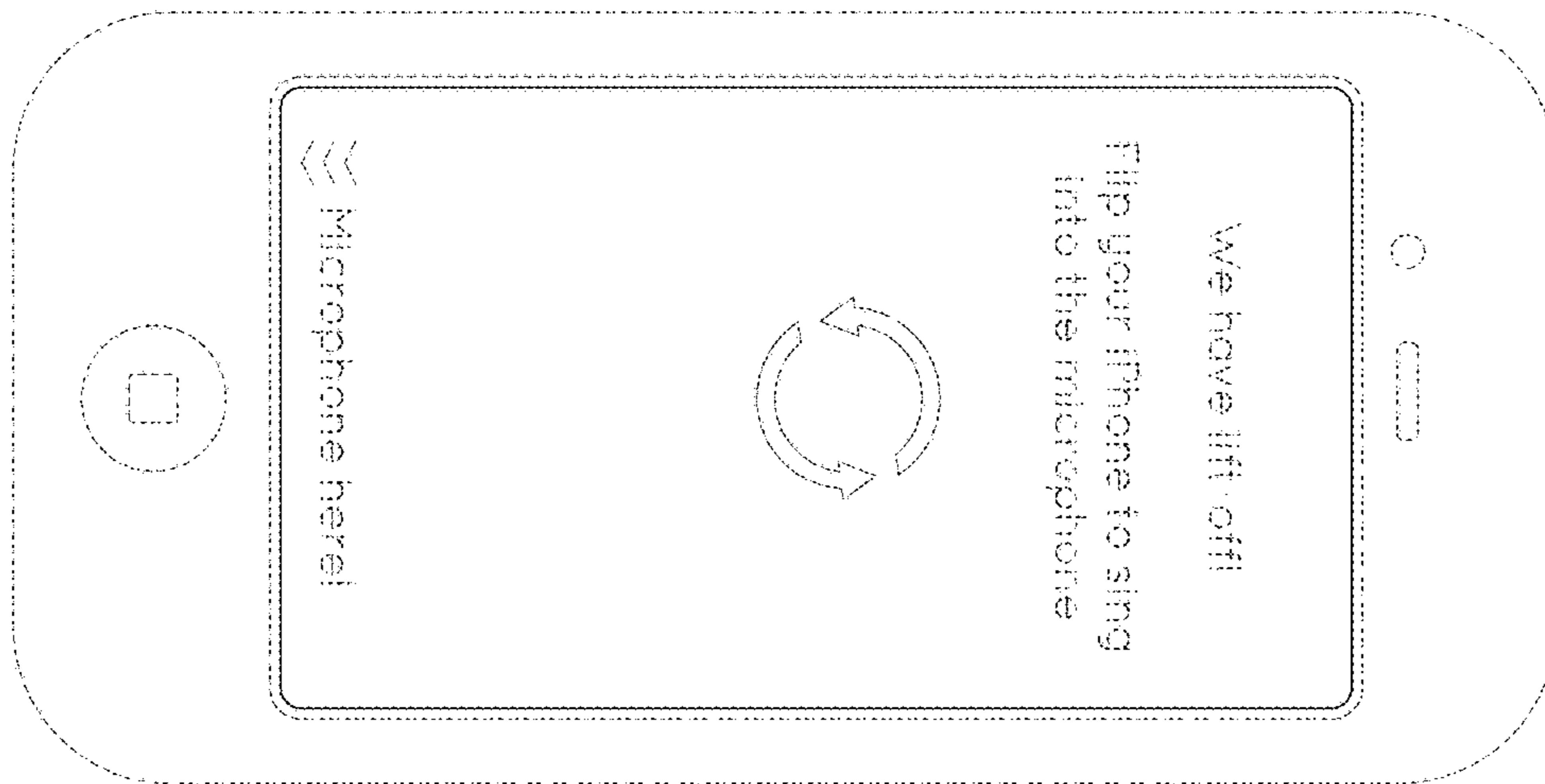


Fig. 9

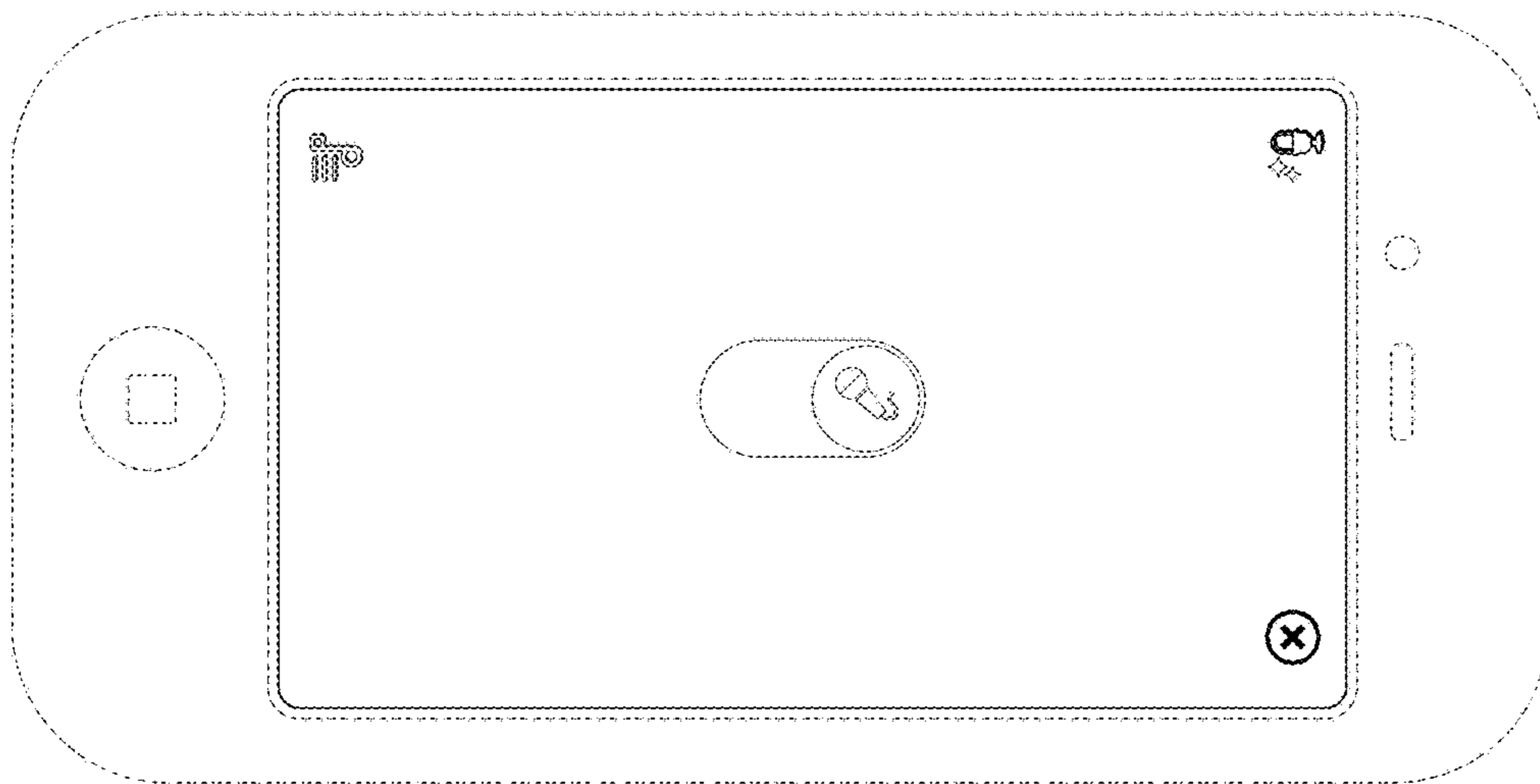


Fig. 11



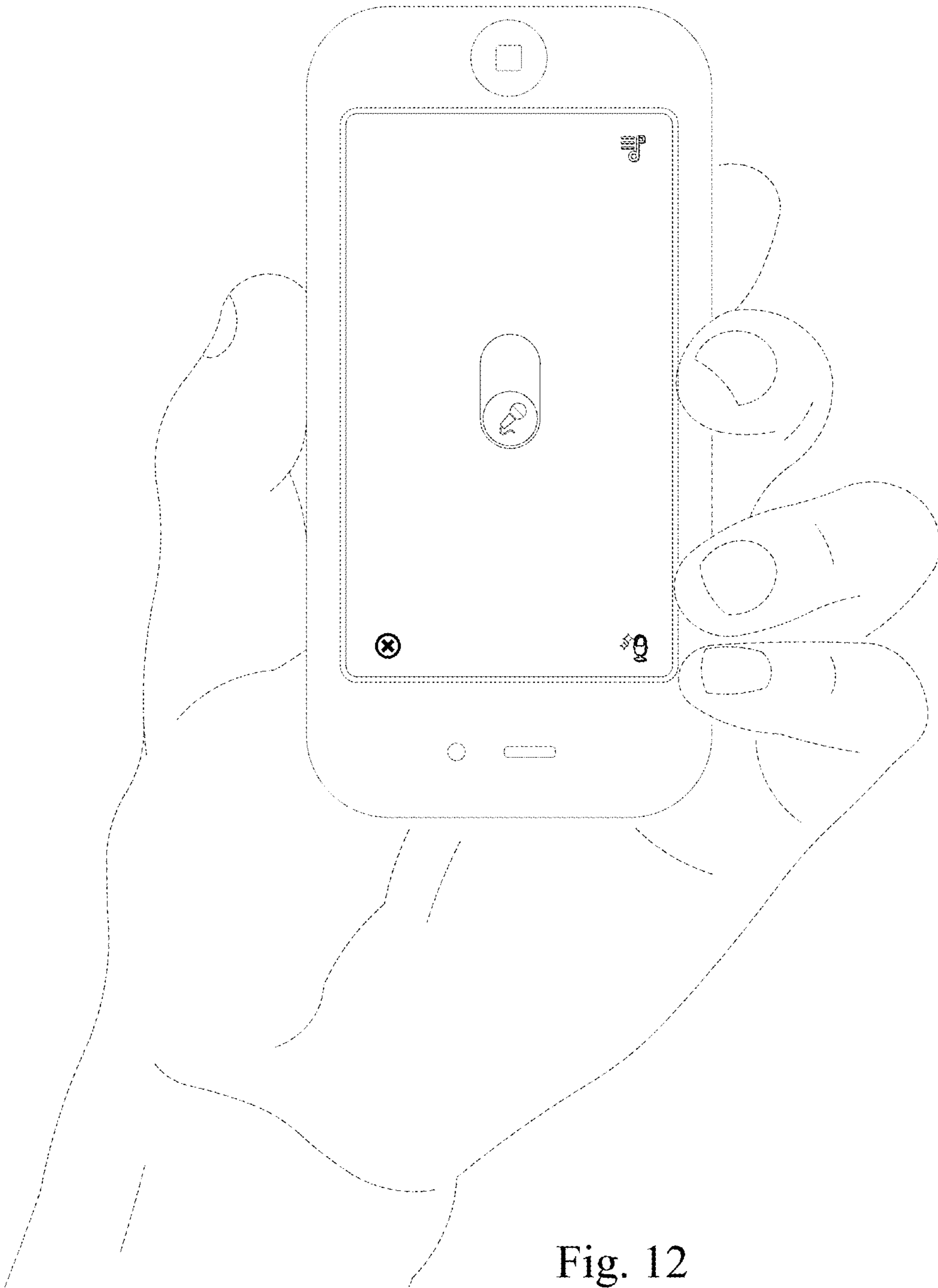


Fig. 12