



US00D839284S

(12) **United States Design Patent**
Pillalamarri et al.

(10) **Patent No.:** **US D839,284 S**
(45) **Date of Patent:** **** Jan. 29, 2019**

(54) **DISPLAY SCREEN WITH A GRAPHICAL USER INTERFACE**

(71) Applicant: **INSULET CORPORATION**, Billerica, MA (US)

(72) Inventors: **Sandhya Pillalamarri**, Methuen, MA (US); **Jorge Borges**, Billerica, MA (US)

(73) Assignee: **INSULET CORPORATION**, Billerica, MA (US)

(**) Term: **15 Years**

(21) Appl. No.: **29/658,906**

(22) Filed: **Aug. 3, 2018**

Related U.S. Application Data

(62) Division of application No. 29/606,870, filed on Jun. 8, 2017, now Pat. No. Des. 826,956.

(51) **LOC (11) Cl.** **14-04**

(52) **U.S. Cl.**
USPC **D14/485**

(58) **Field of Classification Search**
USPC D14/485-495; 345/1.1, 1.2, 2.1-2.3, 3.1, 345/902; 715/763, 810, 836, 837, 846, 715/847, 977

CPC G06F 3/048; G06F 3/0481; G06F 3/04812; G06F 3/04817; G06F 3/0482; G06F 3/0483; G06F 3/0484; G06F 3/04847; G06F 3/0485; G06F 3/04855; G06F 3/04886; G06Q 30/00; H03J 1/00; H03J 1/0008; H03J 1/0016; H03J 1/0025; H04N 5/00; H04N 5/08; H04N 5/14; H04N 5/222; H04N 5/225; H04N 5/232; H04N 5/445; H04N 5/44543; H04N 5/45; H04N 2005/44517; H04N 2005/44521; H04N 2005/44526; H04N 2005/4453; H04N 2005/44534; H04N 2005/44539; H04N 2005/44547; H04N 2005/44556;

H04N 2005/4456; H04N 2005/44565; H04N 2005/44569; H04N 2005/44573; H04N 21/00; H04N 21/234; H04N 21/431; H04N 21/4312; H04N 21/4314; H04N 21/4316

See application file for complete search history.

(56) **References Cited**

U.S. PATENT DOCUMENTS

D720,366 S * 12/2014 Hiltunen D14/487
D734,356 S * 7/2015 Xiong D14/487
D738,901 S * 9/2015 Amin D14/487
D755,799 S * 5/2016 Finnis D14/485

(Continued)

OTHER PUBLICATIONS

Gad, Tess. "Framer Cheat Sheet: Slider & Range Sliders." blog. framer.com. Jun. 12, 2017. Accessed Oct. 25, 2018. Available online at URL: <<https://blog.framer.com/framer-cheat-sheets-slider-range-sliders-3dd2e5a4621d>> (Year: 2017).*

(Continued)

Primary Examiner — Cathron C Brooks

Assistant Examiner — Christian P. McLean

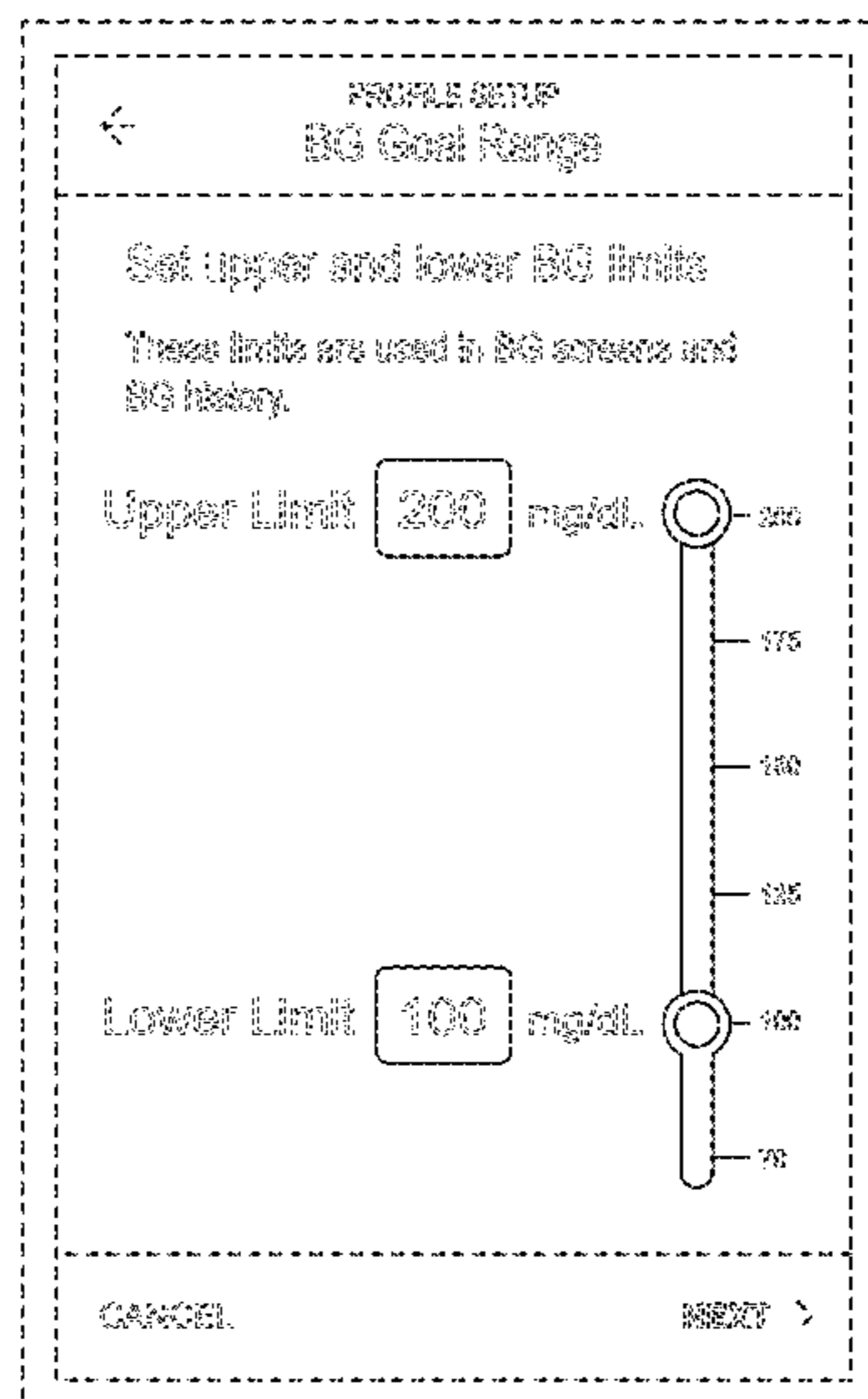
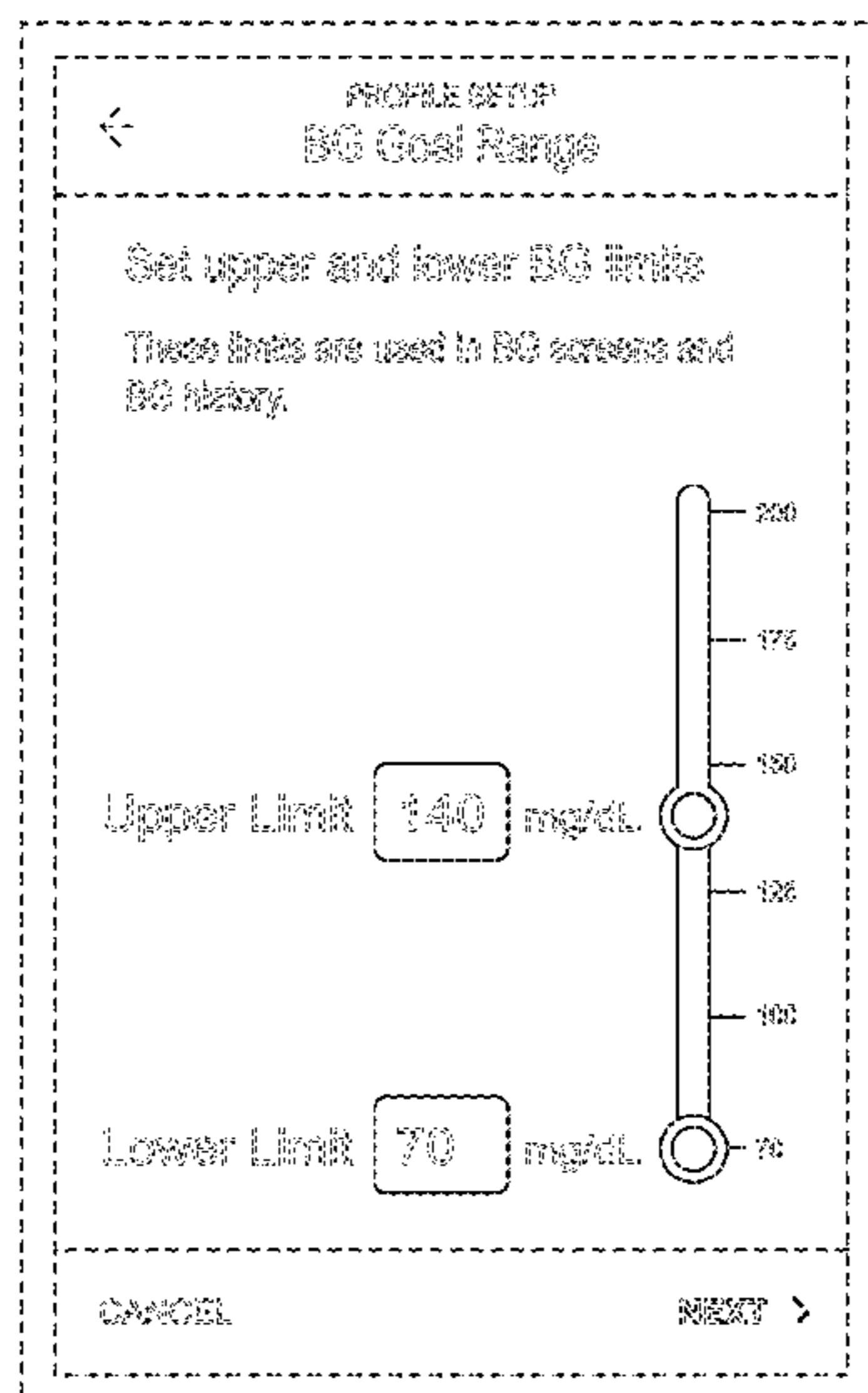
(57) **CLAIM**

The ornamental design for a display screen with a graphical user interface, as shown and described.

DESCRIPTION

FIG. 1 is a front view of a display screen with a graphical user interface showing our new design; and, FIG. 2 is a front view of a second embodiment thereof. The outermost broken line illustrates a display screen and forms no part of the claimed design. The remaining broken lines illustrate portions of the graphical user interface that form no part of the claimed design.

1 Claim, 2 Drawing Sheets



(56)

References Cited

U.S. PATENT DOCUMENTS

D768,154 S *	10/2016	Kim	D14/485
D768,188 S *	10/2016	Li	D14/488
D768,685 S *	10/2016	Lee	D14/486
D797,116 S *	9/2017	Chapman	D14/485
D802,011 S *	11/2017	Friedman	D14/488
D826,956 S *	8/2018	Pillalamarri	D14/485
D830,407 S *	10/2018	Kisielius	D14/487
2013/0346858 A1 *	12/2013	Neyrinck	G06F 3/04847 715/716
2014/0088428 A1 *	3/2014	Yang	A61B 8/4444 600/443
2014/0129951 A1 *	5/2014	Amin	G06Q 50/30 715/738

OTHER PUBLICATIONS

“Creating NSSlider with 2 knobs (range slider).” stackoverflow.com. May 6, 2015. Accessed Oct. 25, 2018. Available online at URL: <<https://stackoverflow.com/questions/30082809/creating-nsslider-with-2-knobs-range-slider>> (Year: 2015).*

* cited by examiner

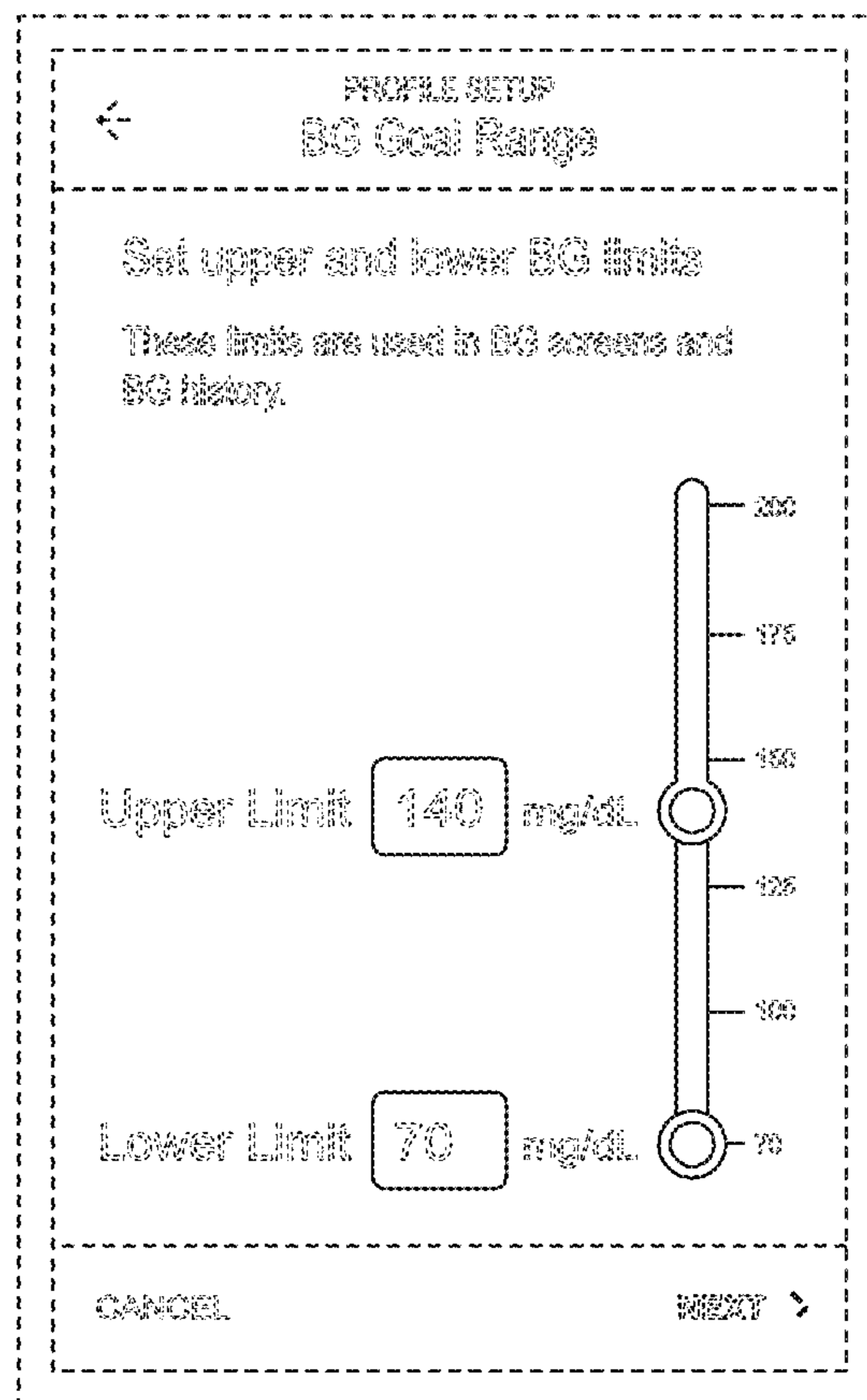


FIG. 1

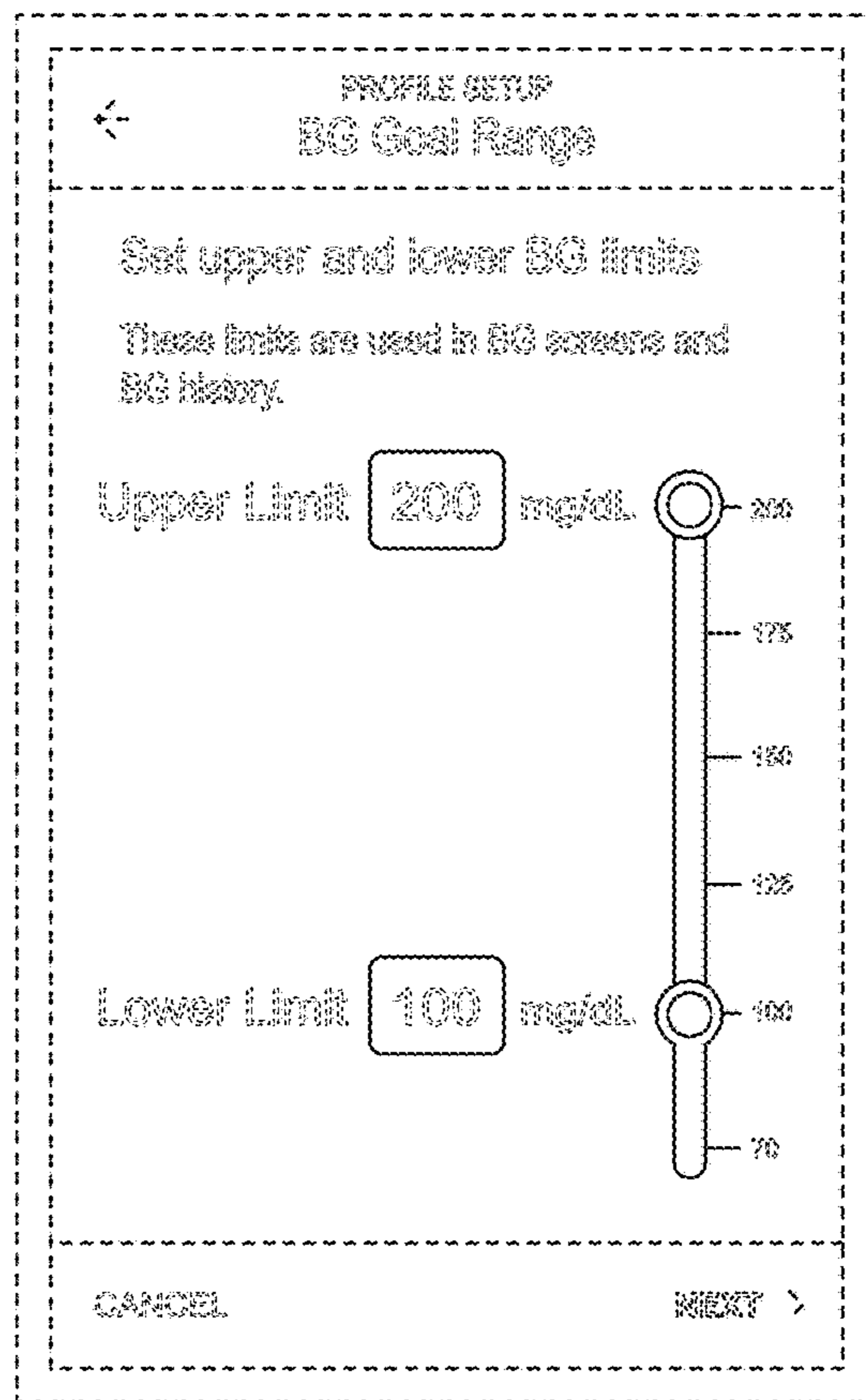


FIG. 2