



US00D839283S

(12) **United States Design Patent**
Day et al.

(10) **Patent No.:** **US D839,283 S**
(45) **Date of Patent:** **** Jan. 29, 2019**

(54) **DISPLAY SCREEN OR PORTION THEREOF WITH A GRAPHICAL USER INTERFACE**

(71) Applicant: **General Electric Company**,
Schenectady, NY (US)

(72) Inventors: **Andrew Day**, Newton, PA (US);
Kunter Akbay, Niskayuna, NY (US);
Christopher Johnson, Niskayuna, NY (US);
David Toledano, Round Lake, NY (US);
Peter Katlic, Schenectady, NY (US);
Bex Thomas, Laguna Niguel, CA (US)

(73) Assignee: **GENERAL ELECTRIC COMPANY**,
Schenectady, NY (US)

(**) Term: **15 Years**

(21) Appl. No.: **29/621,347**

(22) Filed: **Oct. 6, 2017**

Related U.S. Application Data

(62) Division of application No. 29/537,433, filed on Aug. 26, 2015, now Pat. No. Des. 803,234.

(51) **LOC (11) Cl.** **14-04**

(52) **U.S. Cl.**
USPC **D14/485**

(58) **Field of Classification Search**
USPC D14/485-495
CPC G06F 3/0482; G06F 3/04817
See application file for complete search history.

(56) **References Cited**

U.S. PATENT DOCUMENTS

5,359,712 A 10/1994 Cohen et al.
D553,142 S * 10/2007 Blencowe D14/486
D606,559 S 12/2009 Kocmick
8,442,843 B2 * 5/2013 Kneuer A61B 5/01
705/2
D692,916 S 11/2013 Granchi et al.

D711,904 S * 8/2014 Sundy D14/486
D735,733 S * 8/2015 Hontz, Jr. D14/485
D741,879 S 10/2015 Chapman et al.
D747,333 S 1/2016 Supino et al.
D751,574 S 3/2016 Forsblom
D752,618 S 3/2016 Lee et al.
D764,497 S 8/2016 Seo et al.
D765,698 S 9/2016 Kwon

(Continued)

OTHER PUBLICATIONS

United States Patent and Trademark Office, "Notice of Allowance", issued in connection with U.S. Appl. No. 29/537,433, dated Aug. 21, 2017, 11 pages.

(Continued)

Primary Examiner — Richelle G Shelton

(74) *Attorney, Agent, or Firm* — Hanley, Flight and Zimmerman, LLC

(57) **CLAIM**

The ornamental design for a display screen or portion thereof with a graphical user interface, substantially as shown and described.

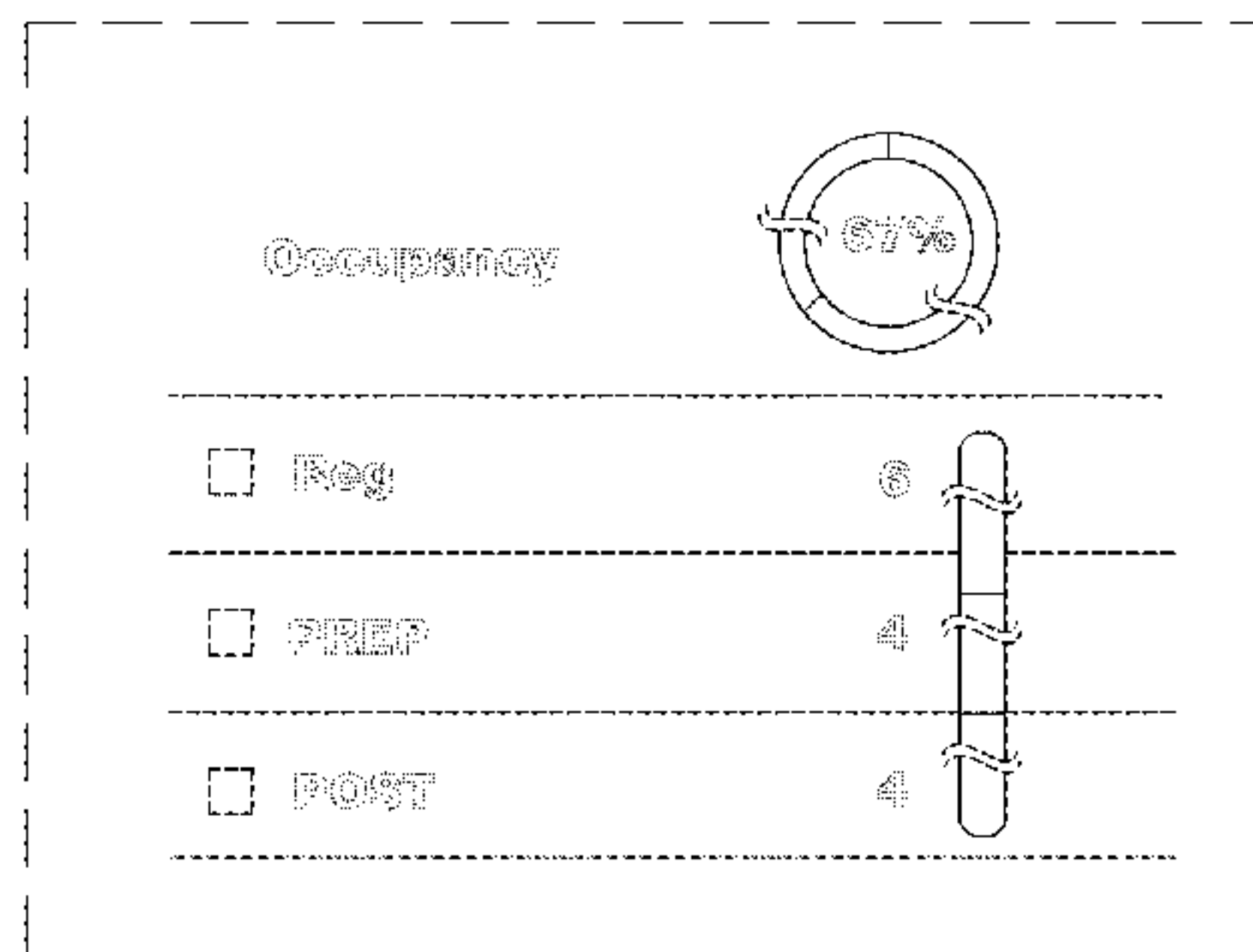
DESCRIPTION

A portion of the disclosure of this patent document contains material which is subject to copyright protection. The copyright owner has no objection to the facsimile reproduction by anyone of the patent document or the patent disclosure, as it appears in the Patent and Trademark Office patent file or records, but otherwise reserves all copyright rights whatsoever.

The FIGURE is a front view of a display screen or portion thereof with a graphical user interface.

The broken lines representing the display screen or portion thereof and the remainder of the graphical user interface form no part of the claimed design.

1 Claim, 1 Drawing Sheet



(56)

References Cited

U.S. PATENT DOCUMENTS

D766,915	S	9/2016	Sublett et al.	
D766,924	S	9/2016	Wang et al.	
D766,958	S	9/2016	Salazar Cardozo et al.	
D781,299	S *	3/2017	Yun	D14/485
D781,314	S *	3/2017	Astrom	D14/486
D781,326	S *	3/2017	Bray	D14/486
D801,349	S *	10/2017	Day	D14/485
D807,901	S *	1/2018	Guinness	D14/486
D814,499	S *	4/2018	Ok	D14/486
2012/0272957	A1 *	11/2012	Chapman	A61M 16/0045 128/203.12
2013/0032147	A1 *	2/2013	Robinson	A61M 16/0051 128/204.18
2014/0200909	A1	7/2014	Felix et al.	
2015/0302539	A1	10/2015	Mazar et al.	
2017/0061093	A1	3/2017	Amarasingham et al.	

OTHER PUBLICATIONS

United States Patent and Trademark Office, "Non-Final office action", issued in connection with U.S. Appl. No. 29/537,433, dated Apr. 20, 2017, 12 pages.

United States Patent and Trademark Office, "Requirement for Restriction", issued in connection with U.S. Appl. No. 29/537,433, dated Nov. 9, 2016, 7 pages.

* cited by examiner

