



US00D839275S

(12) **United States Design Patent**  
**Moore et al.**

(10) **Patent No.:** **US D839,275 S**  
(45) **Date of Patent:** **\*\* Jan. 29, 2019**

(54) **DEVICE COVER**

- (71) Applicant: **Amazon Technologies, Inc.**, Seattle, WA (US)
- (72) Inventors: **Jesse Wheeler Moore**, Oakland, CA (US); **Monica Liane Mecchella**, San Francisco, CA (US)
- (73) Assignee: **Amazon Technologies, Inc.**, Seattle, WA (US)
- (\*\*) Term: **15 Years**
- (21) Appl. No.: **29/634,132**
- (22) Filed: **Jan. 18, 2018**
- (51) **LOC (11) Cl.** ..... **14-02**
- (52) **U.S. Cl.**  
USPC ..... **D14/440**
- (58) **Field of Classification Search**  
USPC ..... D14/440; 206/45.23, 320, 45.2;  
361/679.55; 294/25; 224/218  
CPC ... G06F 1/1628; G06F 1/1626; A47B 23/044;  
H04B 1/3888; H05K 5/0217  
See application file for complete search history.

(56) **References Cited**

**U.S. PATENT DOCUMENTS**

D467,429 S	12/2002	Bone et al.	
D674,801 S *	1/2013	Wharram	D13/102
D676,448 S	2/2013	Gorman et al.	
D676,449 S *	2/2013	Probst	D14/440
D688,249 S *	8/2013	Wharram	D14/440
8,542,495 B1	9/2013	Gorman et al.	
D695,745 S *	12/2013	Kim	D14/440
D704,693 S *	5/2014	Kim	D14/250
D706,270 S *	6/2014	Akana	D14/440
D707,229 S	6/2014	Almodova	
D723,038 S *	2/2015	Kim	D14/440
D736,777 S	8/2015	Rayner	
D742,889 S	11/2015	Mecchella et al.	
D742,890 S	11/2015	Mecchella et al.	

(Continued)

**OTHER PUBLICATIONS**

Indian Office Action dated Dec. 29, 2016 for Indian Design Application No. 289109, a counterpart foreign application of Design U.S. Appl. No. 29/567,140, 2 pages.  
(Continued)

*Primary Examiner* — Cynthia R Underwood  
(74) *Attorney, Agent, or Firm* — Lee & Hayes, PC

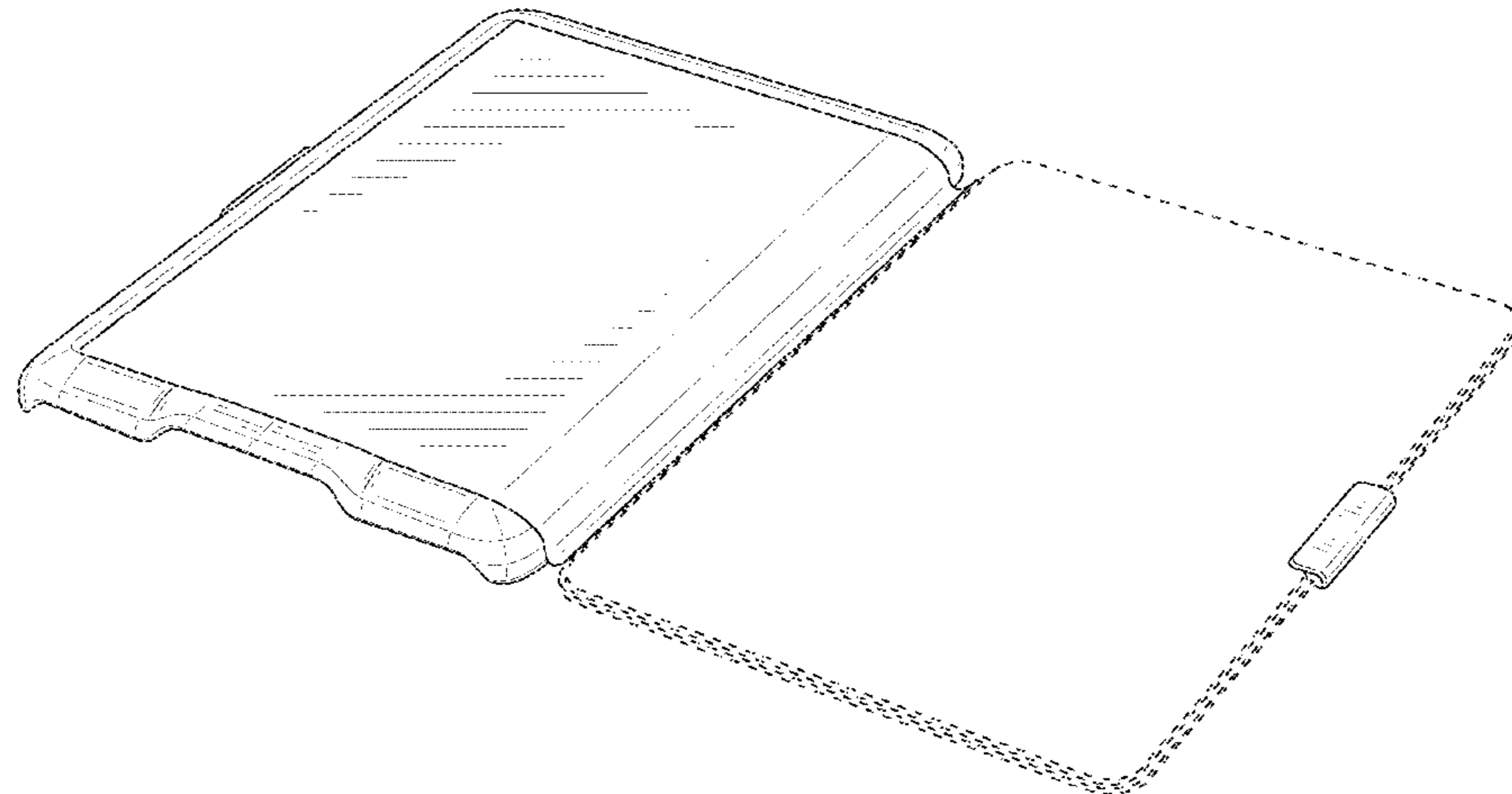
(57) **CLAIM**

The ornamental design for a device cover, as shown and described.

**DESCRIPTION**

FIG. 1 is a first perspective view of a device cover, taken from above;  
FIG. 2 is a front view of the device cover as shown in FIG. 1;  
FIG. 3 is a back view of the device cover as shown in FIG. 1;  
FIG. 4 is a left-side view of the device cover as shown in FIG. 1;  
FIG. 5 is a right-side view of the device cover as shown in FIG. 1;  
FIG. 6 is a top view of the device cover as shown in FIG. 1;  
FIG. 7 is a bottom view of the device cover as shown in FIG. 1;  
FIG. 8 is a second perspective view of the device cover shown in FIG. 1, showing interior surfaces of the device cover in an opened state; and,  
FIG. 9 is a third perspective view of the device cover shown in FIG. 1, showing exterior surfaces of the device cover in the opened state.  
The broken lines depict portions of the device cover which form no part of the claimed design.

**1 Claim, 7 Drawing Sheets**



(56)

**References Cited**

U.S. PATENT DOCUMENTS

D748,097 S 1/2016 Feng  
 D748,636 S 2/2016 Zadvinskis  
 D753,123 S 4/2016 Probst et al.  
 9,307,131 B1 4/2016 Breen  
 D761,798 S 7/2016 Lee et al.  
 D765,086 S 8/2016 Lee et al.  
 D765,663 S 9/2016 Shih et al.  
 D768,638 S 10/2016 Lee et al.  
 D774,036 S 12/2016 Kuntz et al.  
 D776,050 S \* 1/2017 Awad ..... D13/102  
 D781,278 S 3/2017 Kim et al.  
 D787,520 S \* 5/2017 Wall ..... D14/440  
 D792,412 S 7/2017 Zhang  
 D792,887 S 7/2017 Zhang  
 D799,491 S \* 10/2017 Barnard ..... D14/440  
 D808,393 S \* 1/2018 Moore ..... D14/440  
 D810,088 S \* 2/2018 Moore ..... D14/440  
 D810,750 S \* 2/2018 Chang ..... D14/434  
 2007/0097087 A1 5/2007 Homer et al.

2008/0194139 A1 8/2008 Chan  
 2012/0043235 A1 2/2012 Klement  
 2013/0015088 A1\* 1/2013 Wu ..... A45C 11/00  
 206/320  
 2013/0264459 A1 10/2013 McCosh et al.  
 2016/0011628 A1 1/2016 Sato

OTHER PUBLICATIONS

YouTube, "Device Cover", retrieved at <<<https://www.youtube.com/watch?v=SRpbkDXTFM>>>, Published Jun. 19, 2015, 2 pages.  
 YouTube, "Device Covers", retrieved at <<<https://www.youtube.com/watch?v=Qalpu9h35rw>>>, Published Apr. 18, 2014, 2 pages.  
 Indian Office Action dated May 11, 2018 for Indian Design Application No. 289109, a counterpart foreign application of U.S. Pat. No. D. 811,411, 1 page.  
 Brazilian Office Action dated Jul. 24, 2018 for Brazilian design application No. BR3020160056650, a counterpart foreign application of U.S. Design No. D811,411,140, 2 pages.

\* cited by examiner

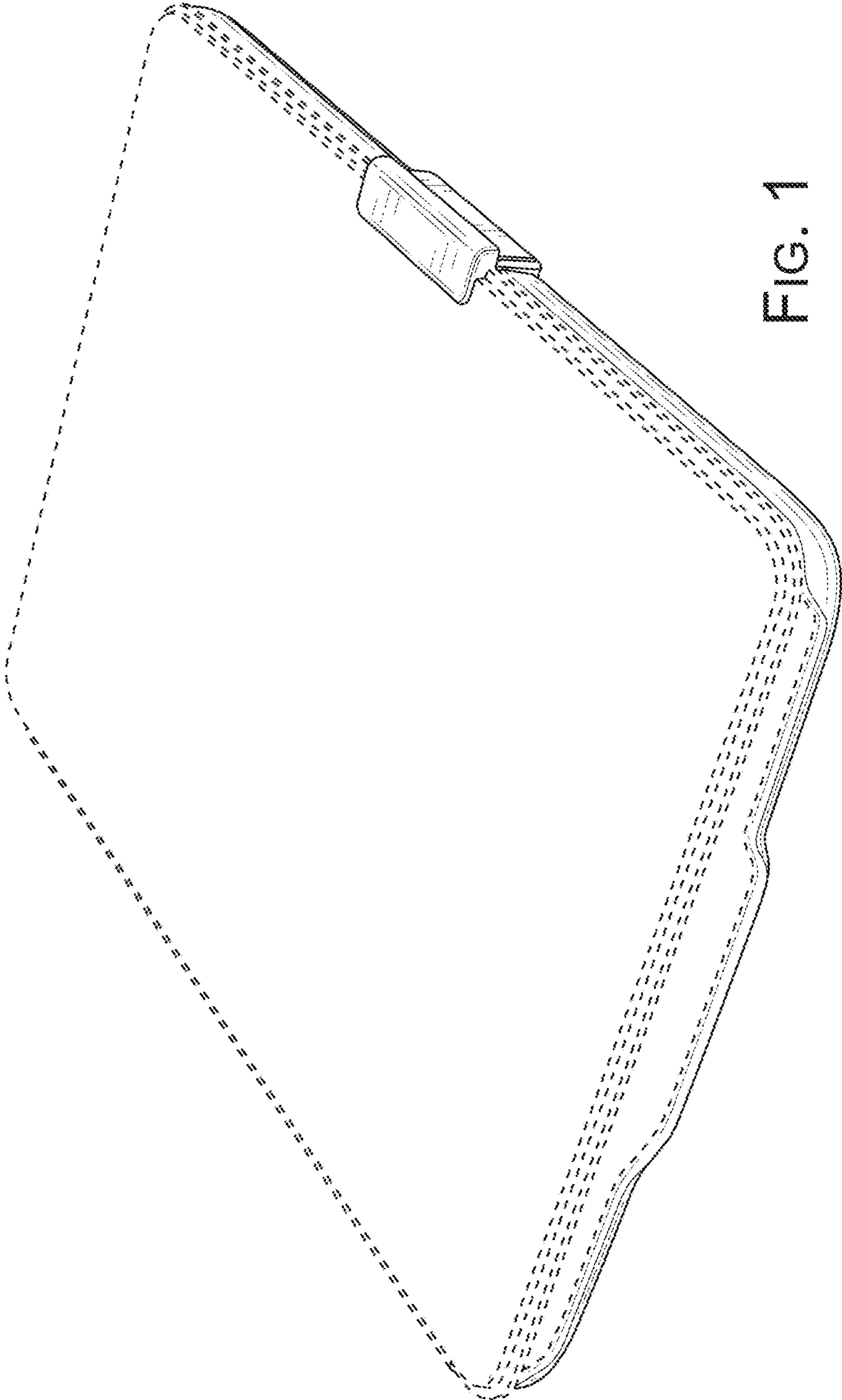


FIG. 1

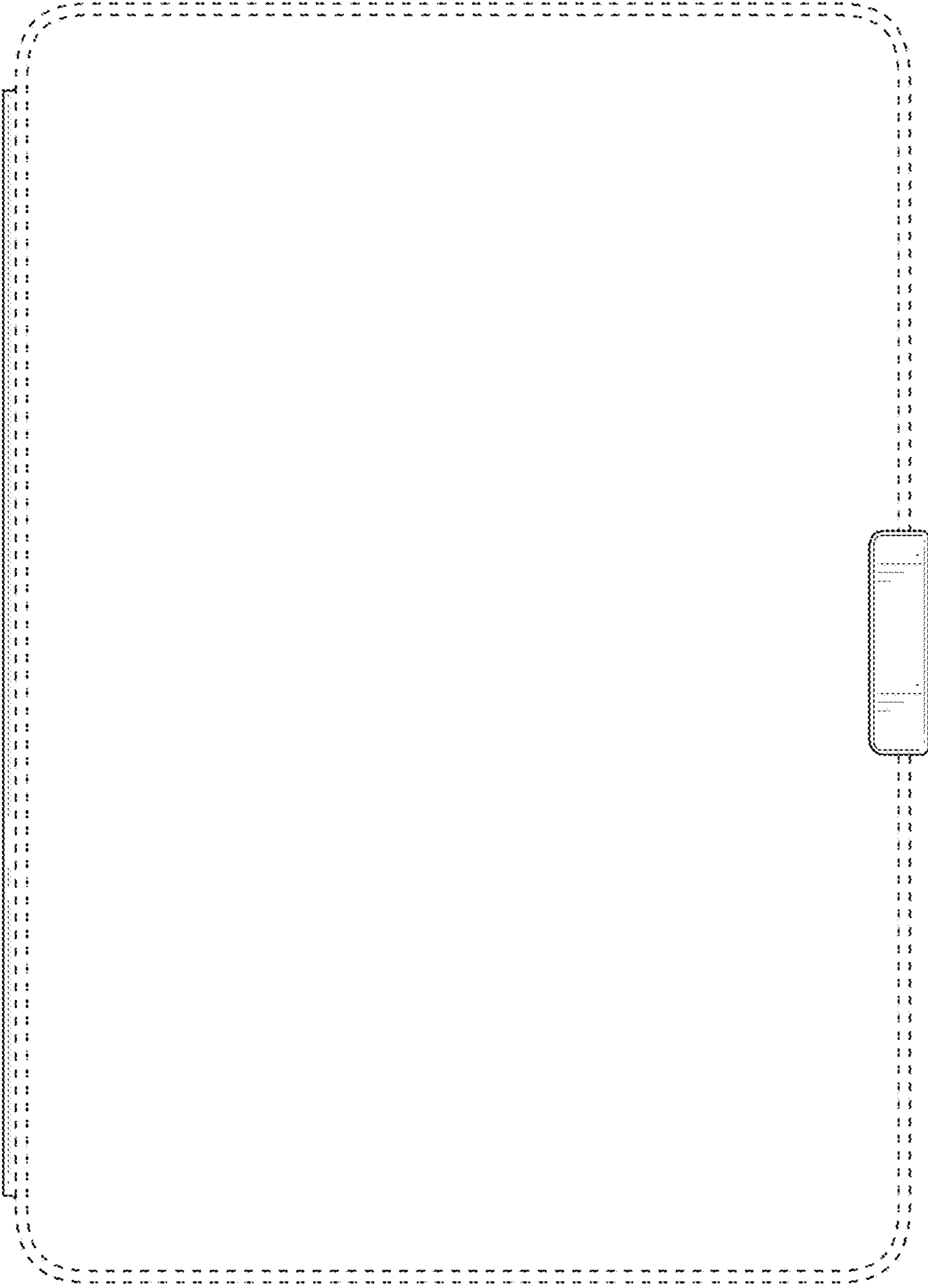


FIG. 2

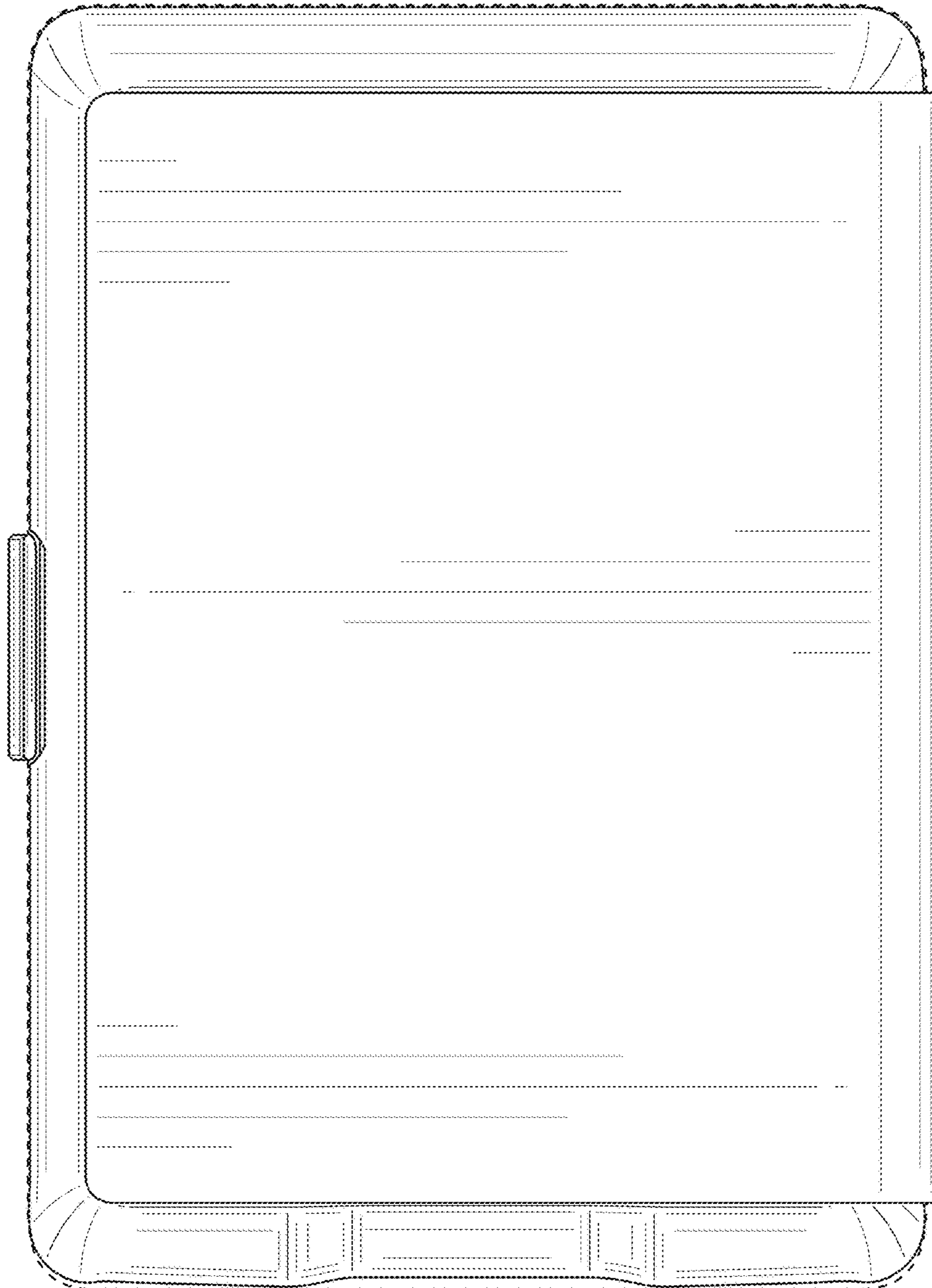


FIG. 3

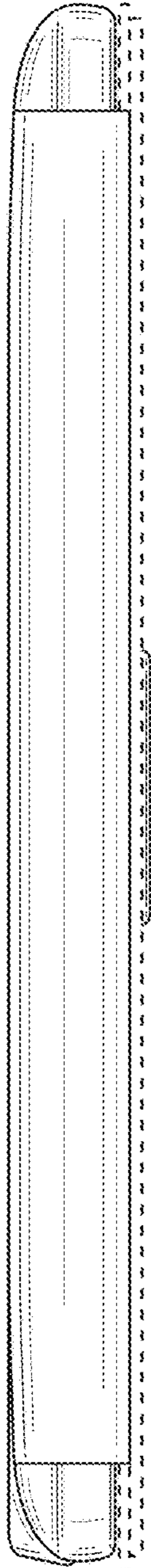


FIG. 4

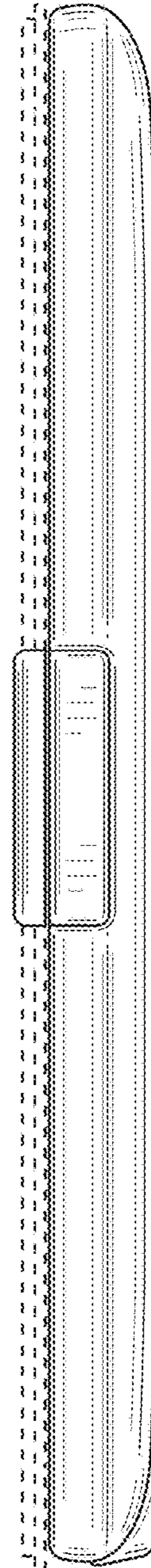


FIG. 5

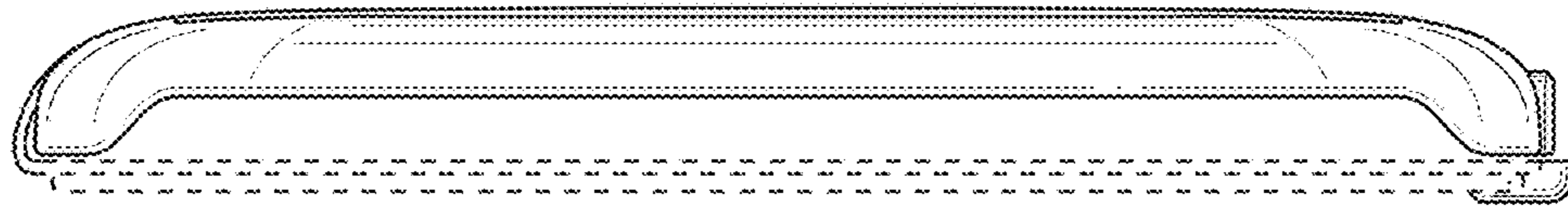


FIG. 6

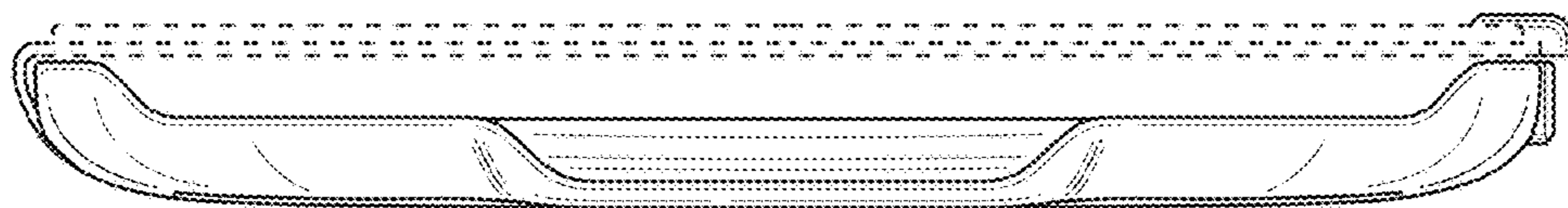


FIG. 7

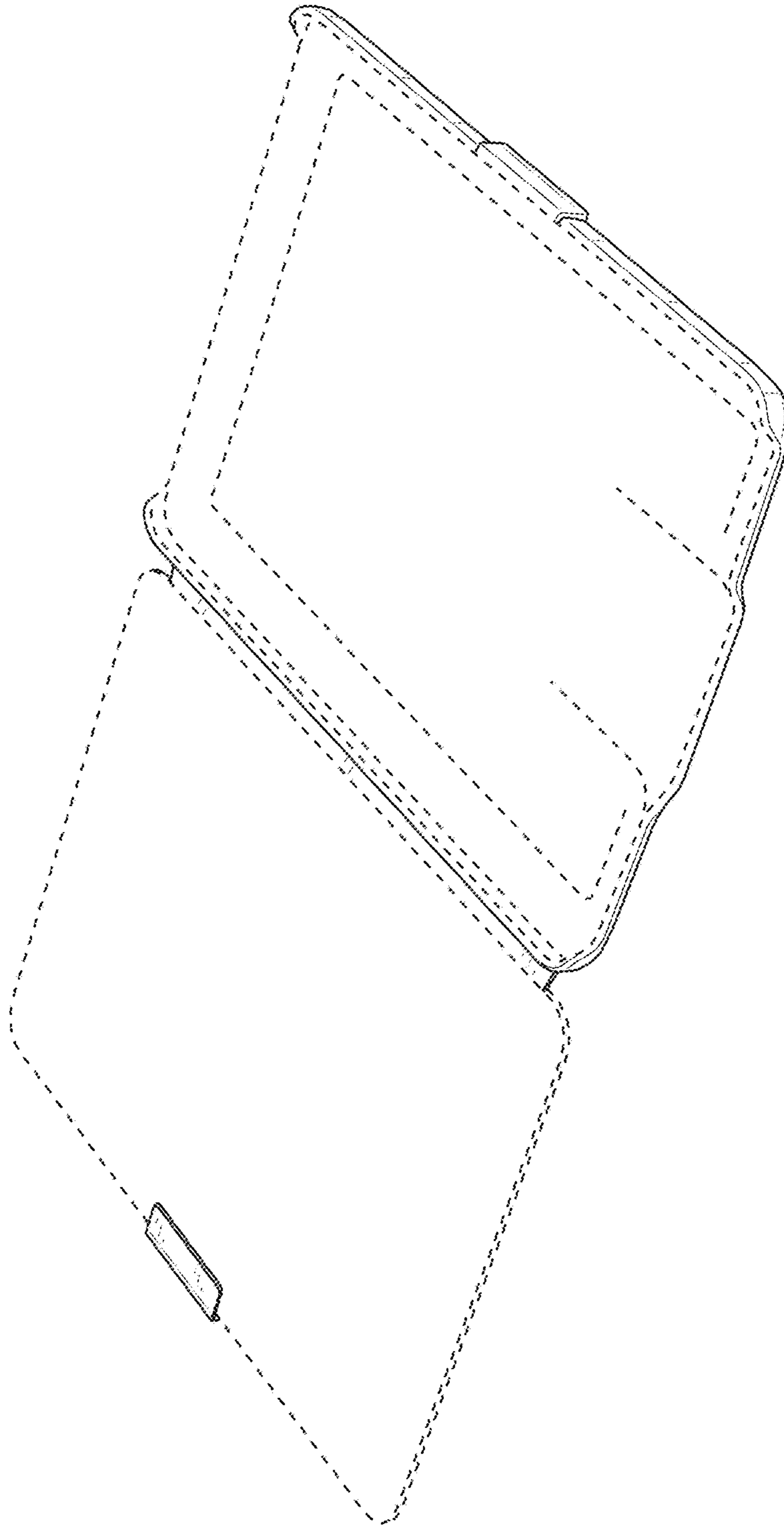


FIG. 8





FIG. 9