



US00D839273S

(12) **United States Design Patent** (10) **Patent No.:** **US D839,273 S**
He (45) **Date of Patent:** **** Jan. 29, 2019**

(54) **MULTIFUNCTIONAL HUB (USB 3.1)**

(71) Applicant: **DONGGUAN CITY JIANGHAN ELECTRONICS CO., LTD,**
Guangdong (CN)

(72) Inventor: **Tiejun He,** Guangdong (CN)

(**) Term: **15 Years**

(21) Appl. No.: **29/621,993**

(22) Filed: **Oct. 13, 2017**

(51) **LOC (11) Cl.** **14-03**

(52) **U.S. Cl.**
USPC **D14/435.1**

(58) **Field of Classification Search**
USPC D14/435.1, 480.1-480.7, 411, 433, 436,
D14/484.1, 137, 155, 203.1-203.8, 240,
D14/242, 133, 154
CPC H05K 5/0278; G06K 19/07732
See application file for complete search history.

(56) **References Cited**

U.S. PATENT DOCUMENTS

D462,953 S * 9/2002 Jang D14/299
D606,999 S * 12/2009 He D14/480.7
D618,694 S * 6/2010 Andre D14/480.6
D643,427 S * 8/2011 McGoldrick D14/356
D647,097 S * 10/2011 Tung D14/436

D669,455 S * 10/2012 Huang D14/240
D705,189 S * 5/2014 Chovin D14/159
D705,748 S * 5/2014 He D14/155
D776,659 S * 1/2017 Hou D14/433
D782,476 S * 3/2017 Yamazaki D14/240
D784,356 S * 4/2017 Luo D14/480.1
D791,749 S * 7/2017 Tzeng D14/242
D828,354 S * 9/2018 Chuang D14/433

* cited by examiner

Primary Examiner — Angela J Lee

(74) *Attorney, Agent, or Firm* — Prakash Nama; Global IP Services, PLLC

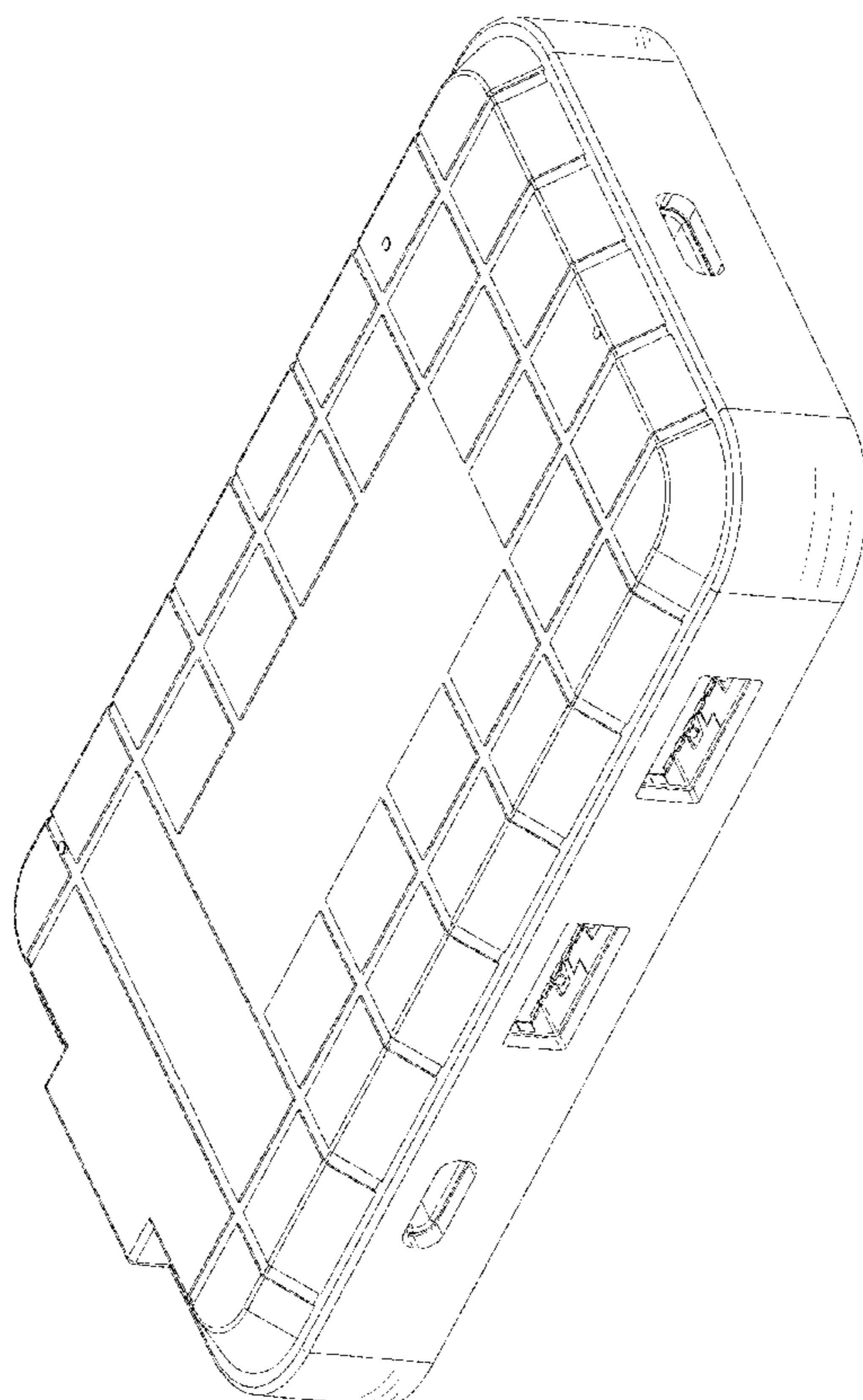
(57) **CLAIM**

The ornamental design for a multifunctional hub (USB 3.1), as shown and described.

DESCRIPTION

FIG. 1 is a front elevational view of a multifunctional hub (USB 3.1) showing my new design; FIG. 2 is a rear elevational view thereof; FIG. 3 is a left side view thereof; FIG. 4 is a right side view thereof; FIG. 5 is a top plan view thereof; FIG. 6 is a bottom plan view thereof; FIG. 7 is a perspective view thereof; and, FIG. 8 is another perspective view thereof. The broken lines shown in FIG. 2 form no part of the claimed design.

1 Claim, 6 Drawing Sheets



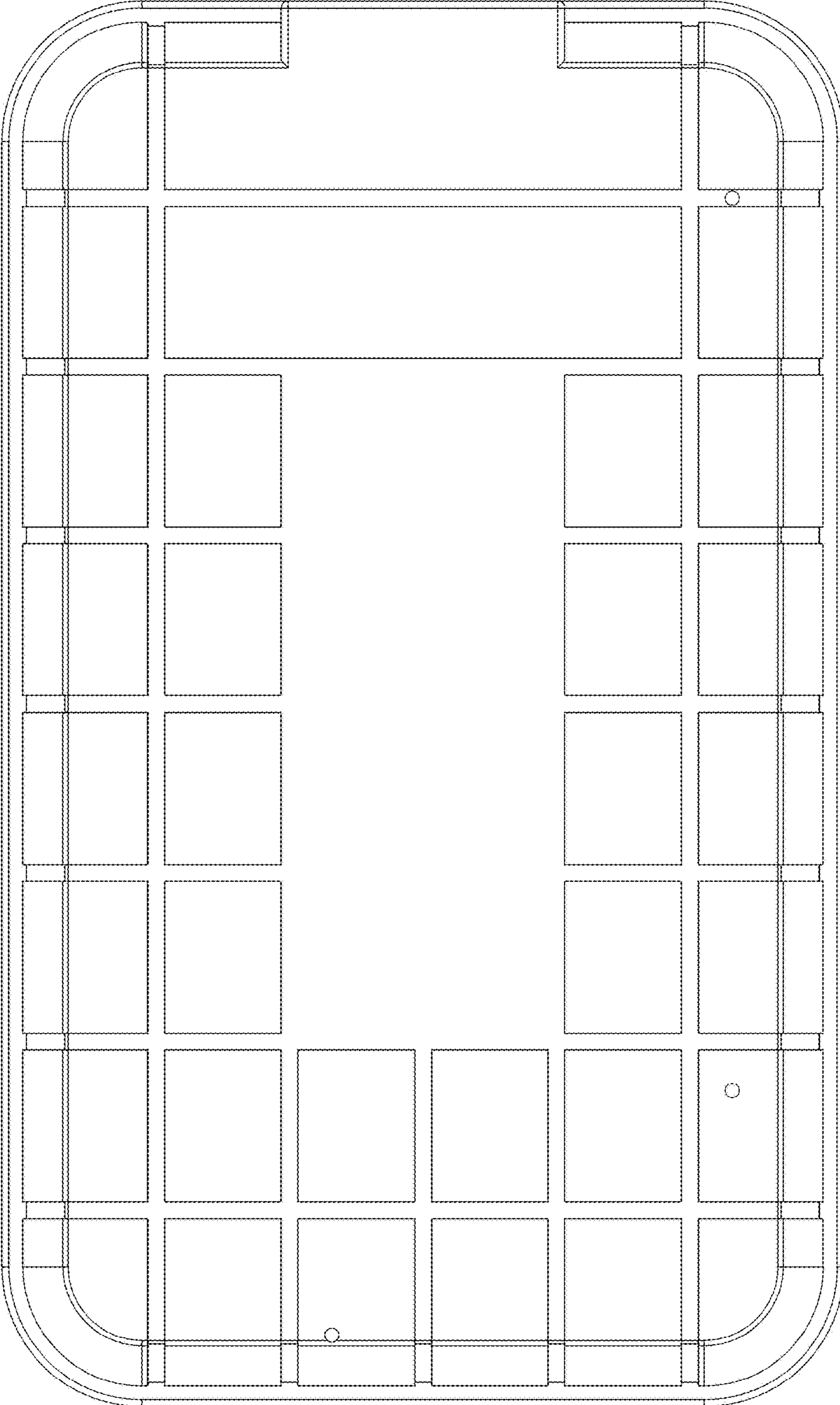


FIG. 1

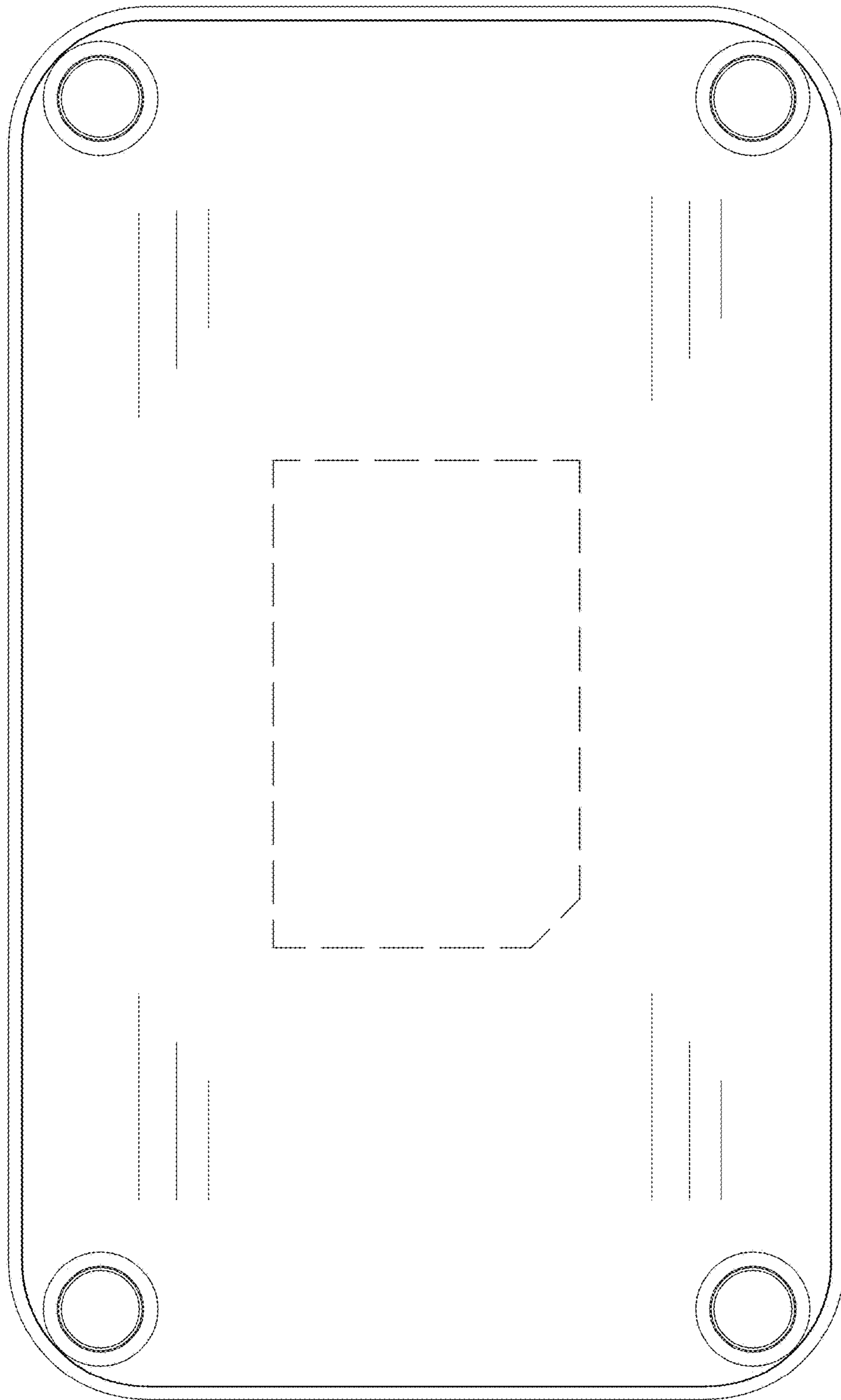


FIG. 2

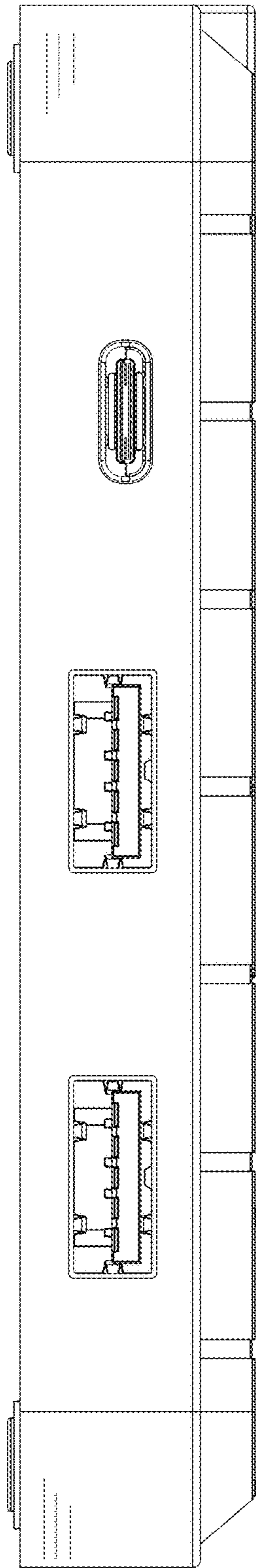


FIG. 3

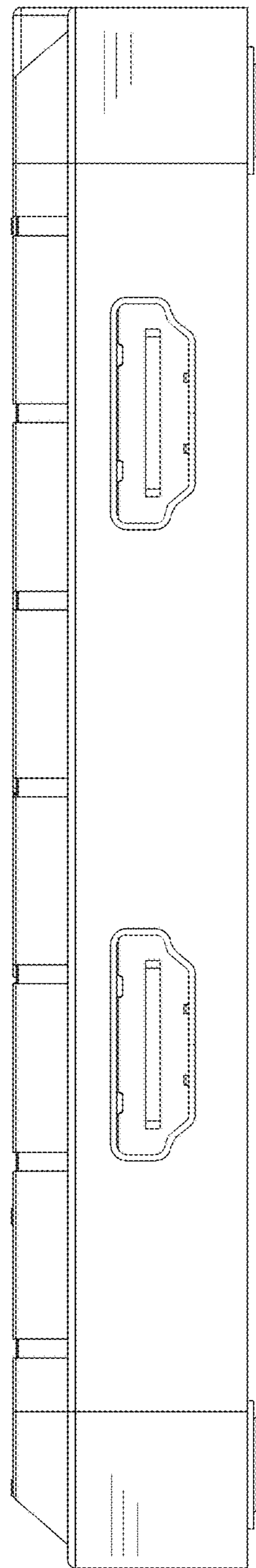


FIG. 4

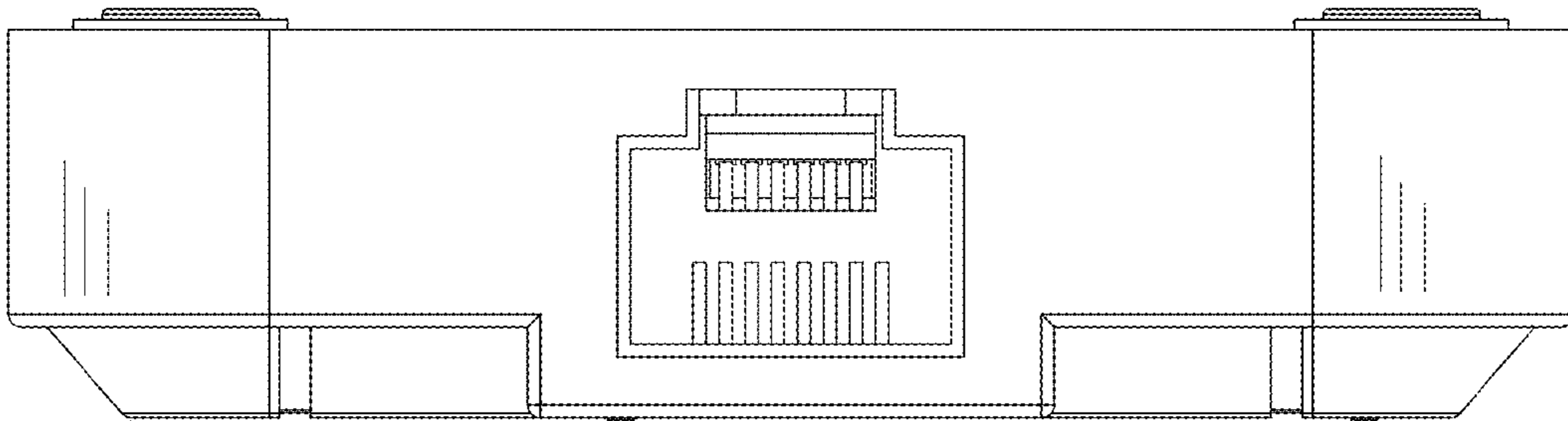


FIG. 5

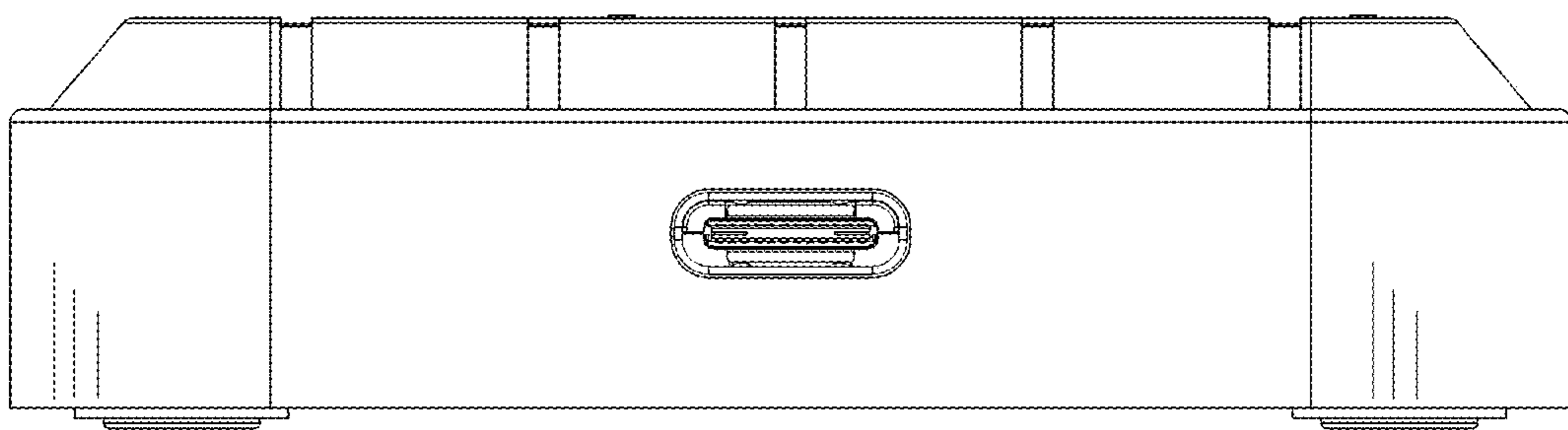


FIG. 6

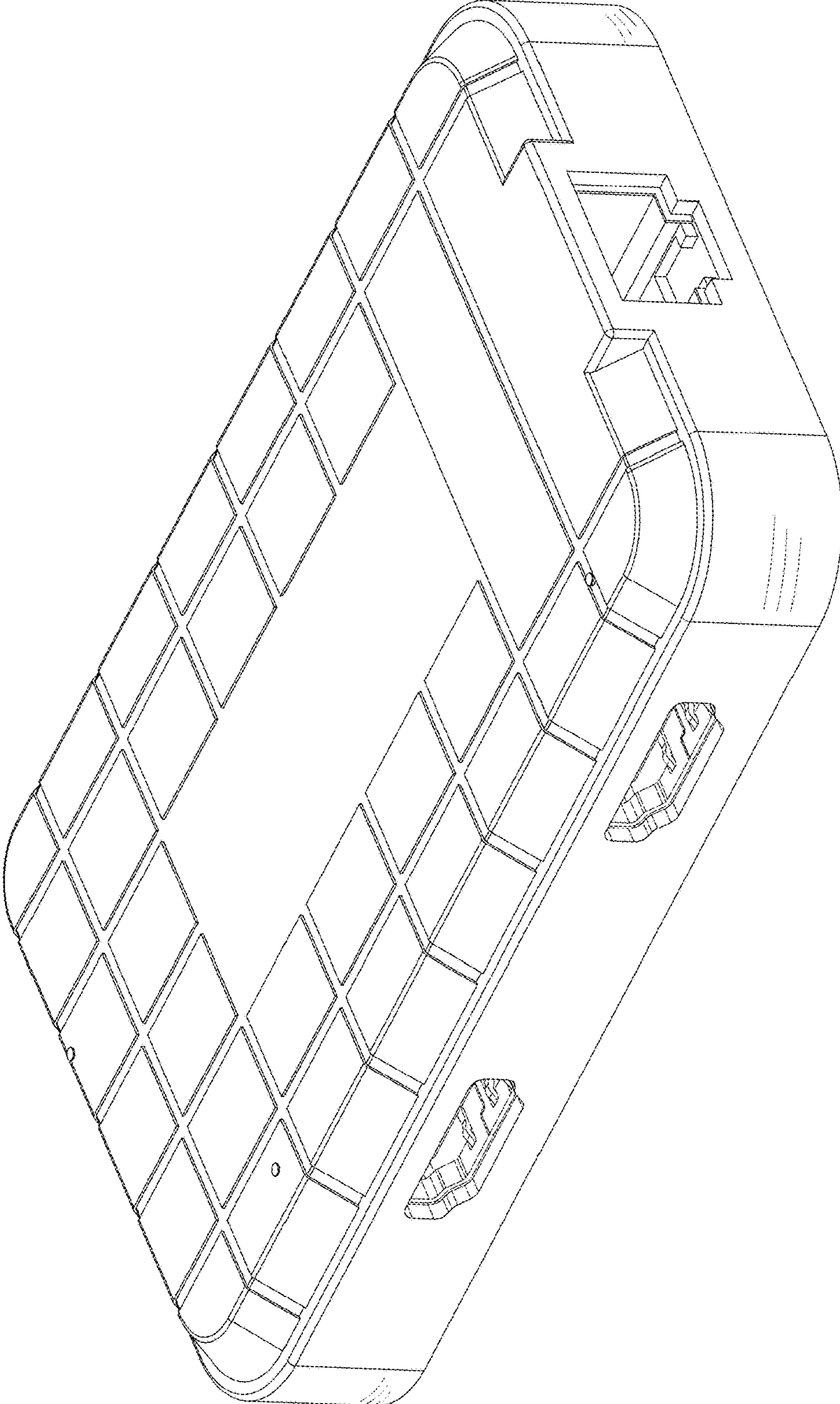


FIG. 7

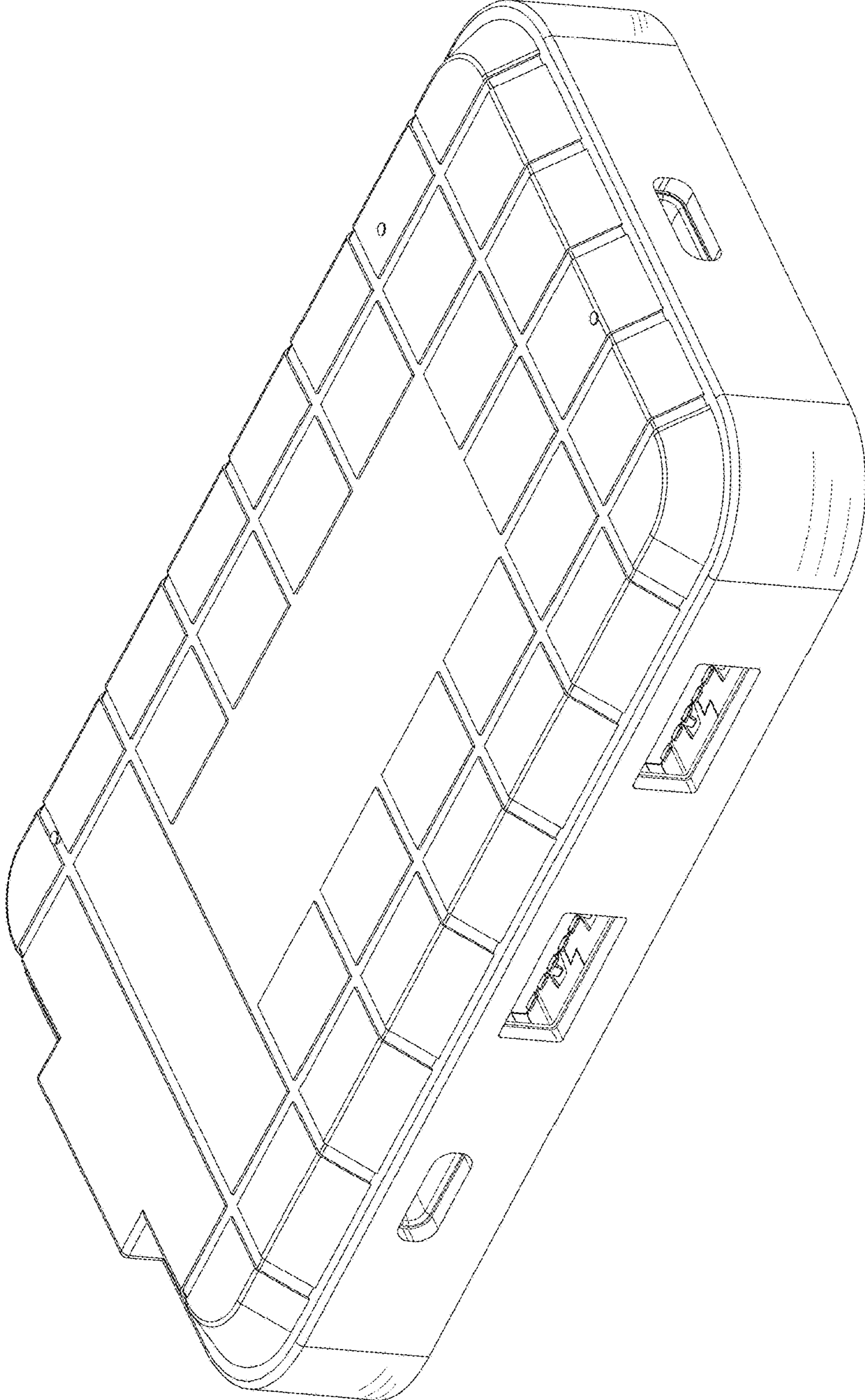


FIG. 8