



US00D839271S

(12) **United States Design Patent** (10) **Patent No.:** **US D839,271 S**
King-Murrey et al. (45) **Date of Patent:** **** Jan. 29, 2019**

(54) **RECEPTACLE FOR A TOUCH MEMBER FOR MOBILE ELECTRONIC DEVICES**
(71) Applicants: **Stacy J King-Murrey**, Ravensdale, WA (US); **Lloyd L Murrey**, Ravensdale, WA (US)
(72) Inventors: **Stacy J King-Murrey**, Ravensdale, WA (US); **Lloyd L Murrey**, Ravensdale, WA (US)
(73) Assignees: **Stacy J. King-Murrey**, Ravensdale, WA (US); **Lloyd L. Murrey**, Ravensdale, WA (US)
(**) Term: **15 Years**
(21) Appl. No.: **29/567,401**
(22) Filed: **Jun. 8, 2016**
(51) **LOC (11) Cl.** **14-02**
(52) **U.S. Cl.**
USPC **D14/432**; D14/411; D19/83
(58) **Field of Classification Search**
USPC D14/411, 385, 432, 434, 431, 454, 238; D19/81, 83, 84
CPC H02J 7/0044; G06F 3/0354; G06F 1/16; G06F 1/1632
See application file for complete search history.

D486,523 S * 2/2004 Lederer D19/83
D506,225 S * 6/2005 Mills D19/77
D573,652 S * 7/2008 Esfahani D19/81
D584,313 S * 1/2009 Pittel D14/434
D608,394 S * 1/2010 Leanza D19/81
D617,382 S * 6/2010 Guirlinger B43M 99/003
D19/83
D618,244 S * 6/2010 Sweet D14/299
D641,414 S * 7/2011 Guirlinger D19/83
D656,095 S * 3/2012 Cacioppo D13/108
(Continued)

(56) **References Cited**
U.S. PATENT DOCUMENTS
2,362,582 A * 11/1944 Pearson B43K 23/00
33/DIG. 1
3,106,994 A * 10/1963 Scott F16B 5/0291
403/231
D359,309 S * 6/1995 Bracken D19/81
D371,370 S * 7/1996 Fenton D14/230
D396,042 S * 7/1998 Rosen D14/239
D426,548 S * 6/2000 Oross D14/432
D438,564 S * 3/2001 Green D19/135
D446,548 S * 8/2001 Green D19/81

OTHER PUBLICATIONS

GOPOD Stylus holder for iPad Pro; Published on YouTube by IDables on Sep. 4, 2016; <https://www.youtube.com/watch?v=ty1MN-zRASE>.*

Primary Examiner — Janice Hallmark
(74) *Attorney, Agent, or Firm* — Clark A. Puntigam; Jensen and Puntigam, P.S.

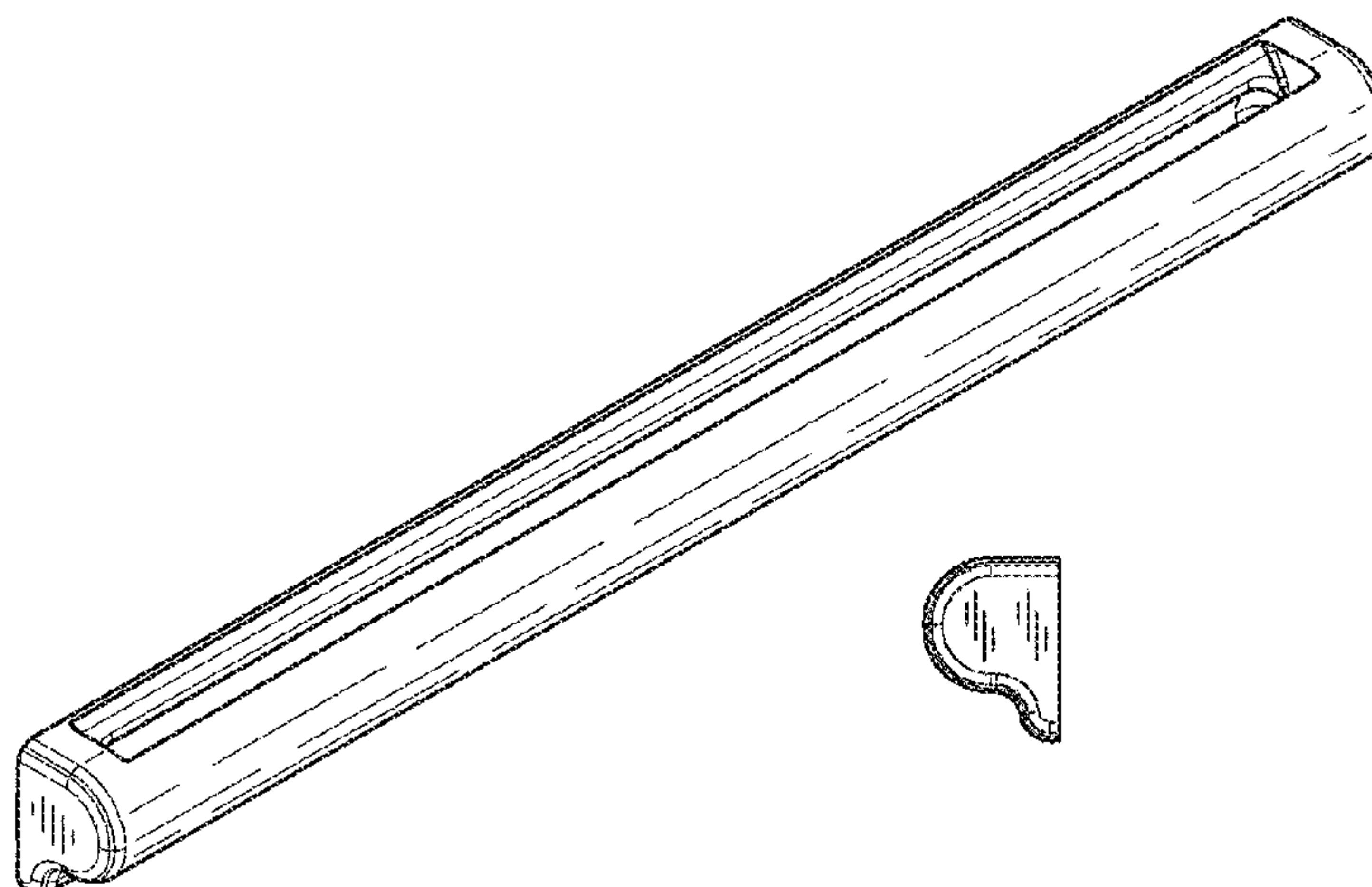
(57) **CLAIM**

The ornamental design for a receptacle for a touch member for mobile electronic devices, as shown and described.

DESCRIPTION

FIG. 1 is a left, top and front perspective view of the receptacle for a touch member for mobile electronic devices showing our new design.
FIG. 2 is a front view thereof;
FIG. 3 is a rear view thereof;
FIG. 4 is a top view of thereof;
FIG. 5 is a bottom view thereof;
FIG. 6 is a left end view thereof;
FIG. 7 is a right end view thereof;
FIG. 8 is a lateral cross sectional view thereof, taken along lines 8-8 of FIG. 2; and,
FIG. 9 is a longitudinal cross-sectional view thereof, taken along lines 9-9 of FIG. 6.

1 Claim, 3 Drawing Sheets



(56)

References Cited

U.S. PATENT DOCUMENTS

D665,449 S * 8/2012 Guirlinger D19/83
D693,820 S * 11/2013 Eastwood D14/432
9,110,629 B2 * 8/2015 Leung G06F 1/1607
9,327,544 B2 * 5/2016 Ceruzzi B43K 23/001
D771,055 S * 11/2016 Sharma D14/447
D792,408 S * 7/2017 Kuo D14/432
D798,304 S * 9/2017 Sung D14/447
9,839,147 B2 * 12/2017 Rohrbach B60R 11/0252
9,898,098 B2 * 2/2018 Immel G06F 3/03545
2002/0027357 A1 * 3/2002 Lake B42F 9/002
281/30
2012/0326003 A1 * 12/2012 Solow F16M 11/041
248/688
2013/0292530 A1 * 11/2013 Dang G06F 1/1656
248/229.2
2014/0029183 A1 * 1/2014 Ashcraft G06F 1/26
361/679.4
2015/0343831 A1 * 12/2015 Ceruzzi B43K 23/001
24/304
2018/0188834 A1 * 7/2018 Yang G06F 3/03545
2018/0191184 A1 * 7/2018 Yang H02J 7/0044

* cited by examiner

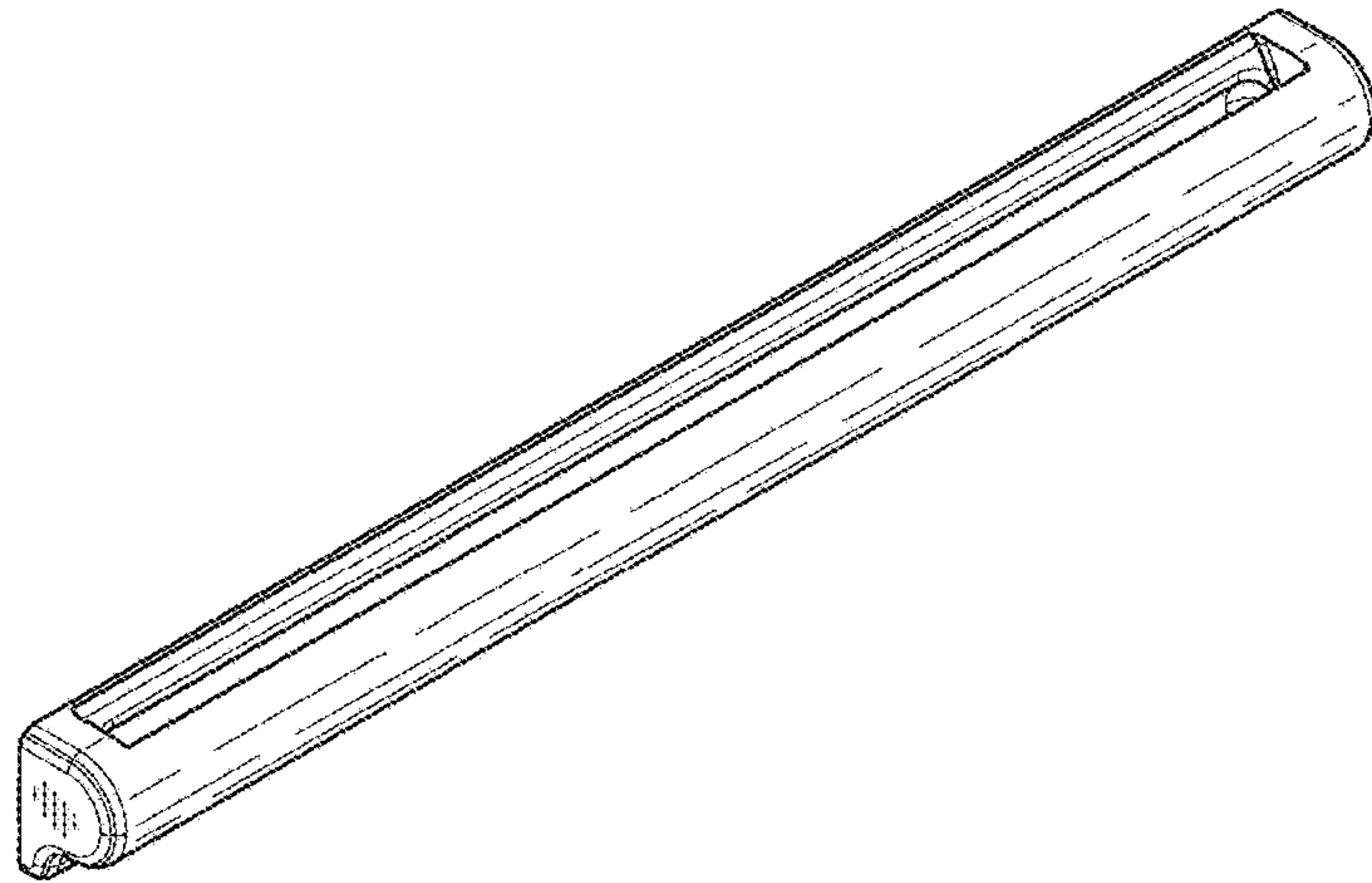


FIG. 1

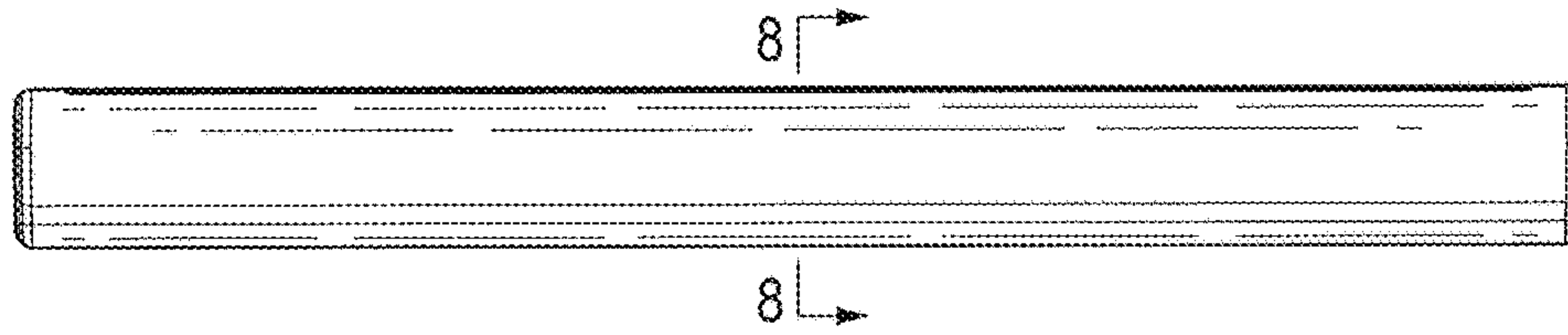


FIG. 2



FIG. 3



FIG. 4

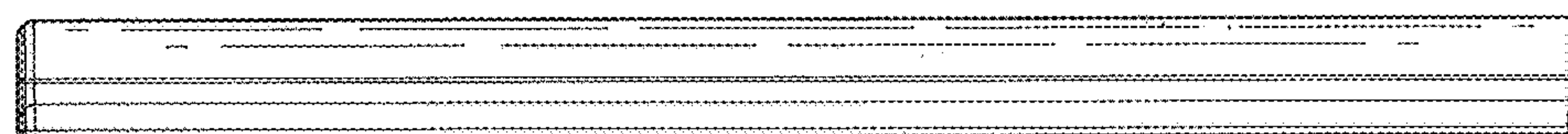


FIG. 5

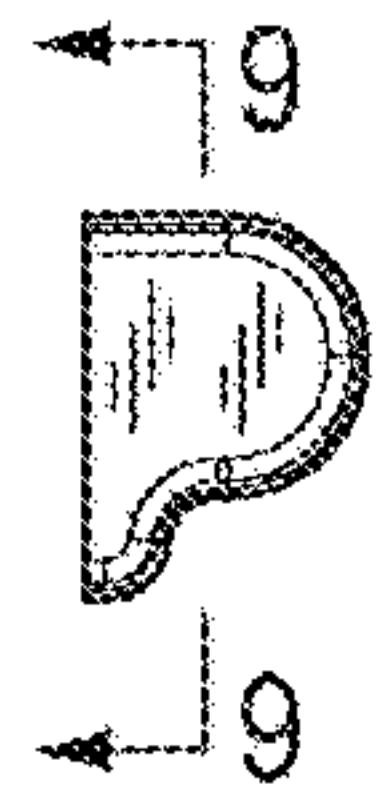


FIG. 6



FIG. 7



FIG. 8



FIG. 9