



US00D839269S

(12) **United States Design Patent**  
**Wang**

(10) **Patent No.:** **US D839,269 S**

(45) **Date of Patent:** **\*\* Jan. 29, 2019**

(54) **WEARABLE DEVICE**

(71) Applicants: **LEAPSY International Ltd.**, New Taipei (TW); **Po-Wen Wang**, New Taipei (TW)

(72) Inventor: **Po-Wen Wang**, New Taipei (TW)

(73) Assignees: **LEAPSY INTERNATIONAL LTD.**, New Taipei (TW); **Po-Wen Wang**, New Taipei (TW)

(\*\*) Term: **15 Years**

(21) Appl. No.: **29/622,835**

(22) Filed: **Oct. 20, 2017**

(30) **Foreign Application Priority Data**

Jul. 21, 2017 (TW) ..... 106304171

(51) **LOC (11) Cl.** ..... **14-02**

(52) **U.S. Cl.**  
USPC ..... **D14/372**

(58) **Field of Classification Search**  
USPC ..... D14/372, 496, 432, 371, 125, 126, 129, D14/299; D16/300-342; 351/158, 153, 351/144; 345/7-9, 905; 455/344; 348/115, 53, 121, 739  
CPC ..... G02B 27/017; G02B 27/0158; G02B 27/0161; G02B 27/0181; G02B 27/0185; G02B 27/0189

See application file for complete search history.

(56) **References Cited**

U.S. PATENT DOCUMENTS

D798,862 S	*	10/2017	Wang	.....	D14/372
D807,356 S	*	1/2018	Chou	.....	D14/372
D807,357 S	*	1/2018	Wu	.....	D14/372
D810,081 S	*	2/2018	Lin	.....	D14/372
D810,743 S	*	2/2018	Yee	.....	D14/372
D812,612 S	*	3/2018	Gribetz	.....	D14/372
D815,637 S	*	4/2018	Li	.....	D14/372
D816,670 S	*	5/2018	Hsu	.....	D14/372
D820,259 S	*	6/2018	Lee	.....	D14/372
D825,560 S	*	8/2018	Gribetz	.....	D14/372
D825,561 S	*	8/2018	Gribetz	.....	D14/372

\* cited by examiner

*Primary Examiner* — Austin Murphy

(74) *Attorney, Agent, or Firm* — Raymond Y. Chan; David and Raymond Patent Firm

(57) **CLAIM**

The ornamental design for a wearable device, as shown and described.

**DESCRIPTION**

FIG. 1 is a perspective view of wearable device showing my new design;

FIG. 2 is a front view thereof;

FIG. 3 is a rear view thereof;

FIG. 4 is a left side view thereof;

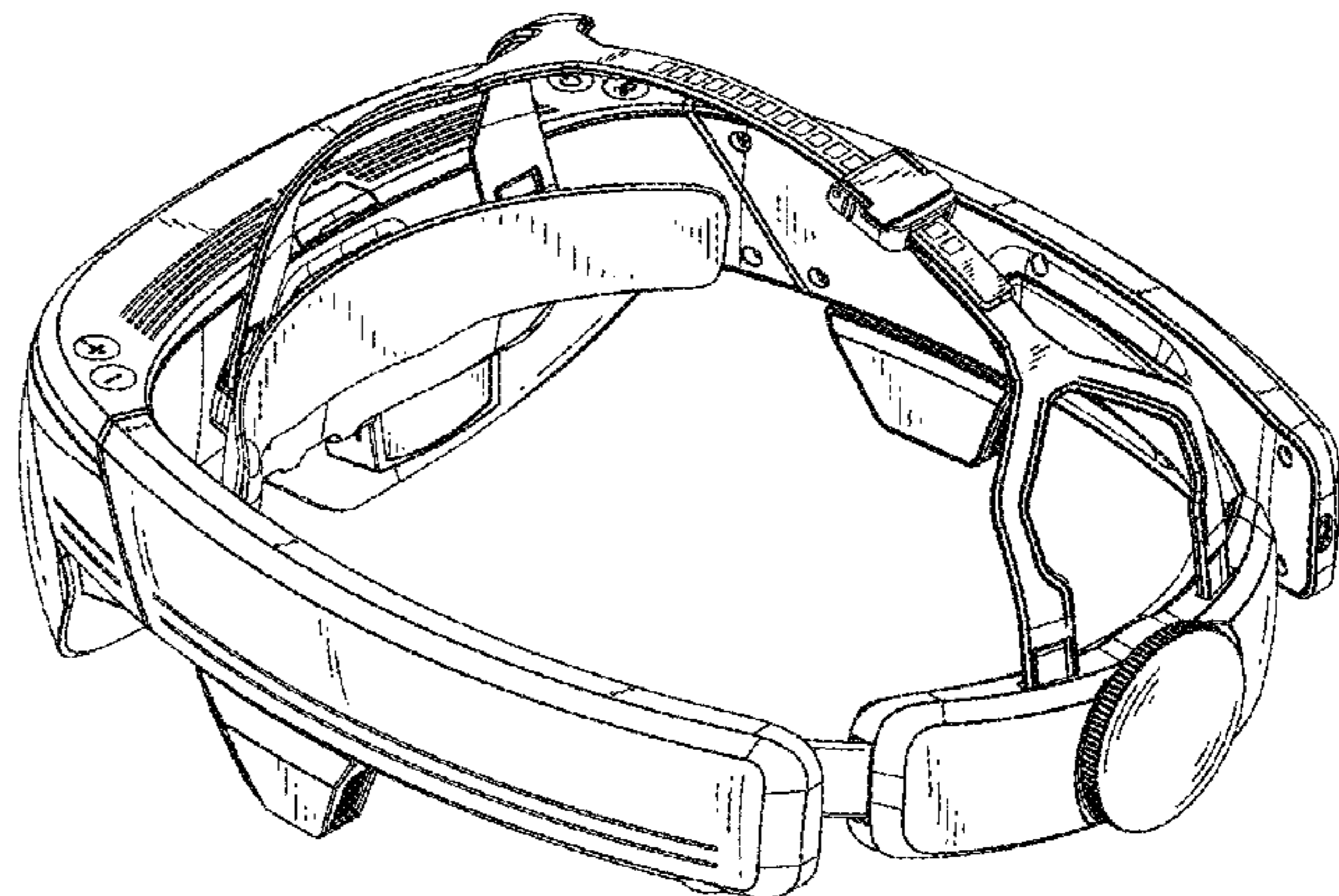
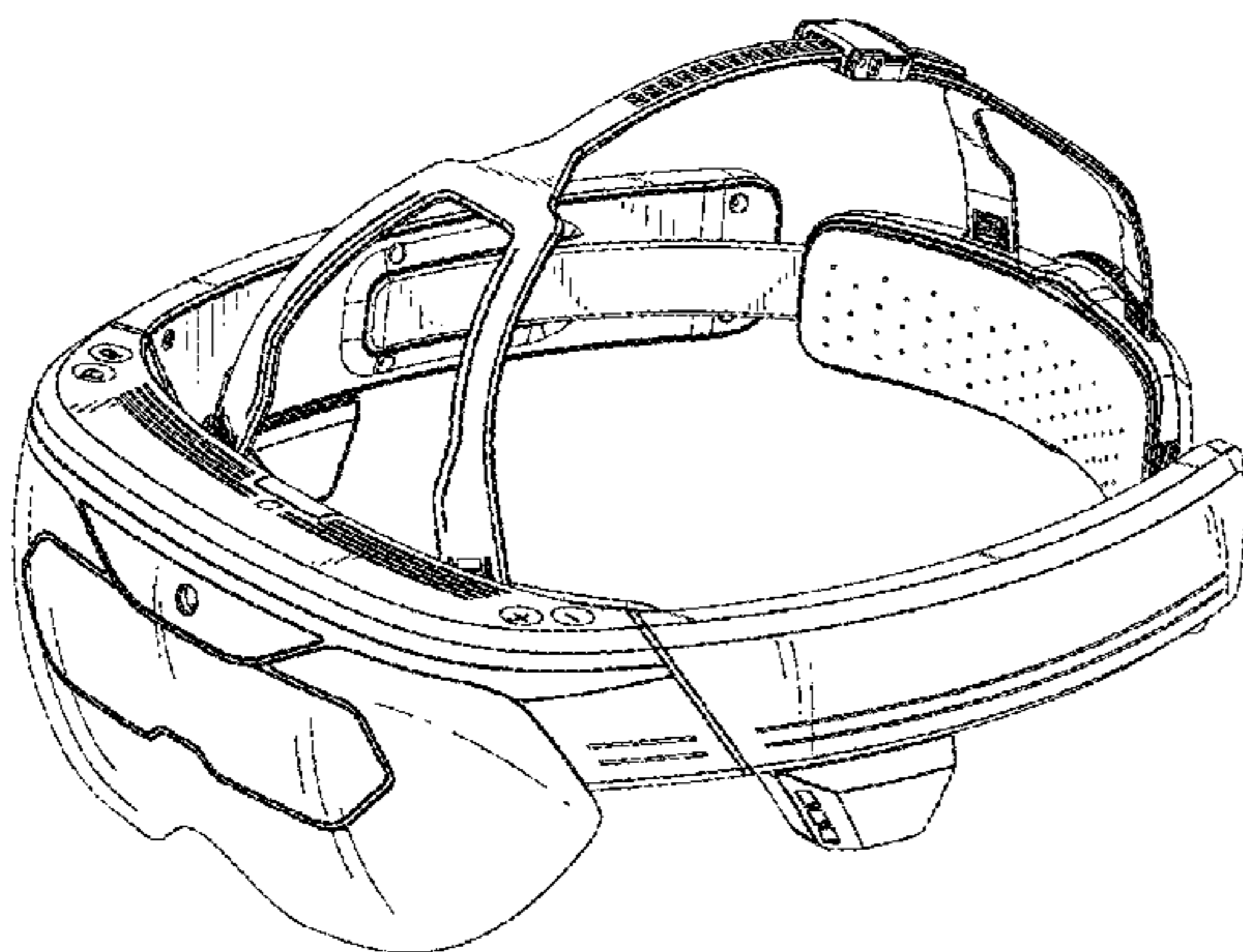
FIG. 5 is a right side view thereof;

FIG. 6 is a top view thereof;

FIG. 7 is a bottom view thereof; and,

FIG. 8 is another perspective view thereof.

**1 Claim, 8 Drawing Sheets**



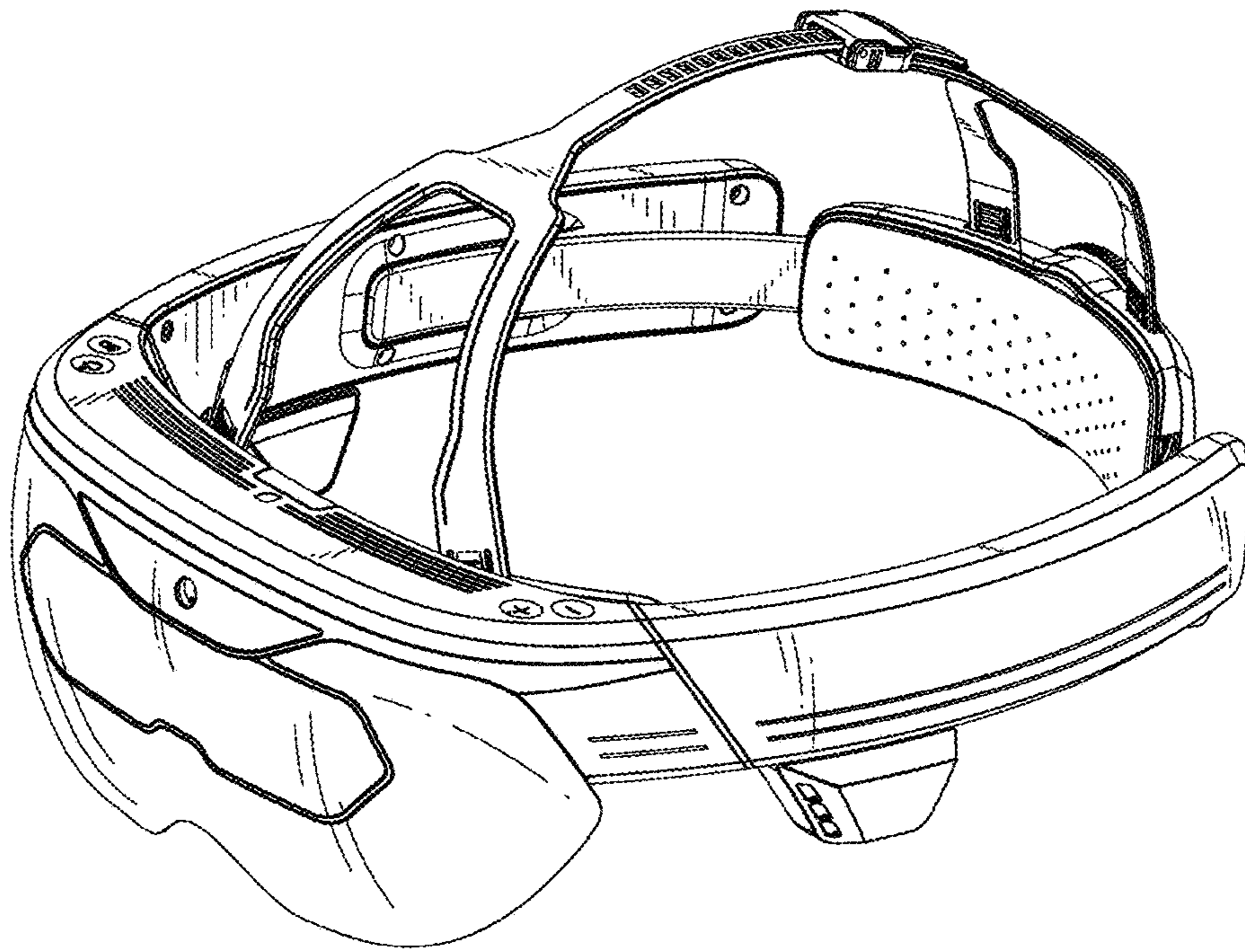


FIG. 1

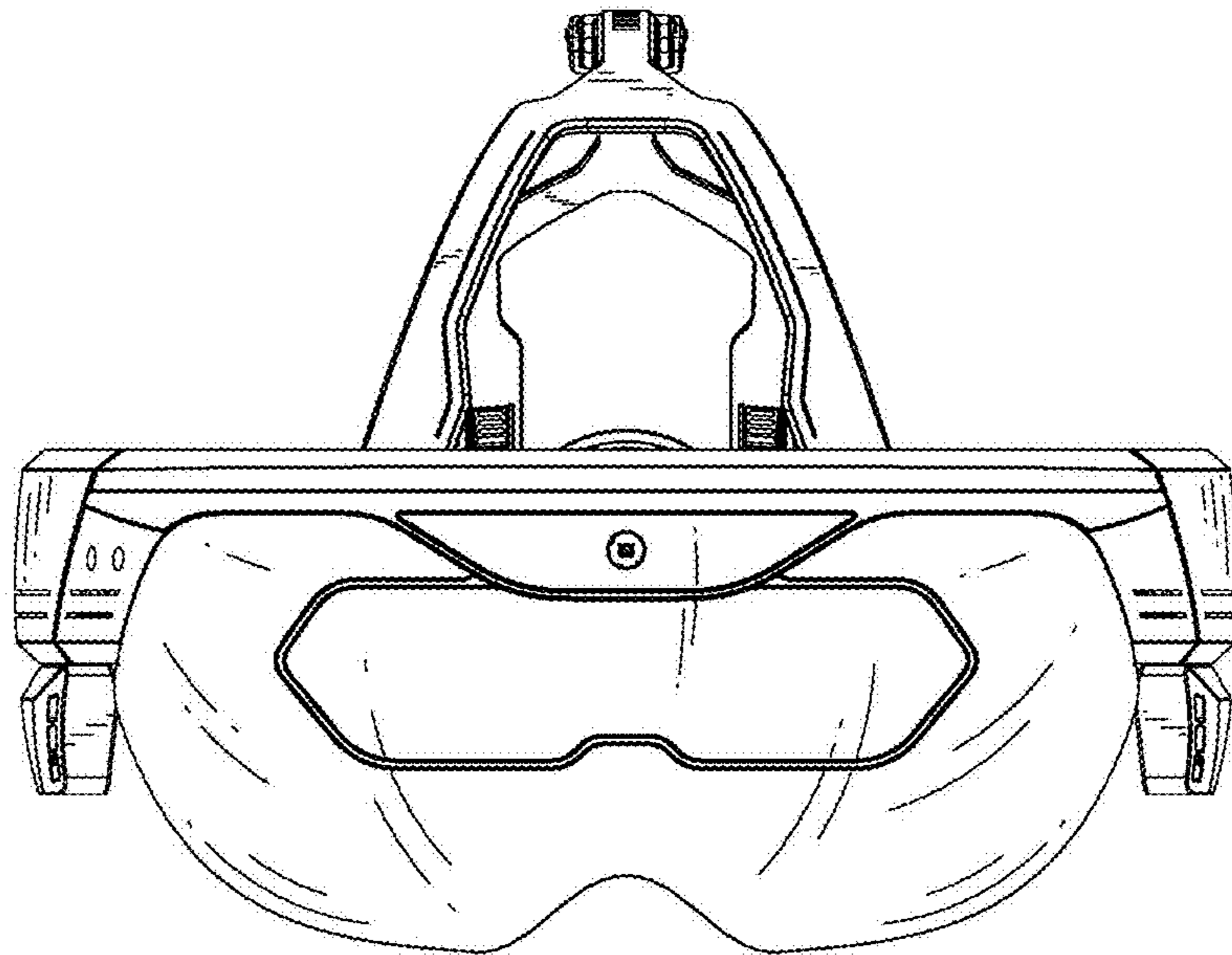


FIG. 2

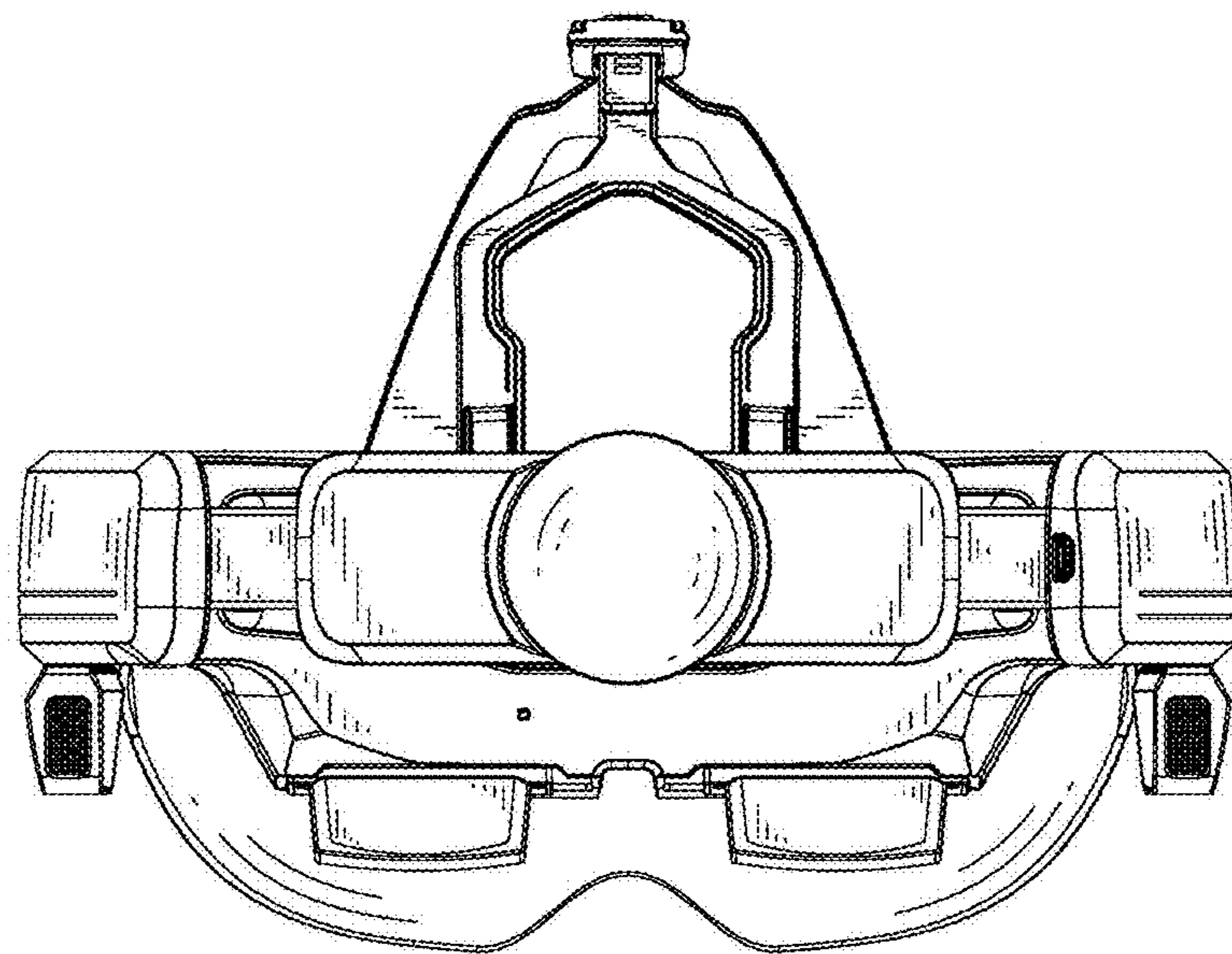


FIG. 3

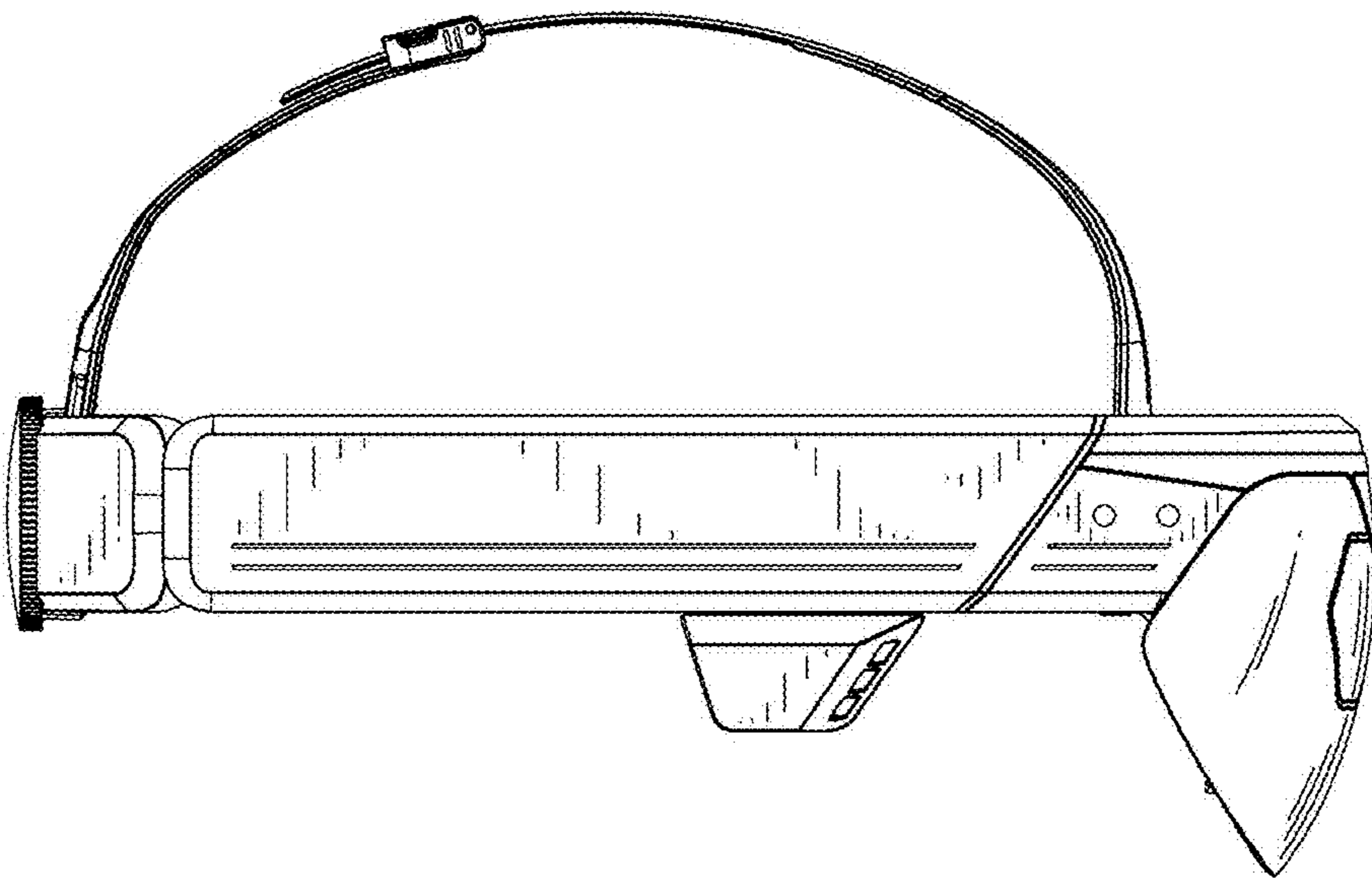


FIG. 4

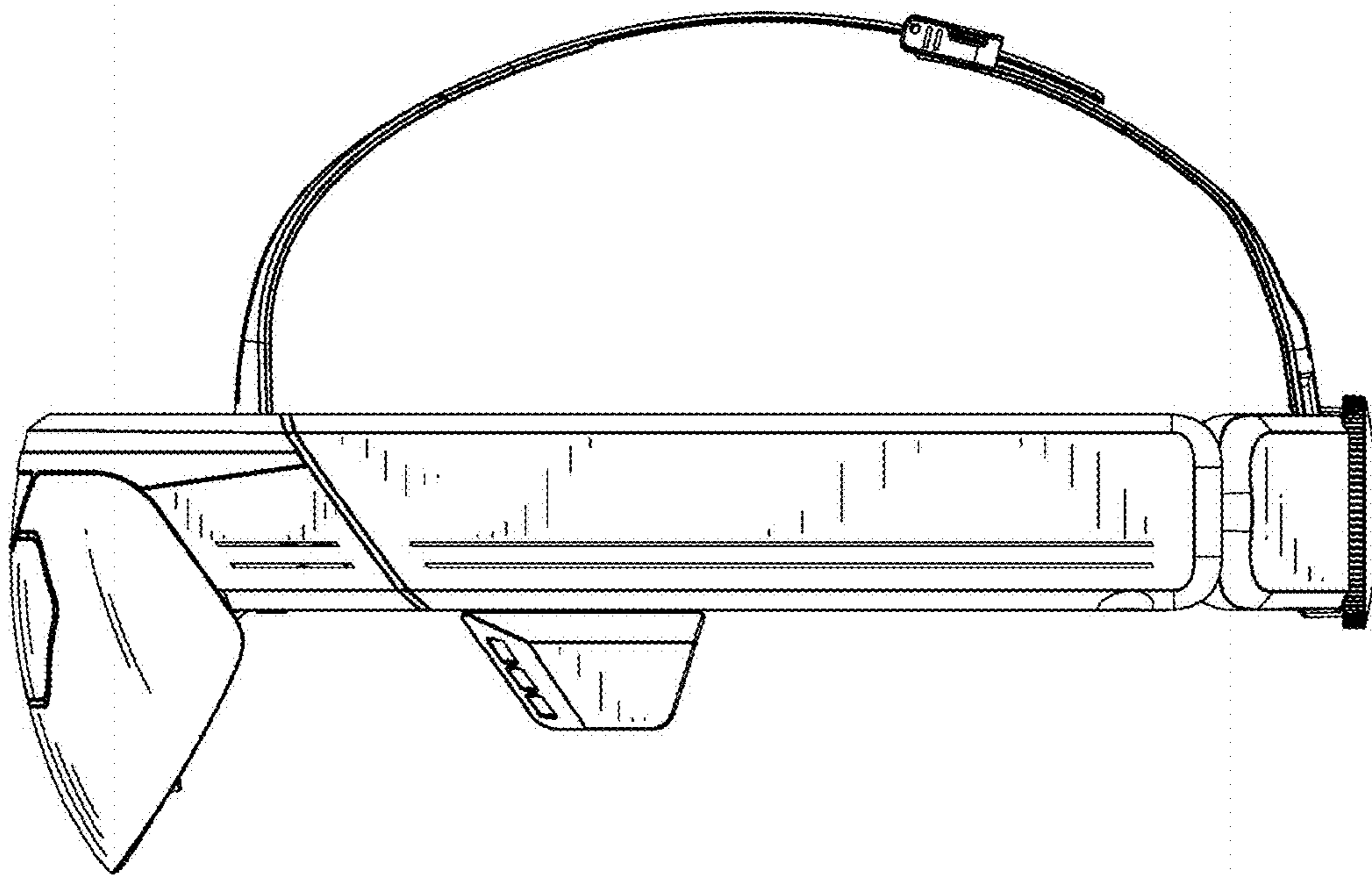


FIG. 5

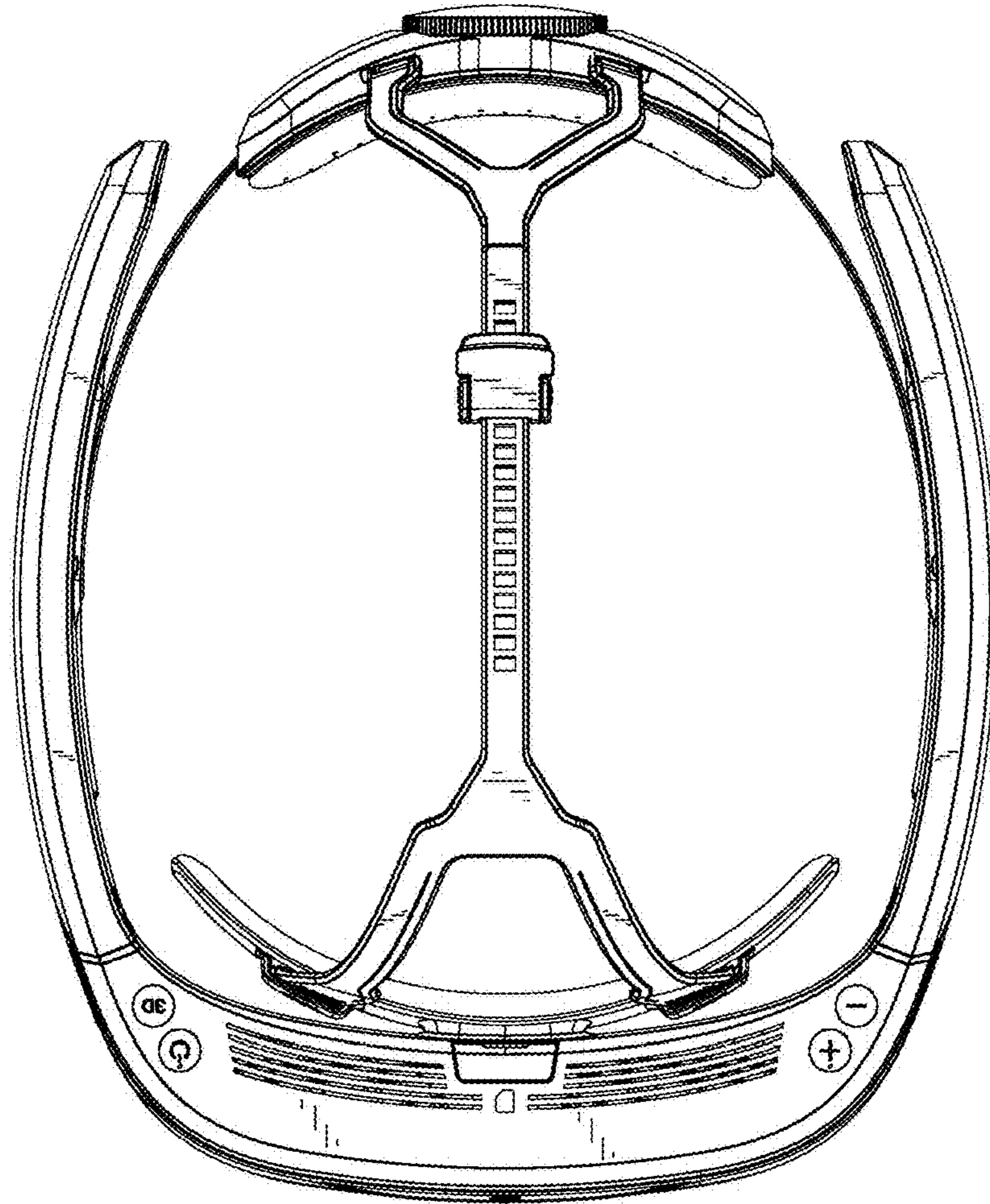


FIG. 6

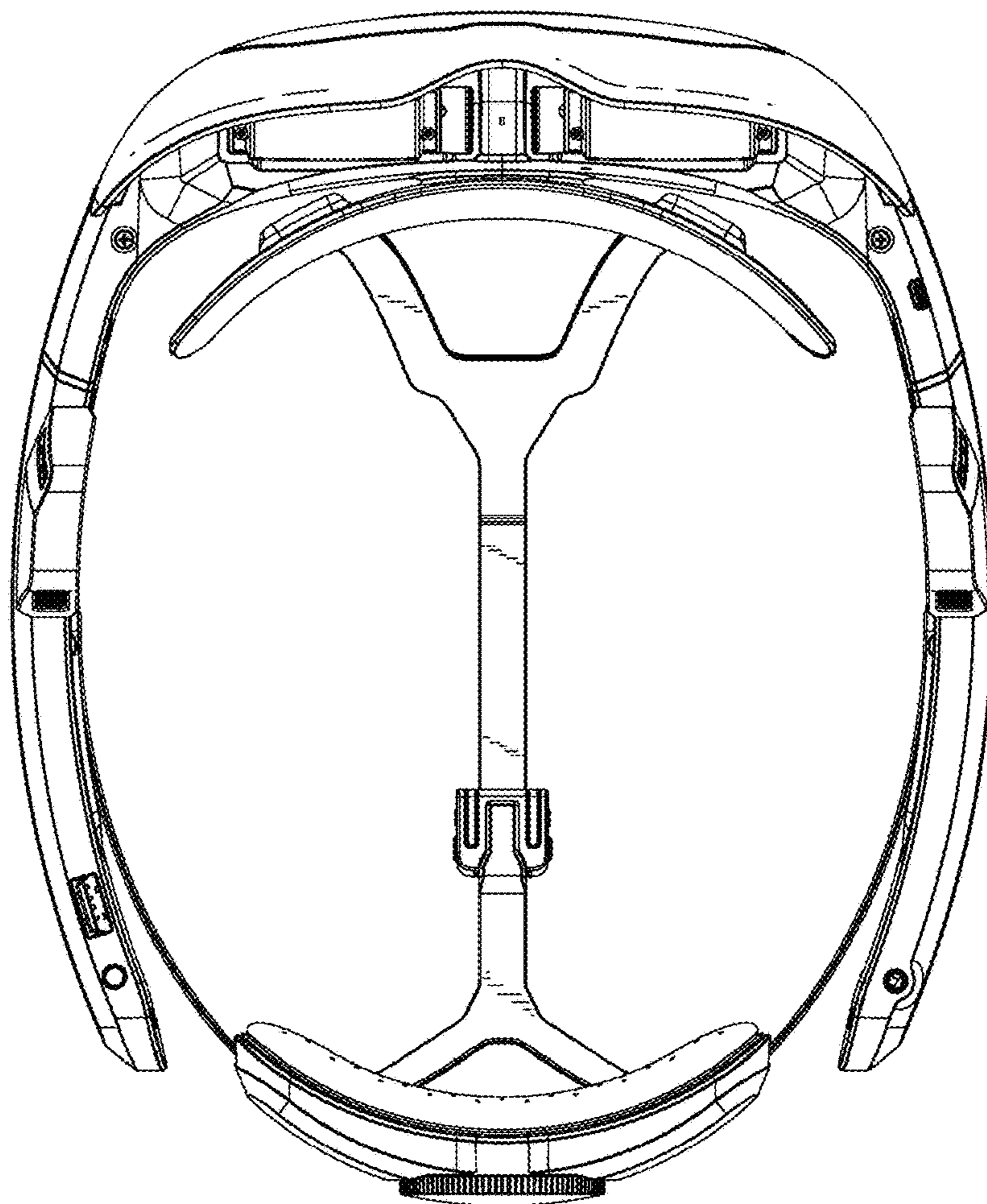


FIG. 7



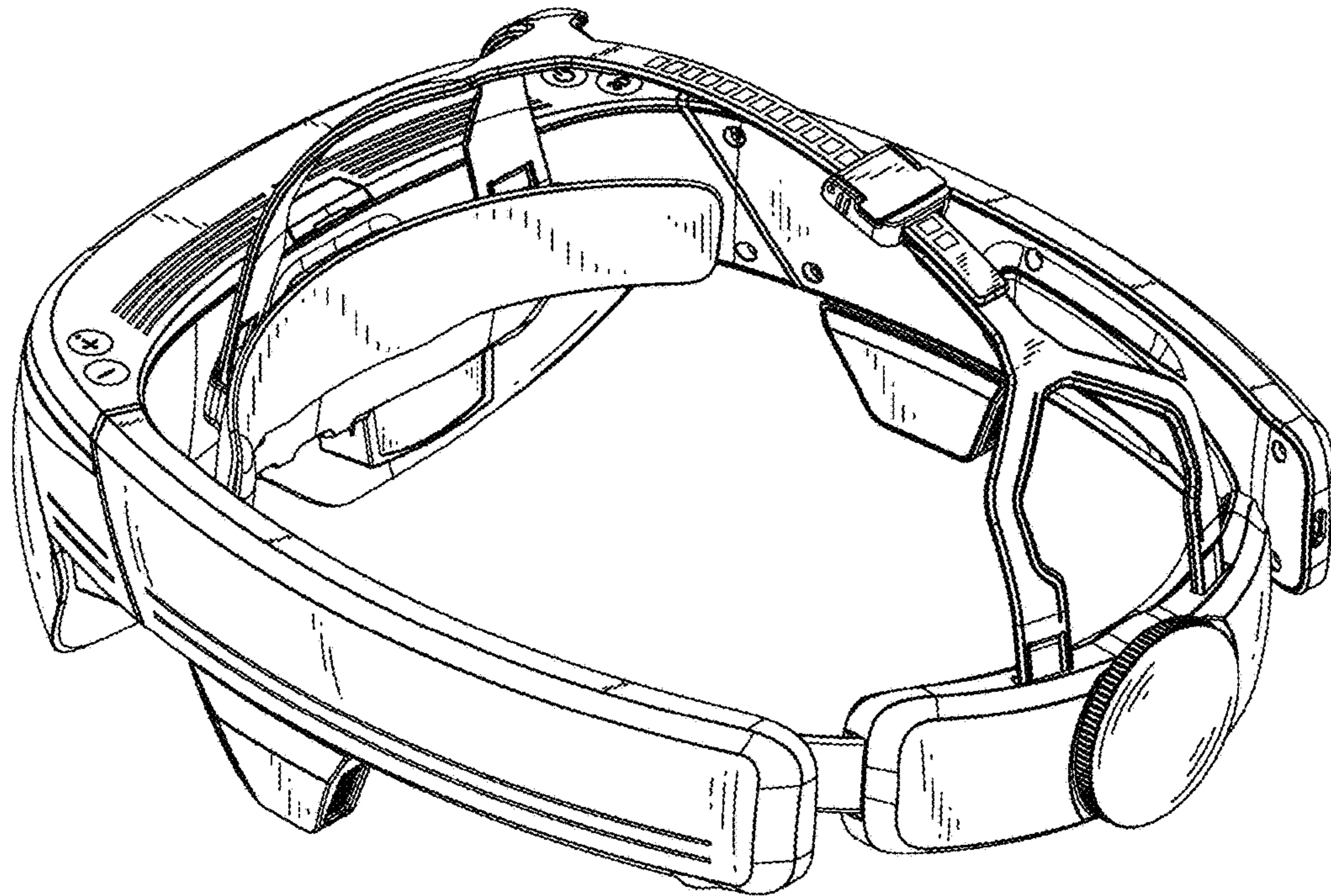


FIG. 8