



US00D839264S

(12) **United States Design Patent**
Nagano et al.

(10) **Patent No.:** **US D839,264 S**
(45) **Date of Patent:** **** Jan. 29, 2019**

(54) **SERVER FOR DATA**

(71) Applicant: **KONICA MINOLTA, INC.**,
Chiyoda-ku, Tokyo (JP)

(72) Inventors: **Masakazu Nagano**, Nishinomiya (JP);
Thomas Edward Keen, London (GB);
Nicholas Woodley, London (GB);
Astrid Nathalie Xavier Vanhuysse,
London (GB); **Manon Bourette**,
London (GB)

(73) Assignee: **KONICA MINOLTA, INC.**, Tokyo
(JP)

(**) Term: **15 Years**

(21) Appl. No.: **29/617,777**

(22) Filed: **Sep. 15, 2017**

(51) **LOC (11) Cl.** **14-02**

(52) **U.S. Cl.**

USPC **D14/301**; D14/371

(58) **Field of Classification Search**

USPC D14/240, 300, 301, 308, 313, 314,
D14/336-337, 341, 348-356, 358,
D14/364-368, 188, 371; D13/123, 158,
D13/162, 184, 199; 312/223.1-223.3,
312/351.11; 360/99.01-99.12;
369/34.01-36.01; 361/679.31-679.33,
361/679.37, 679.39, 679.46, 679.53,
361/679.4, 679.41, 727; D18/50
CPC . G06F 1/20; G06F 1/181; G06F 1/187; G06F
1/183; G06F 1/184; G06F 1/16; H05K
7/16; H05K 7/1424; H05K 7/1409; H05K
7/20; H05K 7/20545; H05K 7/20727;
H05K 7/1425; H05K 7/1488; H05K
7/183; H05K 7/14; H05K 5/00; H05K
7/00; H05H 7/20; G11B 33/126; G11B
33/128; G11B 33/08; G11B 33/02

See application file for complete search history.

(56) **References Cited**

U.S. PATENT DOCUMENTS

D685,655 S * 7/2013 Hsu D10/15
D694,653 S * 12/2013 Hsu D10/15
D755,790 S * 5/2016 Salvatori D14/433

FOREIGN PATENT DOCUMENTS

CN 303256911 S 6/2015
KR 300555063 3/2010

OTHER PUBLICATIONS

Official Action in corresponding Japanese application 2017-005393
dated Aug. 29, 2017.

* cited by examiner

Primary Examiner — Freda S Nunn

(74) *Attorney, Agent, or Firm* — Buchanan Ingersoll &
Rooney PC

(57) **CLAIM**

The ornamental design for a server for data, as shown and
described.

DESCRIPTION

FIG. 1 is a front elevational view of a server for data
showing our new design;
FIG. 2 is a rear elevational view thereof;
FIG. 3 is a right side elevational view thereof;
FIG. 4 is a left side elevational view thereof;
FIG. 5 is a top plan view thereof;
FIG. 6 is a bottom plan view thereof;
FIG. 7 is a first perspective view thereof; and,
FIG. 8 is a second perspective view thereof.

The present article is a server for data having a printer
function. When a cover provided on the rear surface of the
present article is opened, a sheet of paper can be inserted
thereto. The present article can be used as a printer using a
touch panel monitor provided on the front surface of the
present article. A printed sheet of paper is discharged from
an outlet provided in a lower surface of the touch panel
monitor.

1 Claim, 8 Drawing Sheets

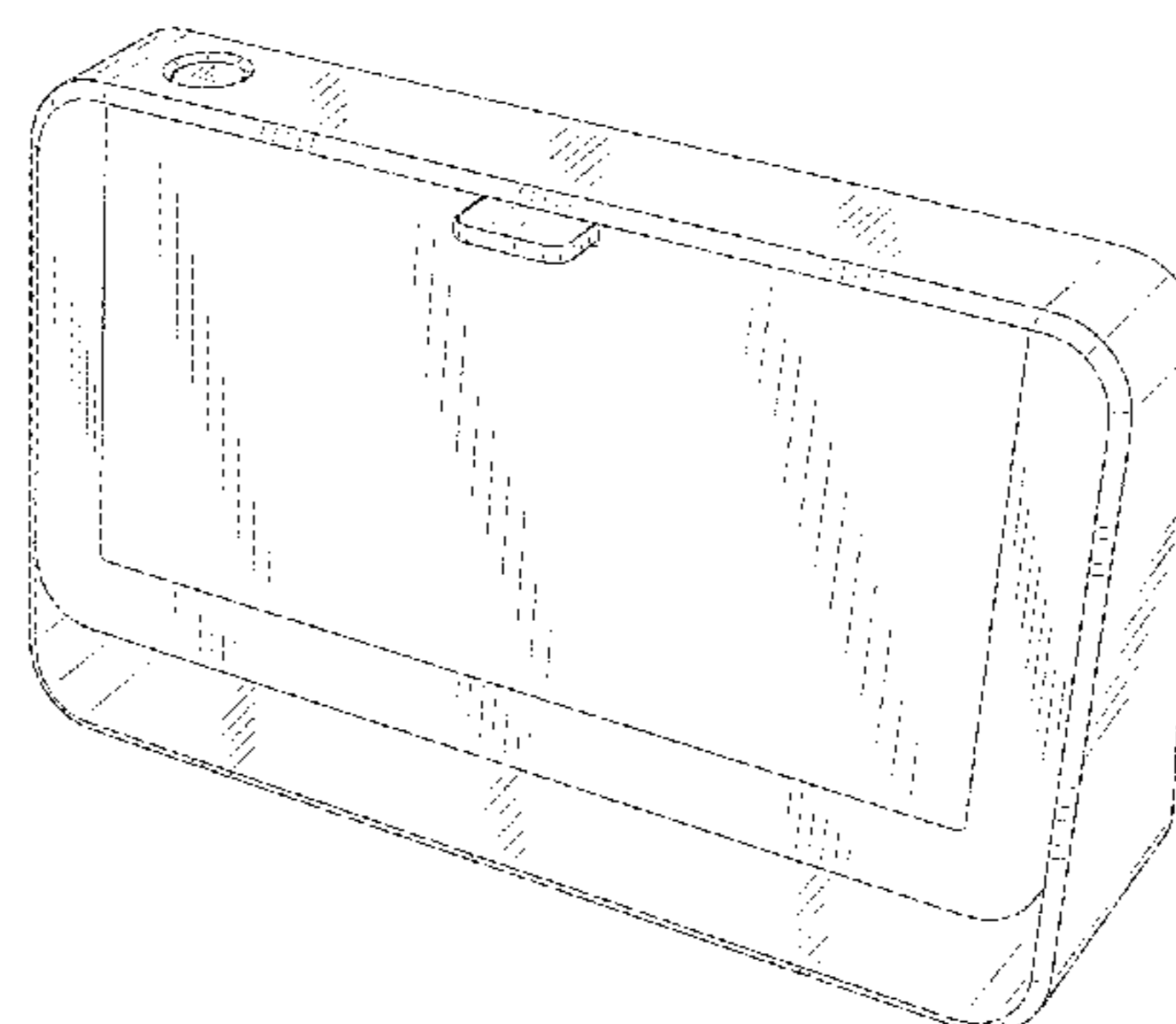
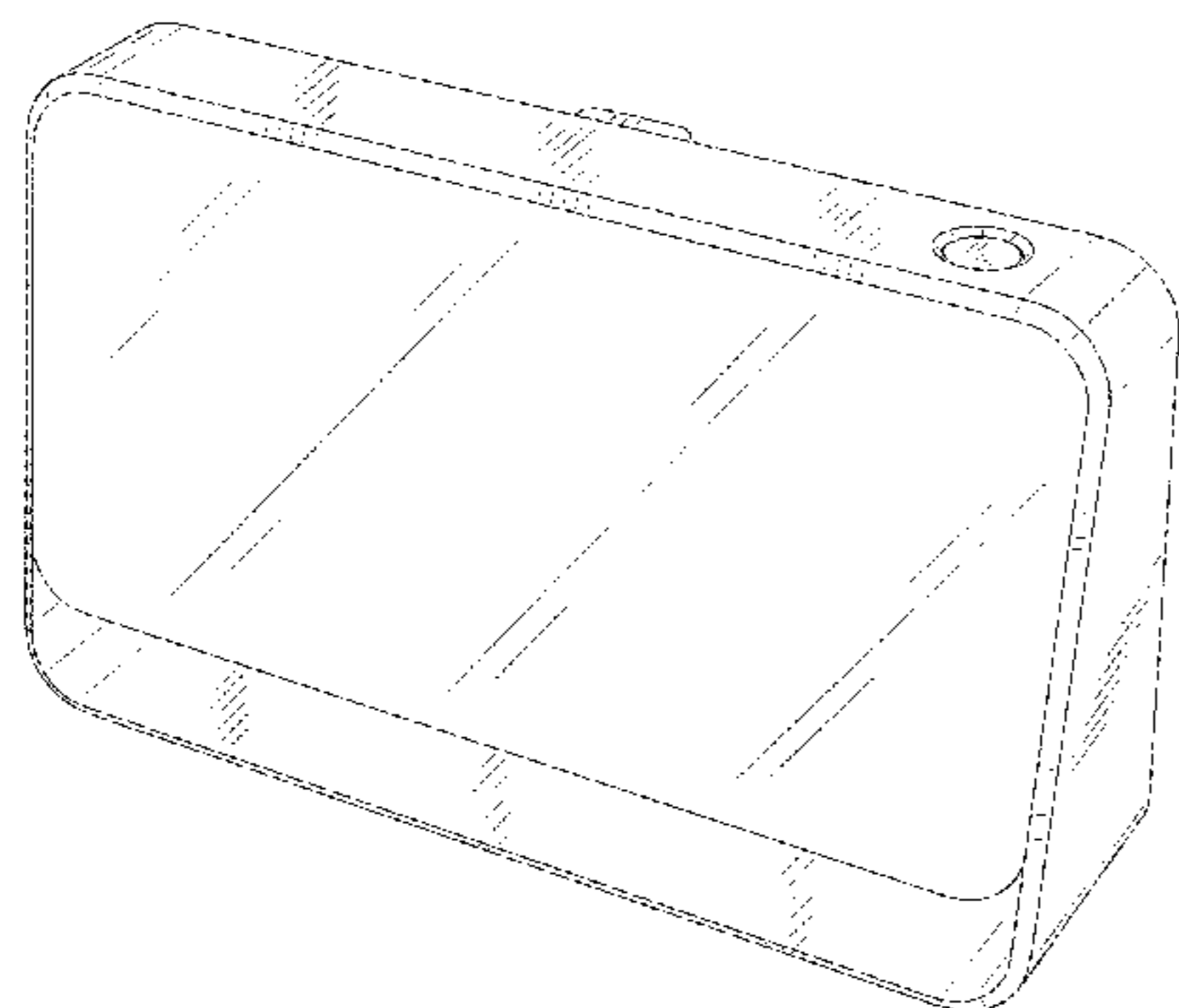


FIG. 1

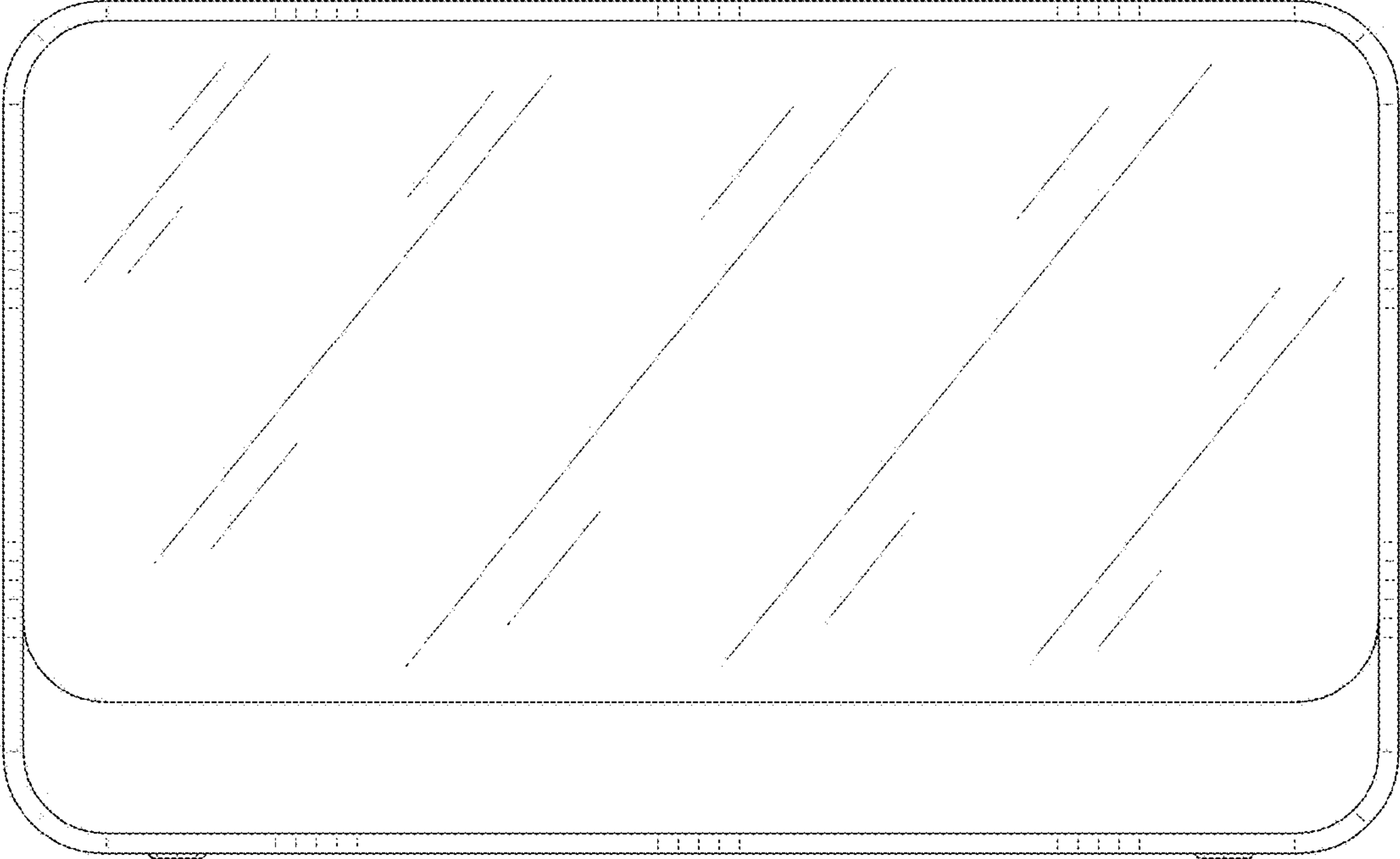


FIG.2

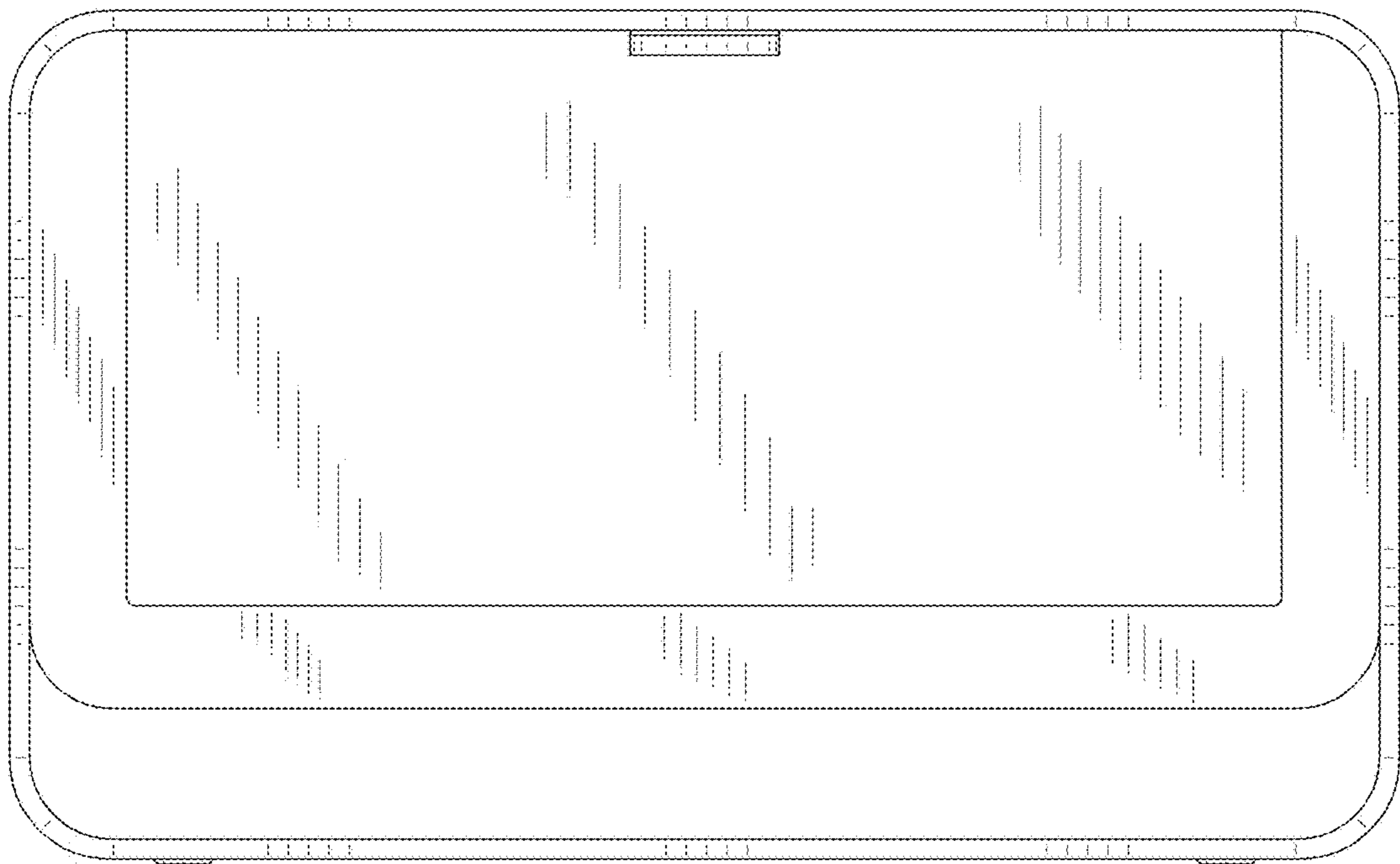


FIG.3

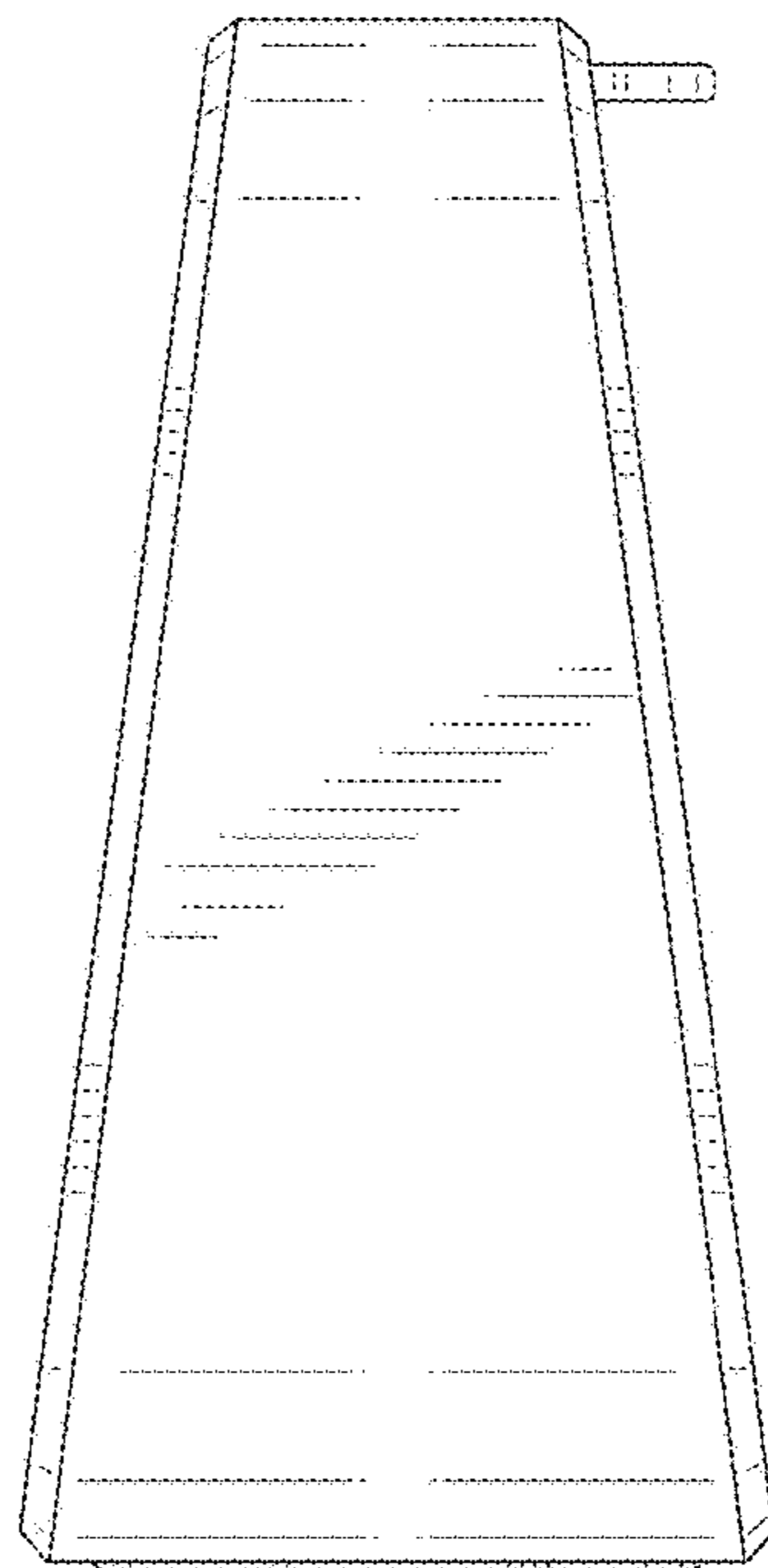


FIG.4

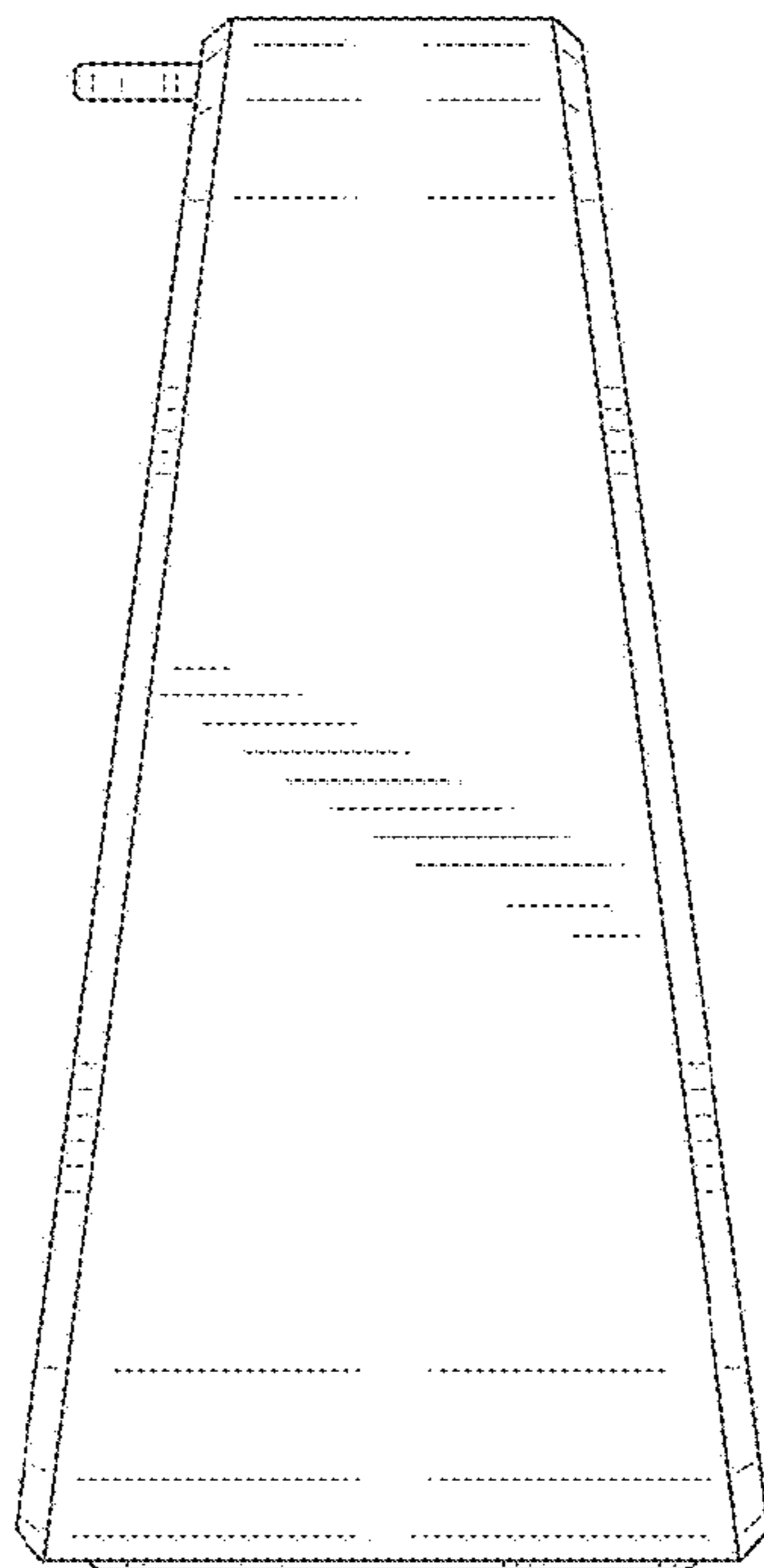


FIG.5

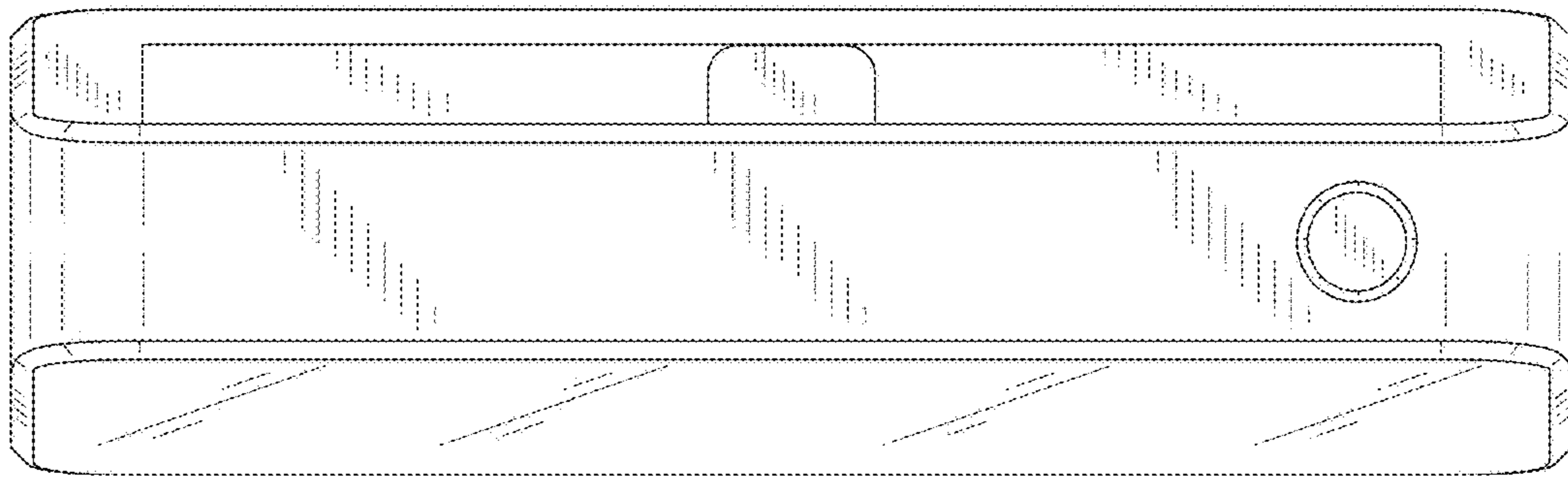


FIG.6

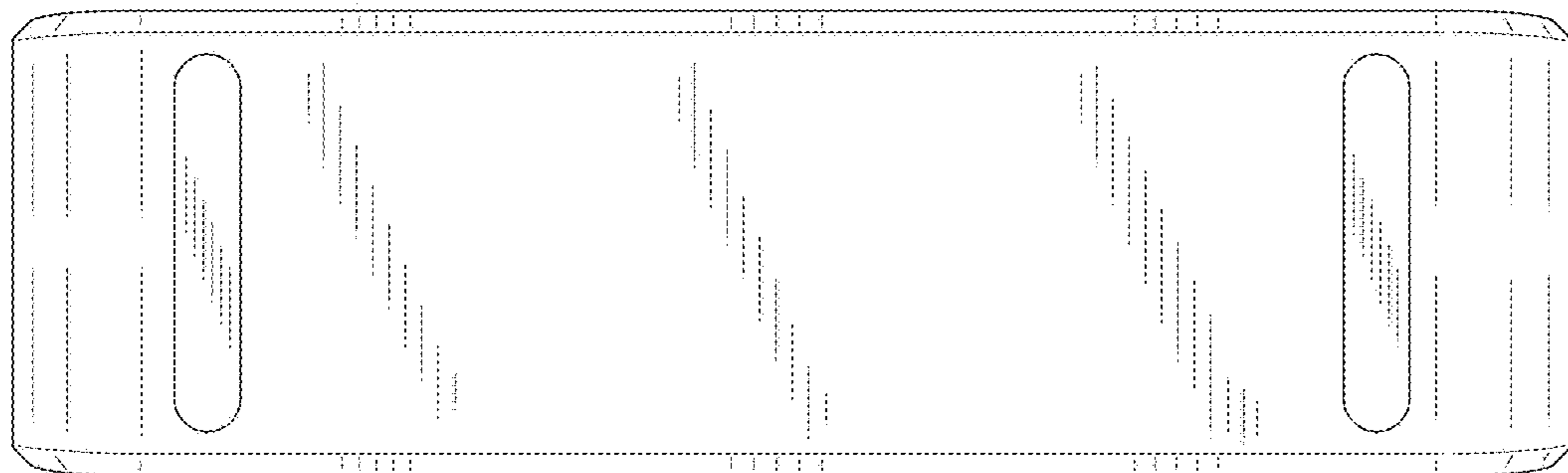


FIG. 7

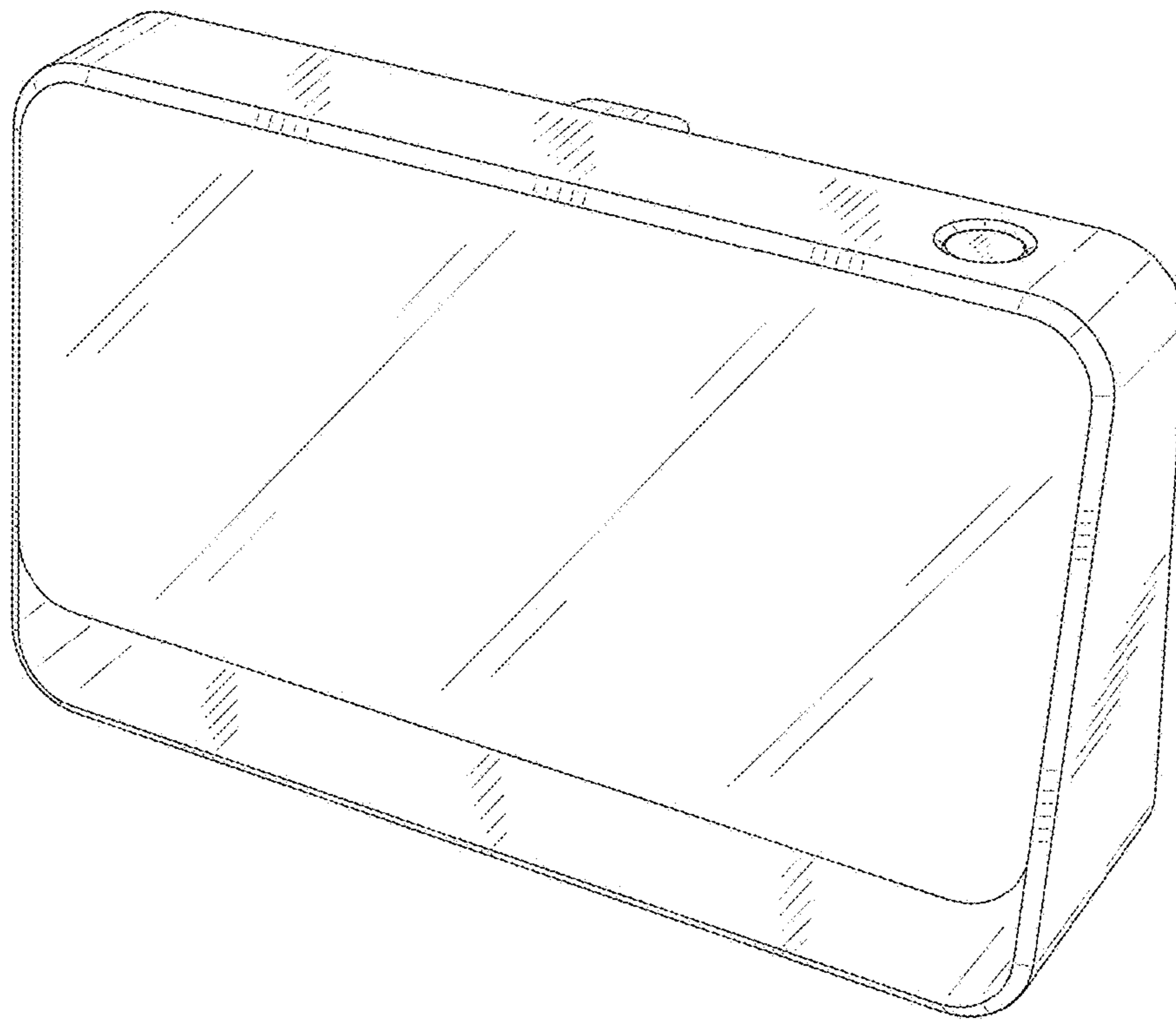


FIG. 8

