



US00D839263S

(12) **United States Design Patent**  
**Lee et al.**

(10) **Patent No.:** **US D839,263 S**

(45) **Date of Patent:** **\*\* Jan. 29, 2019**

(54) **SERVER FOR DATA**

(71) Applicant: **Konica Minolta, Inc.**, Chiyoda-ku,  
Tokyo (JP)

(72) Inventors: **JungHoon Lee**, Munich (DE); **Florian  
Howecker**, Munich (DE); **Tithima  
Supavanichyanont**, Munich (DE);  
**Peter Koerbler**, Munich (DE); **Isabella  
Zidek**, Munich (DE)

(73) Assignee: **KONICA MINOLTA, INC.**,  
Chiyoda-Ku, Tokyo (JP)

(\*\*) Term: **15 Years**

(21) Appl. No.: **29/617,765**

(22) Filed: **Sep. 15, 2017**

(30) **Foreign Application Priority Data**

Mar. 17, 2017 (EM) ..... 003804582-0002

(51) **LOC (11) Cl.** ..... **14-02**

(52) **U.S. Cl.**  
USPC ..... **D14/301**

(58) **Field of Classification Search**

USPC ..... D14/240, 300, 301, 308, 313, 314,  
D14/336-337, 348-356, 358, 364-368,  
D14/188; D13/123, 158, 162, 184, 199;  
312/223.1-223.3, 351.11;  
360/99.01-99.12; 369/34.01-36.01;  
361/679.31-679.33, 679.37, 679.39,  
361/679.46, 679.53, 679.4, 679.41, 727  
CPC . G06F 1/20; G06F 1/181; G06F 1/187; G06F  
1/183; G06F 1/184; G06F 1/16; H05K  
7/16; H05K 7/1424; H05K 7/1409; H05K  
7/20; H05K 7/20545; H05K 7/20727;  
H05K 7/1425; H05K 7/1488; H05K

7/183; H05K 7/14; H05K 5/00; H05K  
7/00; H05H 7/20; G11B 33/126; G11B  
33/128; G11B 33/08; G11B 33/02

See application file for complete search history.

(56) **References Cited**

U.S. PATENT DOCUMENTS

D415,473 S \* 10/1999 Su ..... D14/385  
D434,413 S \* 11/2000 Lee ..... D14/351  
D716,289 S \* 10/2014 Park ..... D14/314  
D746,276 S \* 12/2015 Schumaker ..... D14/314  
D753,644 S \* 4/2016 Hsieh ..... D14/314  
D754,653 S \* 4/2016 Marciniak ..... D14/314

\* cited by examiner

*Primary Examiner* — Freda S Nunn

(74) *Attorney, Agent, or Firm* — Buchanan Ingersoll &  
Rooney PC

(57) **CLAIM**

The ornamental design for a server for data, as shown and  
described.

**DESCRIPTION**

FIG. 1 is a front elevational view of a server for data  
showing our new design;  
FIG. 2 is a rear elevational view thereof;  
FIG. 3 is a top plan view thereof;  
FIG. 4 is a bottom plan view thereof;  
FIG. 5 is a left side elevational view thereof;  
FIG. 6 is a right side elevational view thereof;  
FIG. 7 is a first perspective view thereof; and,  
FIG. 8 is a second perspective view thereof.

**1 Claim, 8 Drawing Sheets**

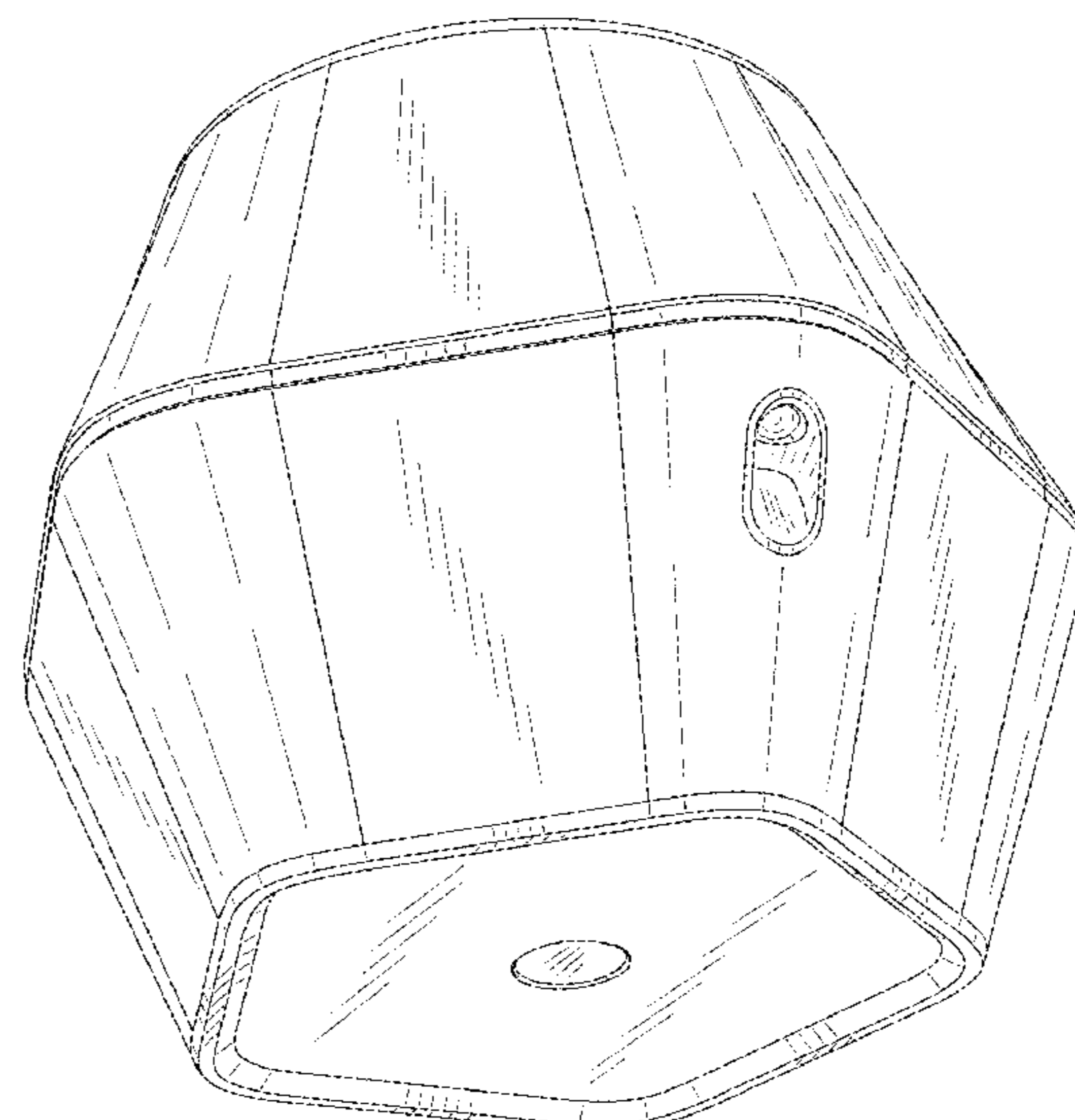
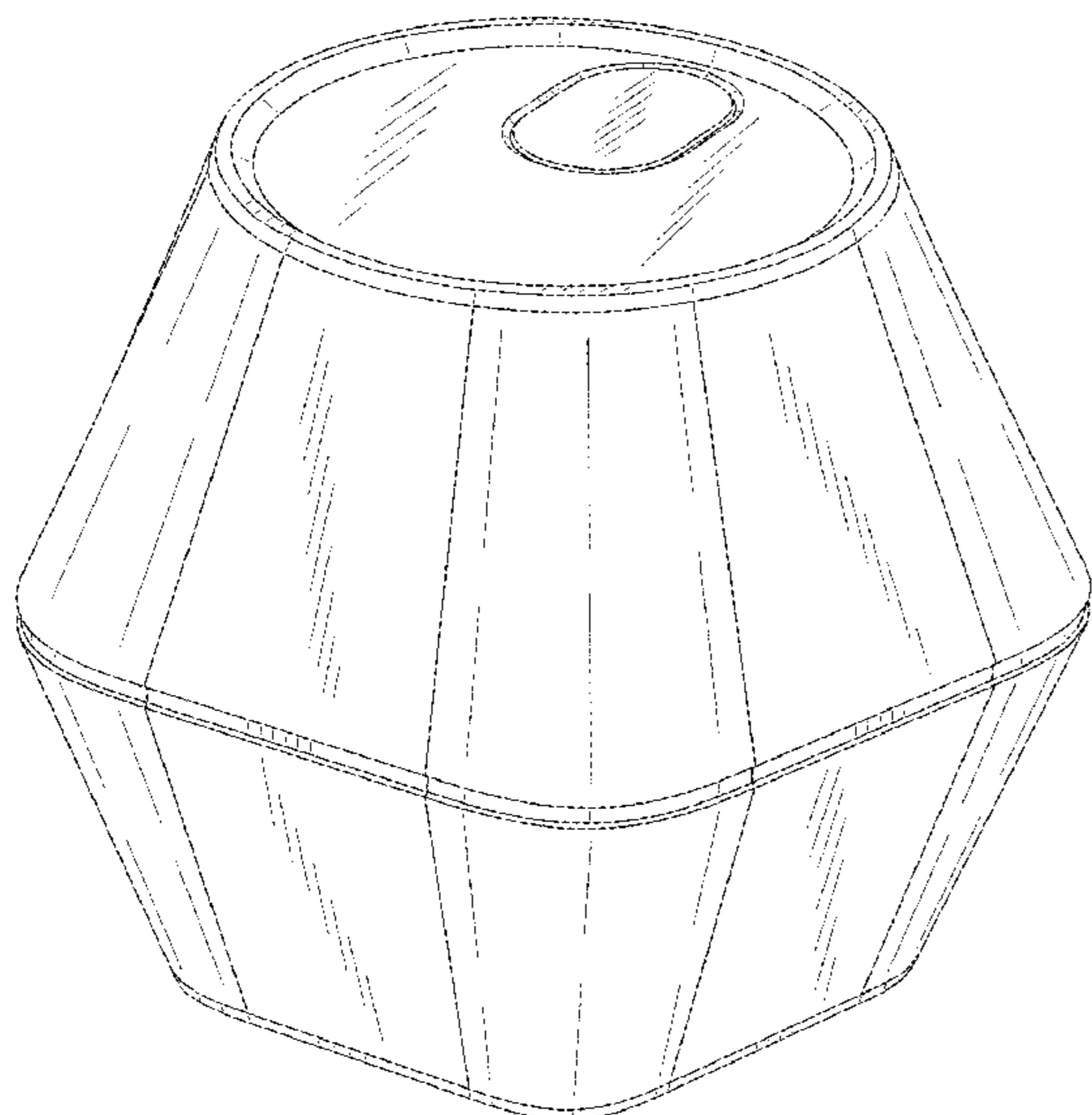


FIG.1

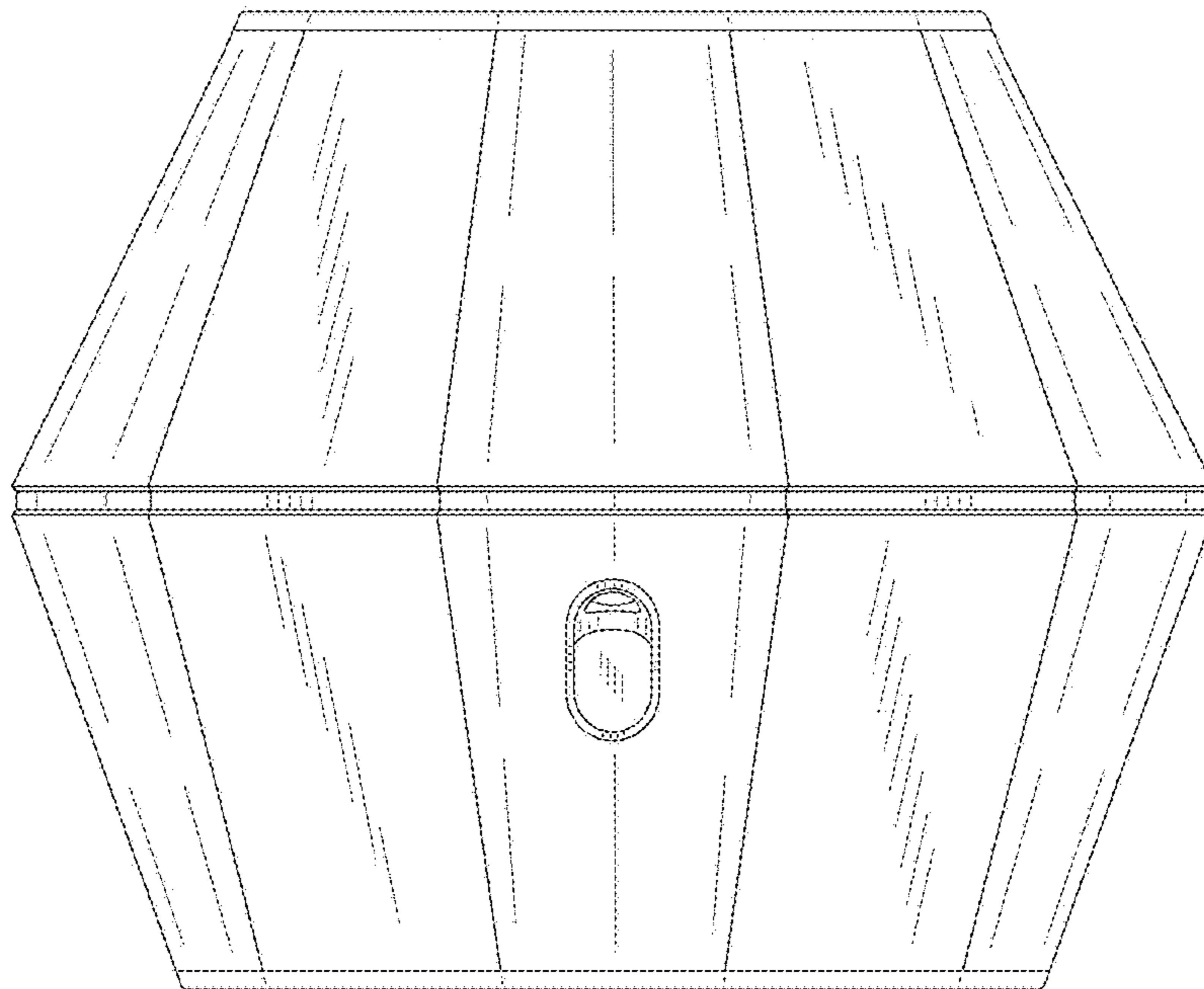


FIG.2

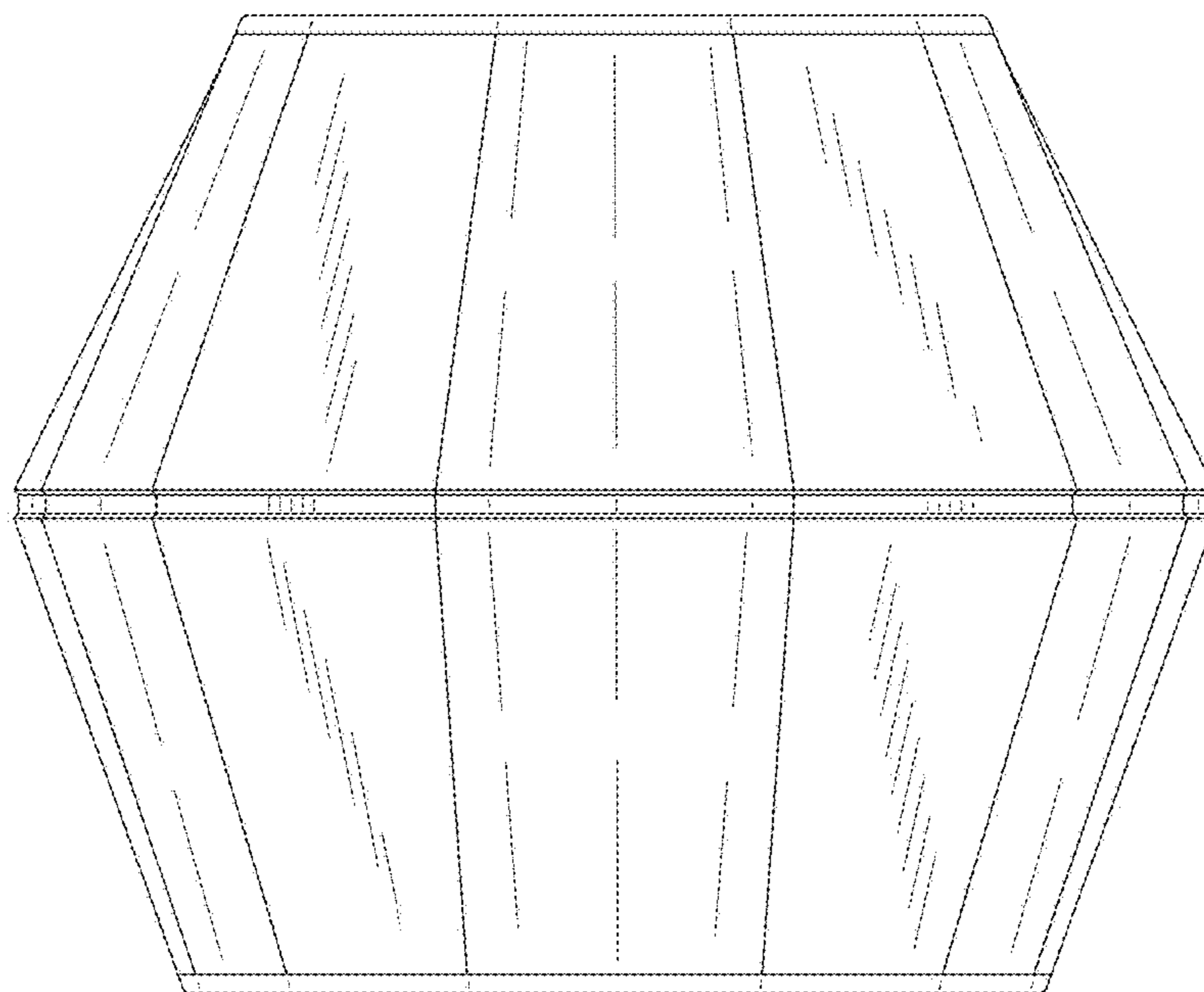


FIG.3

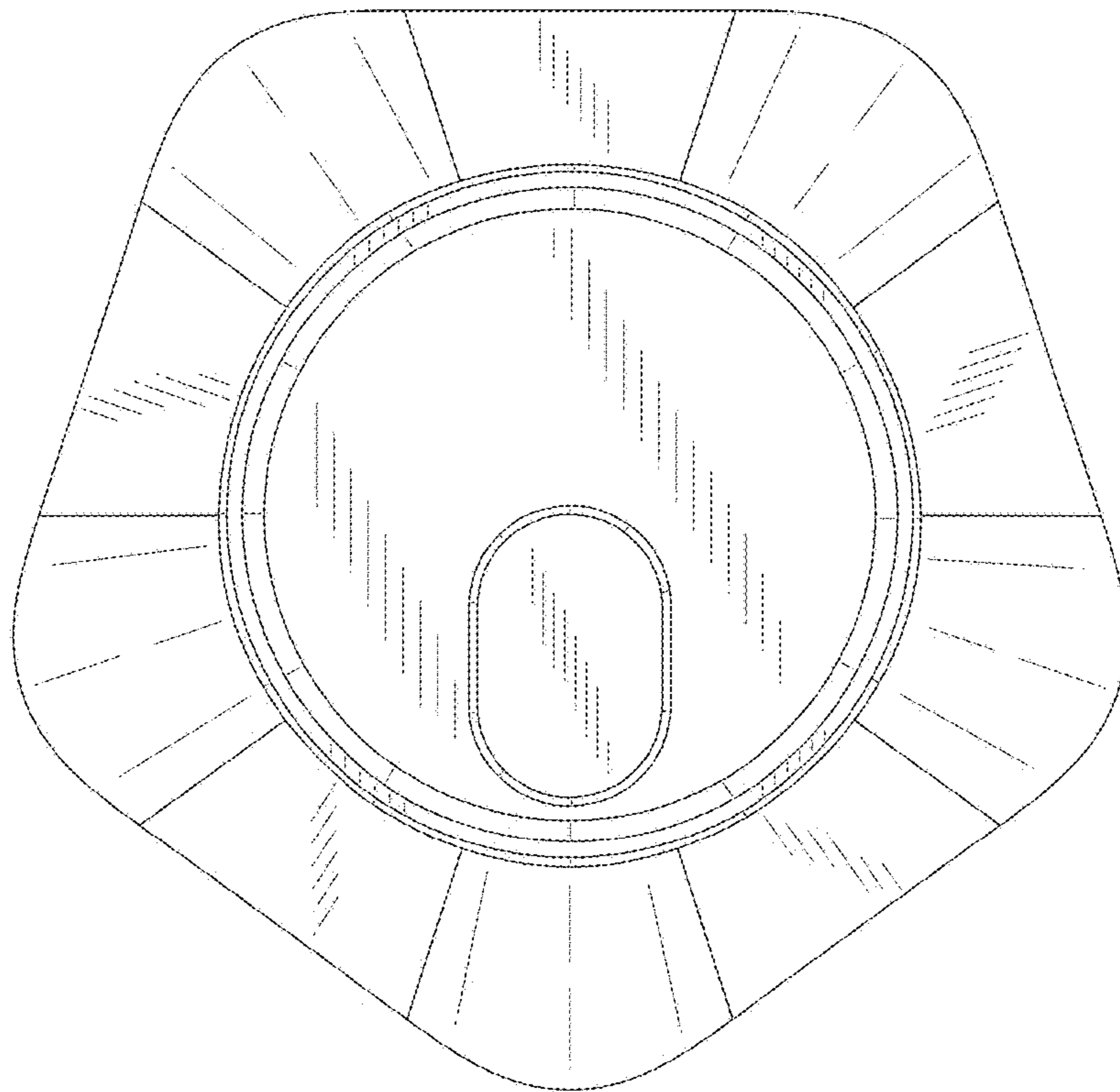


FIG.4

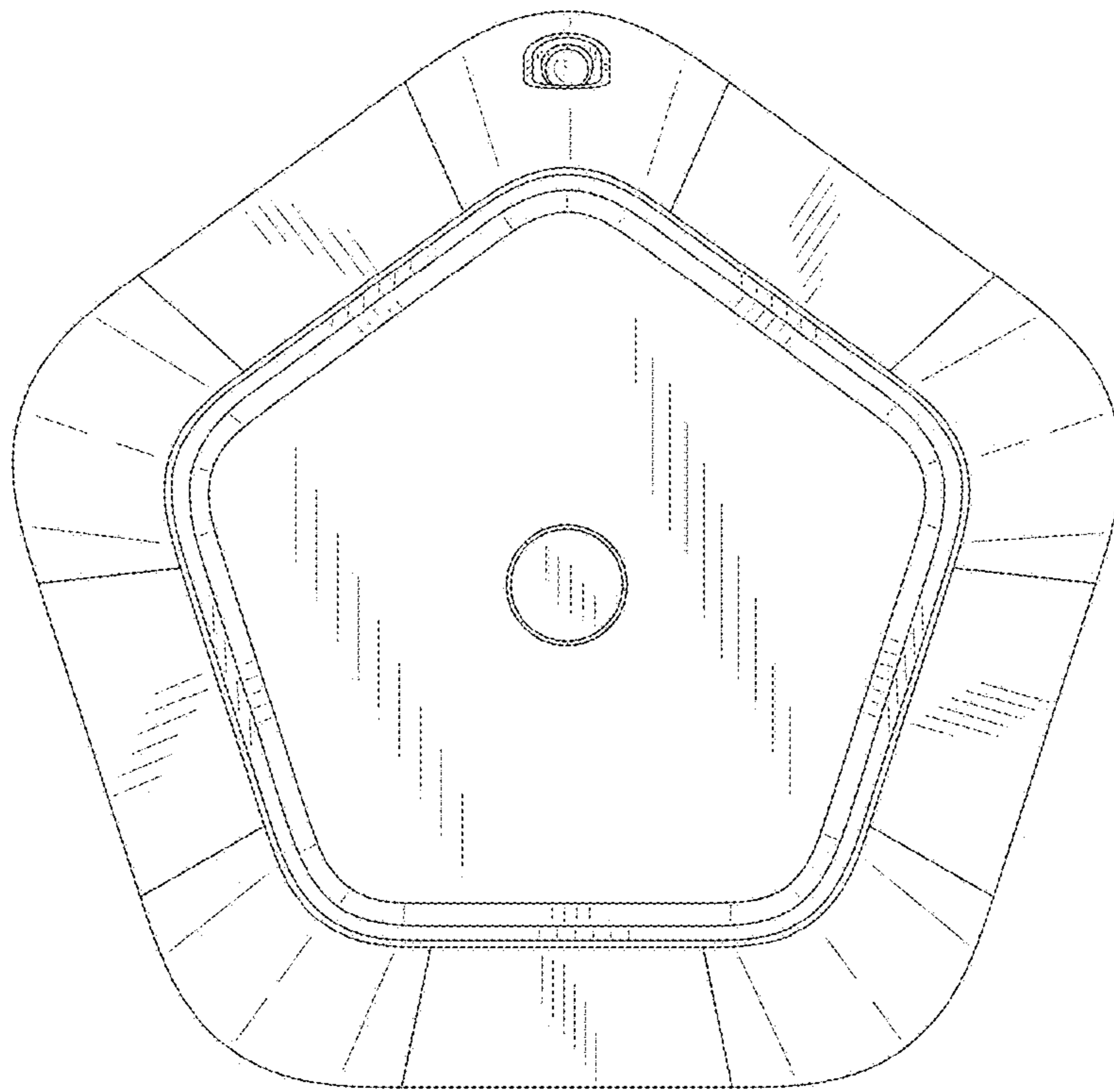


FIG.5

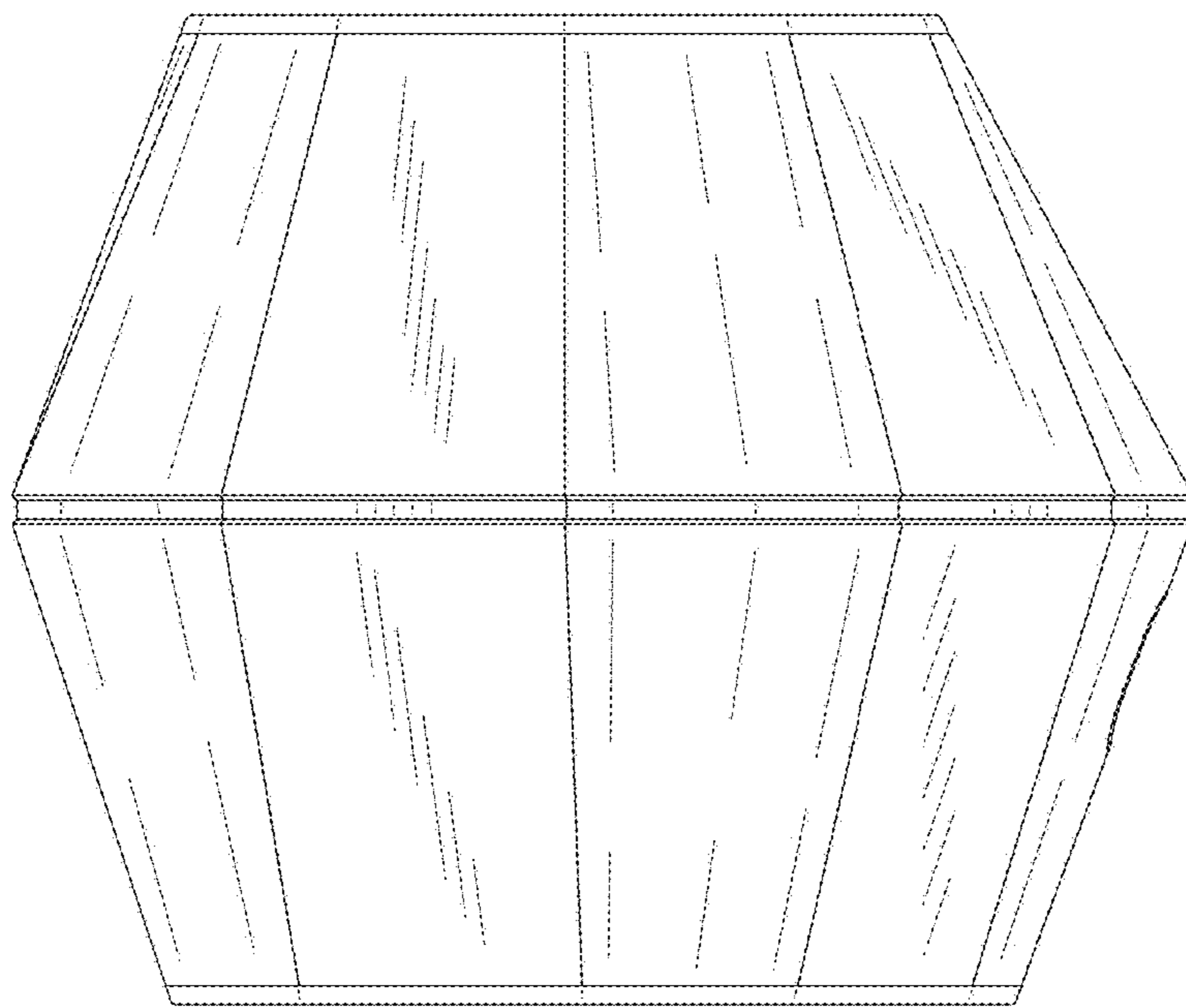


FIG.6

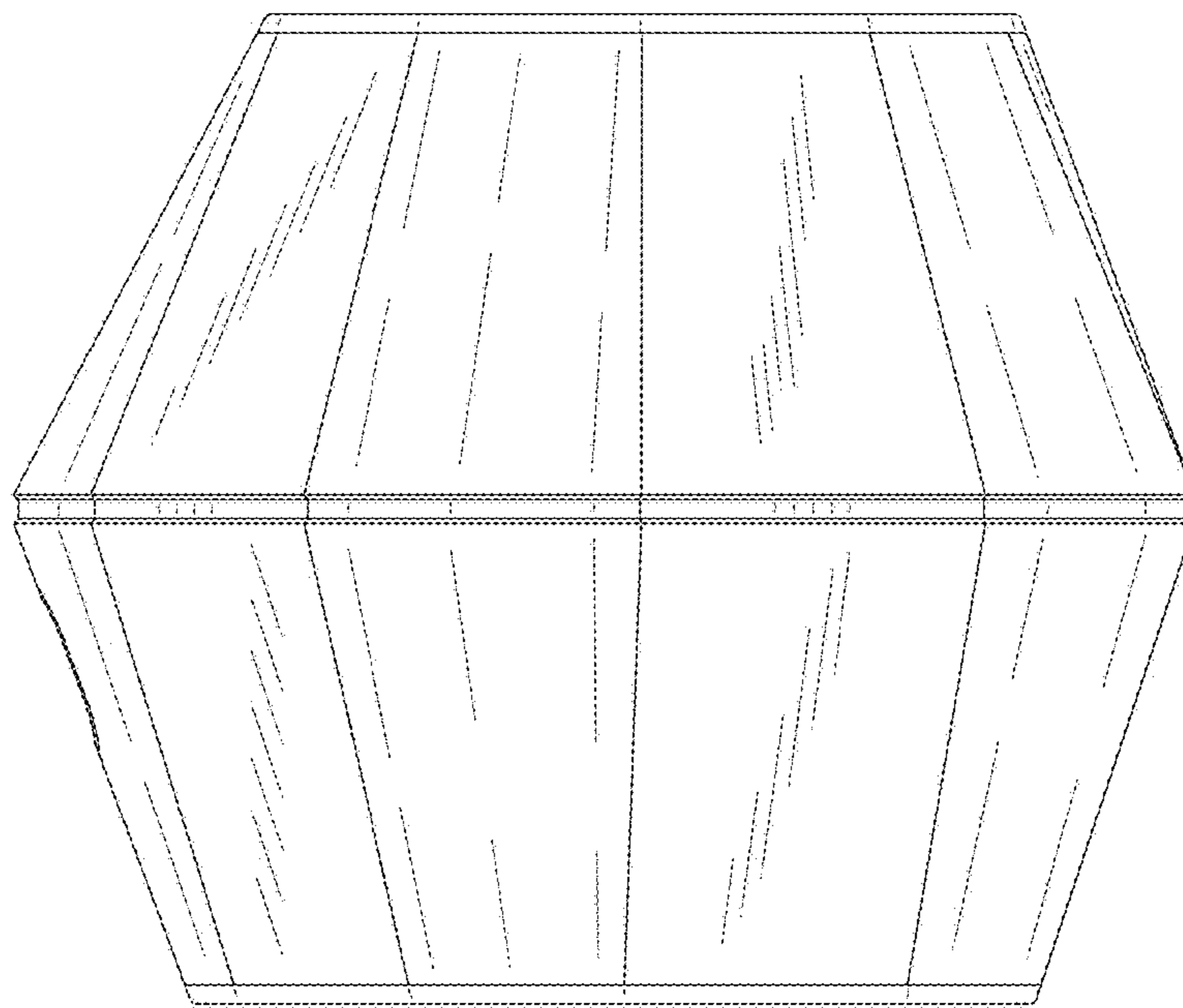


FIG. 7

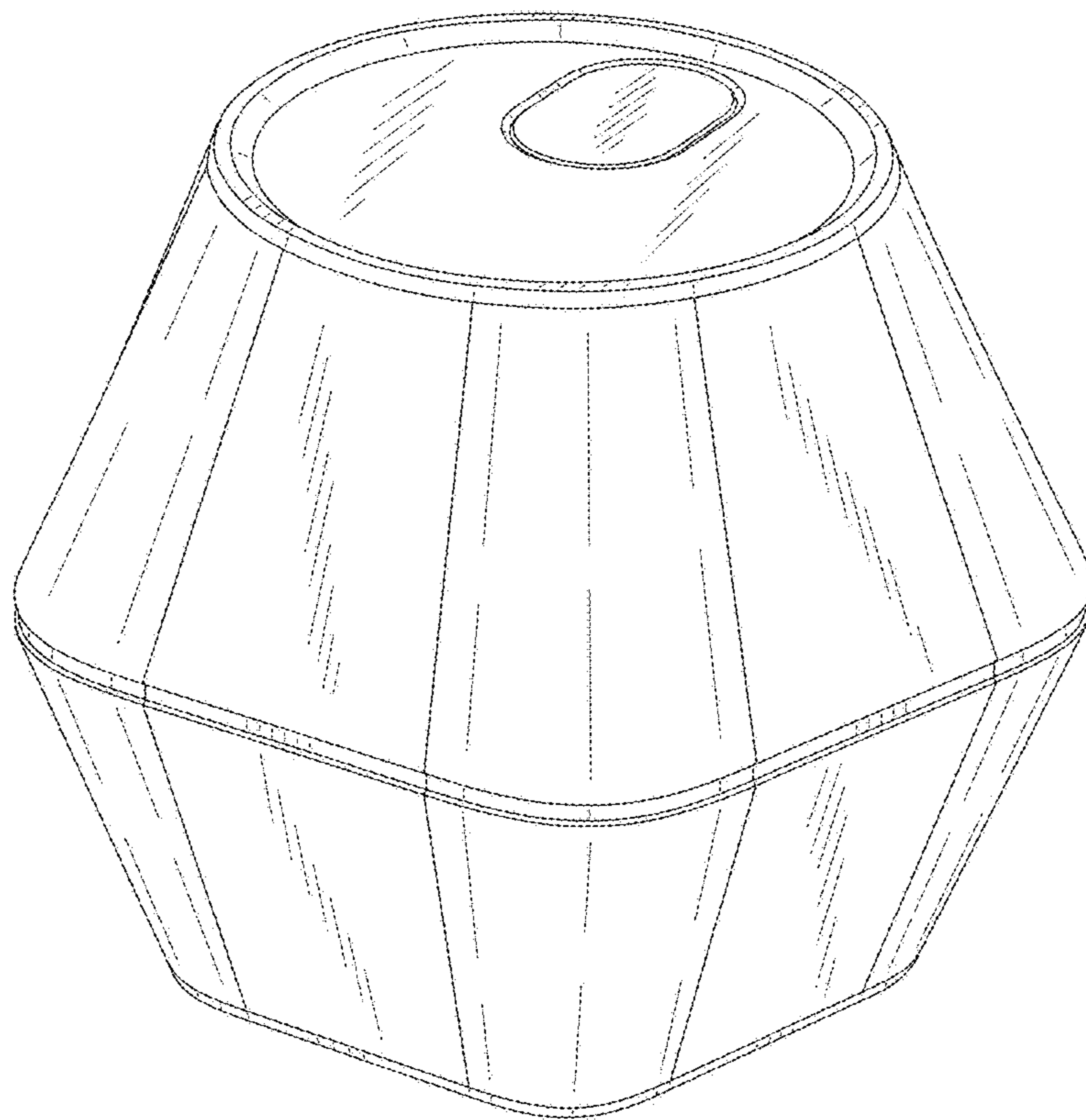




FIG.8

