



US00D839260S

(12) **United States Design Patent**
Lee et al.

(10) **Patent No.:** **US D839,260 S**
(45) **Date of Patent:** **** Jan. 29, 2019**

(54) **SERVER FOR DATA**

(71) Applicant: **Konica Minolta, Inc.**, Chiyoda-ku,
Tokyo (JP)

(72) Inventors: **JungHoon Lee**, Munich (DE); **Florian
Howecker**, Munich (DE); **Tithima
Supavanichyanont**, Munich (DE);
Isabella Zidek, Munich (DE)

(73) Assignee: **KONICA MINOLTA, INC.**,
Chiyoda-Ku, Tokyo (JP)

(**) Term: **15 Years**

(21) Appl. No.: **29/617,747**

(22) Filed: **Sep. 15, 2017**

(30) **Foreign Application Priority Data**

Mar. 17, 2017 (EM) 003804582-0001

(51) **LOC (11) Cl.** **14-02**

(52) **U.S. Cl.**
USPC **D14/301**

(58) **Field of Classification Search**
USPC D14/240, 300, 301, 308, 313, 314,
D14/336-337, 348-356, 358, 364-368,
D14/188; D13/123, 158, 162, 184, 199;
312/223.1-223.3, 351.11;
360/99.01-99.12; 369/34.01-36.01;
361/679.31-679.33, 679.37, 679.39,
361/679.46, 679.53, 679.4, 679.41, 727
CPC . G06F 1/20; G06F 1/181; G06F 1/187; G06F
1/183; G06F 1/184; G06F 1/16; H05K
7/16; H05K 7/1424; H05K 7/1409; H05K

7/20; H05K 7/20545; H05K 7/20727;
H05K 7/1425; H05K 7/1488; H05K
7/183; H05K 7/14; H05K 5/00; H05K
7/00; H05H 7/20; G11B 33/126; G11B
33/128; G11B 33/08; G11B 33/02

See application file for complete search history.

(56) **References Cited**

U.S. PATENT DOCUMENTS

D732,041 S * 6/2015 Conn D14/433
D780,755 S * 3/2017 Bae D14/374

* cited by examiner

Primary Examiner — Freda S Nunn

(74) *Attorney, Agent, or Firm* — Buchanan Ingersoll &
Rooney PC

(57) **CLAIM**

The ornamental design for a server for data, as shown and
described.

DESCRIPTION

FIG. 1 is a front elevational view of a server for data
showing our new design;
FIG. 2 is a rear elevational view thereof;
FIG. 3 is a top plan view thereof;
FIG. 4 is a bottom plan view thereof;
FIG. 5 is a left side elevational view thereof;
FIG. 6 is a right side elevational view thereof;
FIG. 7 is a first perspective view thereof;
FIG. 8 is a second perspective view thereof; and,
FIG. 9 is a third perspective view thereof.

1 Claim, 8 Drawing Sheets

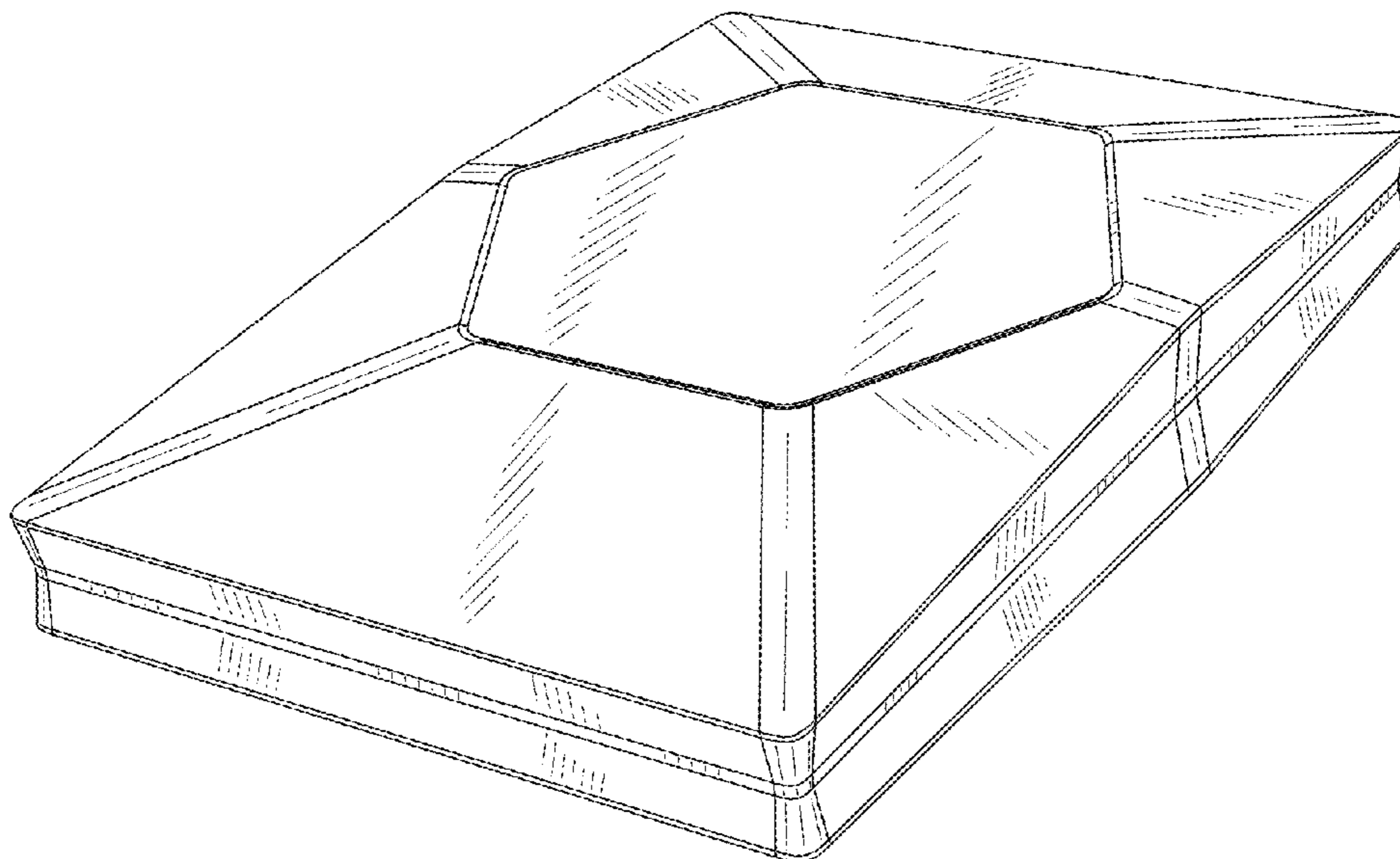


FIG. 1

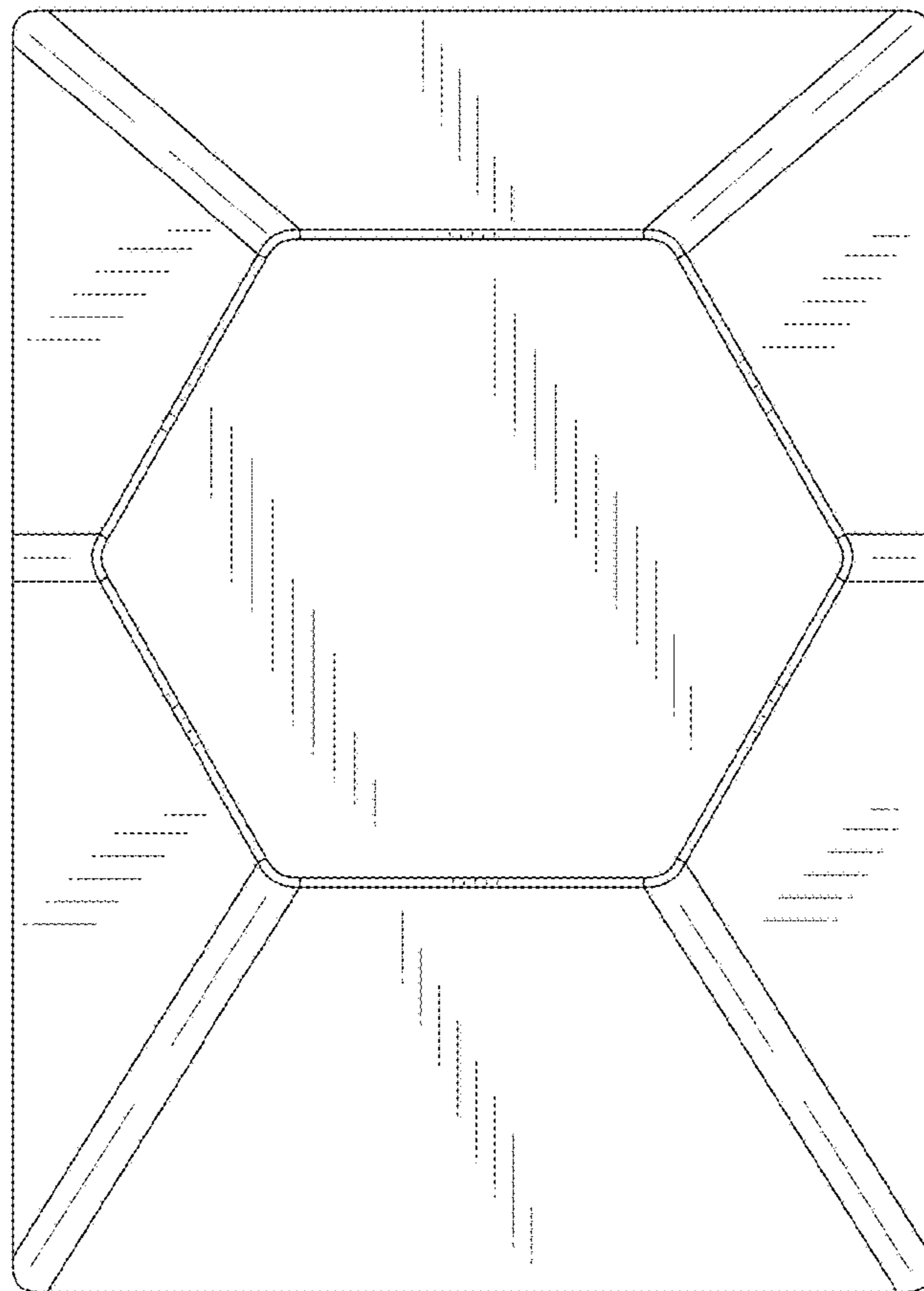


FIG.2

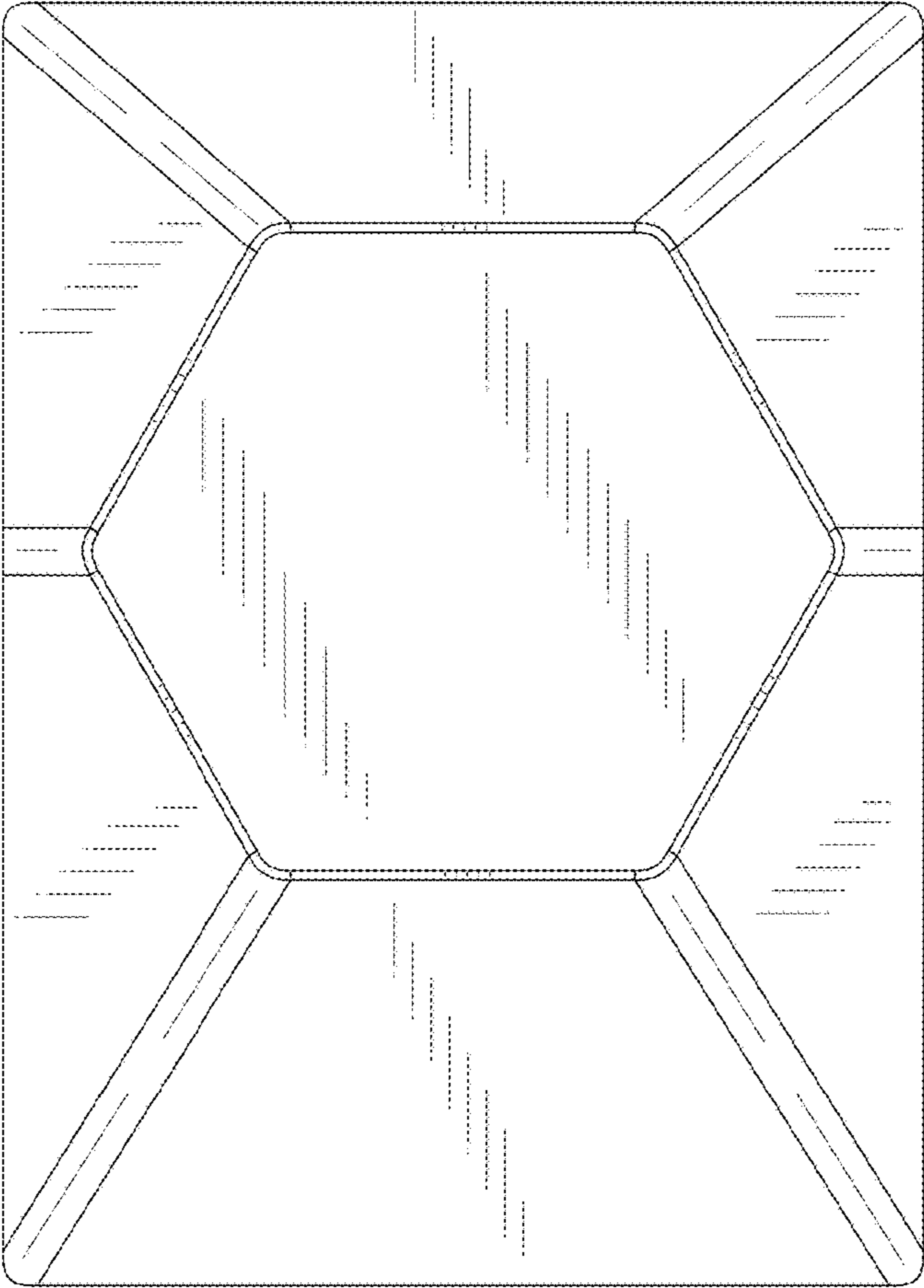


FIG.3

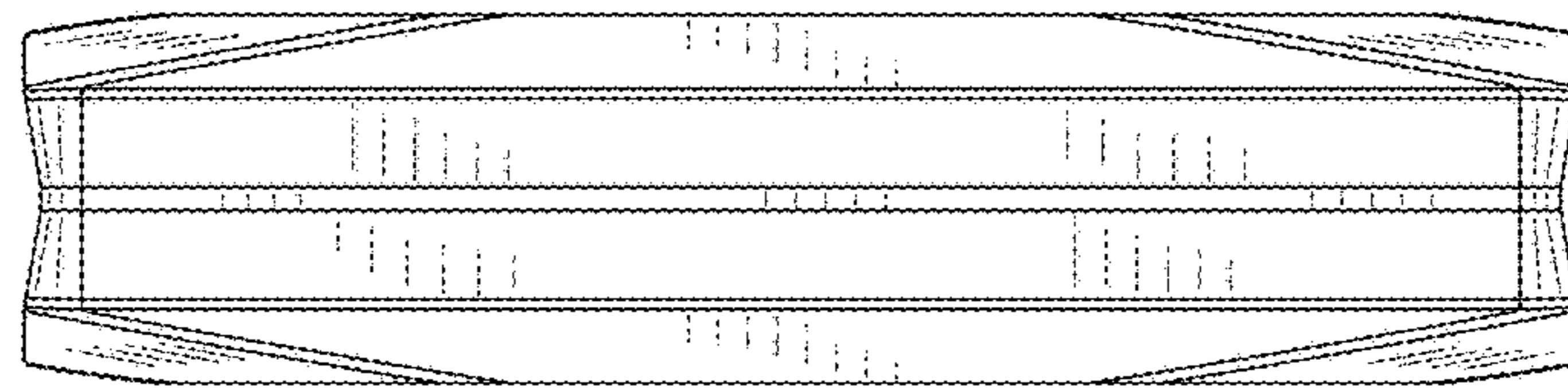


FIG.4

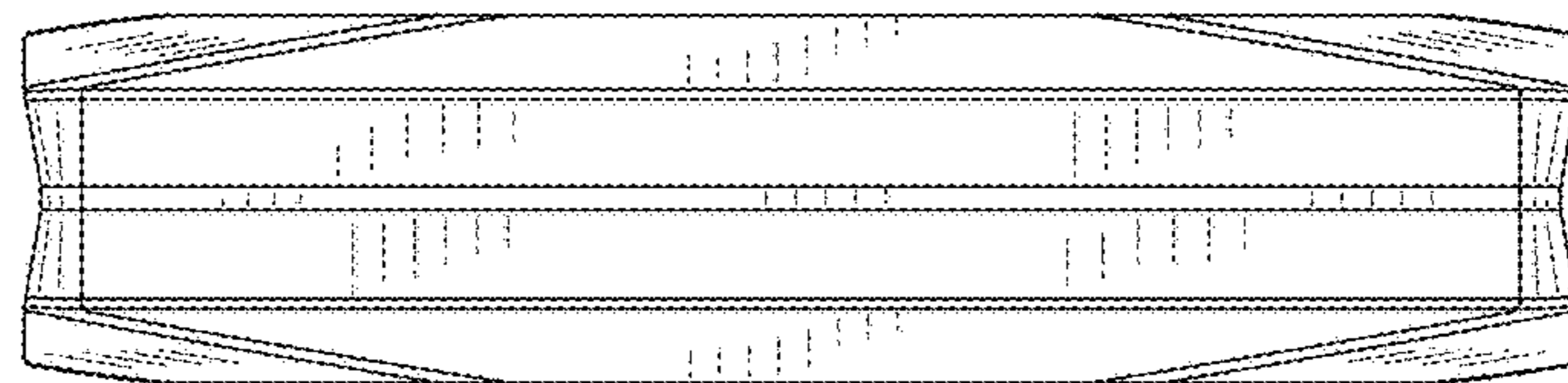


FIG.5

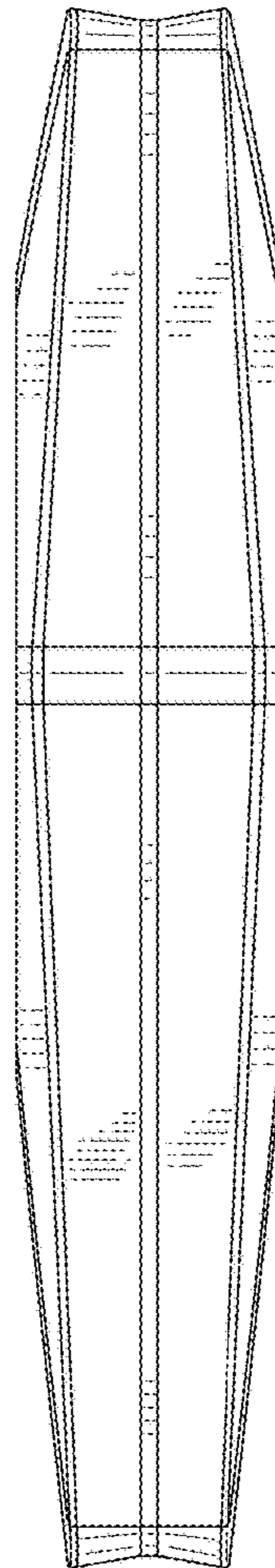


FIG.6

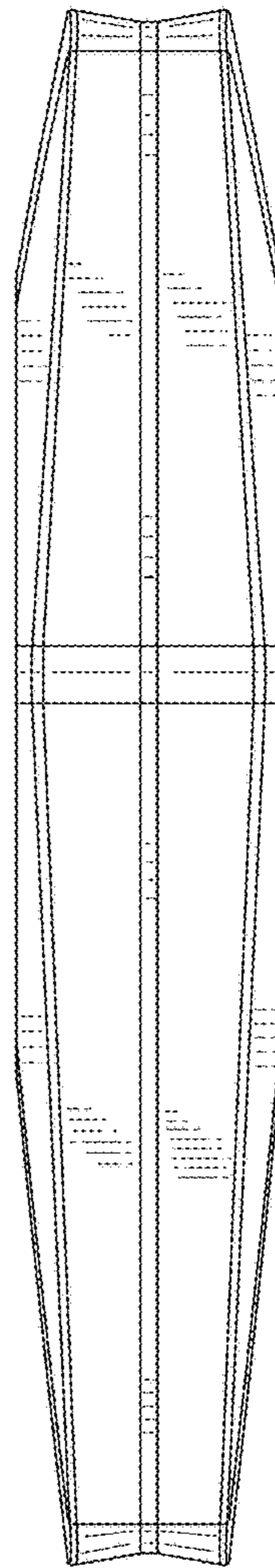


FIG.7

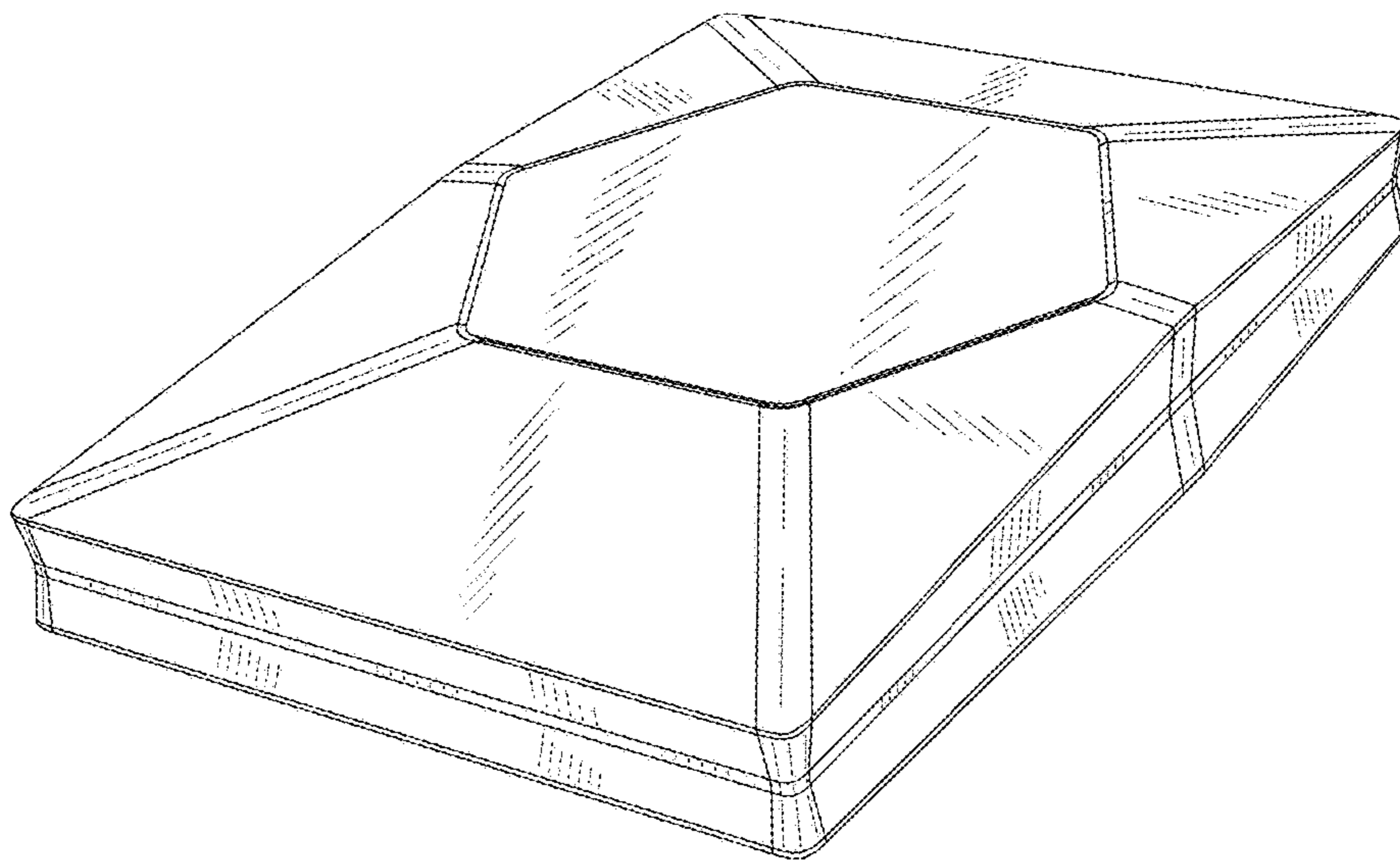


FIG.8

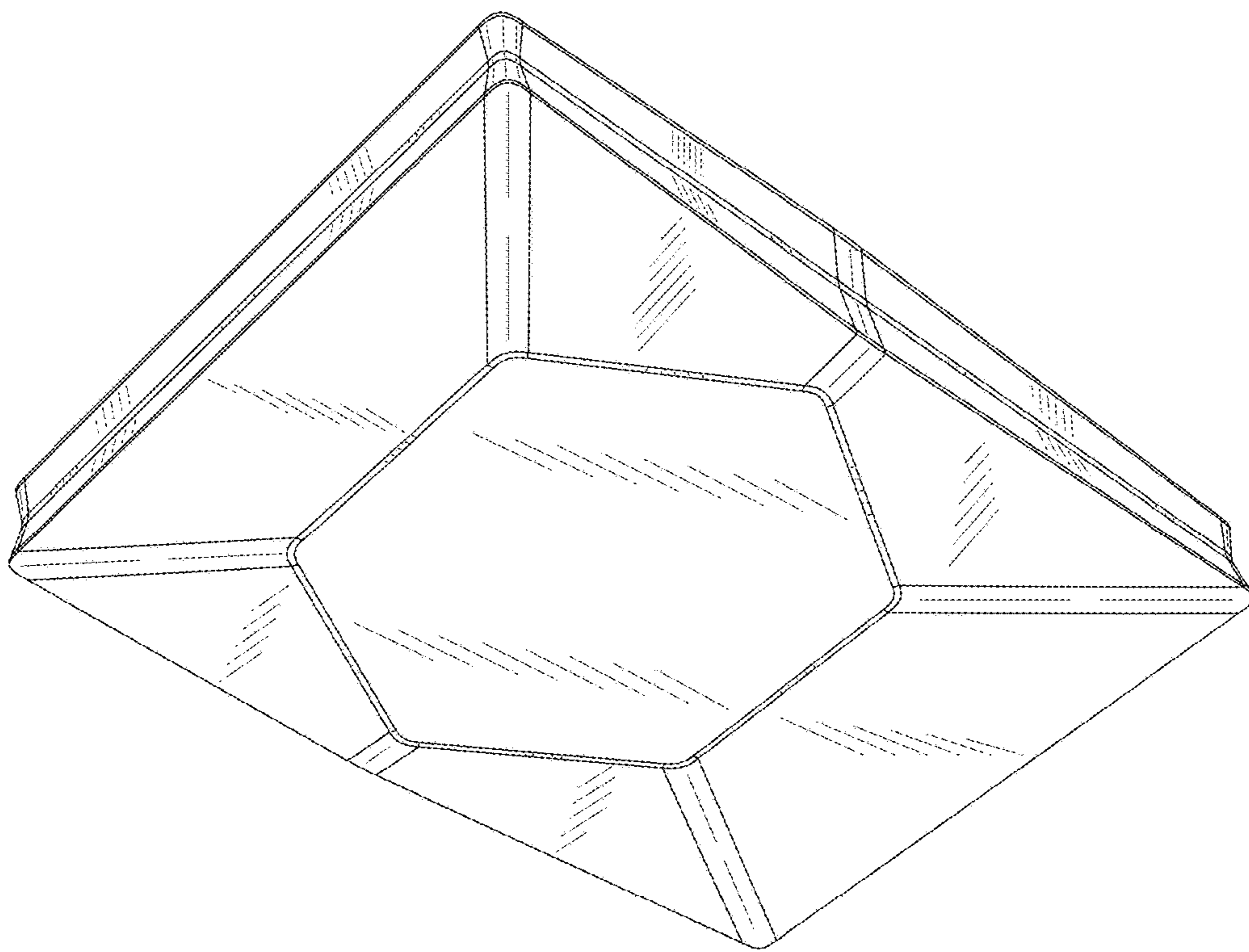


FIG.9

