

US00D839257S

(12) **United States Design Patent**
Polseno, Sr.

(10) **Patent No.:** **US D839,257 S**
(45) **Date of Patent:** **** Jan. 29, 2019**

(54) **CELL PHONE CASE**
(71) Applicant: **Derrick Polseno, Sr.**, Smithfield, RI
(US)
(72) Inventor: **Derrick Polseno, Sr.**, Smithfield, RI
(US)
(**) Term: **15 Years**

8,763,795 B1 7/2014 Oten et al.
D715,791 S * 10/2014 Yu D14/253
8,861,714 B1 10/2014 Leibenhaut et al.
D718,290 S * 11/2014 Whitten D14/250
8,960,630 B2 * 2/2015 Fu F16M 11/10
248/371
8,960,634 B2 2/2015 Le Gette et al.
D730,887 S * 6/2015 Lindemann D14/253
D749,069 S * 2/2016 Senoff D14/251

(Continued)

(21) Appl. No.: **29/603,524**
(22) Filed: **May 10, 2017**
(51) **LOC (11) Cl.** **14-03**
(52) **U.S. Cl.**
USPC **D14/250**
(58) **Field of Classification Search**
USPC D14/248, 439, 203.3-203.7, 447, 238.1,
D14/440, 251-253, 217, 240, 250;
D3/201, 218, 247, 269, 273, 301, 303;
D13/103, 107-108, 119
CPC H04B 1/3888; H04M 1/0283; H04M
1/0202; A45C 1/06; A45C 2011/002;
A45C 11/00; A45C 13/02; A45F
2005/026; A45F 2200/0525; A45F
2200/0516
See application file for complete search history.

FOREIGN PATENT DOCUMENTS

WO WO2013019937 A1 2/2013
Primary Examiner — Carla J Wright
(74) *Attorney, Agent, or Firm* — Adler Pollock &
Sheehan P.C.; Daniel J. Holmader, Esq.

(57) **CLAIM**

The ornamental design for a cell phone case, as shown and described.

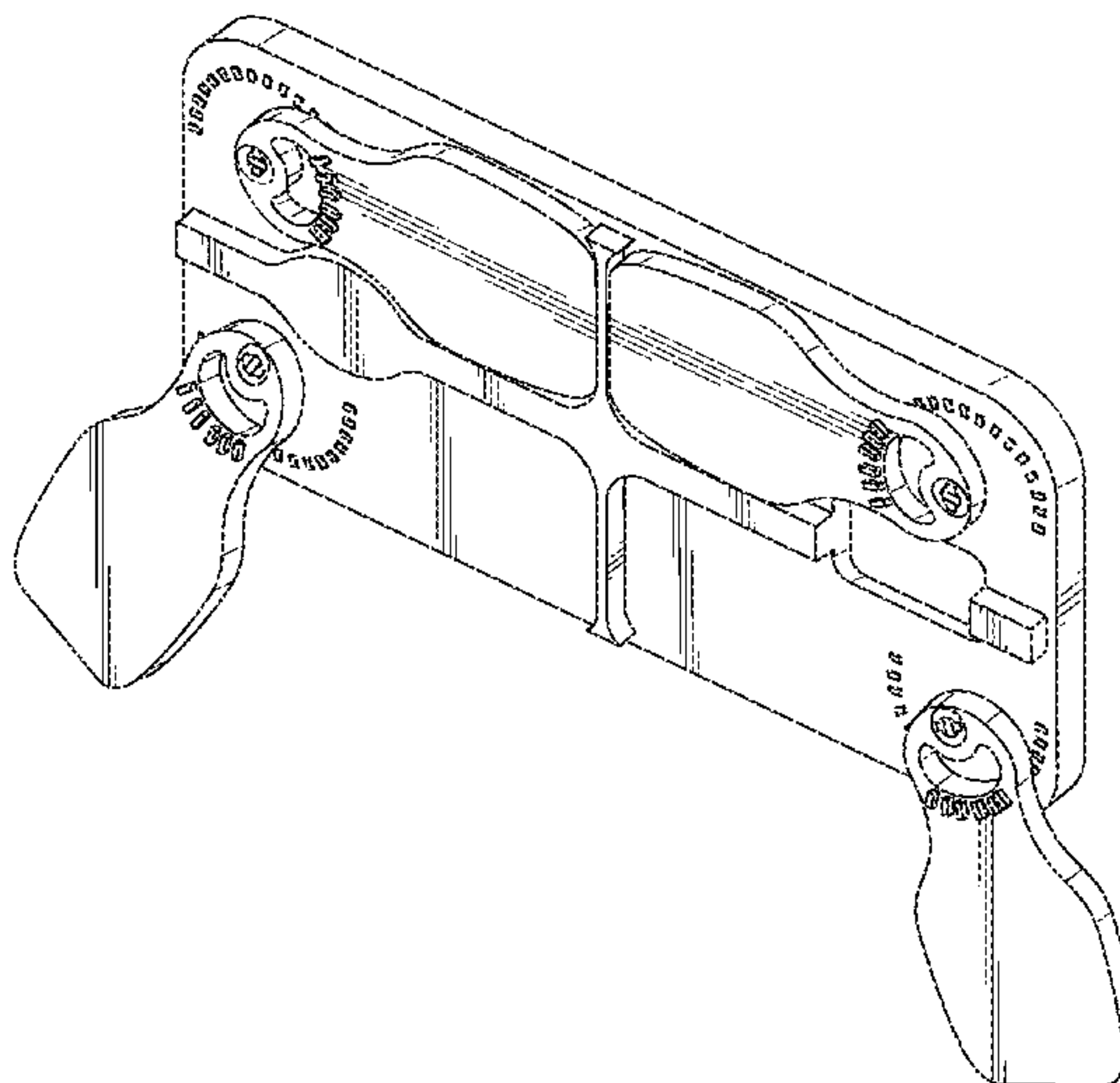
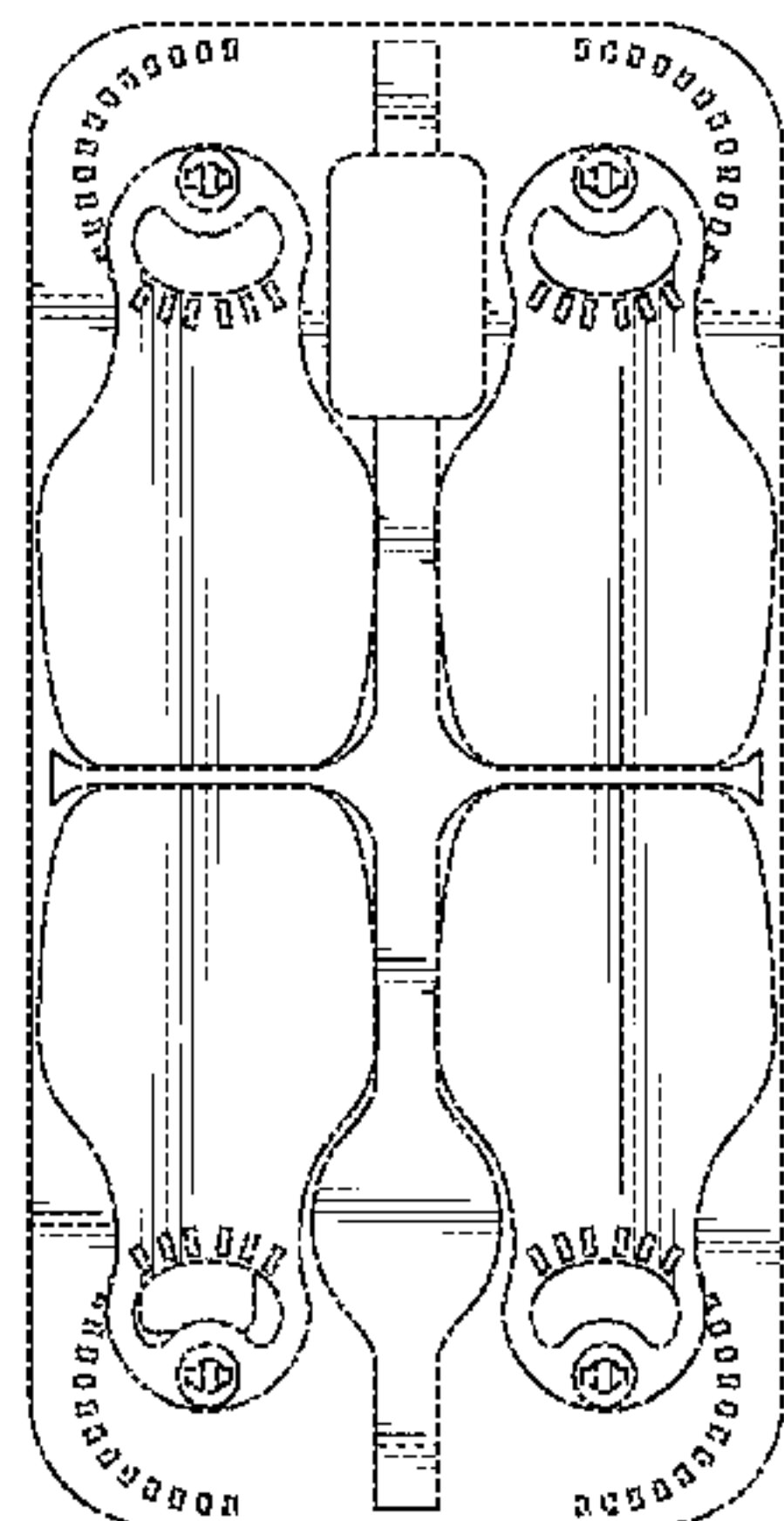
DESCRIPTION

FIG. 1 is a front elevation view of a cell phone case showing my new design;
FIG. 2 is a top view thereof;
FIG. 3 is a front perspective view thereof;
FIG. 4 is a front elevation thereof, showing two lower elements of the cell phone case in an alternate configuration;
FIG. 5 is a front perspective view thereof, showing two lower elements of the cell phone case in an alternate configuration;
FIG. 6 is a second front perspective view thereof, showing two right-side elements of the cell phone case in an alternate configuration; and,
FIG. 7 is an exploded front view thereof, showing four elements of the cell phone accessory separated from the underlying rear portion of the cell phone case for clarity of disclosure.

(56) **References Cited**
U.S. PATENT DOCUMENTS

5,833,100 A 11/1998 Kim
6,249,684 B1 6/2001 Hasegawa
7,597,225 B2 10/2009 Badillo et al.
D605,188 S * 12/2009 Martinez D14/253
D647,085 S * 10/2011 Chung A45C 11/00
D14/250
8,049,727 B2 * 11/2011 Hanson G06F 1/1601
345/156
D670,691 S * 11/2012 Novak D14/253
D687,428 S * 8/2013 Kim D14/253
8,560,031 B2 * 10/2013 Barnett F16M 11/10
455/575.8
8,636,183 B1 1/2014 Steiner

1 Claim, 7 Drawing Sheets



(56)

References Cited

U.S. PATENT DOCUMENTS

D749,558 S * 2/2016 Nielsen D14/251
 D750,059 S * 2/2016 Atteridge D14/252
 9,301,584 B2 * 4/2016 Butts A45C 11/00
 9,423,671 B2 8/2016 O'Neill et al.
 9,473,190 B1 10/2016 Sandlofer
 D777,154 S * 1/2017 McGowan D14/250
 D778,275 S * 2/2017 Gabriel D14/250
 D780,739 S * 3/2017 Kalbach D14/250
 9,653,934 B2 5/2017 Forristall et al.
 D791,759 S * 7/2017 Lin D14/250
 9,774,713 B2 9/2017 Guerdum et al.
 2013/0079066 A1 3/2013 Chan
 2014/0124388 A1 * 5/2014 McGowan G06F 1/1626
 206/37
 2014/0124521 A1 * 5/2014 Brown H05K 5/023
 220/756
 2014/0146193 A1 * 5/2014 Yang H04N 5/23203
 348/211.4
 2014/0167431 A1 6/2014 Enkerlin et al.
 2015/0175309 A1 * 6/2015 McGowan B65D 25/2882
 224/191
 2016/0070156 A1 * 3/2016 Alster G03B 17/563
 396/424
 2016/0080024 A1 3/2016 Wilson et al.
 2016/0262513 A1 * 9/2016 O'Neill A45C 11/00
 2017/0214783 A1 * 7/2017 Filser H04M 1/72527

* cited by examiner

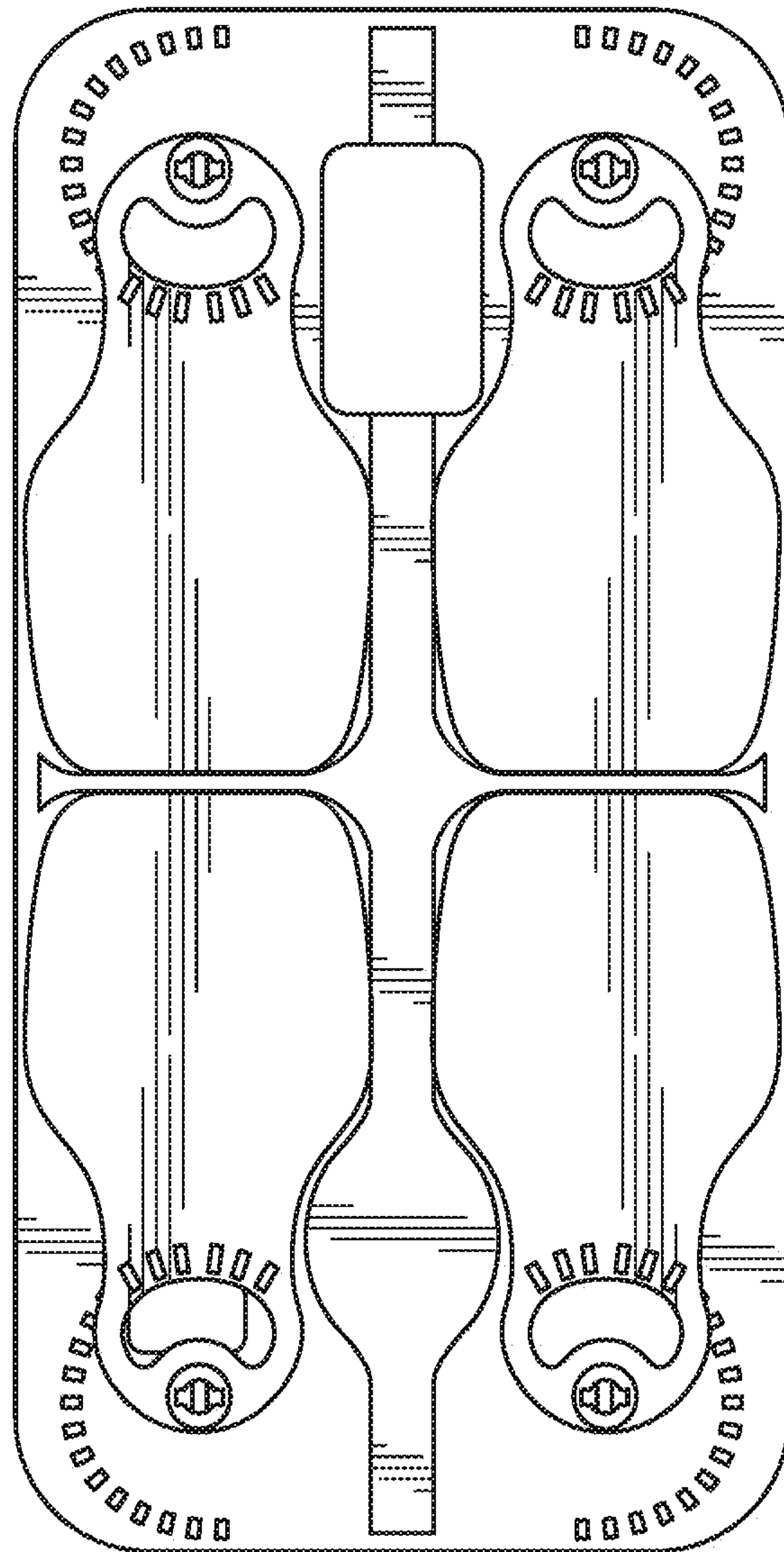


FIG. 1

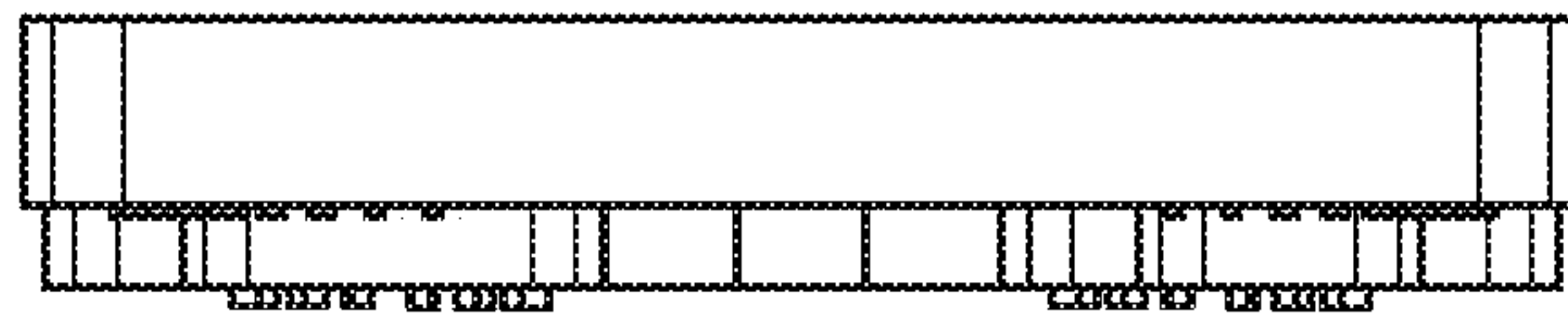


FIG. 2

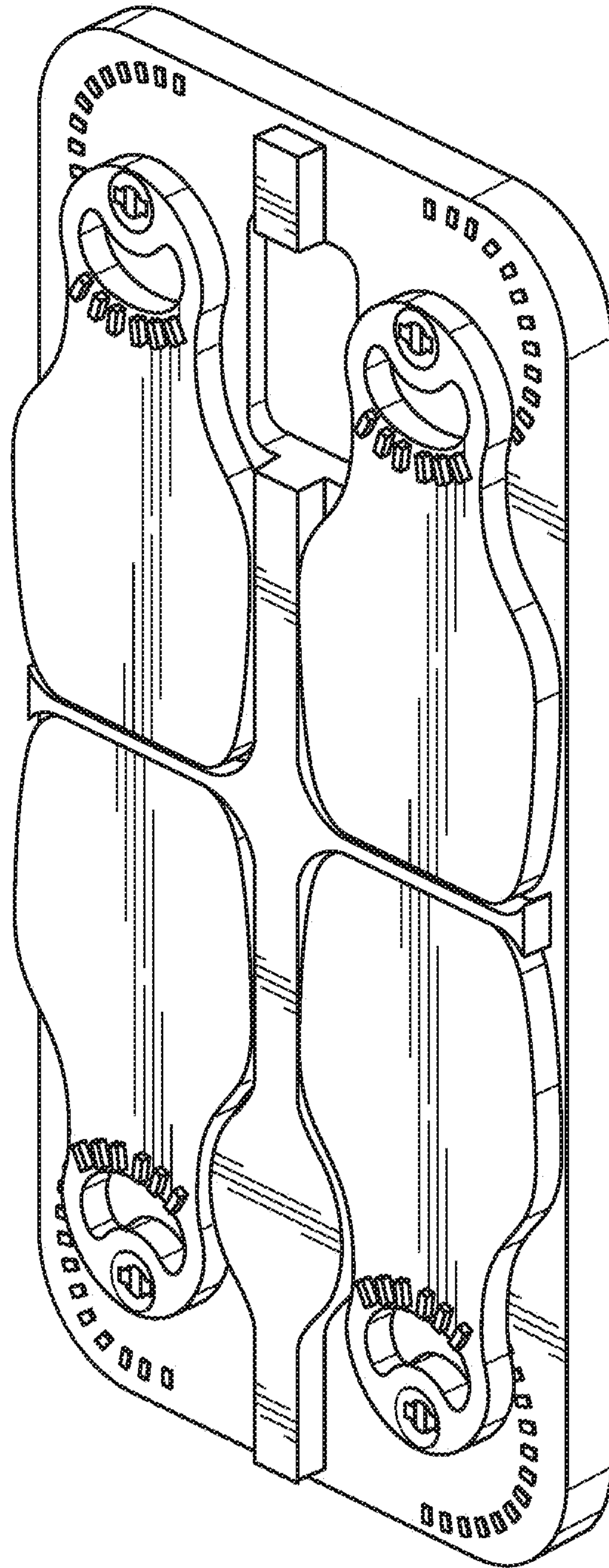


FIG. 3

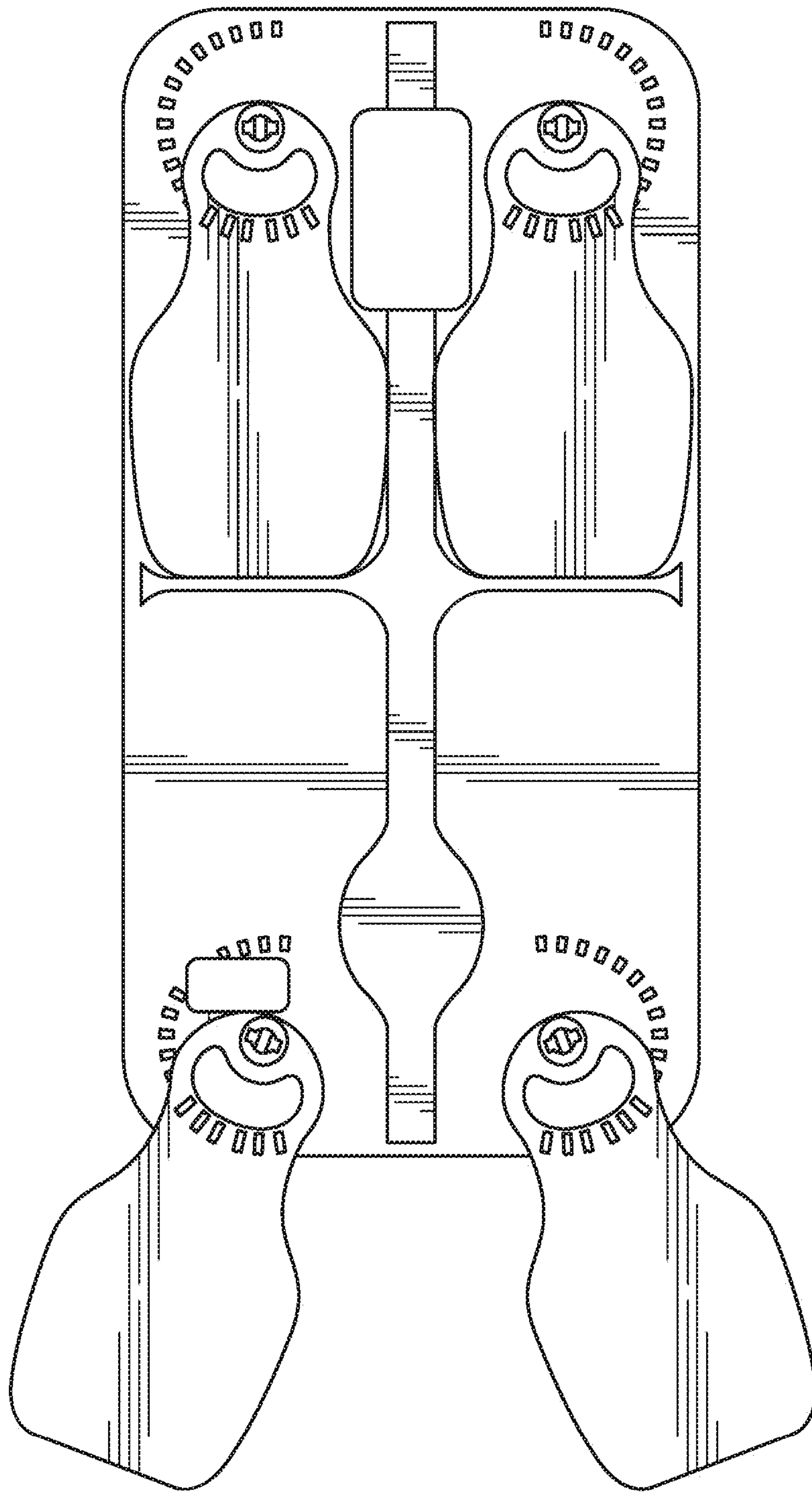


FIG. 4

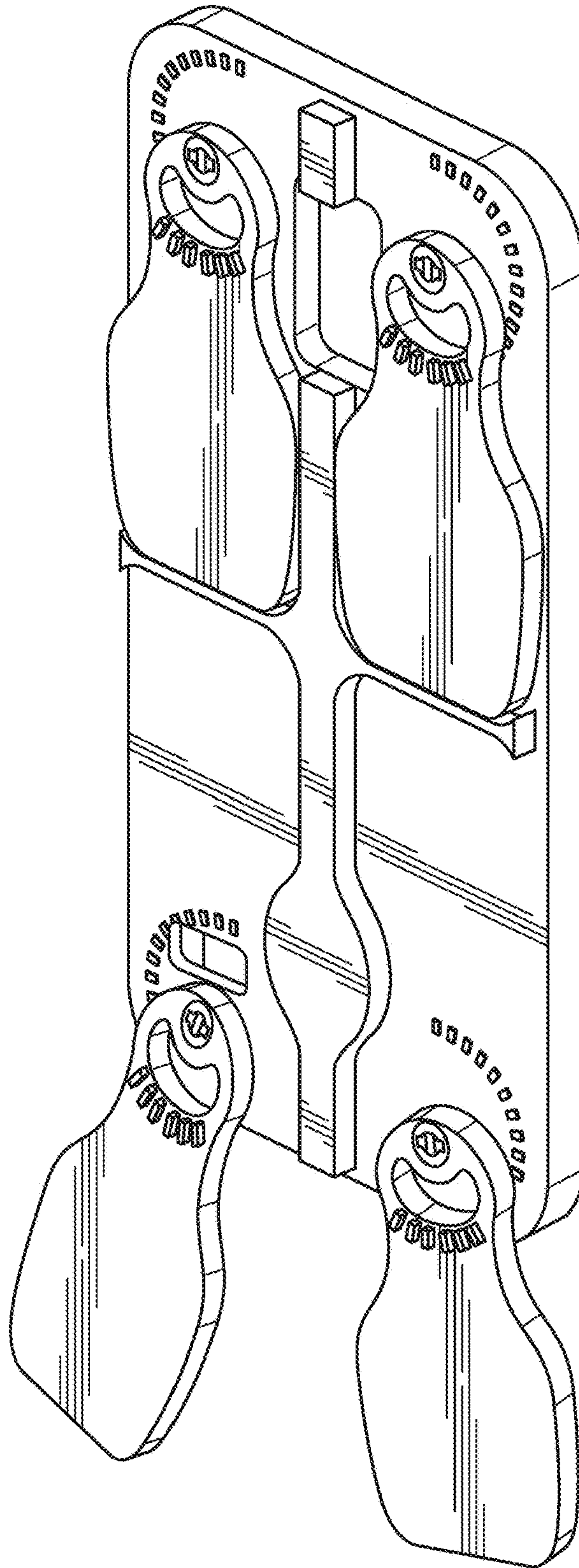


FIG. 5

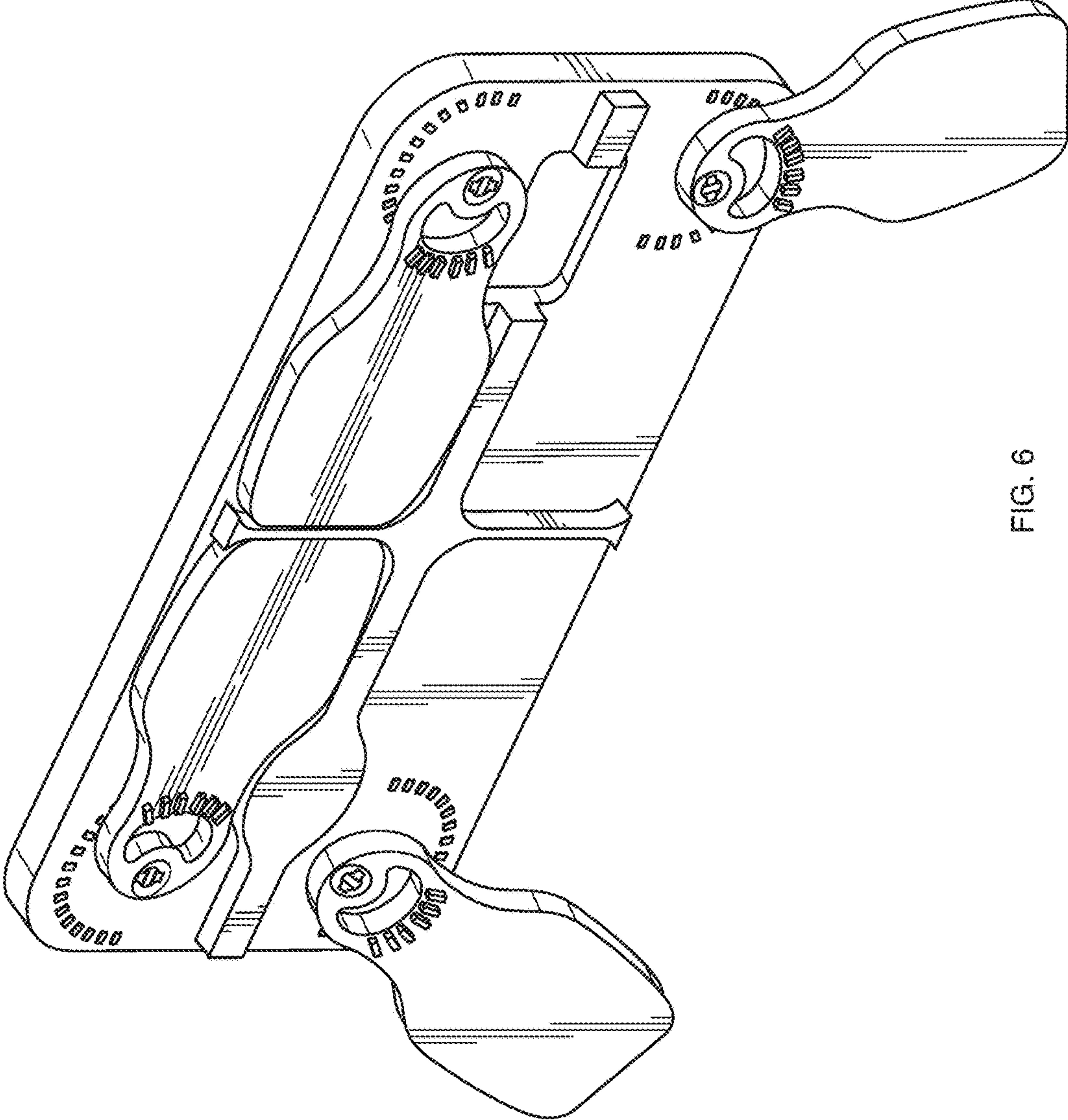


FIG. 6

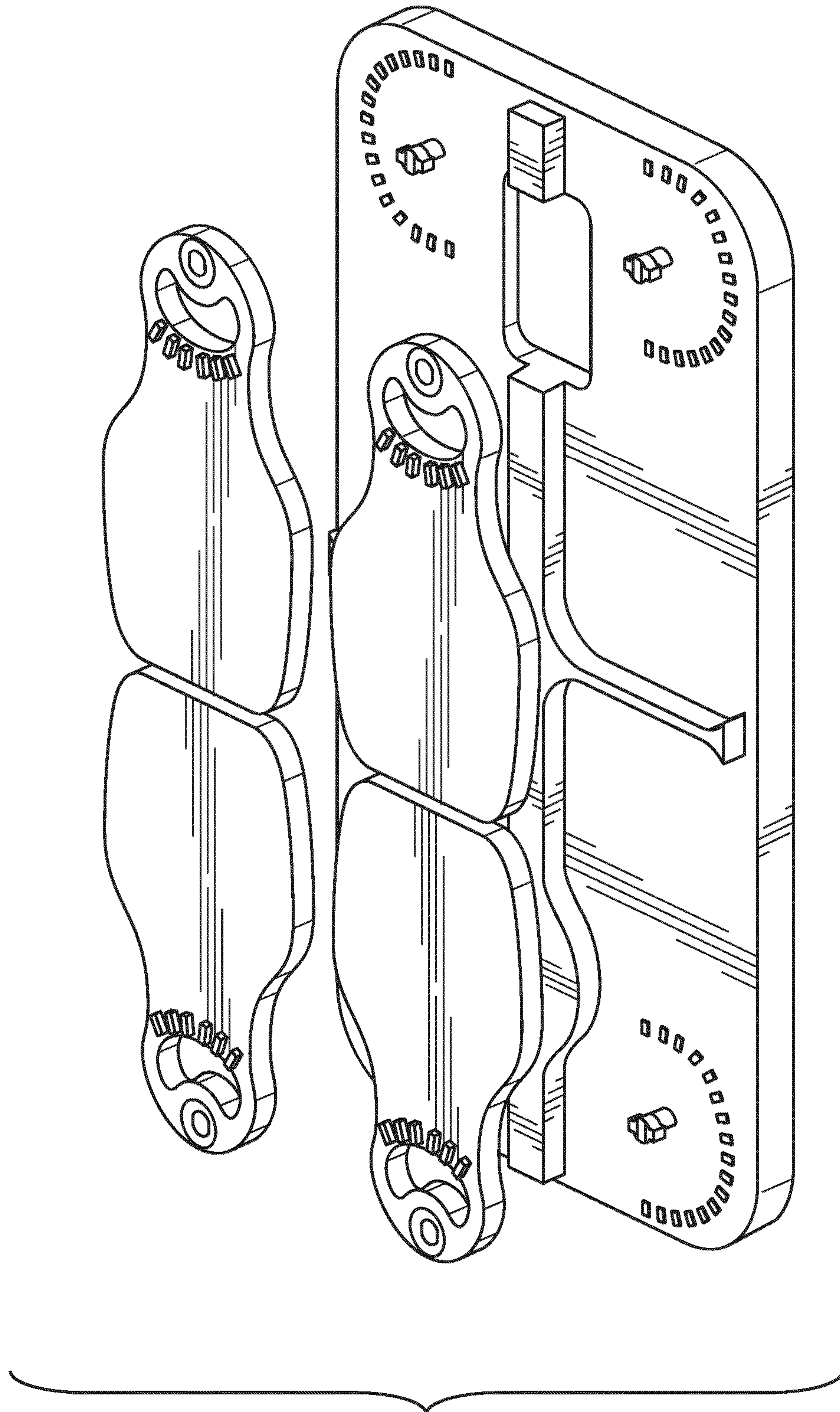


FIG. 7