



US00D839254S

(12) **United States Design Patent**
Nazar

(10) **Patent No.:** **US D839,254 S**
(45) **Date of Patent:** **** Jan. 29, 2019**

(54) **CASE FOR AN ELECTRONIC DEVICE**

(74) *Attorney, Agent, or Firm* — Belles Katz, LLC

(71) Applicant: **Hypercel Corporation**, Valencia, CA (US)

(57) **CLAIM**

I claim the ornamental design for a case for an electronic device, as shown and described.

(72) Inventor: **David Nazar**, Valencia, CA (US)

(73) Assignee: **Hypercel Corporation**

DESCRIPTION

(**) Term: **15 Years**

(21) Appl. No.: **29/574,175**

(22) Filed: **Aug. 12, 2016**

(51) **LOC (11) Cl.** **14-03**

(52) **U.S. Cl.**
USPC **D14/250**

(58) **Field of Classification Search**
USPC D14/143, 189, 203.2–203.7, 217, 238.1, D14/240, 248, 250–253, 440, 447, 496; D3/201, 218, 247–251, 269, 273, 301, D3/303; D13/103, 107–108, 119
CPC A45C 1/06; A45C 11/00; A45C 13/02; A45C 2011/002; A45F 2005/026; A45F 2200/0525; A45F 2200/0516; H04B 1/3888; H04M 1/0283; H04M 1/0202
See application file for complete search history.

FIG. 1 is a front perspective view of a case for an electronic device according to a first embodiment of the present invention;
FIG. 2 is a rear perspective view thereof;
FIG. 3 is a front view thereof;
FIG. 4 is a rear view thereof;
FIG. 5 is a left-side view thereof;
FIG. 6 is a right-side view thereof;
FIG. 7 is a top view thereof;
FIG. 8 is a bottom view thereof;
FIG. 9 is a front perspective view of a case for an electronic device according to a second embodiment of the present invention;
FIG. 10 is a rear perspective view thereof;
FIG. 11 is a front view thereof;
FIG. 12 is a rear view thereof;
FIG. 13 is a left-side view thereof;
FIG. 14 is a right-side view thereof;
FIG. 15 is a top view thereof;
FIG. 16 is a bottom view thereof;
FIG. 17 is a front perspective view of a case for an electronic device according to a third embodiment of the present invention;
FIG. 18 is a rear perspective view thereof;
FIG. 19 is a front view thereof;
FIG. 20 is a rear view thereof;
FIG. 21 is a left-side view thereof;
FIG. 22 is a right-side view thereof;
FIG. 23 is a top view thereof; and,
FIG. 24 is a bottom view thereof.
The broken lines shown in the drawings illustrate portions of the article that form no part of the claimed design.

(56) **References Cited**

U.S. PATENT DOCUMENTS

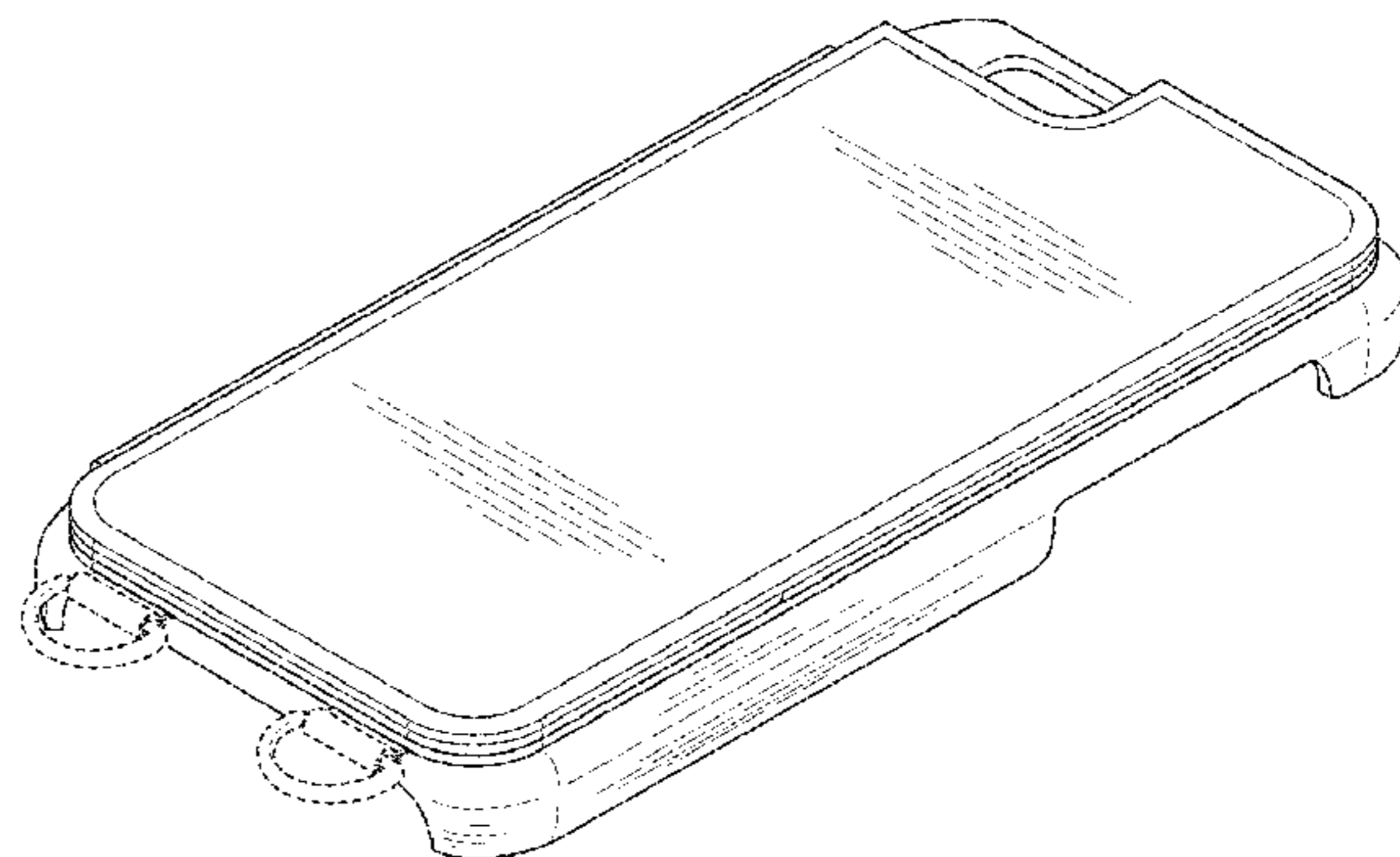
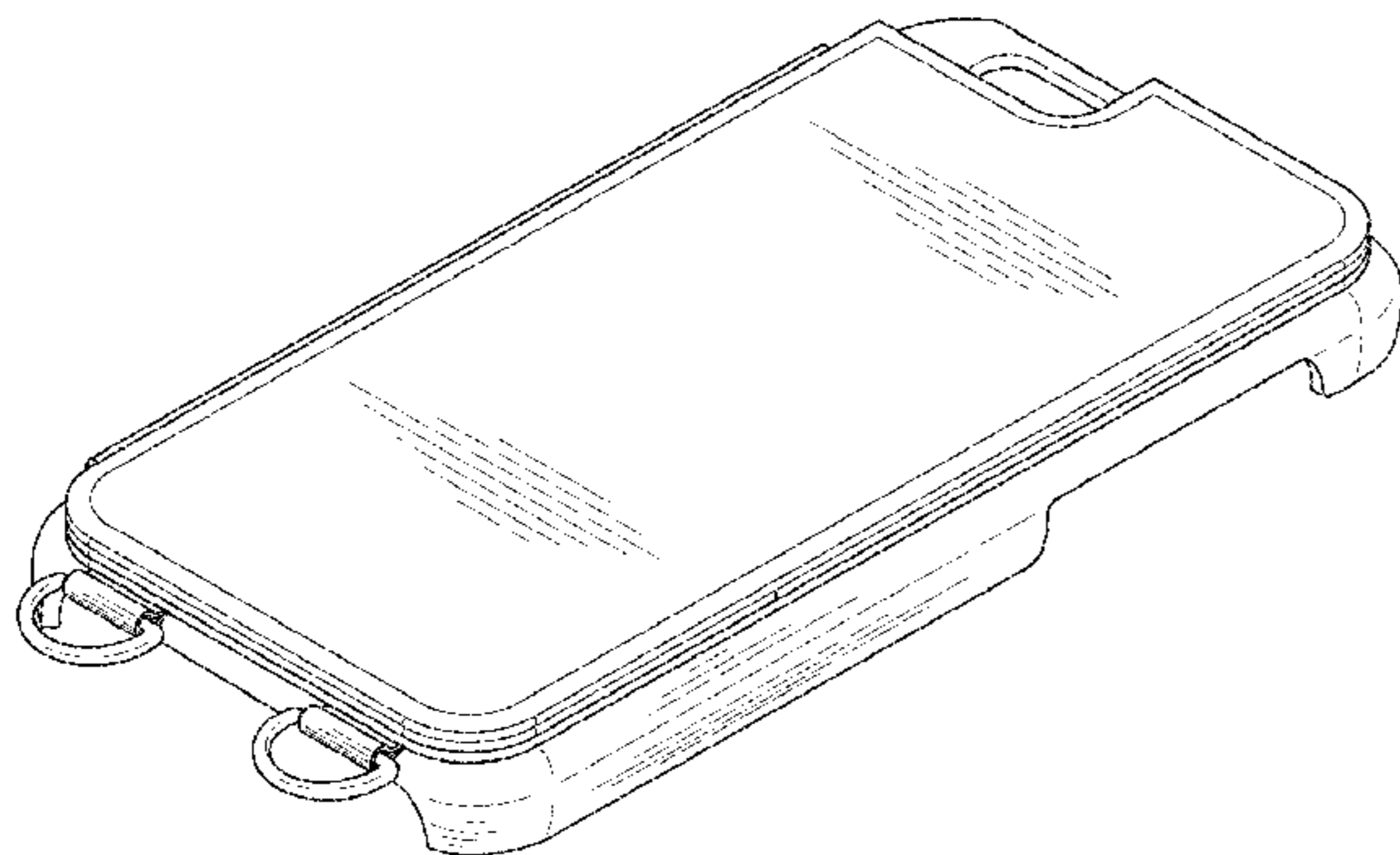
D533,994 S	*	12/2006	Hussaini	D3/218
D547,055 S	*	7/2007	Ballman	D3/218
D564,752 S		3/2008	Badillo et al.		
D669,458 S		10/2012	Wilson et al.		
D688,655 S	*	8/2013	Rey-Hipolito	D14/250
D700,599 S		3/2014	Kim		
D705,764 S	*	5/2014	Thoni	D14/250
D709,073 S	*	7/2014	Inman	D14/447
D721,070 S		1/2015	Pickett et al.		

(Continued)

Primary Examiner — Eric L Goodman

Assistant Examiner — Aula Soroush

1 Claim, 18 Drawing Sheets



(56)

References Cited

U.S. PATENT DOCUMENTS

8,989,826	B1	3/2015	Connolly	
D736,196	S	8/2015	Karis et al.	
D744,471	S	12/2015	Fitzgerald et al.	
D749,322	S *	2/2016	Wright	D3/300
D754,666	S *	4/2016	Tiffen	D14/440
D759,646	S	6/2016	Karis et al.	
D802,572	S *	11/2017	Harris	D14/250
D802,575	S *	11/2017	Castro	D14/250
2012/0244918	A1	9/2012	Hall	
2013/0157730	A1	6/2013	McCormac et al.	

* cited by examiner

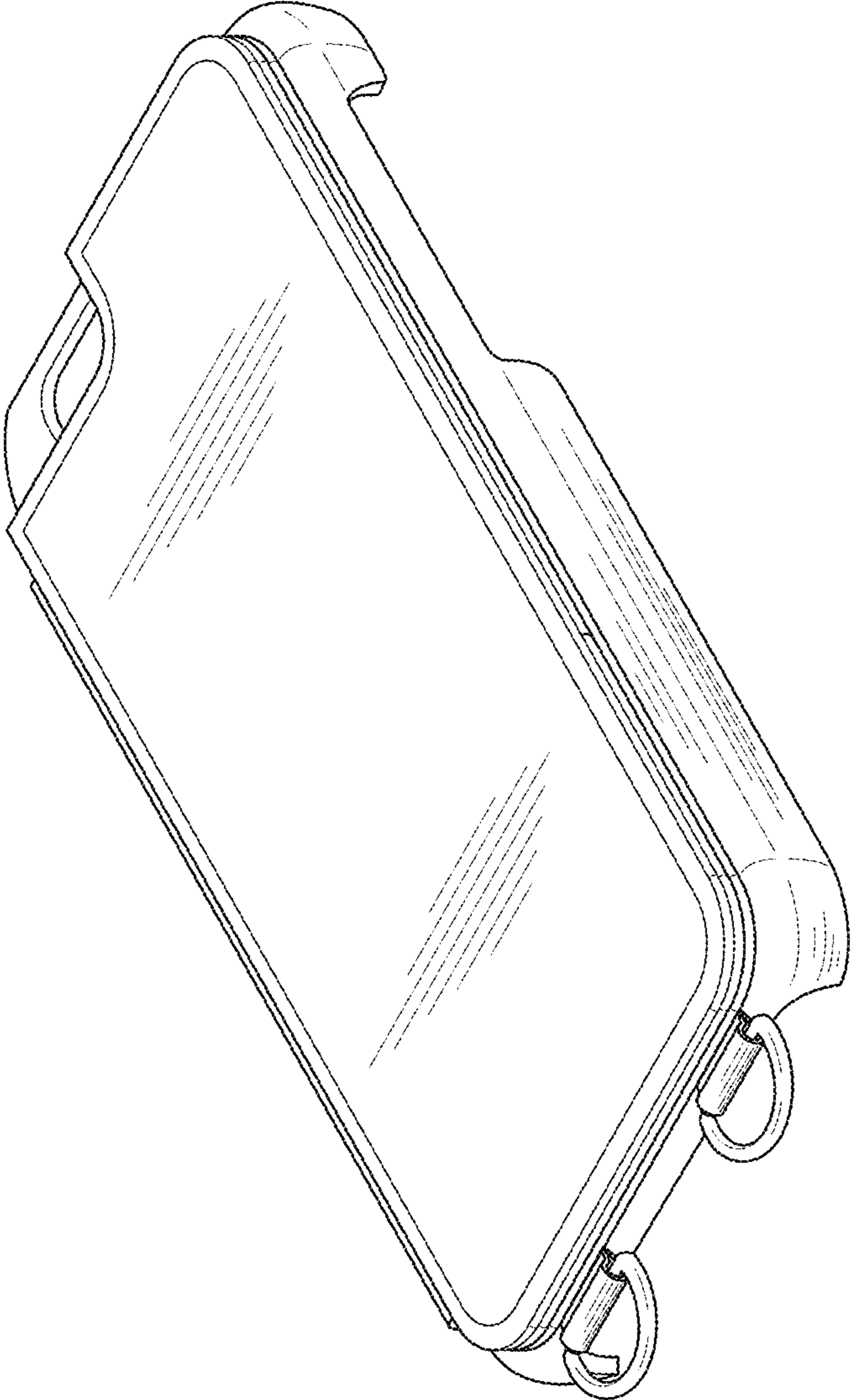


FIG. 1

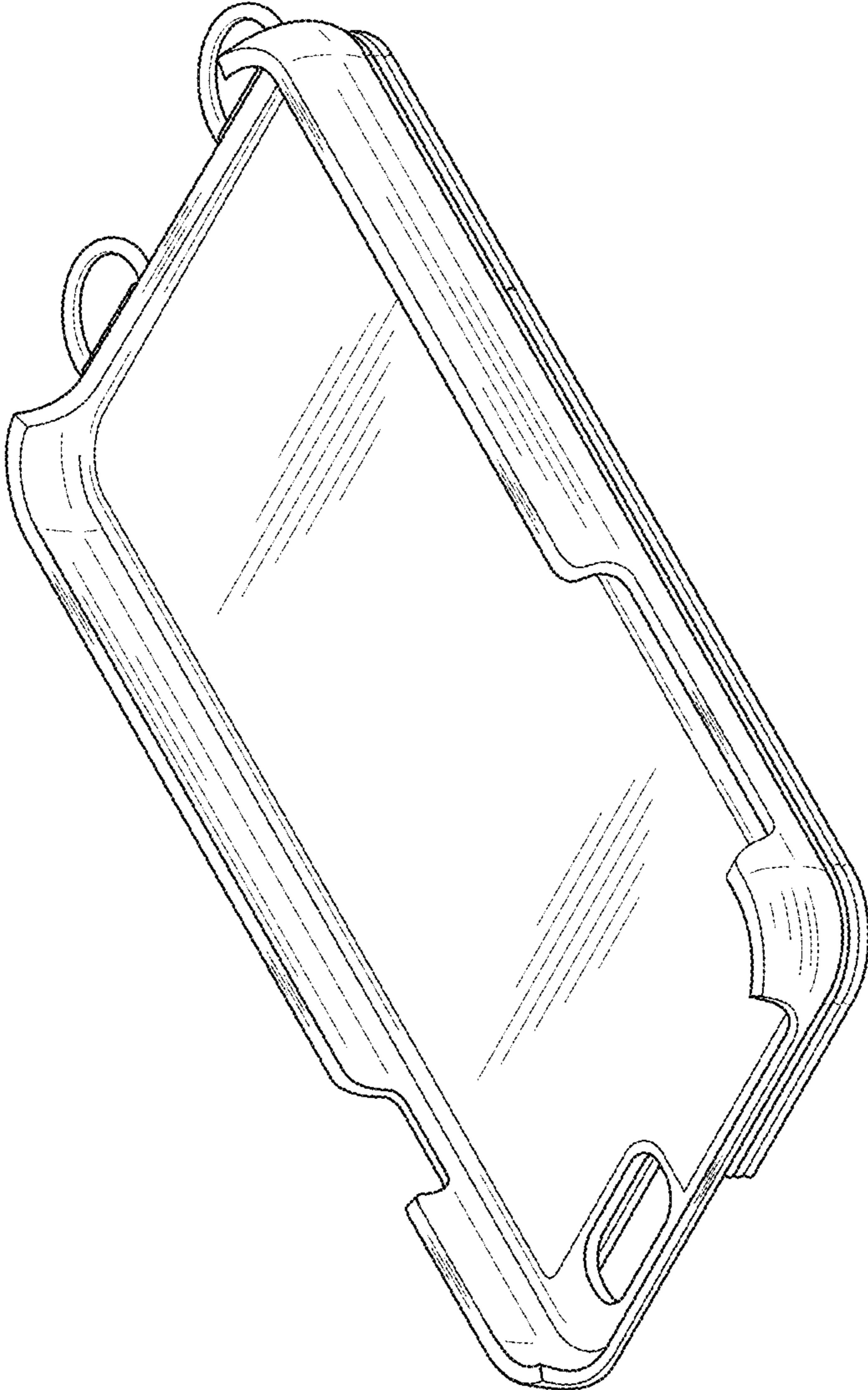


FIG. 2

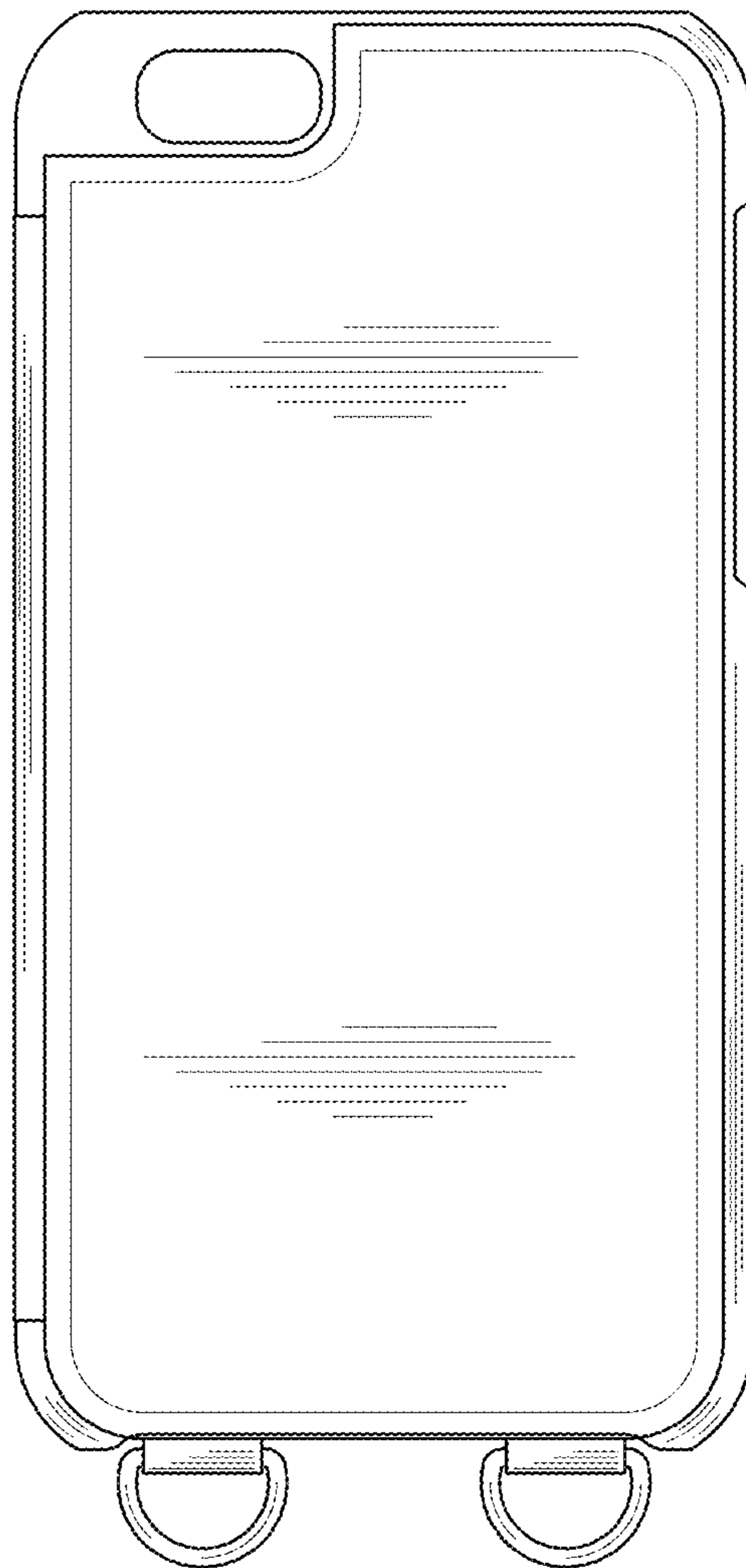


FIG. 3

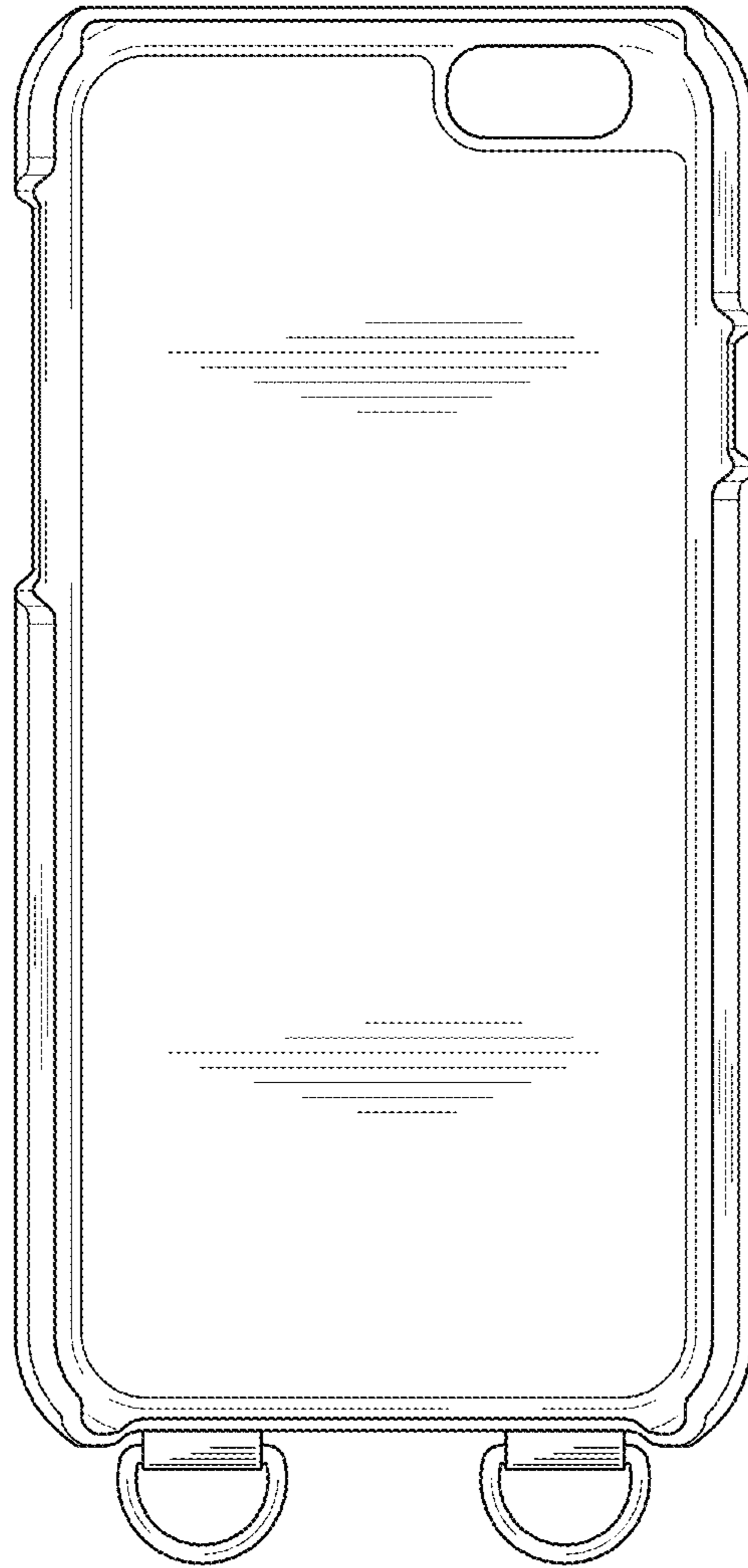


FIG. 4

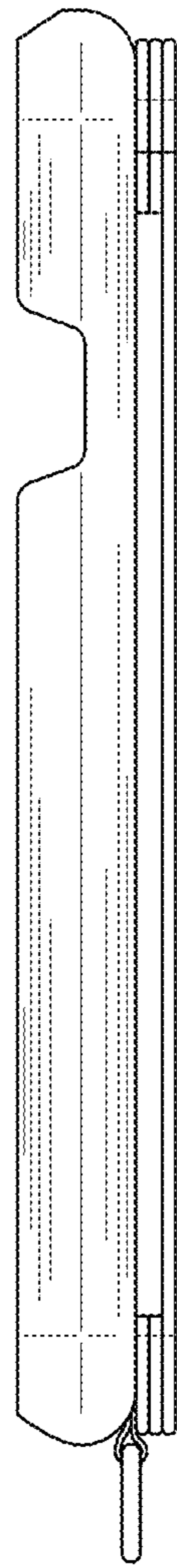


FIG. 5

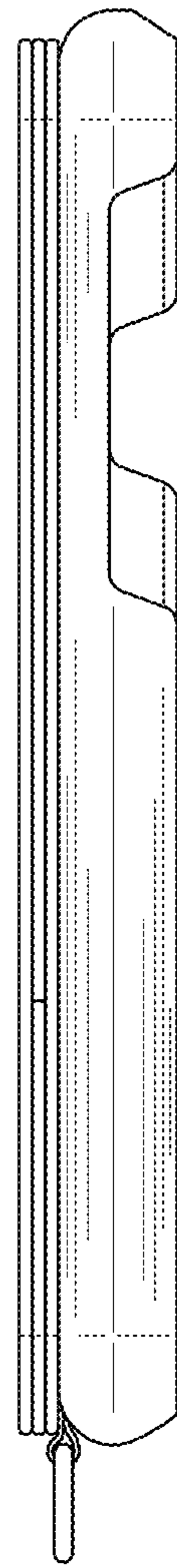


FIG. 6

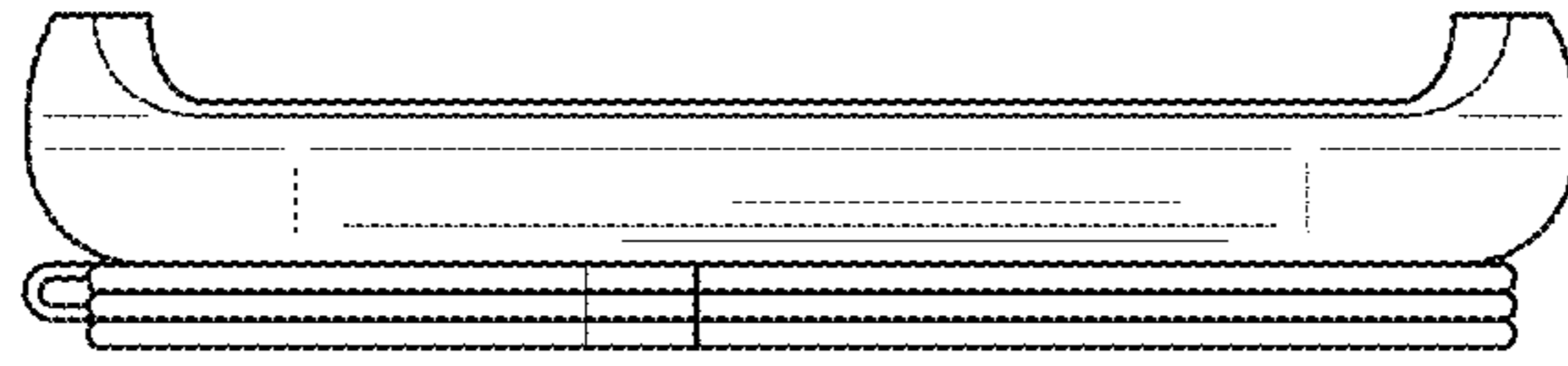


FIG. 7

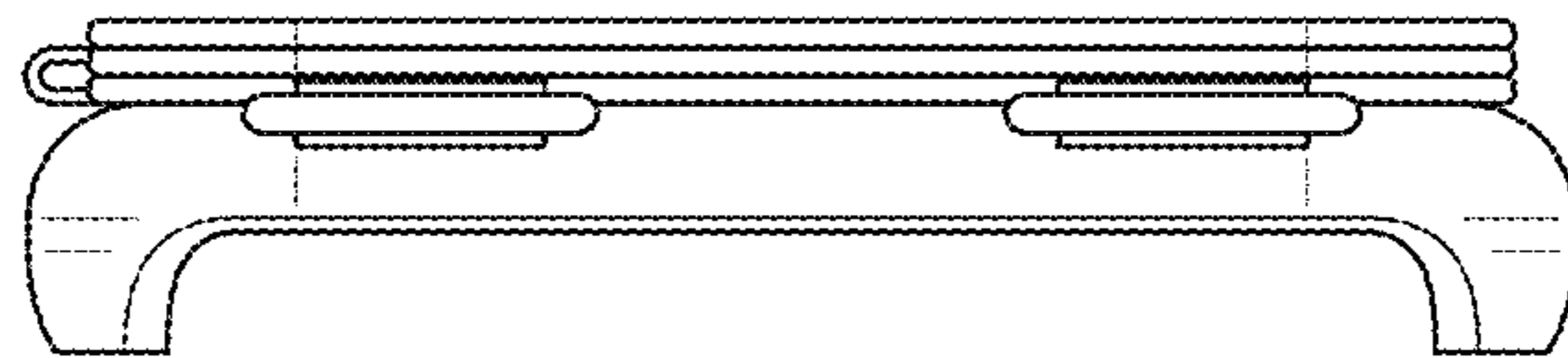


FIG. 8

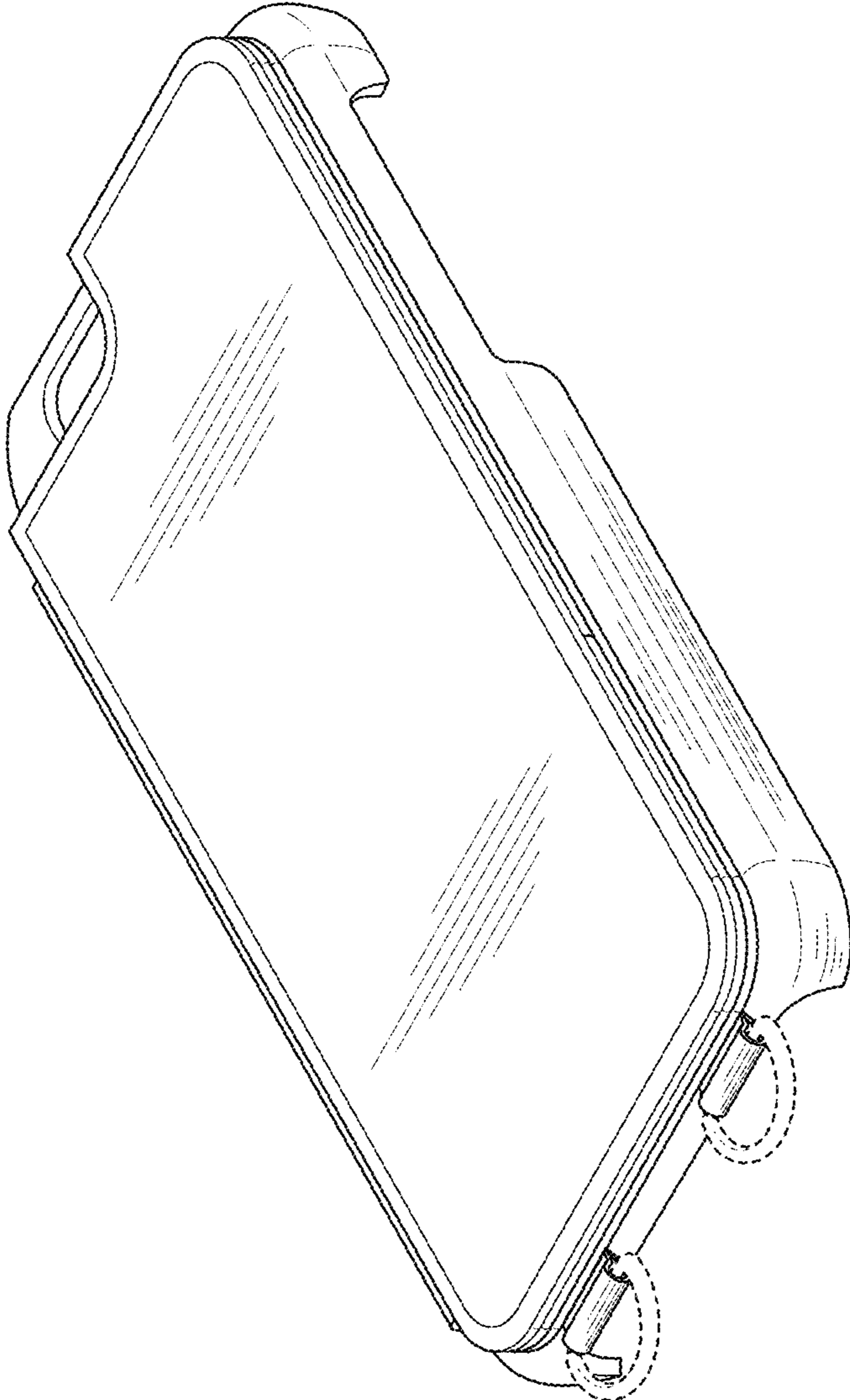


FIG. 9

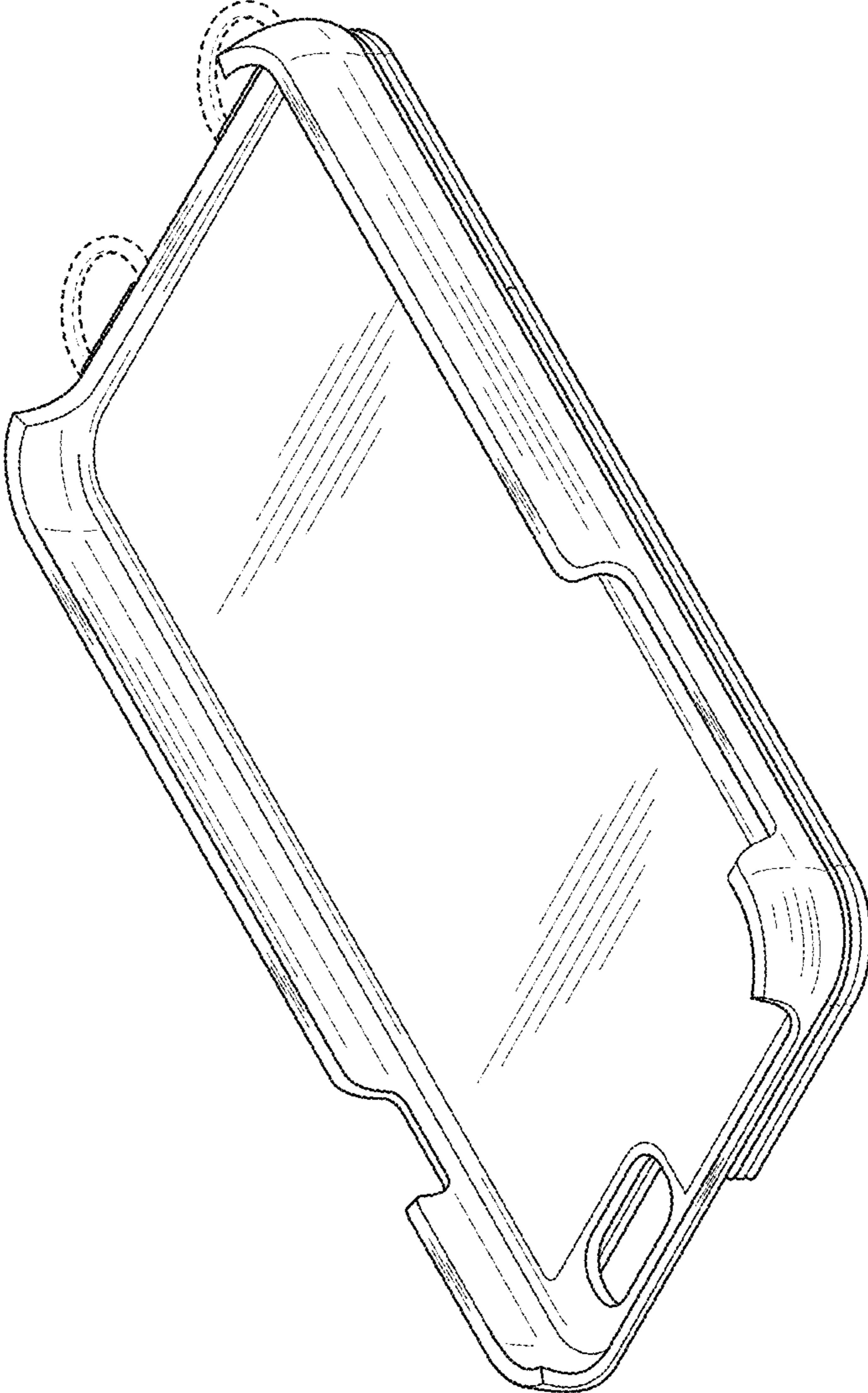


FIG. 10

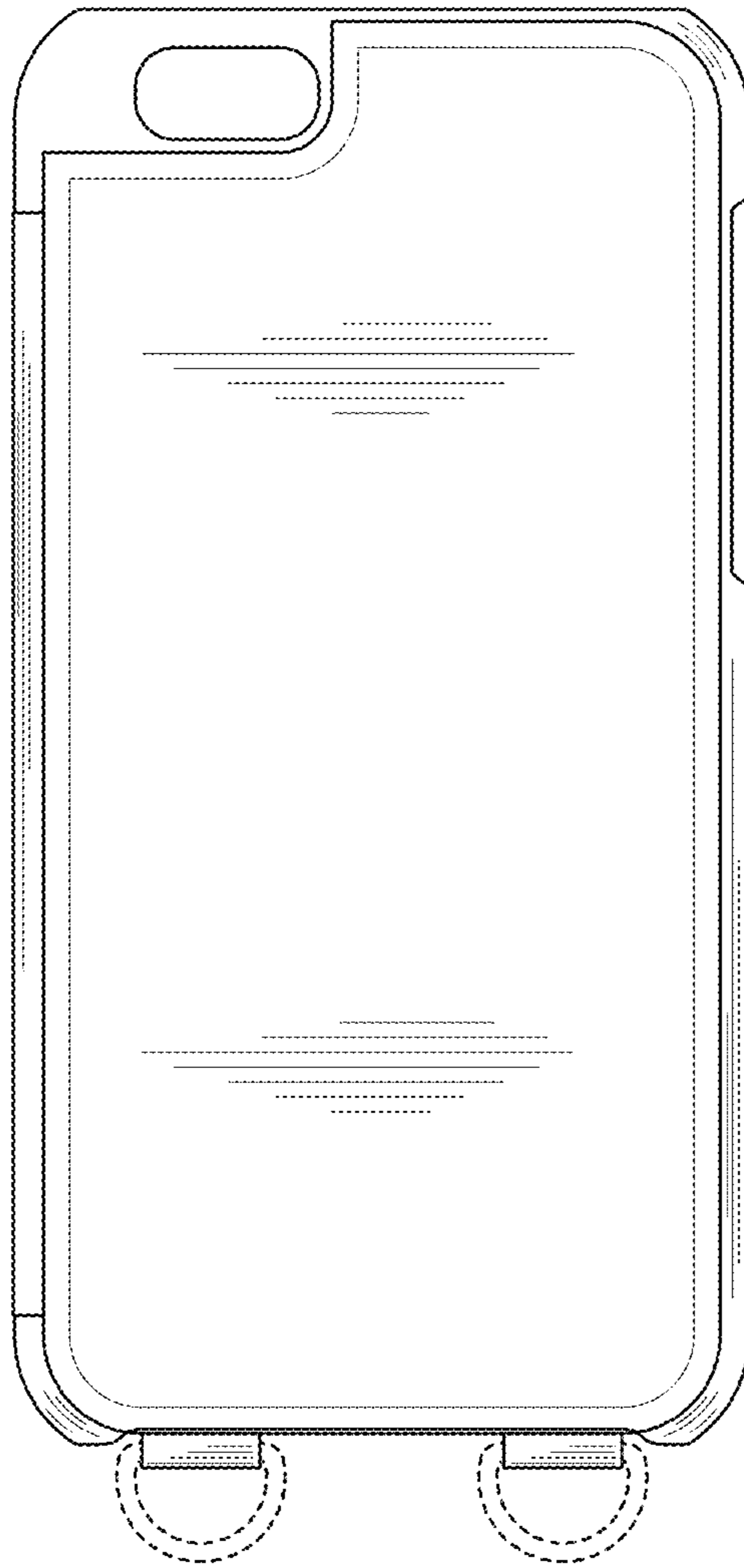


FIG. 11

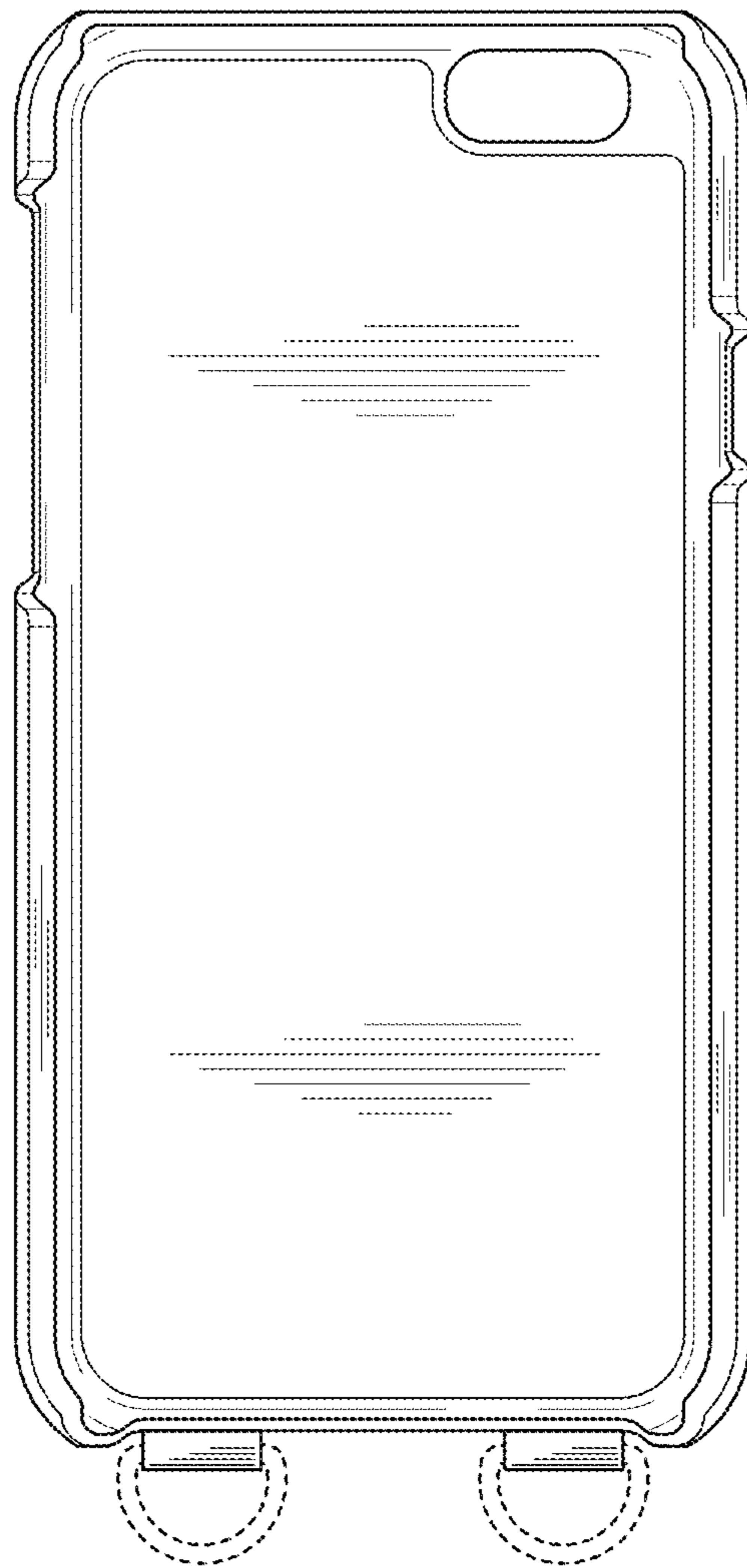


FIG. 12

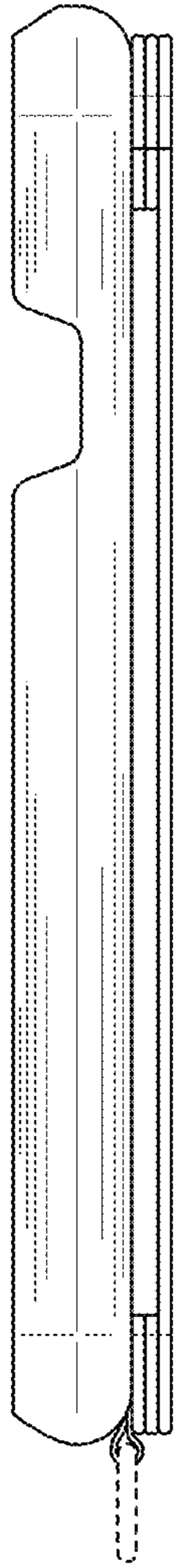


FIG. 13

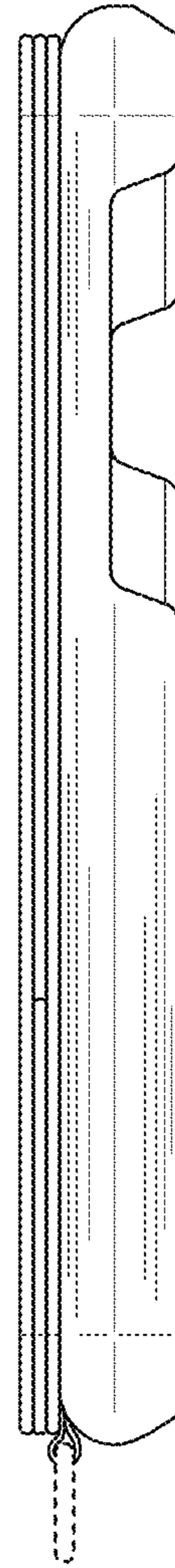


FIG. 14

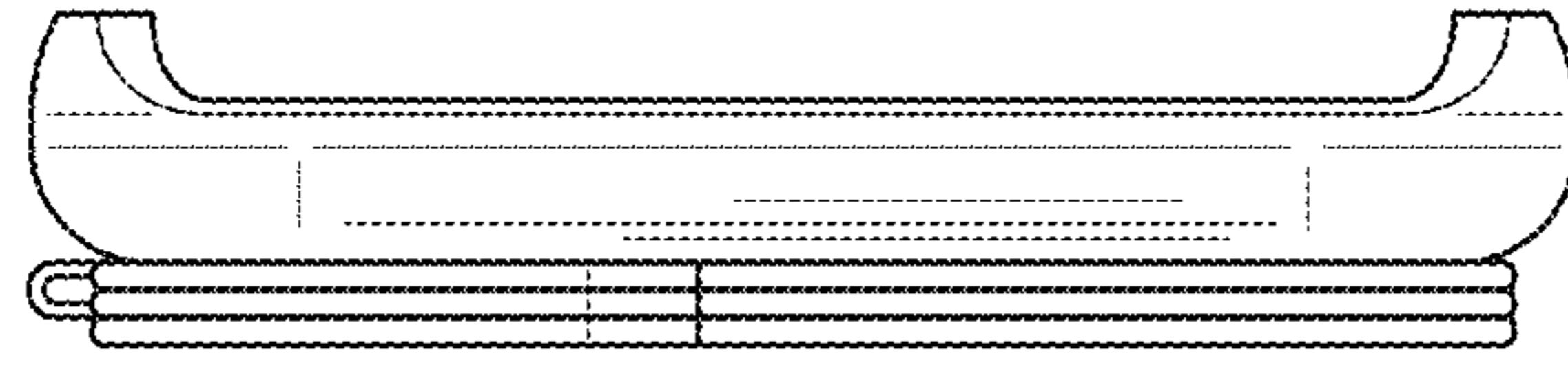


FIG. 15

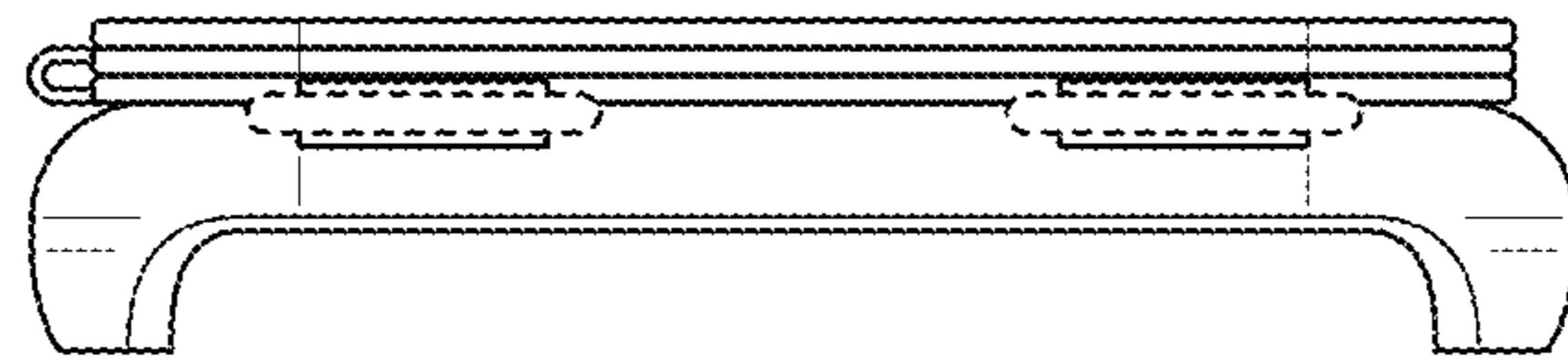


FIG. 16

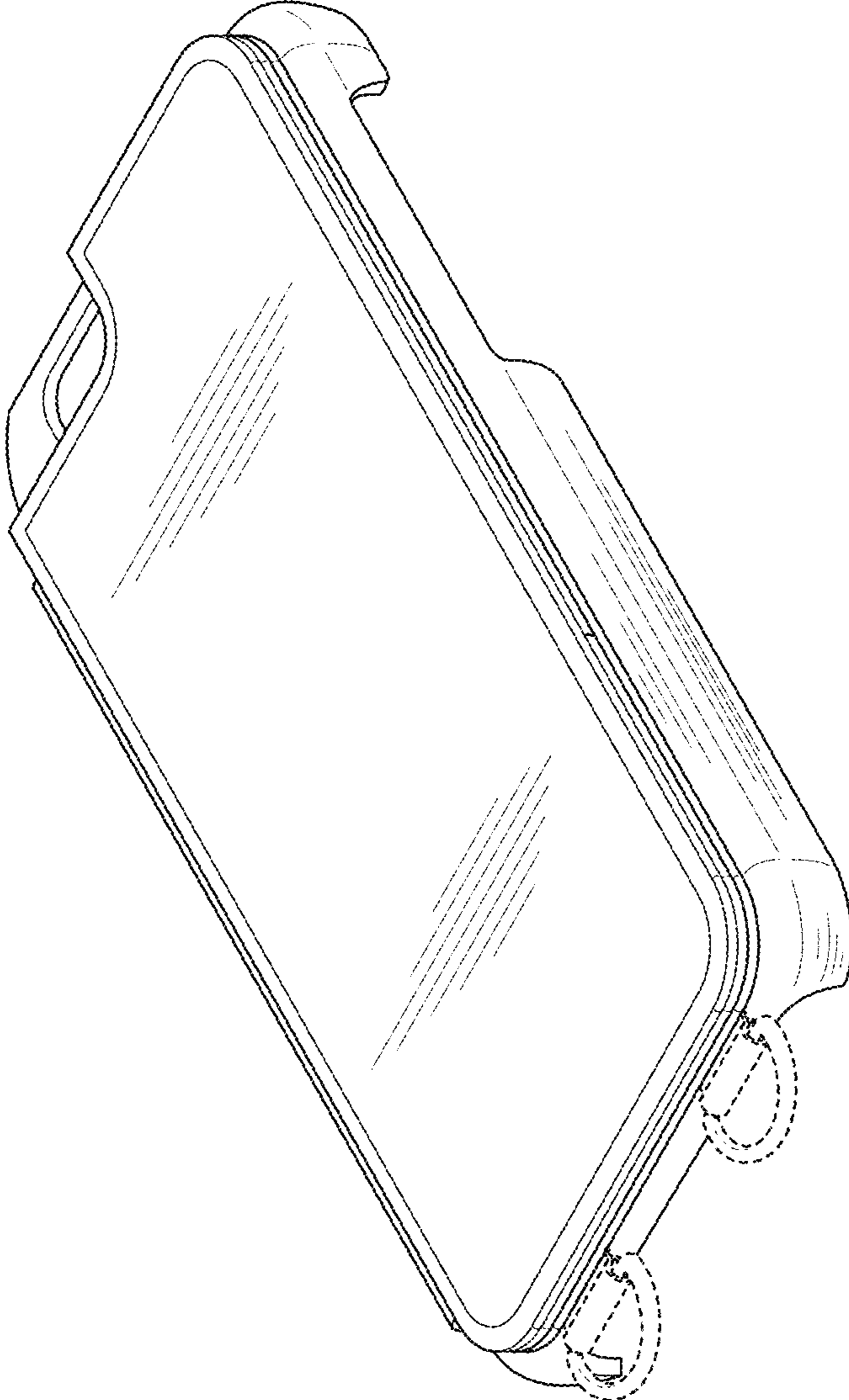


FIG. 17

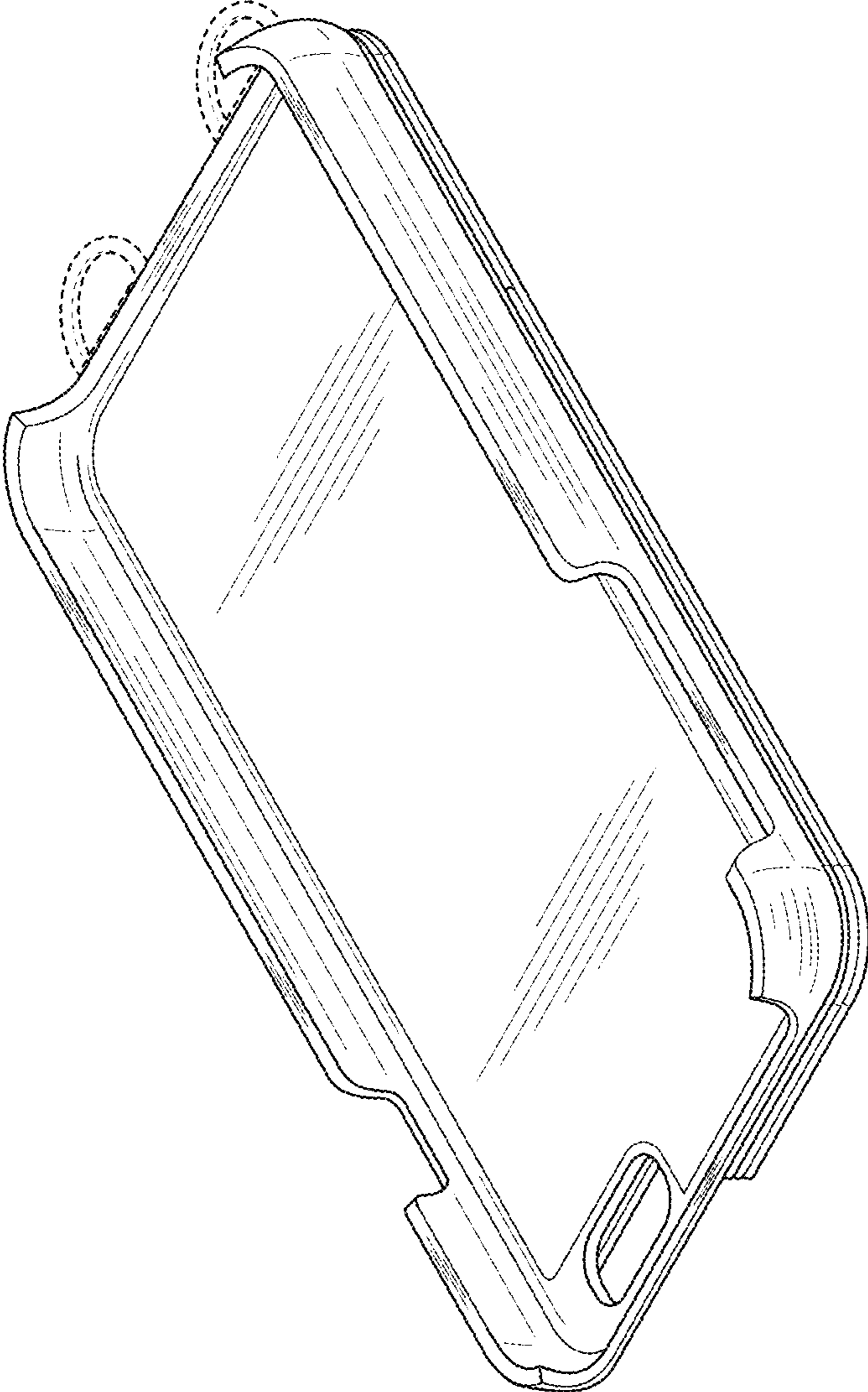


FIG. 18

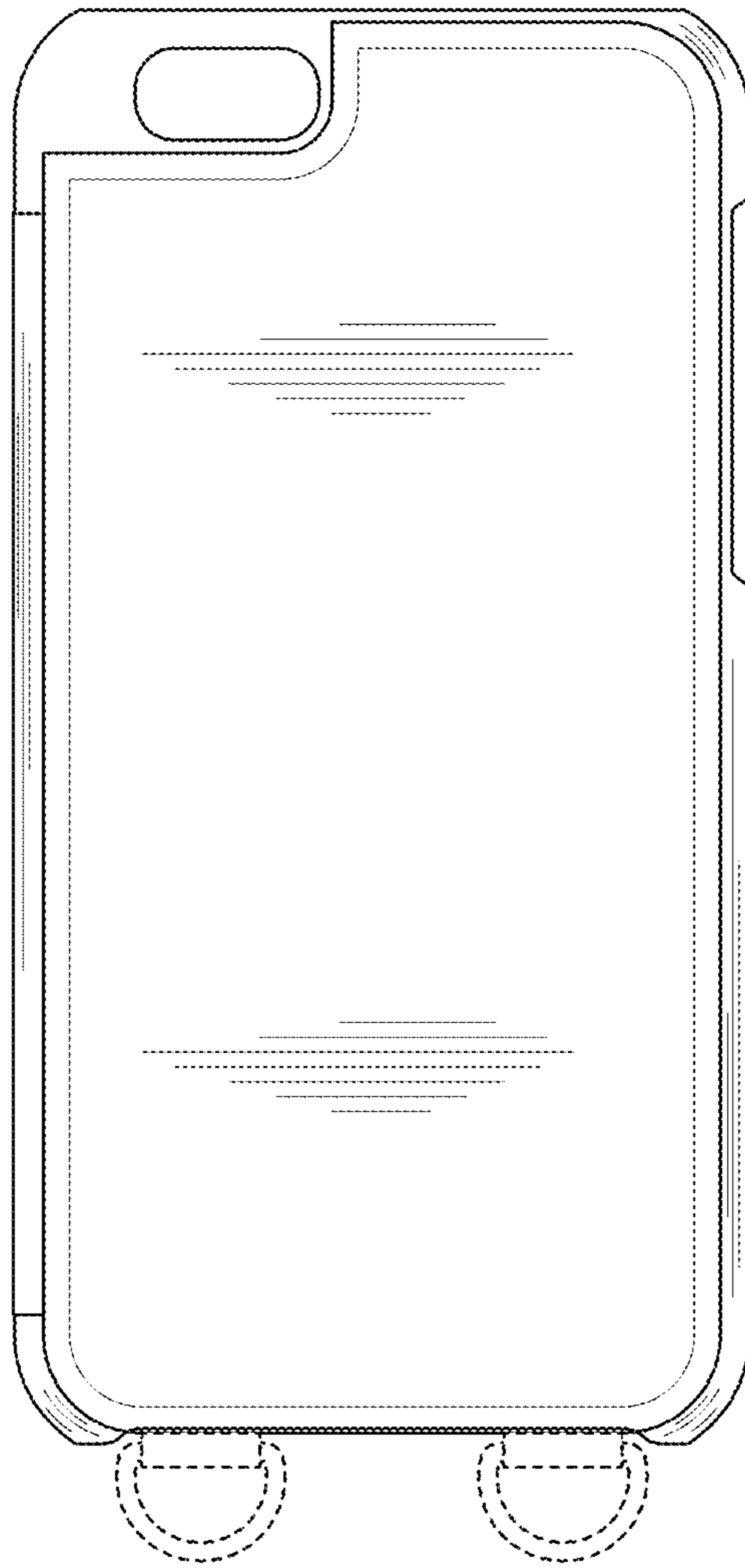


FIG. 19

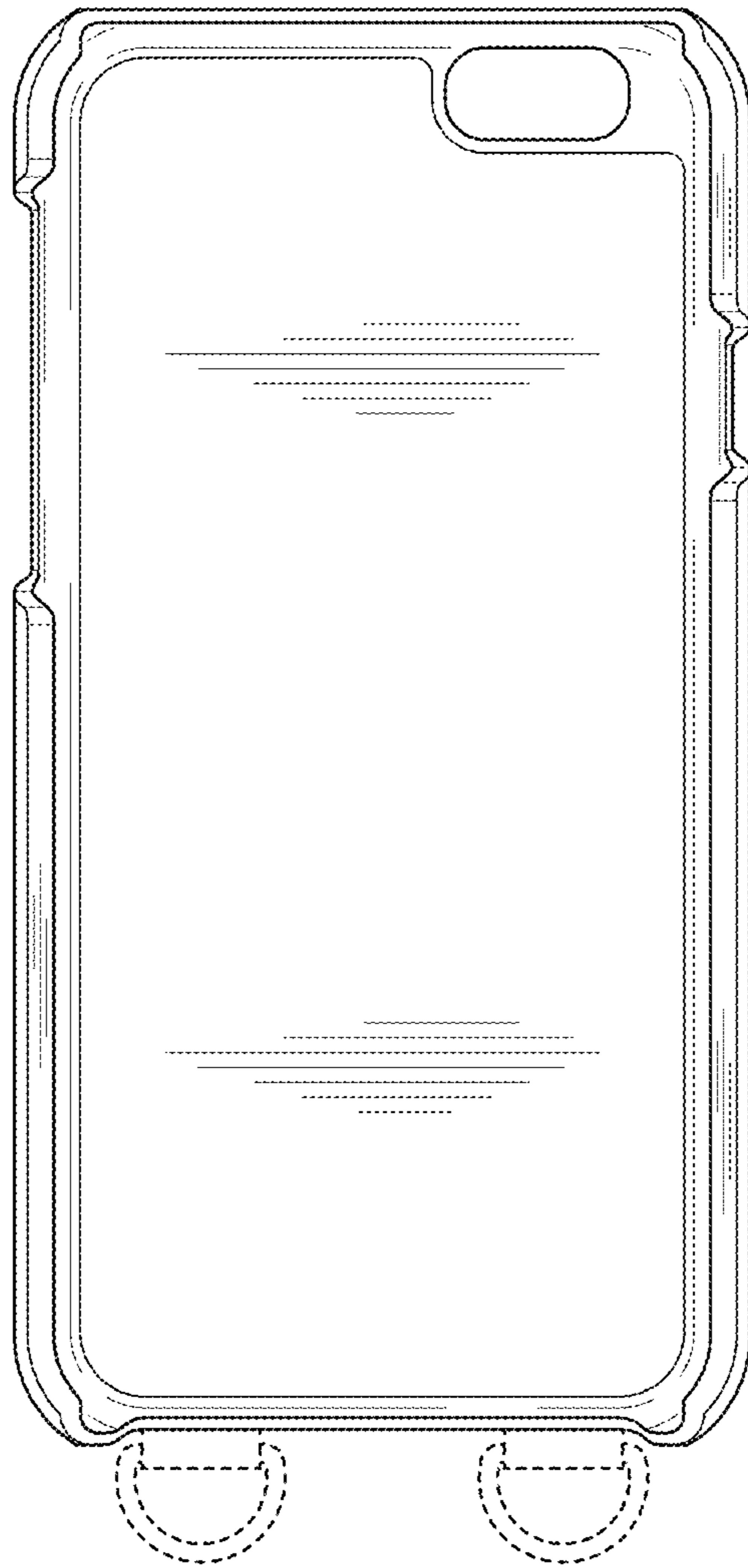


FIG. 20

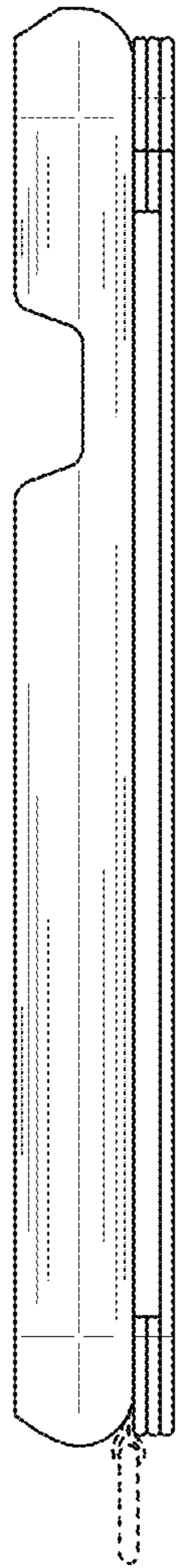


FIG. 21

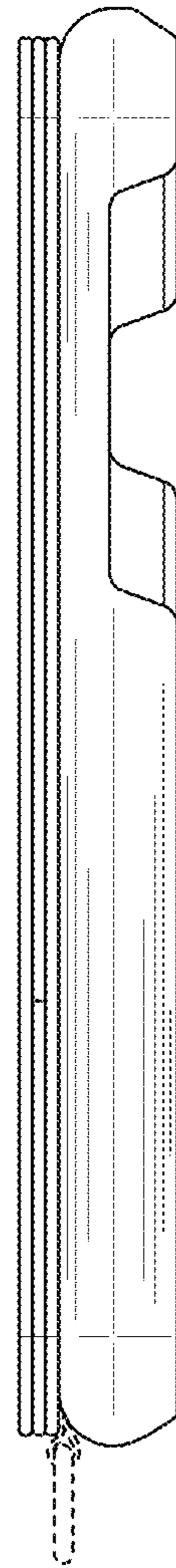


FIG. 22

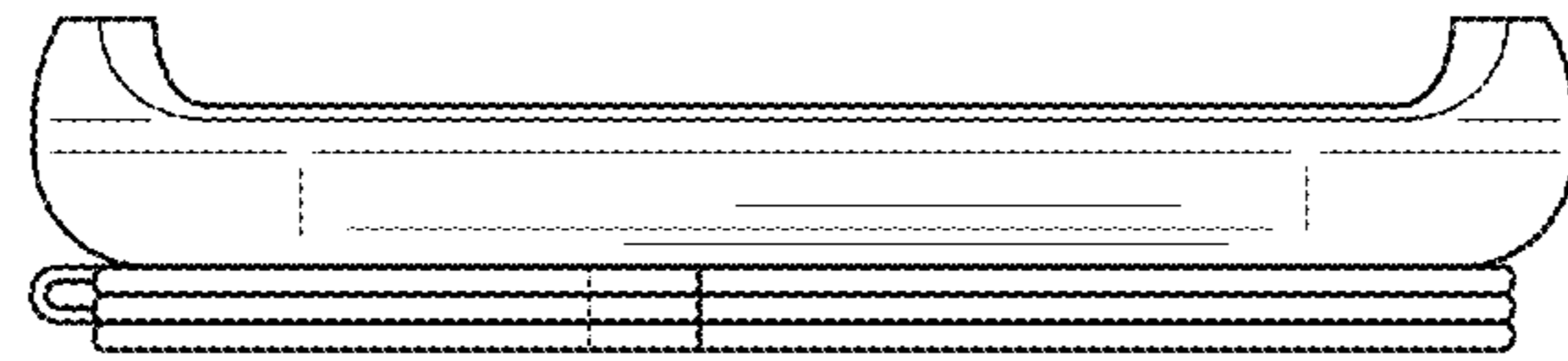


FIG. 23

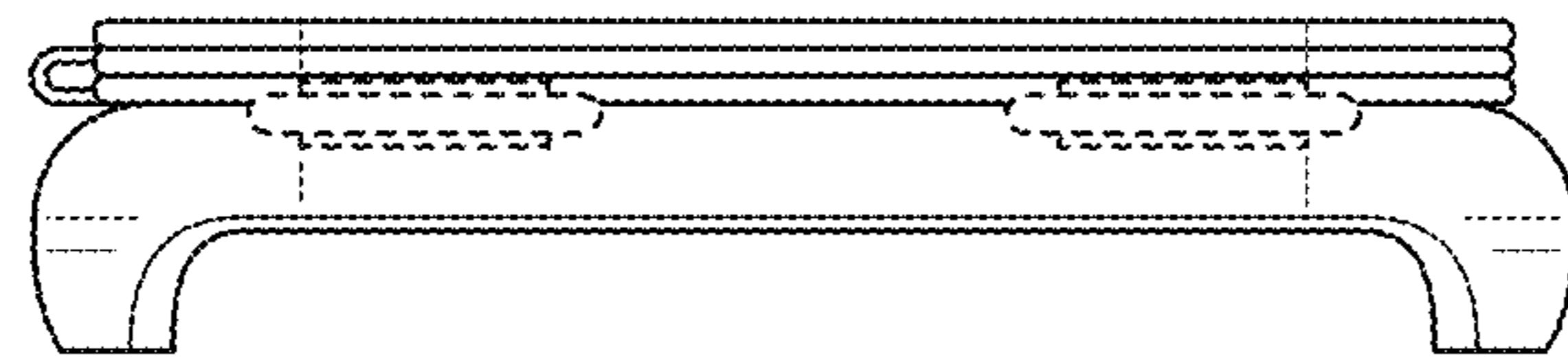


FIG. 24