



US00D839248S

(12) **United States Design Patent** (10) **Patent No.:** **US D839,248 S**  
**Hwang et al.** (45) **Date of Patent:** **\*\* Jan. 29, 2019**

(54) **STAND FOR TELEVISION RECEIVER**

11/04; F16M 11/043; F16M 11/10; F16M 13/00; H04M 1/04; H04M 1/06

(71) Applicant: **LG ELECTRONICS INC.**, Seoul (KR)

See application file for complete search history.

(72) Inventors: **Bodeung Hwang**, Seoul (KR); **Sangho Lee**, Seoul (KR); **Yongseok Kim**, Seoul (KR); **Junghyun Min**, Seoul (KR)

(56) **References Cited**

U.S. PATENT DOCUMENTS

|          |   |   |         |        |       |         |
|----------|---|---|---------|--------|-------|---------|
| D624,062 | S | * | 9/2010  | Kasuga | ..... | D14/239 |
| D624,063 | S | * | 9/2010  | Kasuga | ..... | D14/239 |
| D624,894 | S | * | 10/2010 | Kasuga | ..... | D14/126 |
| D624,895 | S | * | 10/2010 | Kasuga | ..... | D14/126 |
| D625,302 | S | * | 10/2010 | Kasuga | ..... | D14/239 |
| D671,083 | S | * | 11/2012 | Kim    | ..... | D14/126 |
| D682,271 | S | * | 5/2013  | Kim    | ..... | D14/374 |

(Continued)

(73) Assignee: **LG Electronics Inc.**, Seoul (KR)

(\*\*) Term: **15 Years**

(21) Appl. No.: **35/504,285**

(22) Filed: **Jul. 4, 2017**

OTHER PUBLICATIONS

ThinkCentre Tiny in One Single Monitor Stand, no date available, [online], [site visited Oct. 18, 2018]. Retrieved from url:https://www.lenovo.com/us/en/accessories-and-monitors/stands-arms-and-mounts/stands/MECH-BO-TIO-single-monitor-stand/p/4XF0L72015 (Year: 2018).\*

(80) **Hague Agreement Data**

Int. Filing Date: **Jul. 4, 2017**

Int. Reg. No.: **DM/096853**

Int. Reg. Date: **Jul. 4, 2017**

Int. Reg. Pub. Date: **Jan. 5, 2018**

*Primary Examiner* — Jeffrey D Asch

*Assistant Examiner* — Tracey J Bell

(30) **Foreign Application Priority Data**

Jan. 9, 2017 (KR) ..... 30-2017-0001173

(74) *Attorney, Agent, or Firm* — Birch, Stewart, Kolasch & Birch, LLP

(51) **LOC (11) Cl.** ..... **14-03**

(52) **U.S. Cl.**  
USPC ..... **D14/239**

(57) **CLAIM**

The ornamental design for a stand for television receiver, as shown and described.

(58) **Field of Classification Search**

USPC ..... D14/125-134, 239, 314-316, 322, 326, D14/334-336, 339-341, 371, 373-374, D14/448, 450, 214, 451, 251-253, 447, D14/434, 432, 439, 142, 217, 209-209.1, D14/229; D21/329, 322, 515; D6/300, D6/310, 314, 320, 322, 553, 525, 672, D6/407, 567, 701, 542; D8/349; D20/41, 42; D10/26

CPC ..... G06F 1/16; G06F 1/1601; G06F 1/1637; G06F 1/1643; H04N 5/64; H05K 5/0204; H05K 5/0017; H05K 5/0217; H05K 5/0004; H05K 5/02; F16M 11/00; F16M

**DESCRIPTION**

1. Stand for television receiver

1.1 : Perspective

1.2 : Front

1.3 : Back

1.4 : Left

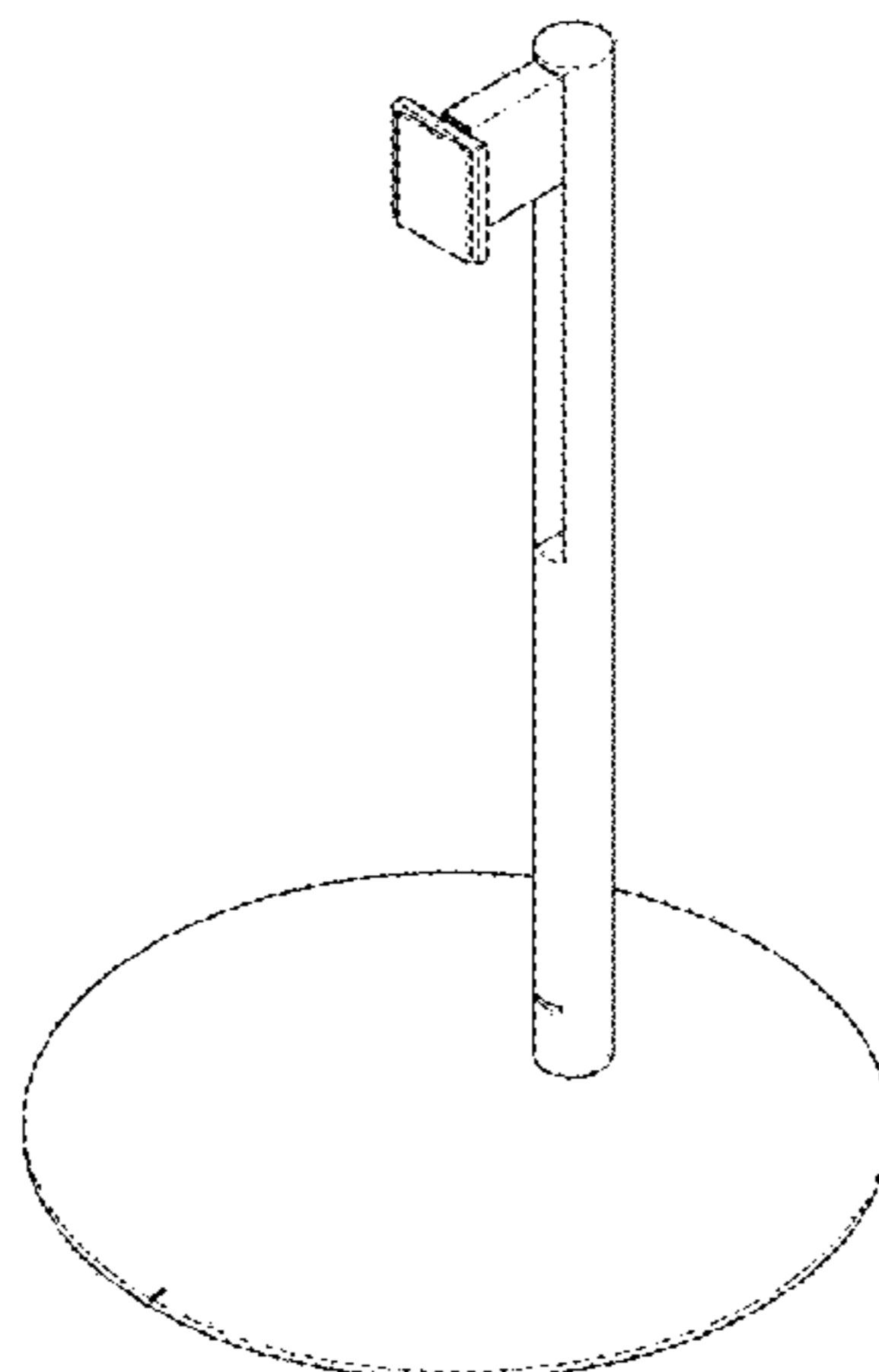
1.5 : Right

1.6 : Top

1.7 : Bottom

1.8 : Reference

(Continued)



The broken lines indicate portions of the article that form no part of the claimed design.

**1 Claim, 8 Drawing Sheets**

(56)

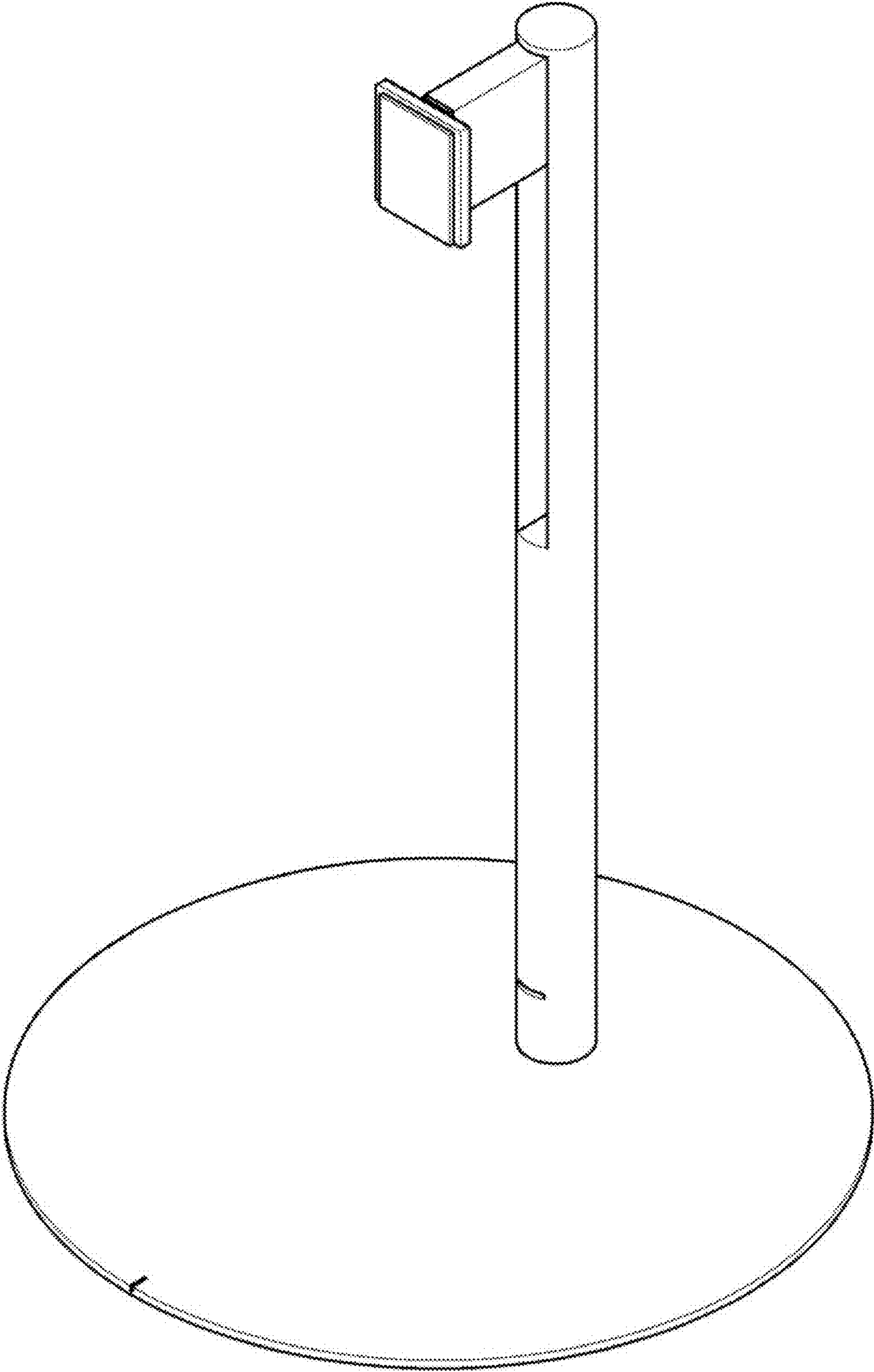
**References Cited**

U.S. PATENT DOCUMENTS

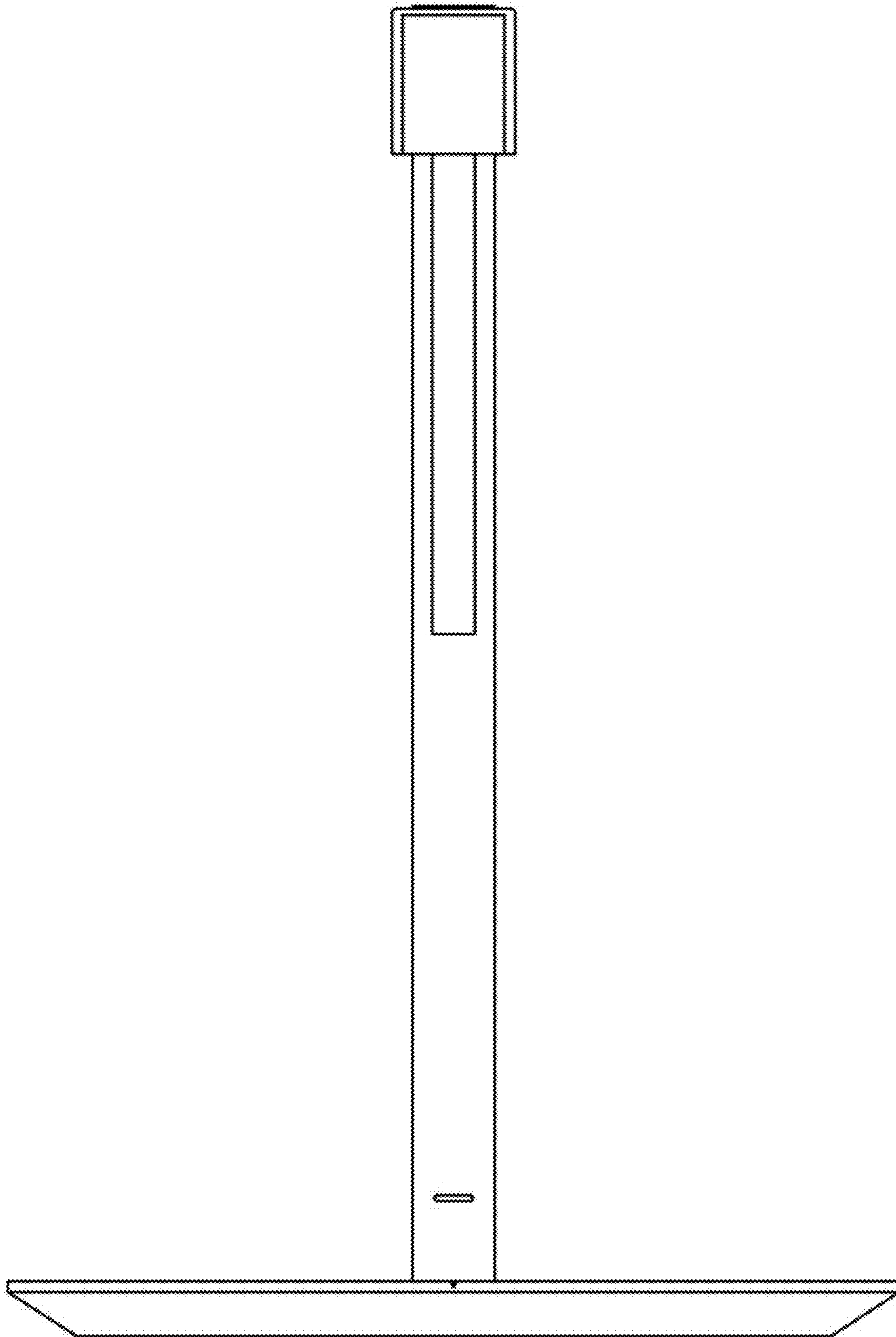
|                   |         |                 |                           |
|-------------------|---------|-----------------|---------------------------|
| D716,764 S *      | 11/2014 | Jeon .....      | D14/209.1                 |
| D826,887 S *      | 8/2018  | Kymm .....      | D14/126                   |
| 2008/0297591 A1 * | 12/2008 | Aarts .....     | G06F 1/1601<br>348/51     |
| 2013/0292527 A1 * | 11/2013 | Mochizuki ..... | F16M 11/10<br>248/161     |
| 2013/0335644 A1 * | 12/2013 | Horii .....     | H04N 5/64<br>348/836      |
| 2013/0335897 A1 * | 12/2013 | Mochizuki ..... | G06F 1/1601<br>361/679.01 |

\* cited by examiner

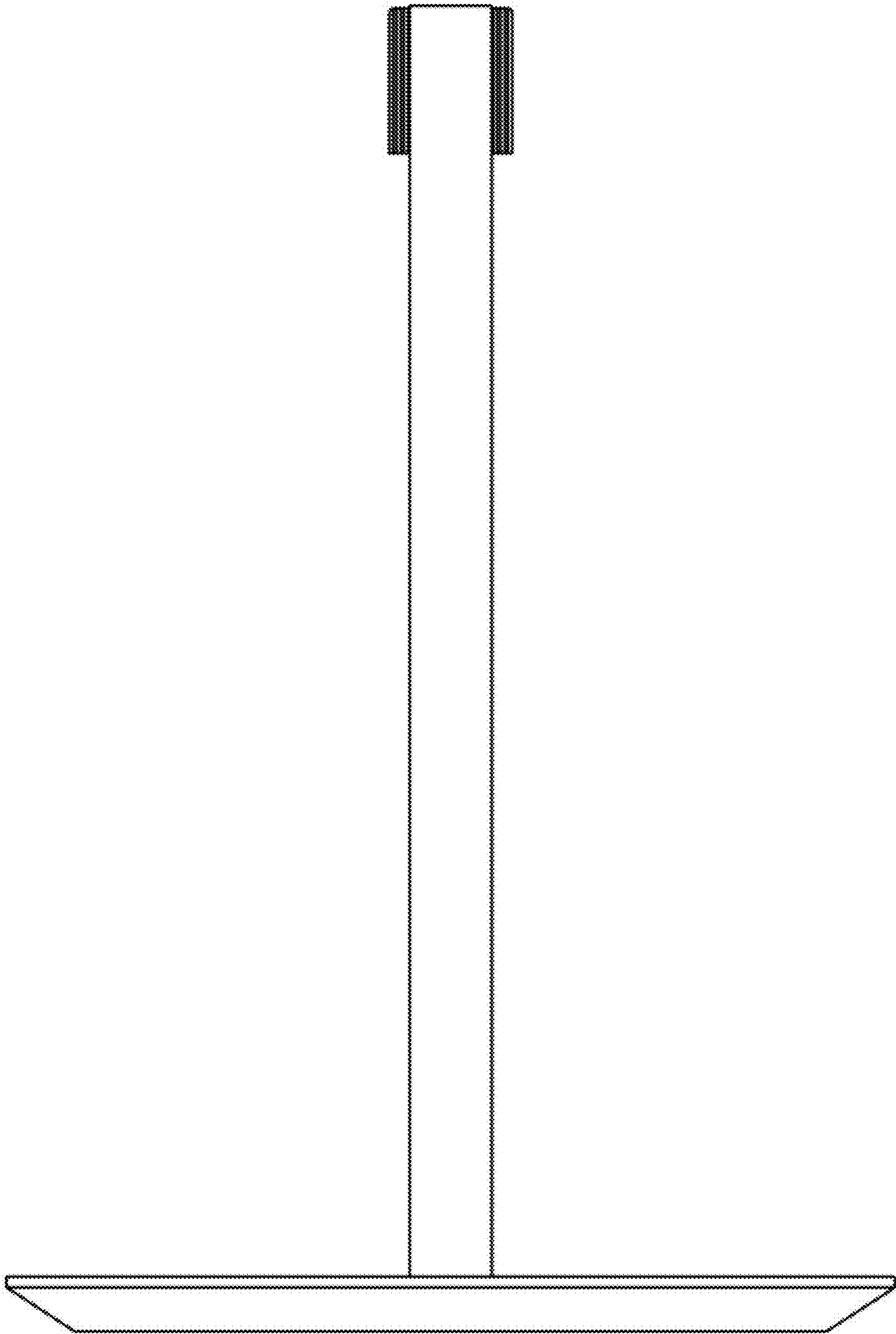
1.1



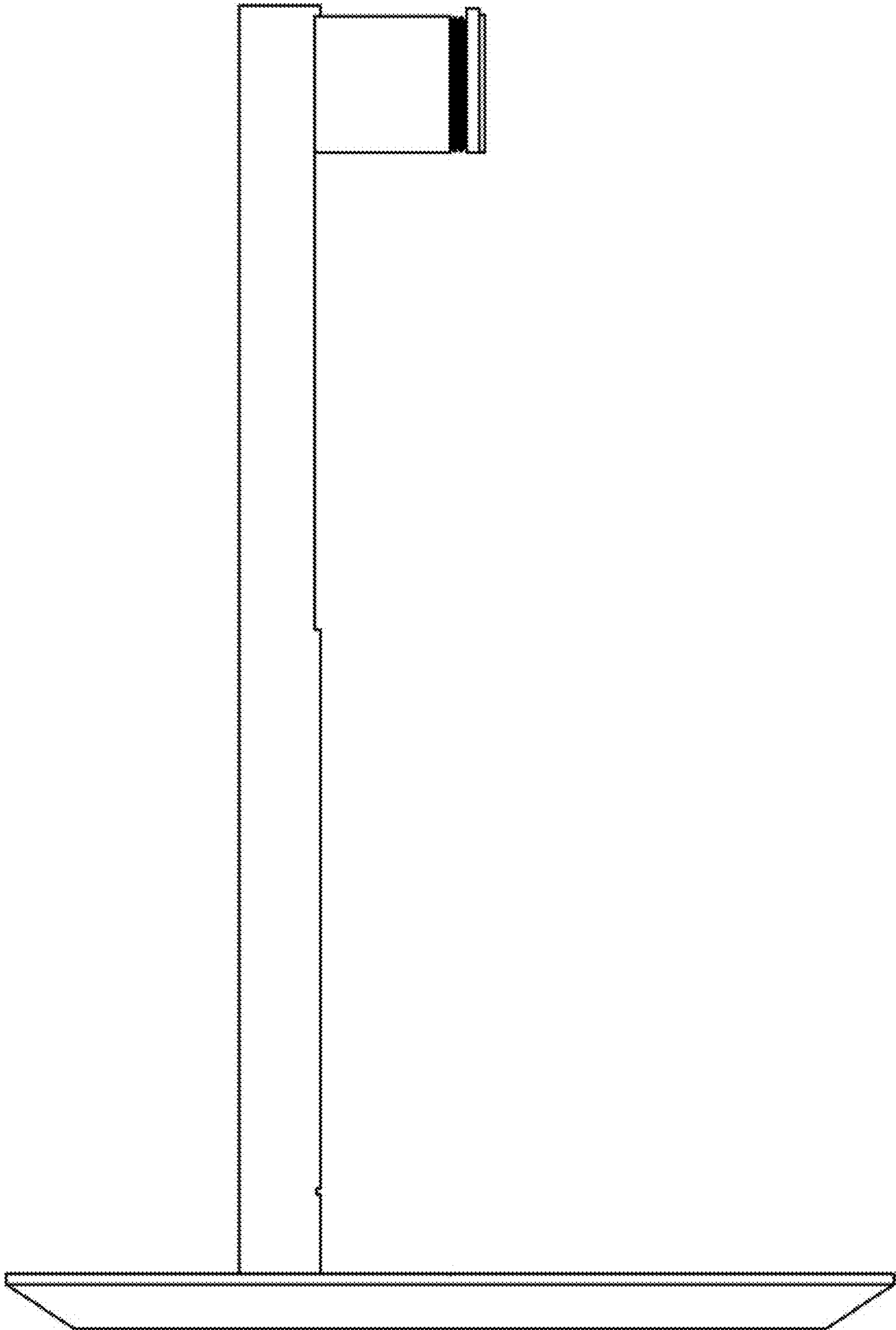
1.2



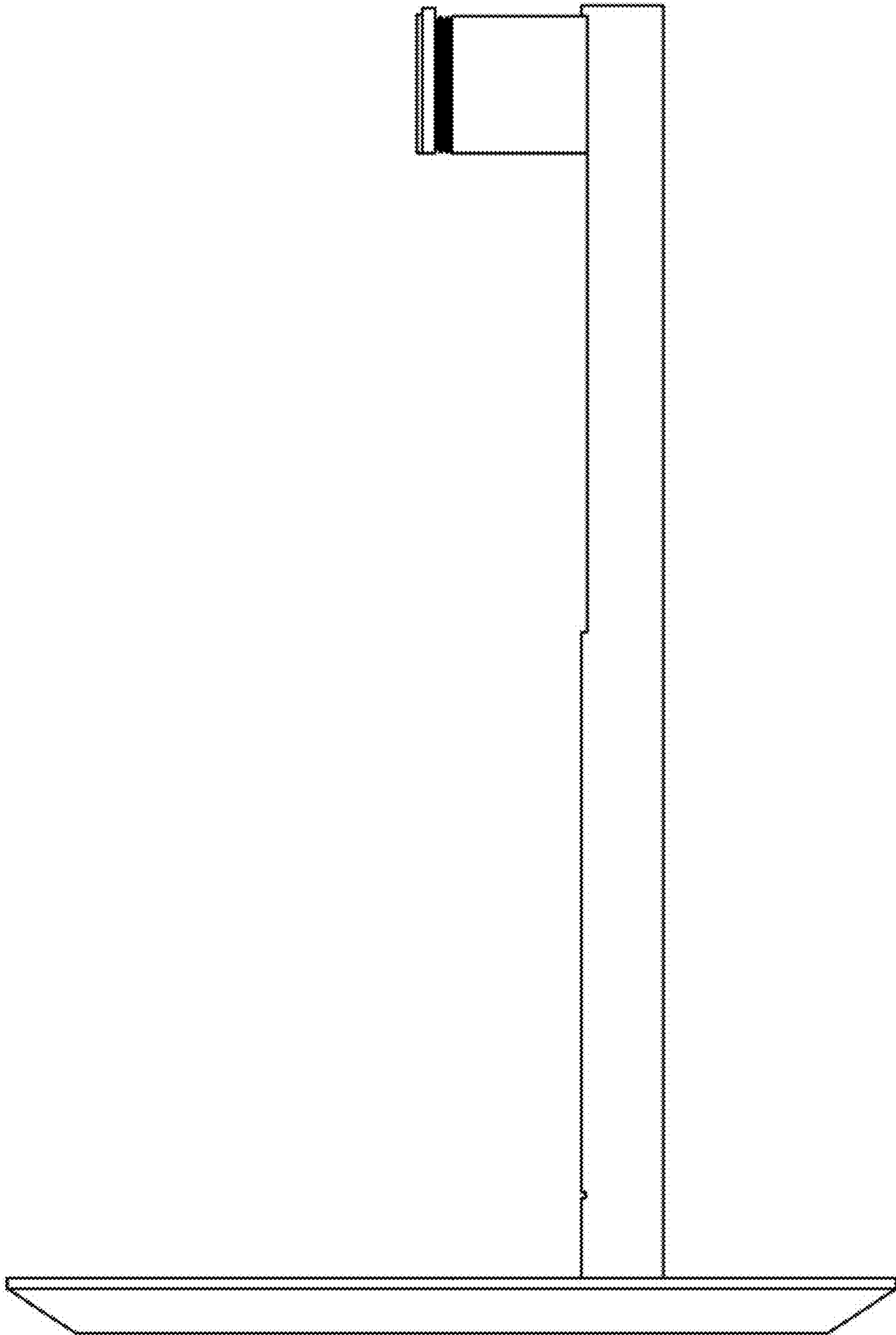
1.3



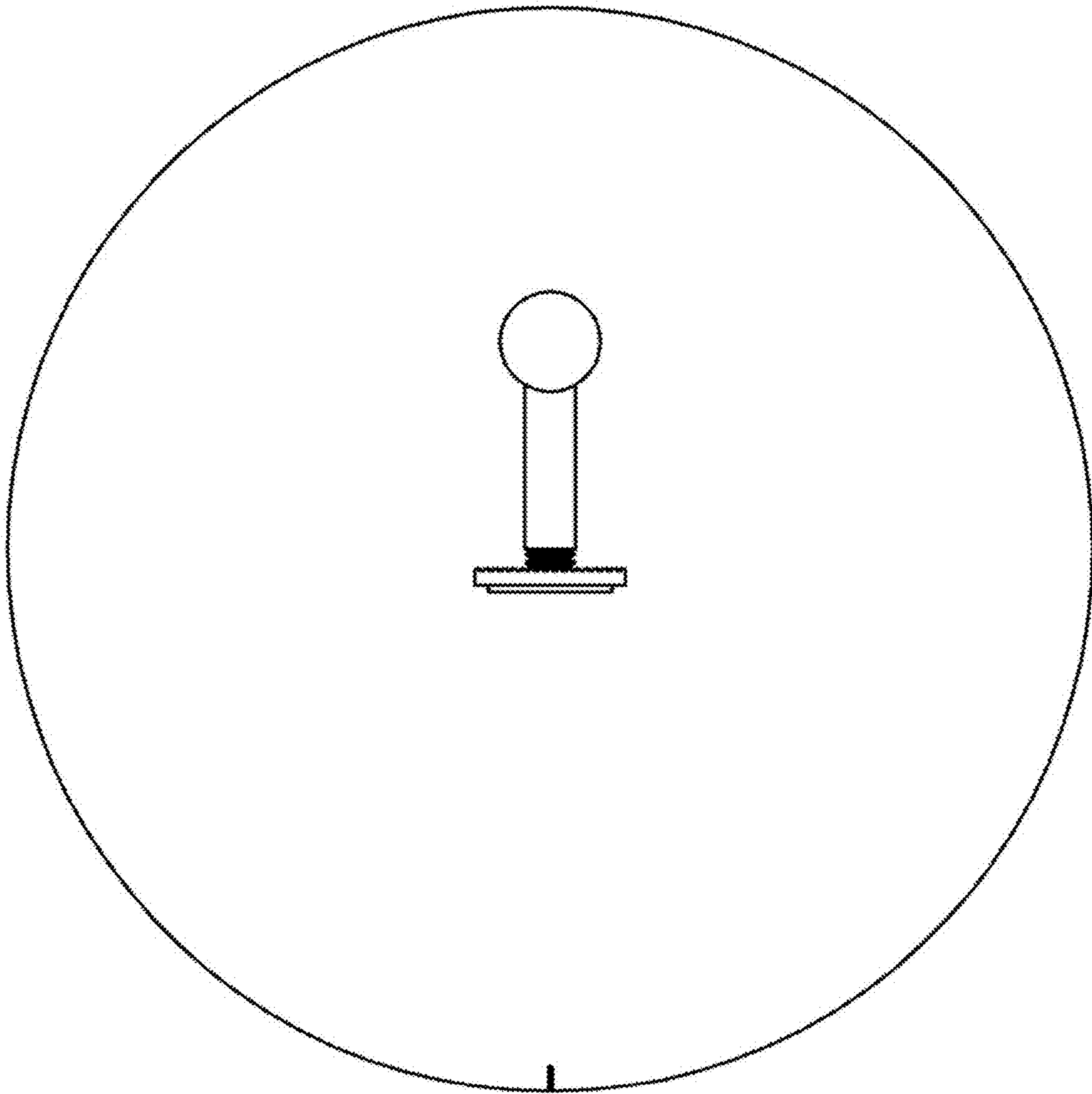
1.4



1.5

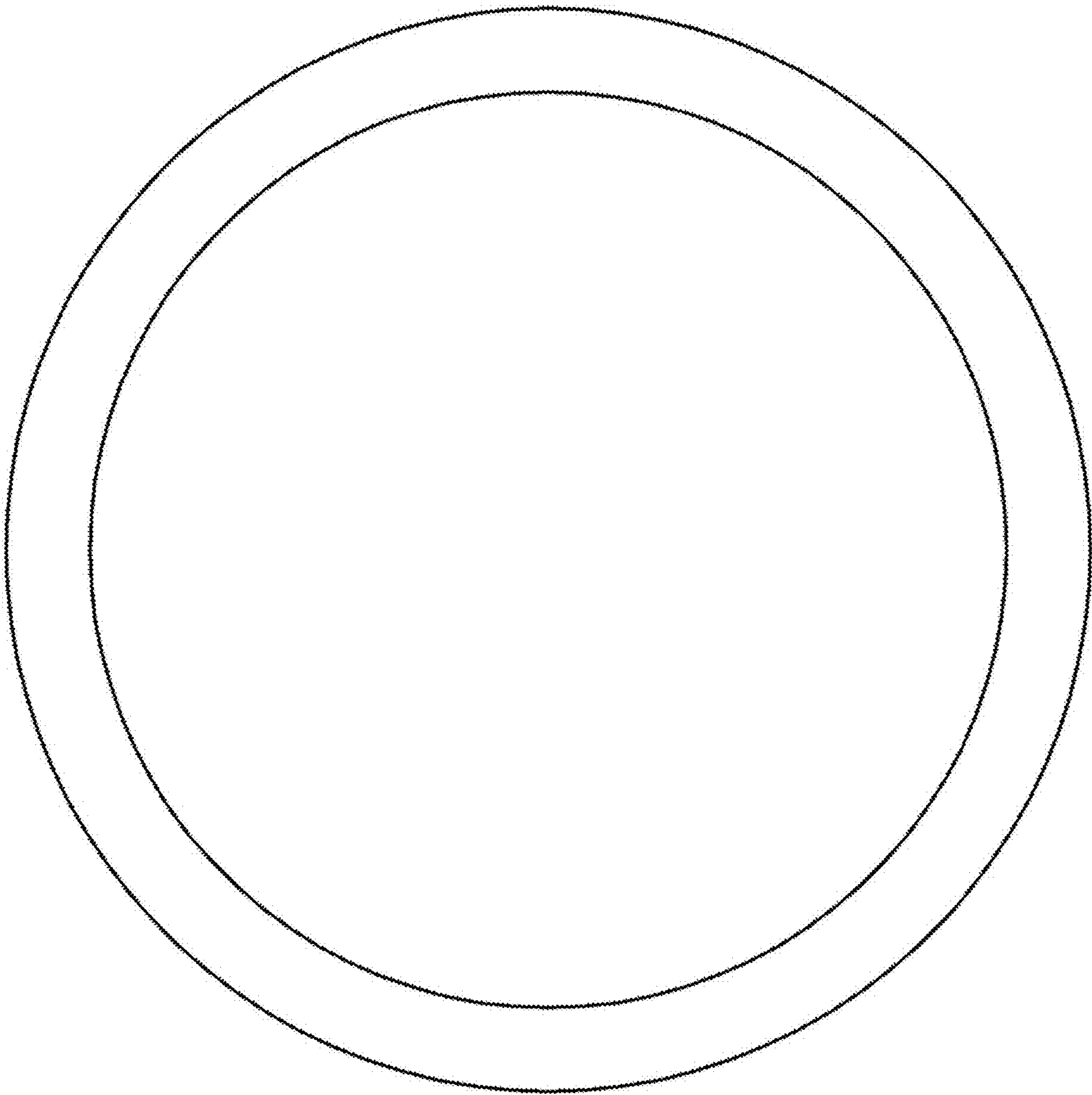


1.6





1.7



1.8

