



US00D839247S

(12) **United States Design Patent**
Neal et al.

(10) **Patent No.:** **US D839,247 S**
(45) **Date of Patent:** **** Jan. 29, 2019**

- (54) **ANTENNA MOUNT**
- (71) Applicant: **Neal Technologies Inc.**, Mesa, AZ (US)
- (72) Inventors: **Kennieth Neal**, Mesa, AZ (US); **James Cunningham**, Mesa, AZ (US); **Brian Kelley Cowen**, Mesa, AZ (US)
- (73) Assignee: **Neal Technologies, Inc.**, Mesa, AZ (US)
- (**) Term: **15 Years**
- (21) Appl. No.: **29/637,632**
- (22) Filed: **Feb. 20, 2018**
- (51) **LOC (11) Cl.** **14-03**
- (52) **U.S. Cl.**
USPC **D14/238**
- (58) **Field of Classification Search**
USPC ... D14/230.1, 203.3, 203.6, 230-238, 238.1, D14/204, 216, 221, 240, 242, 299, 314, D14/343, 496, 509; D12/223, 415, 420
CPC H01Q 1/12; H01Q 1/22; H01Q 1/007; H01Q 1/38; H01Q 7/00; H01Q 9/40; H01Q 9/285; H01Q 9/065; H01Q 9/44; H01Q 9/265; H01Q 19/10; H01Q 19/106; H01Q 19/12; H01Q 19/13; H01Q 19/15; H01Q 19/30; H01Q 21/28; H01Q 21/06; H01Q 21/062; H01Q 21/293; G05D 1/02; G05D 1/0234
See application file for complete search history.

(56) **References Cited**
U.S. PATENT DOCUMENTS

- D678,794 S * 3/2013 Eckert D10/106.9
- 9,403,476 B2 * 8/2016 Hausler B60Q 1/0041
- D770,069 S * 10/2016 Goltche D26/28
- D786,837 S * 5/2017 Tsen D14/230
- D796,710 S * 9/2017 Deyaf D26/28

- D797,327 S * 9/2017 Deyaf D26/28
 - D812,610 S * 3/2018 Varghese D14/371
 - D813,221 S * 3/2018 San S (Sundaran) D14/258
 - 10,090,583 B1 * 10/2018 Neal H01Q 1/3275
 - 2016/0223286 A1 * 8/2016 Storch F41C 23/16
- (Continued)

OTHER PUBLICATIONS

Third Brake Light Antenna Mount—Ram Trucks, online, no post date, <URL: <https://www.bulletproofdiesel.com/third-brake-light-antenna-mount-ram-truck-p/90201152.htm>>, retrieved Nov. 6, 2018.*

Primary Examiner — Jeffrey D Asch
Assistant Examiner — Rebekah A Caruso
(74) *Attorney, Agent, or Firm* — Hartman Titus PLC; John D. Titus

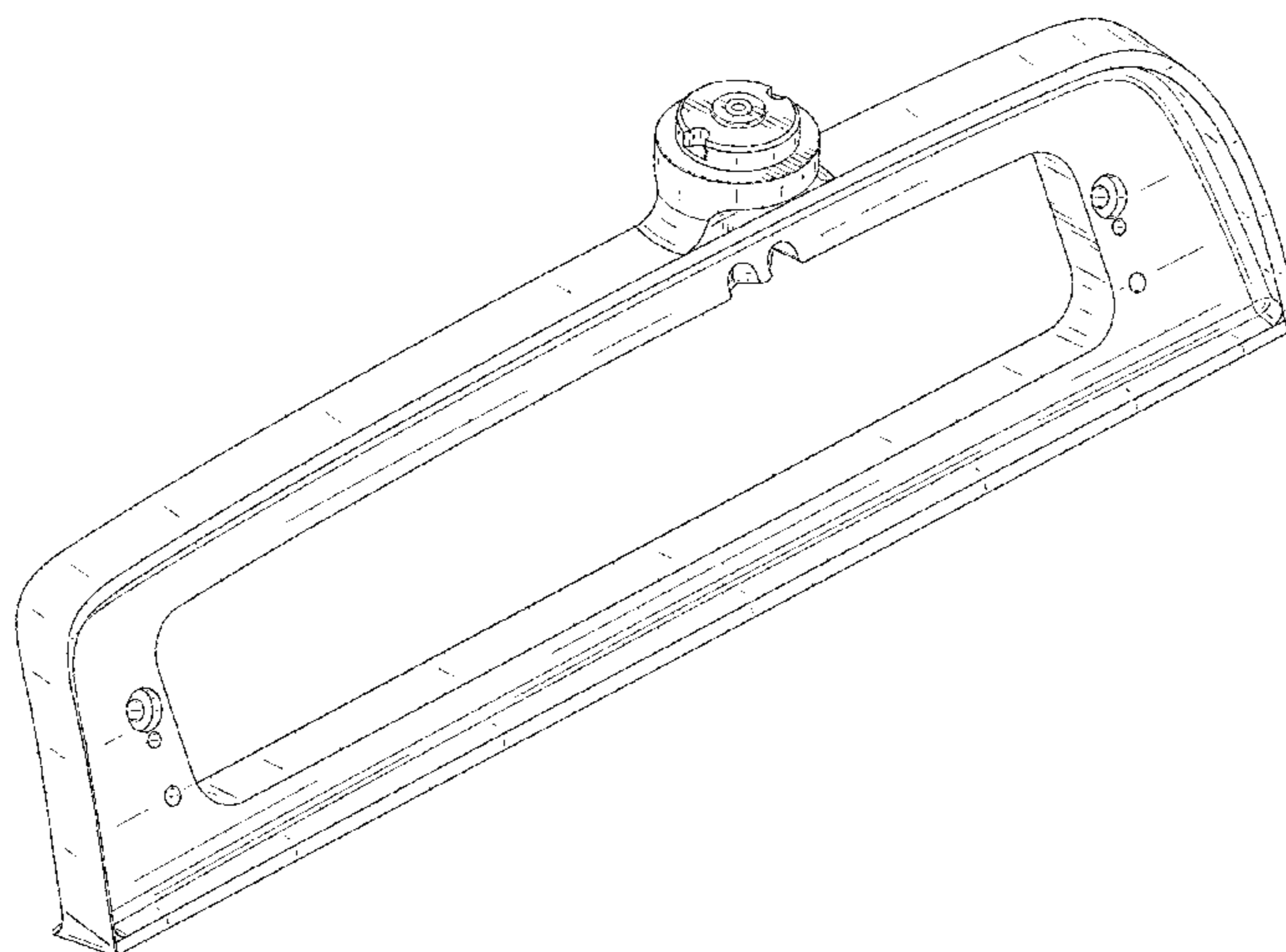
(57) **CLAIM**

The ornamental design for an antenna mount, as shown.

DESCRIPTION

FIG. 1 is a front perspective view of an antenna mount showing our new design;
FIG. 2 is a top perspective view of the antenna mount shown in FIG. 1;
FIG. 3 is a bottom perspective view of the antenna mount shown in FIG. 1;
FIG. 4 is a front view of the antenna mount shown in FIG. 1;
FIG. 5 is a rear view of the antenna mount shown in FIG. 1;
FIG. 6 is a right-side view of the antenna mount shown in FIG. 1;
FIG. 7 is a left-side view of the antenna mount shown in FIG. 1;
FIG. 8 is a top view of the antenna mount shown in FIG. 1; and,
FIG. 9 is a bottom view of the antenna mount shown in FIG. 1.

1 Claim, 6 Drawing Sheets



(56)

References Cited

U.S. PATENT DOCUMENTS

2016/0225268 A1* 8/2016 DeBusk H01Q 1/1207
2016/0238211 A1* 8/2016 Herbin

* cited by examiner

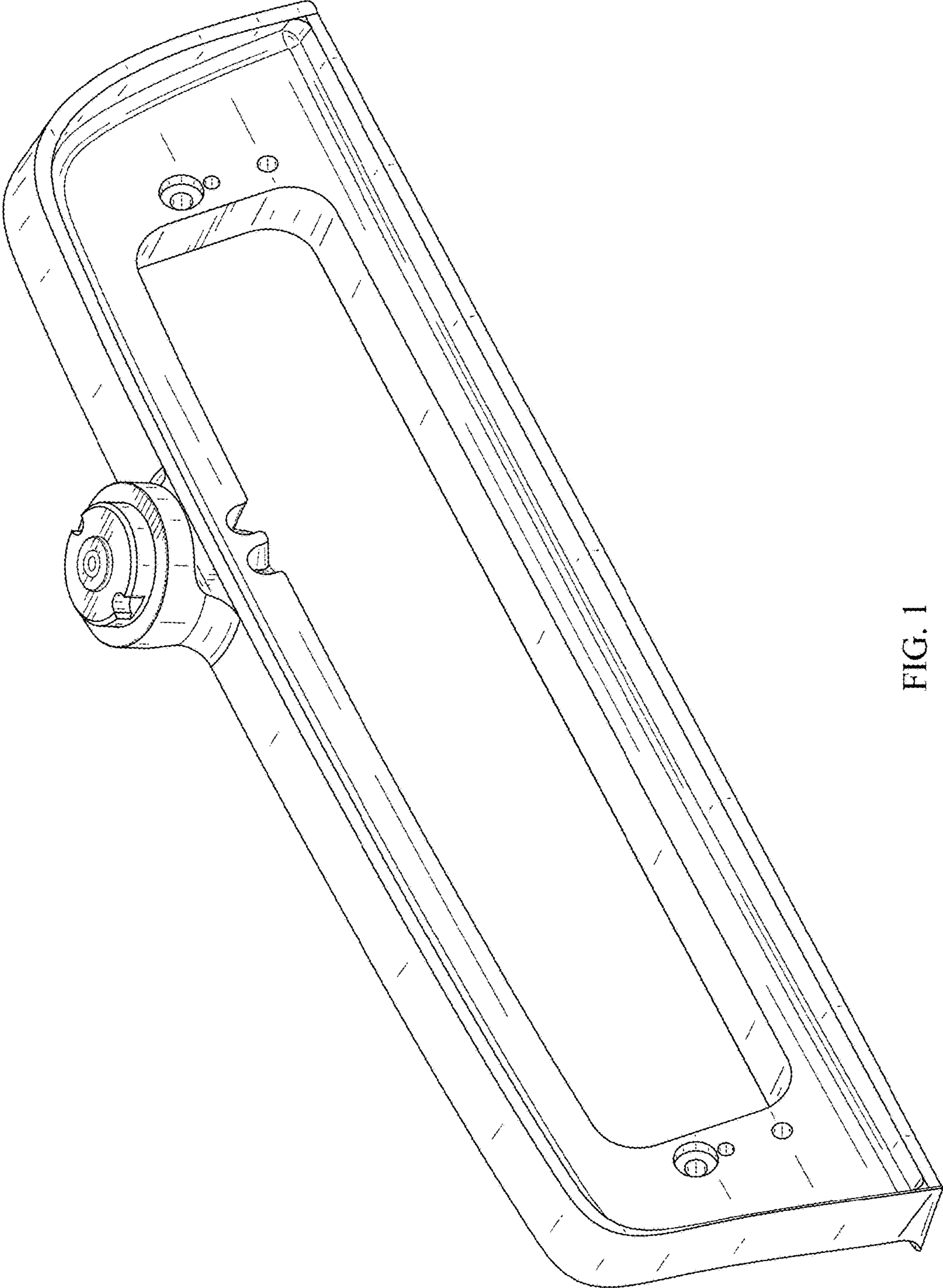


FIG. 1

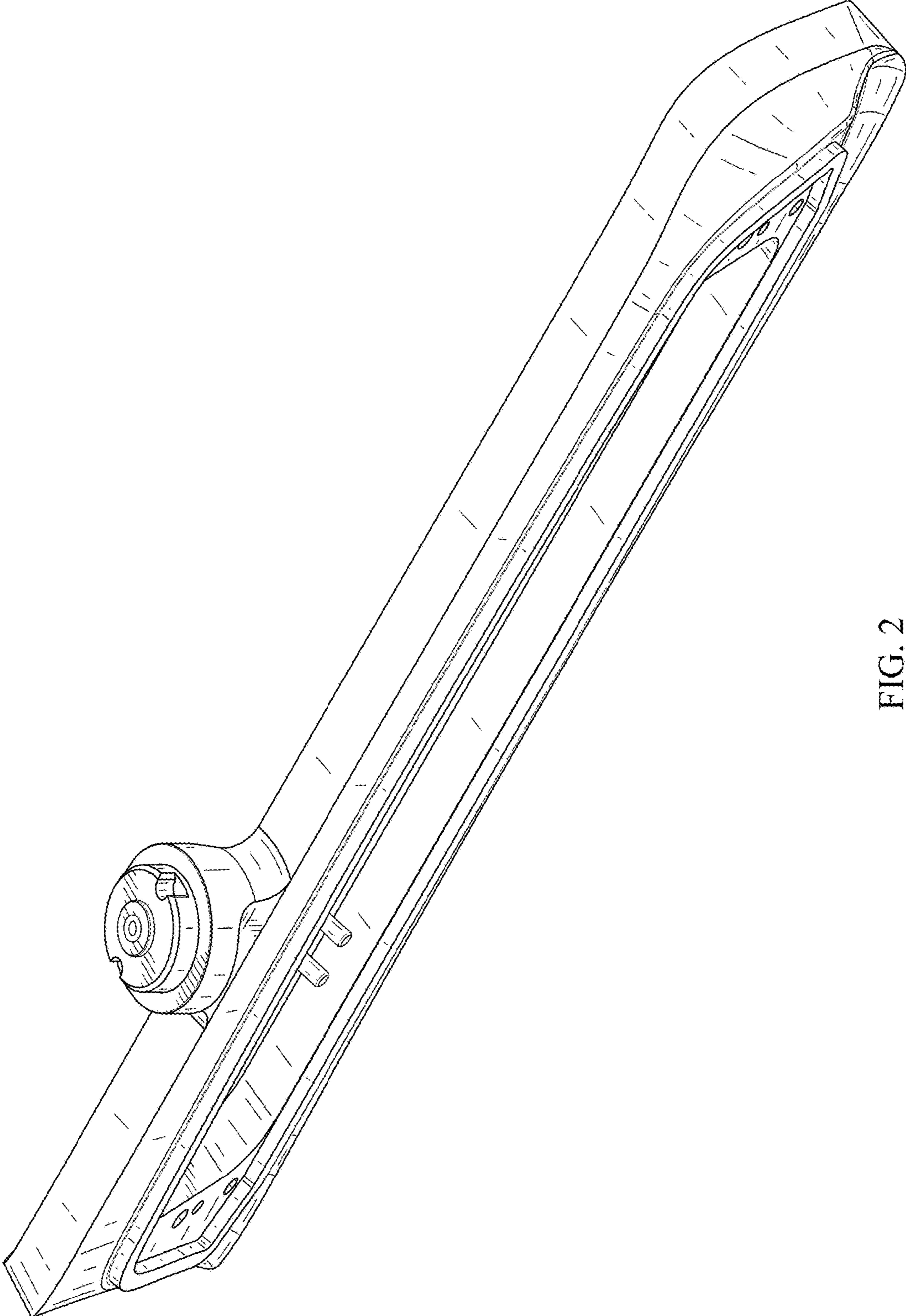


FIG. 2

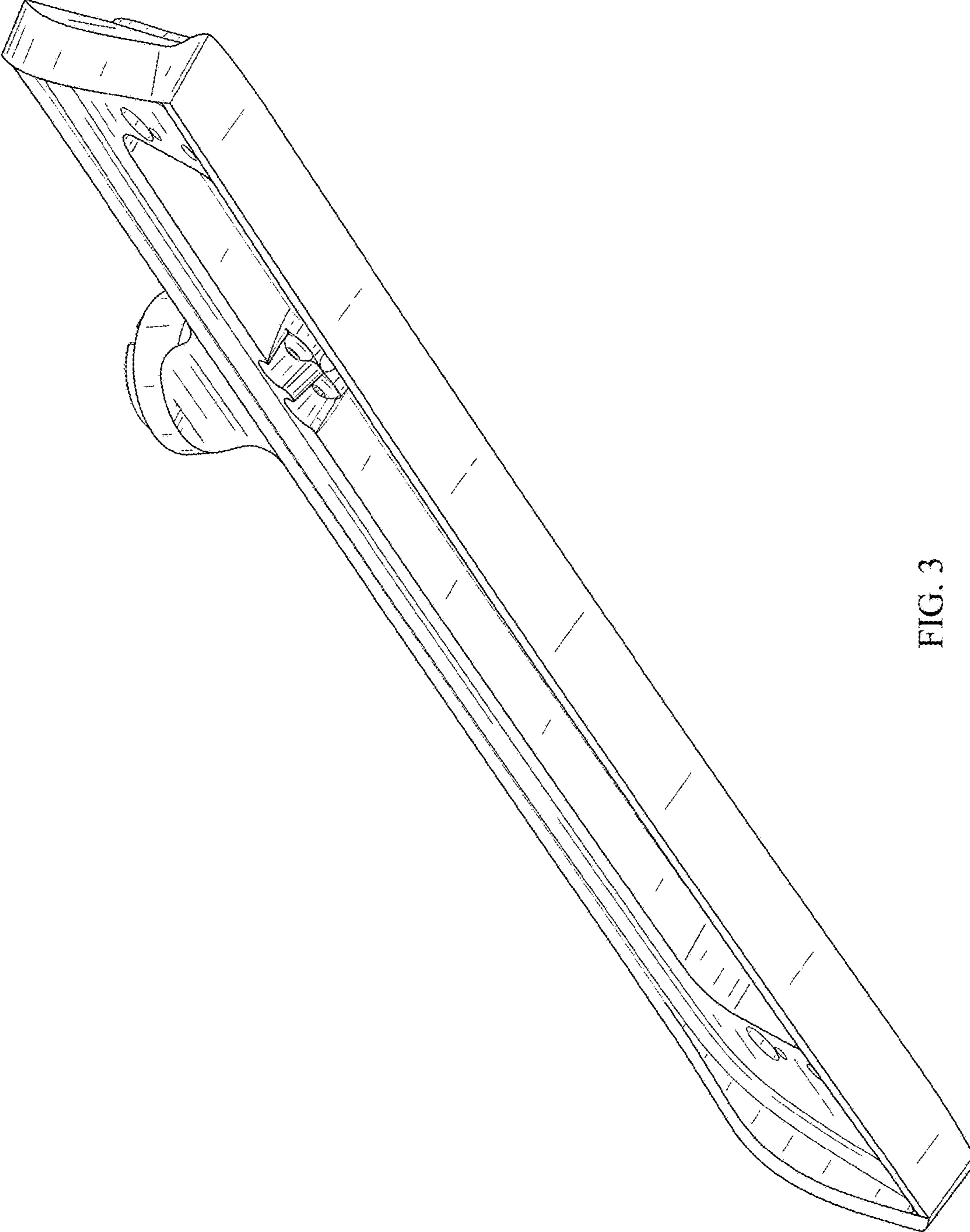


FIG. 3

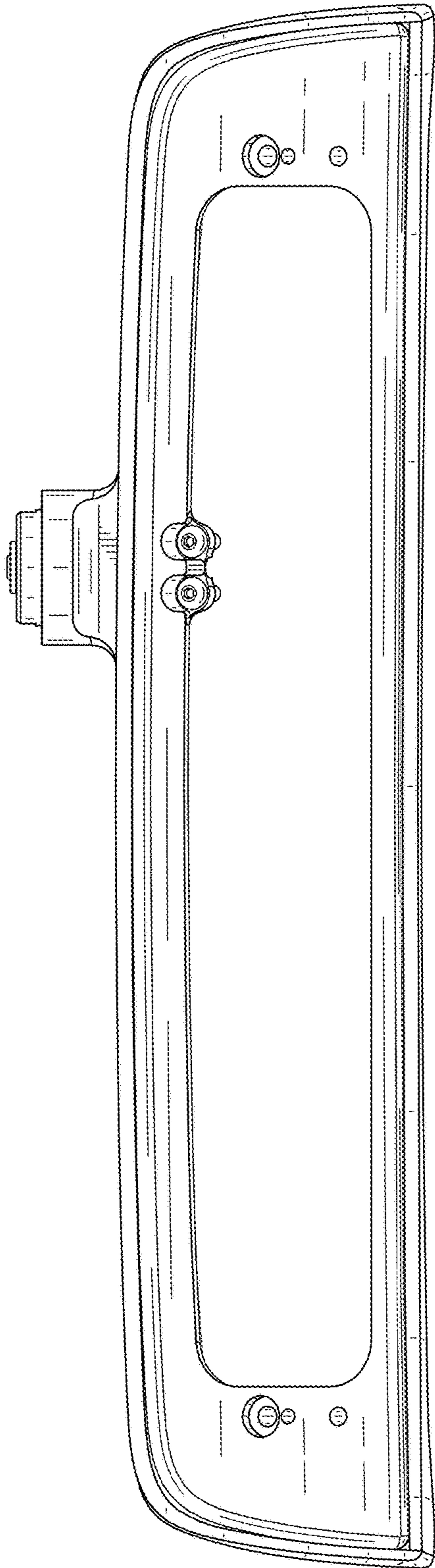


FIG. 4

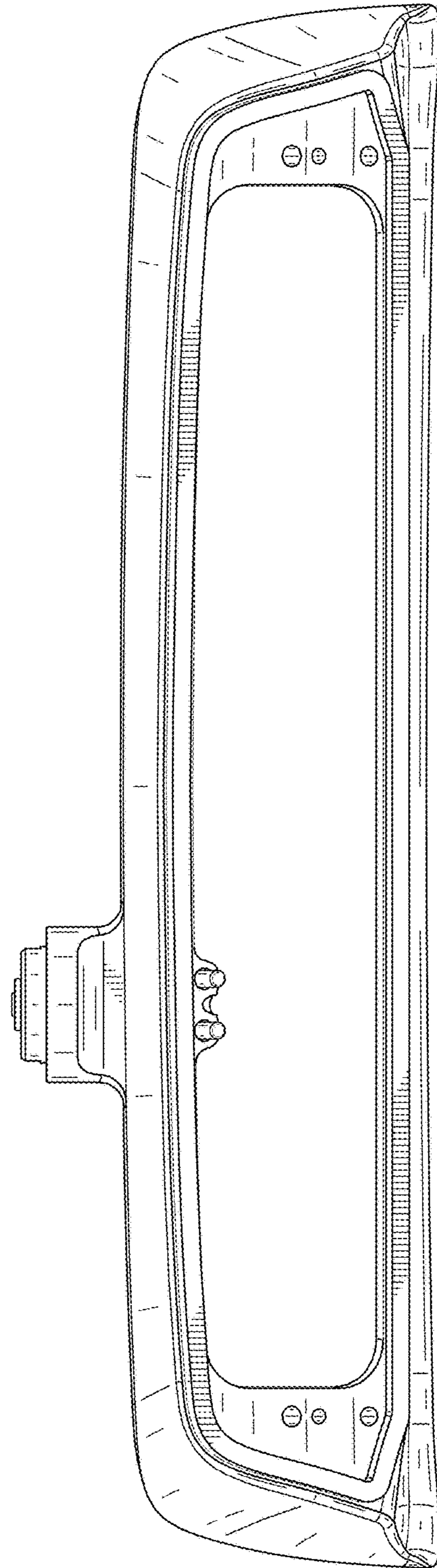


FIG. 5

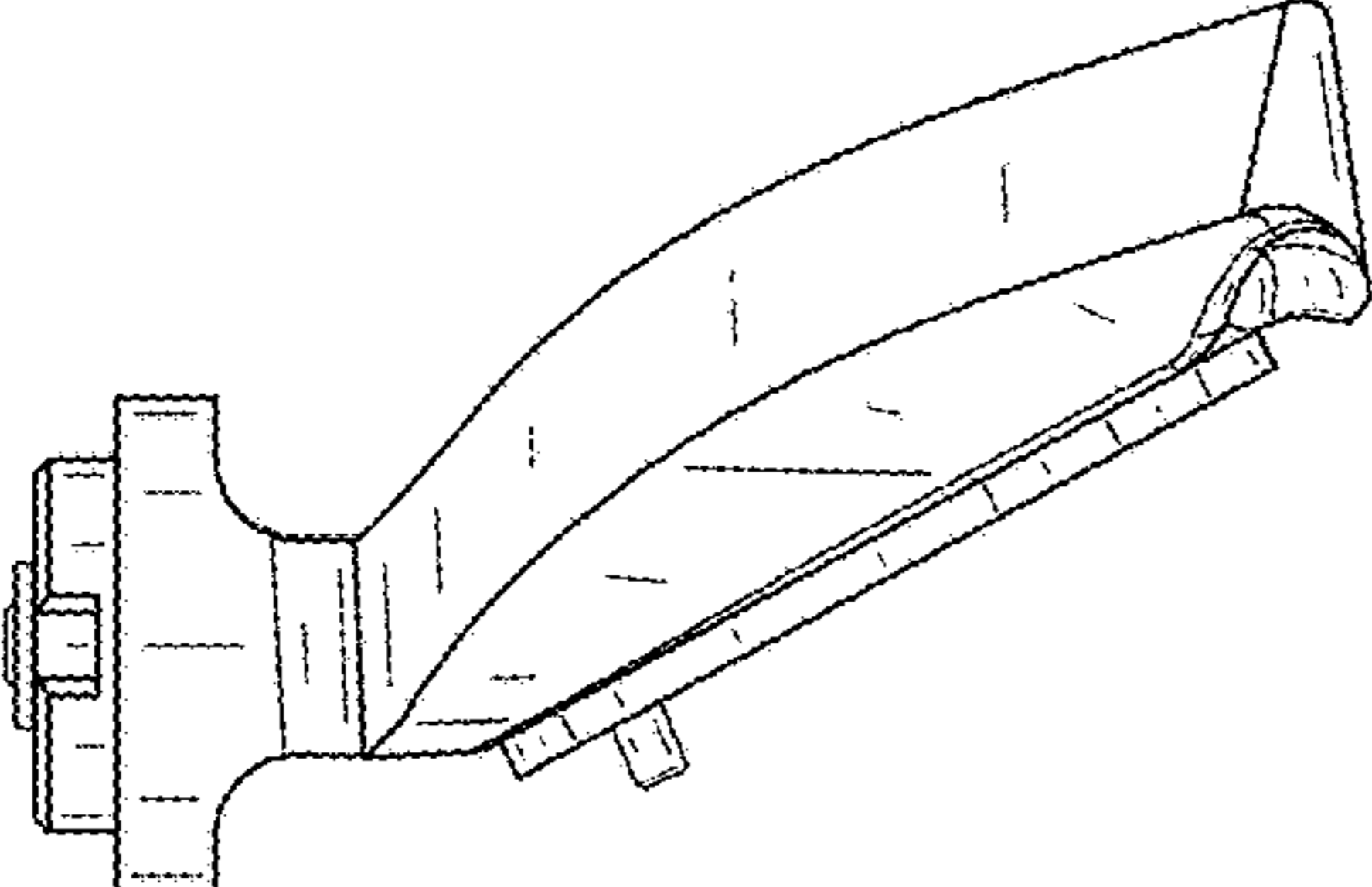


FIG. 6

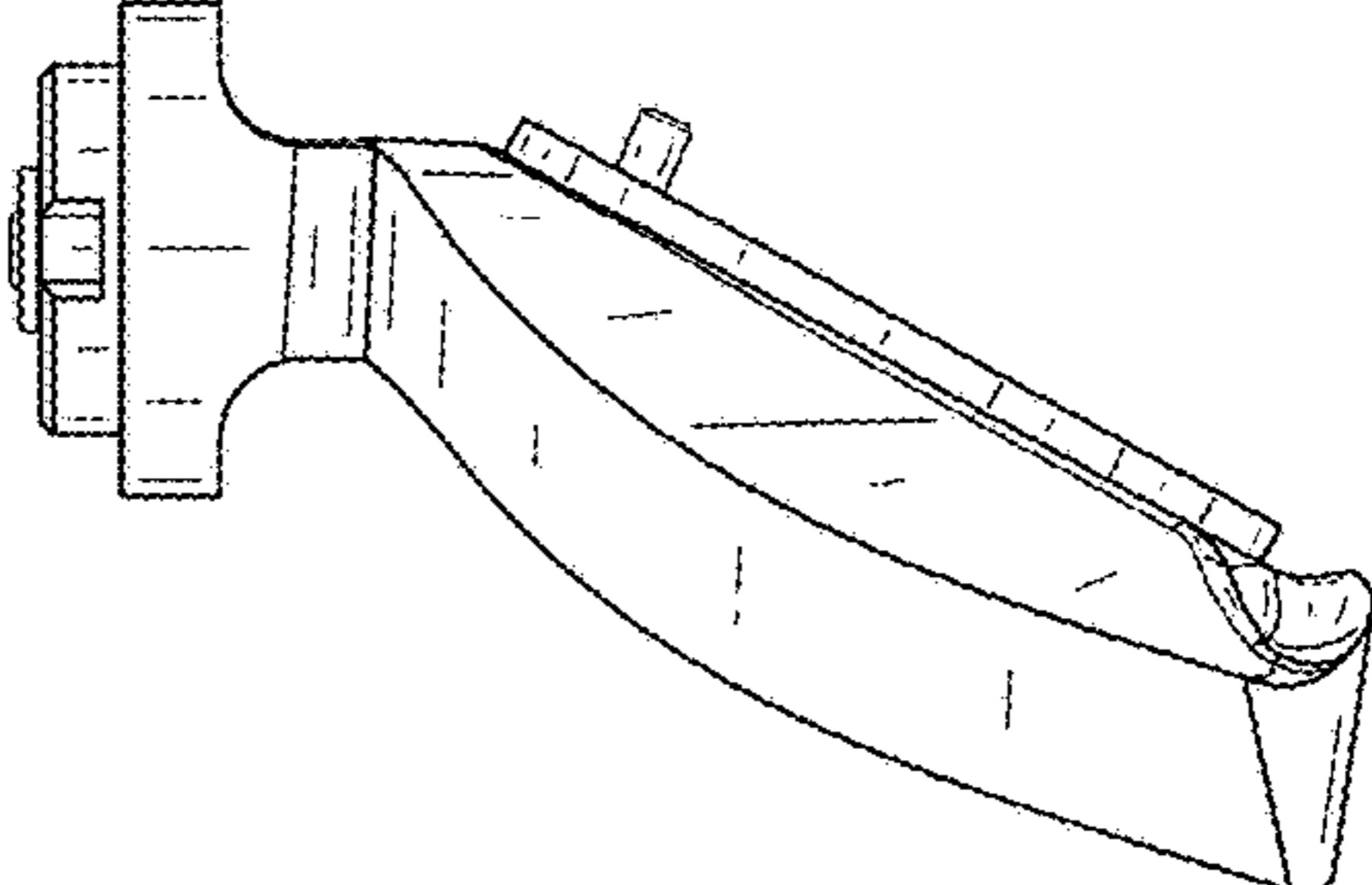


FIG. 7

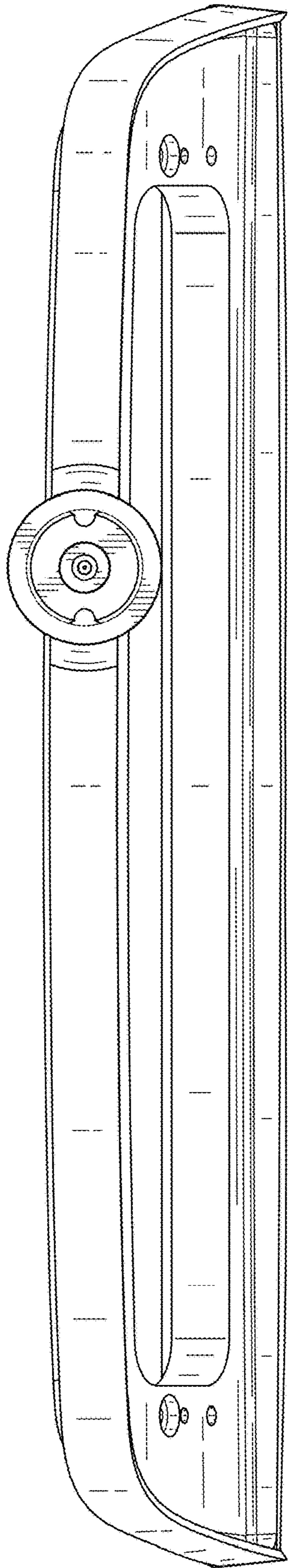


FIG. 8

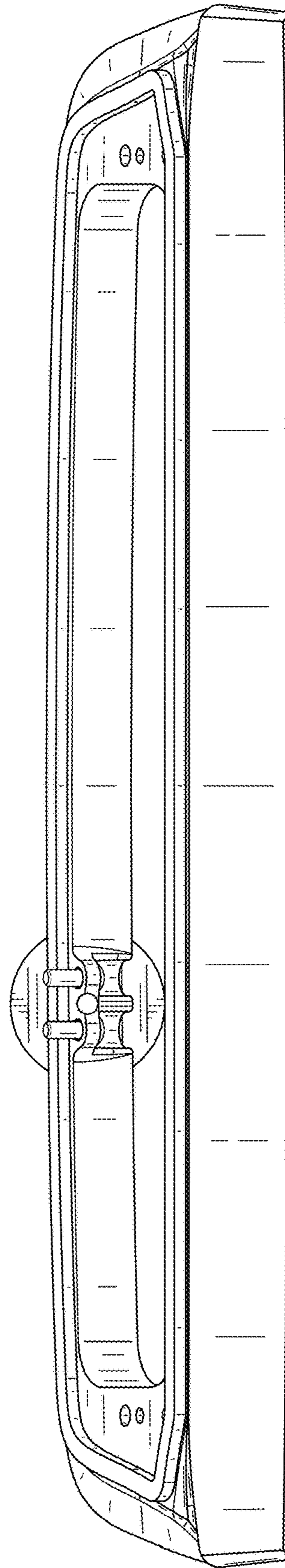


FIG. 9