

US00D839246S

(12) **United States Design Patent**  
**Neal et al.**

(10) **Patent No.:** **US D839,246 S**  
(45) **Date of Patent:** **\*\* Jan. 29, 2019**

- (54) **ANTENNA MOUNT**
- (71) Applicant: **Neal Technologies Inc.**, Mesa, AZ (US)
- (72) Inventors: **Kennieth Neal**, Mesa, AZ (US); **James Cunningham**, Mesa, AZ (US); **Brian Kelley Cowen**, Mesa, AZ (US)
- (73) Assignee: **Neal Technologies, Inc.**, Mesa, AZ (US)
- (\*\*) Term: **15 Years**
- (21) Appl. No.: **29/615,932**
- (22) Filed: **Aug. 31, 2017**
- (51) **LOC (11) Cl.** ..... **14-03**
- (52) **U.S. Cl.**  
USPC ..... **D14/238**
- (58) **Field of Classification Search**  
USPC ... D14/230.1, 203.3, 203.6, 230-238, 238.1, D14/204, 216, 221, 240, 242, 299, 314, D14/343, 496, 509; D12/223, 415, 420  
CPC ..... H01Q 1/12; H01Q 1/22; H01Q 1/007; H01Q 1/38; H01Q 7/00; H01Q 9/40; H01Q 9/285; H01Q 9/065; H01Q 9/44; H01Q 9/265; H01Q 19/10; H01Q 19/106; H01Q 19/12; H01Q 19/13; H01Q 19/15; H01Q 19/30; H01Q 21/28; H01Q 21/06; H01Q 21/062; H01Q 21/293; G05D 1/02; G05D 1/0234  
See application file for complete search history.

(56) **References Cited**

**U.S. PATENT DOCUMENTS**

D678,794 S *	3/2013	Eckert	.....	D10/106.9
9,403,476 B2 *	8/2016	Hausler	.....	B60Q 1/0041
D770,069 S *	10/2016	Goltche	.....	D26/28
D786,837 S *	5/2017	Tsen	.....	D14/230
D796,710 S *	9/2017	Deyaf	.....	D26/28
D797,327 S *	9/2017	Deyaf	.....	D26/28

D812,610 S \* 3/2018 Varghese ..... D14/371  
D813,221 S \* 3/2018 San S (Sundaran) ..... D14/258  
10,090,583 B1 \* 10/2018 Neal ..... H01Q 1/3275  
2016/0223286 A1 \* 8/2016 Storch ..... F41C 23/16  
(Continued)

**OTHER PUBLICATIONS**

Third Brake Light Antenna Mount—2015+ Ford F150, online, first review posted Oct. 11, 2017, <URL: [https://www.bulletproofdiesel.com/ford-F150-2015-third-brake-light-antenna-mount-p/90201129\\_f150.htm](https://www.bulletproofdiesel.com/ford-F150-2015-third-brake-light-antenna-mount-p/90201129_f150.htm)>, retrieved Nov. 6, 2018.\*  
(Continued)

*Primary Examiner* — Jeffrey D Asch  
*Assistant Examiner* — Rebekah A Caruso  
(74) *Attorney, Agent, or Firm* — Hartman Titus PLC;  
John D. Titus

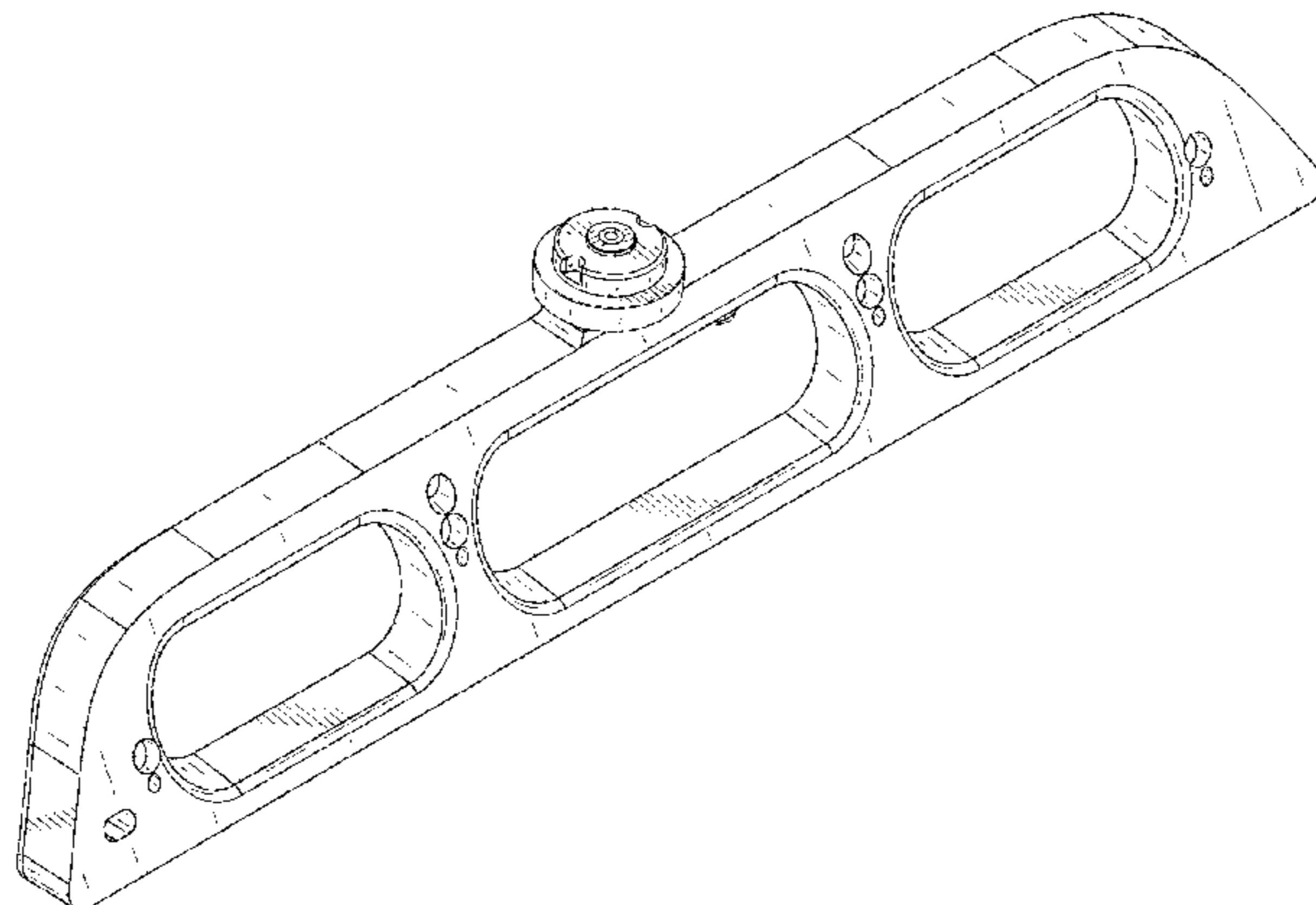
(57) **CLAIM**

The ornamental design for an antenna mount, as shown.

**DESCRIPTION**

FIG. 1 is a front perspective view of an antenna mount showing my new design;  
FIG. 2 is a rear perspective view of the antenna mount shown in FIG. 1;  
FIG. 3 is a front view of the antenna mount shown in FIG. 1;  
FIG. 4 is rear view of the antenna mount shown in FIG. 1;  
FIG. 5 is a right-side view of the antenna mount shown in FIG. 1;  
FIG. 6 is a left-side view of the antenna mount shown in FIG. 1;  
FIG. 7 is a top view of the antenna mount shown in FIG. 1; and,  
FIG. 8 is a bottom view of the antenna mount shown in FIG. 1.

**1 Claim, 5 Drawing Sheets**



(56)

**References Cited**

U.S. PATENT DOCUMENTS

2016/0225268 A1\* 8/2016 DeBusk ..... H01Q 1/1207  
2016/0238211 A1\* 8/2016 Herbin ..... B60Q 1/2696

OTHER PUBLICATIONS

Larson Electronics LLC No Drill Permanent Antenna Mount Plate—  
2017+ Ford F250-F550, online, no post date, <URL: [https://  
globenewswire.com/news-release/2018/07/01/1532110/0/en/Larson-  
Electronics-LLC-Releases-No-Drill-Permanent-Antenna-Mount-  
Plate-for-2017-Ford-F250-F550.html](https://globenewswire.com/news-release/2018/07/01/1532110/0/en/Larson-Electronics-LLC-Releases-No-Drill-Permanent-Antenna-Mount-Plate-for-2017-Ford-F250-F550.html) >, retrieved Nov. 7, 2018.\*

\* cited by examiner

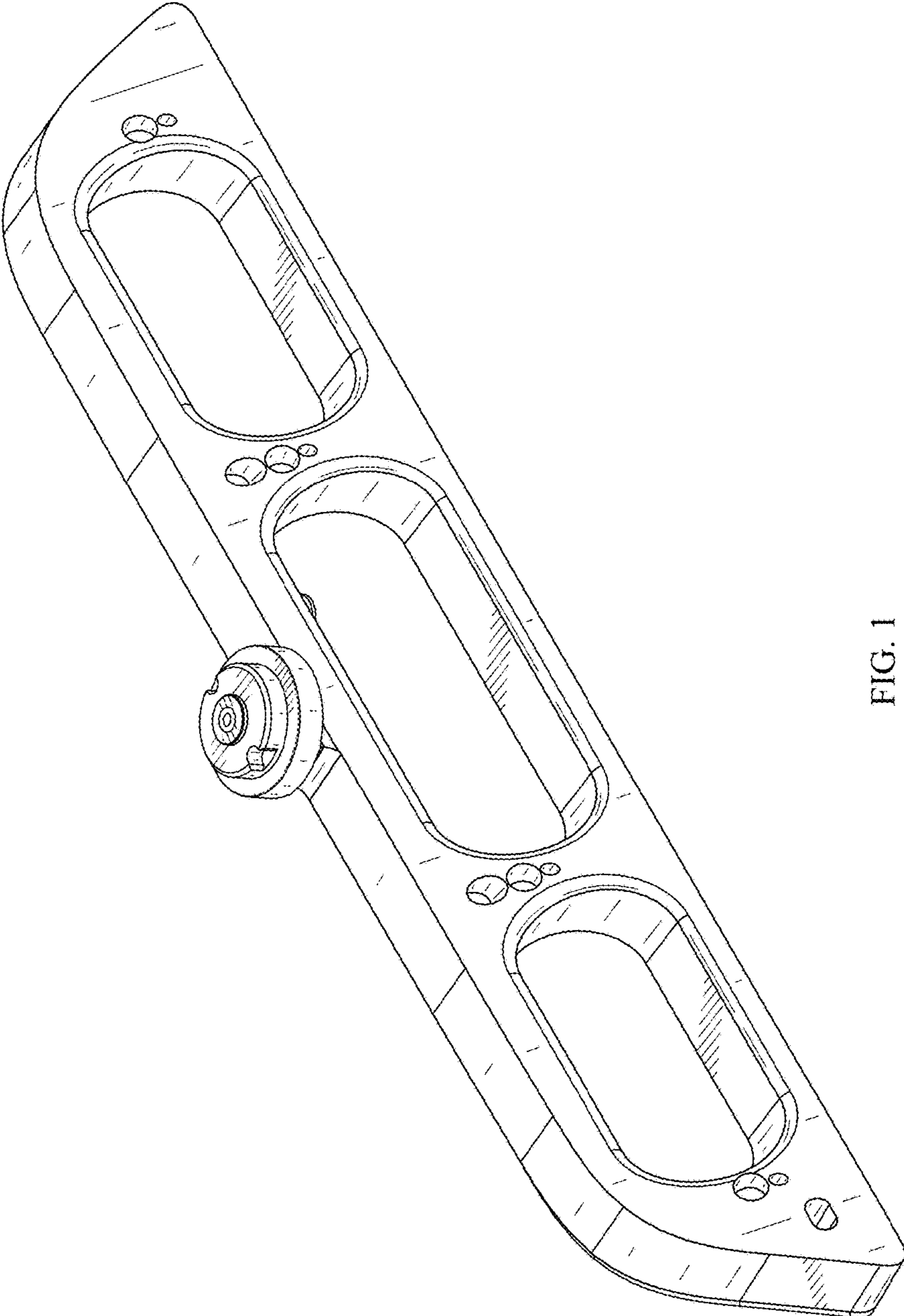


FIG. 1

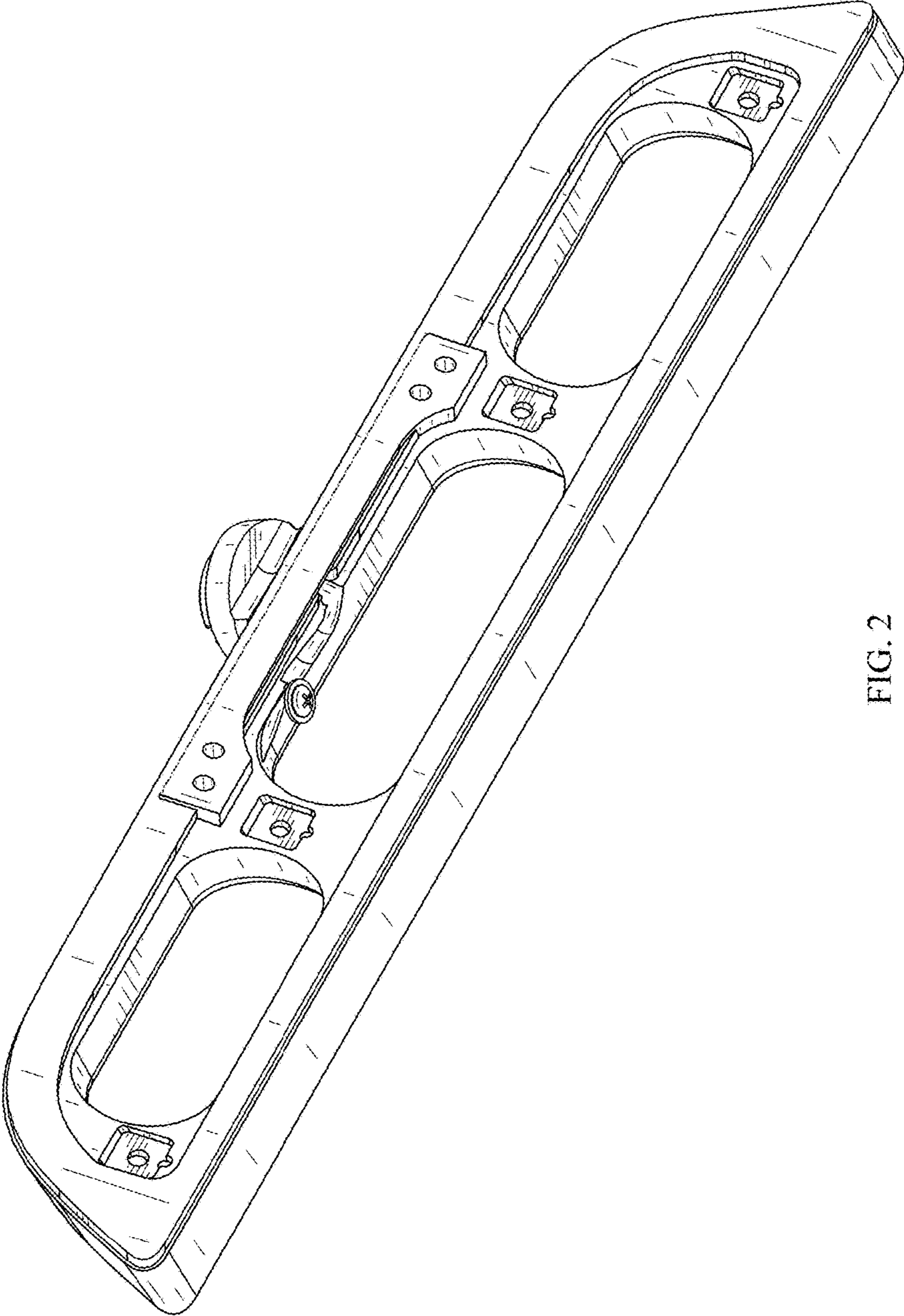


FIG. 2

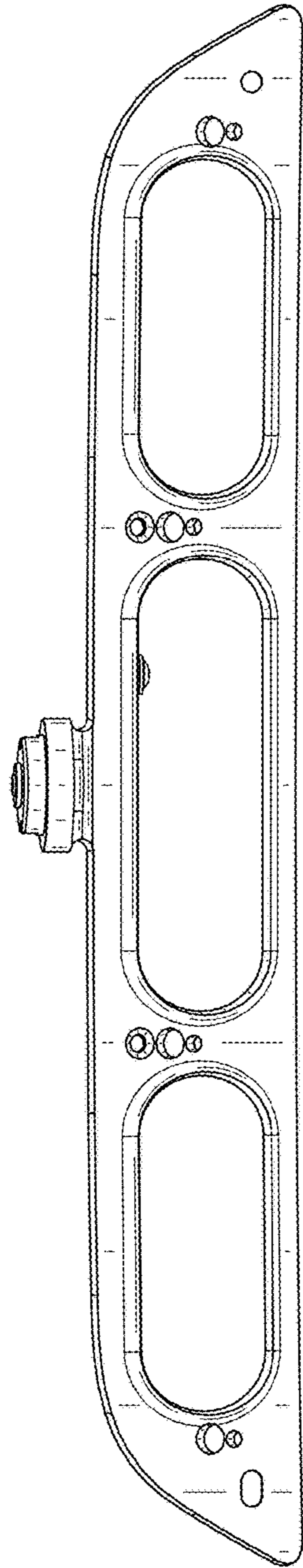


FIG. 3

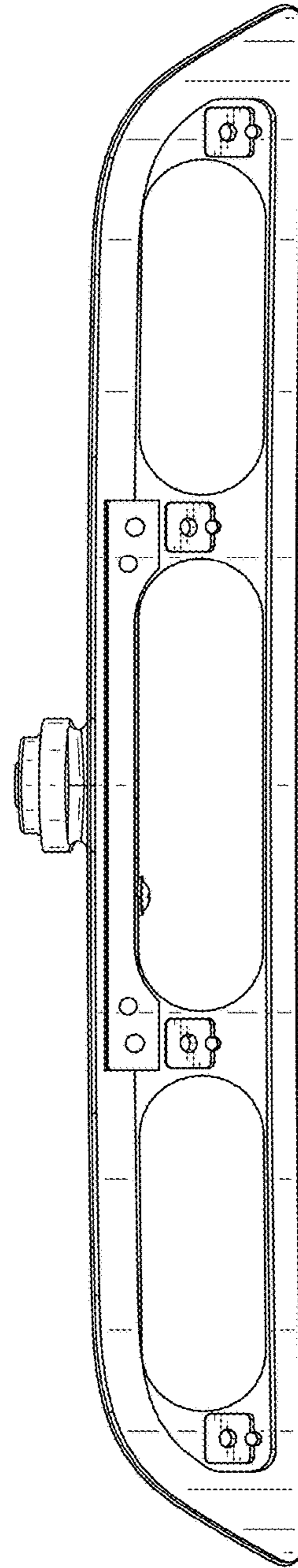


FIG. 4

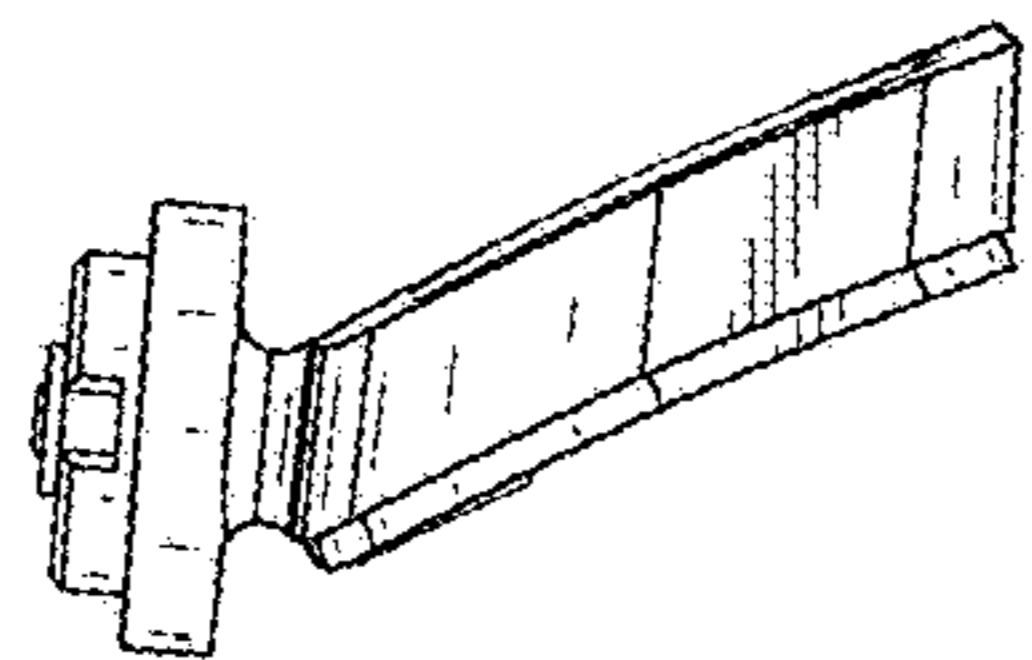


FIG. 5

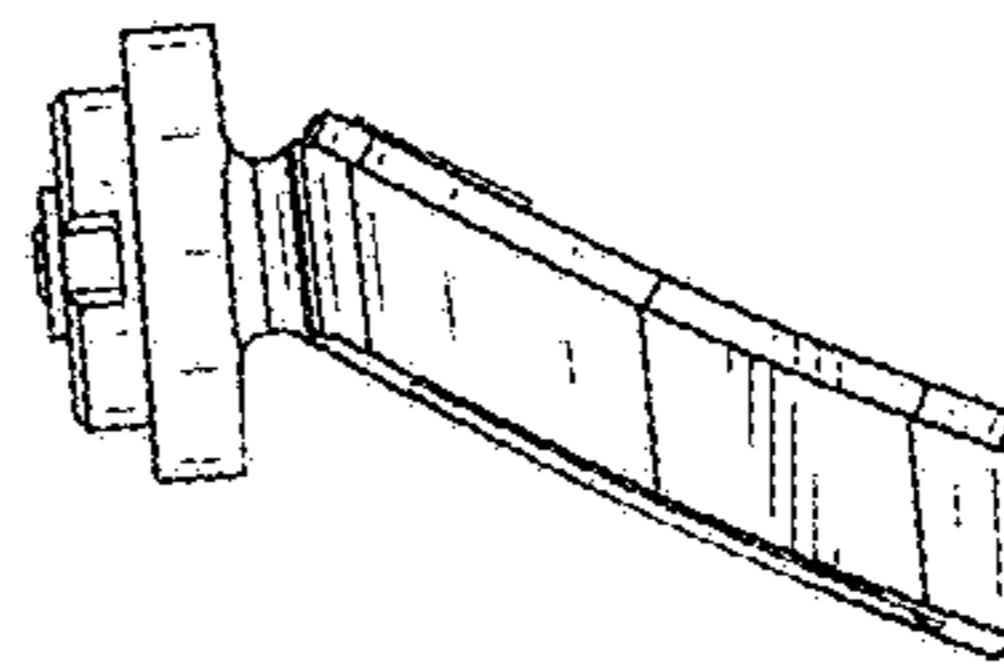


FIG. 6

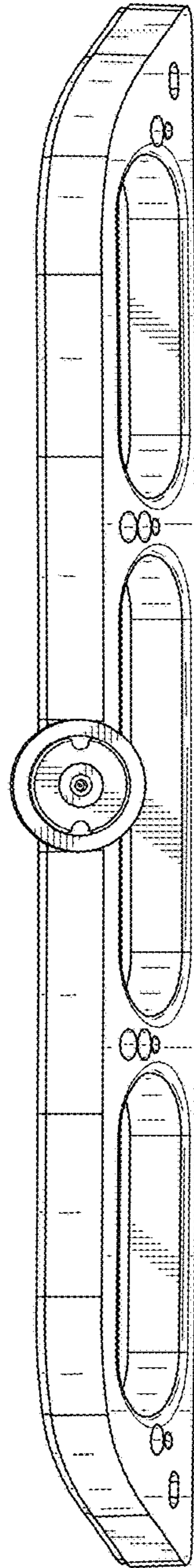


FIG. 7

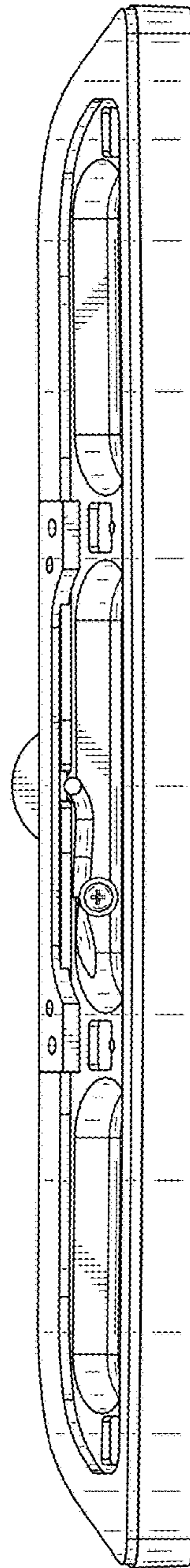


FIG. 8