



US00D839242S

(12) **United States Design Patent**
Pang et al.

(10) **Patent No.:** **US D839,242 S**
(45) **Date of Patent:** **** Jan. 29, 2019**

- (54) **CLIP-ON WIRELESS HEADSET**
- (71) Applicant: **Shenzhen Riitek Technology Co., Ltd.**,
Shenzhen, Guangdong (CN)
- (72) Inventors: **Xianyong Pang**, Shenzhen (CN);
Junkui Chen, Shenzhen (CN)
- (73) Assignee: **Shenzhen Riitek Technology Co., Ltd.**,
Shenzhen, Guangdong (CN)
- (**) Term: **15 Years**
- (21) Appl. No.: **29/600,961**
- (22) Filed: **Apr. 17, 2017**
- (51) **LOC (11) Cl.** **14-01**
- (52) **U.S. Cl.**
USPC **D14/223**
- (58) **Field of Classification Search**
USPC D14/223, 205, 218, 496, 155, 188, 192,
D14/191, 240; D13/168, 184; D3/207,
D3/218; D10/106.1; D24/174; 24/3.12;
224/271; 379/430, 431, 446, 450,
379/428.01; 381/187, 370, 374, 380,
381/381; 455/90.3, 575.1, 560.1, 556.1
CPC . H04R 25/00; H04R 1/10; H05K 5/02; H04B
1/08
See application file for complete search history.

(56) **References Cited**
U.S. PATENT DOCUMENTS

2,883,523	A *	4/1959	Meserow	H04B 5/00 200/61.47
D212,863	S *	12/1968	Roberts	351/158
4,725,827	A *	2/1988	Gallegos, Jr.	G07C 9/00944 341/20
4,893,344	A *	1/1990	Tragardh	H04M 1/05 379/430
D310,349	S *	9/1990	Rowen	D13/168
D314,964	S *	2/1991	Chung	D14/188

D316,550	S *	4/1991	Sogabe	D14/168
D352,714	S *	11/1994	Ichikawa	D14/188
D355,895	S *	2/1995	Soren	D14/218
5,488,759	A *	2/1996	Lim	A45F 5/02 24/3.12
D375,696	S *	11/1996	Seki	D10/104.1
5,748,454	A *	5/1998	Nichols	A45F 5/02 24/3.11
5,803,323	A *	9/1998	Hayashi	G08B 3/1058 200/333
D405,424	S *	2/1999	Winkler	D13/168
D413,579	S *	9/1999	Mullet	D13/168
D430,139	S *	8/2000	Peters	D14/192
6,122,369	A *	9/2000	Hwang	H04M 1/6058 379/420.03
6,188,881	B1 *	2/2001	Braxton	H04B 1/385 340/7.55
D448,359	S *	9/2001	Do	D14/223
6,283,348	B1 *	9/2001	Wang	A45F 5/02 224/197

(Continued)

Primary Examiner — Paula Allen Greene
(74) *Attorney, Agent, or Firm* — Raymond Y. Chan;
David and Raymond Patent Firm

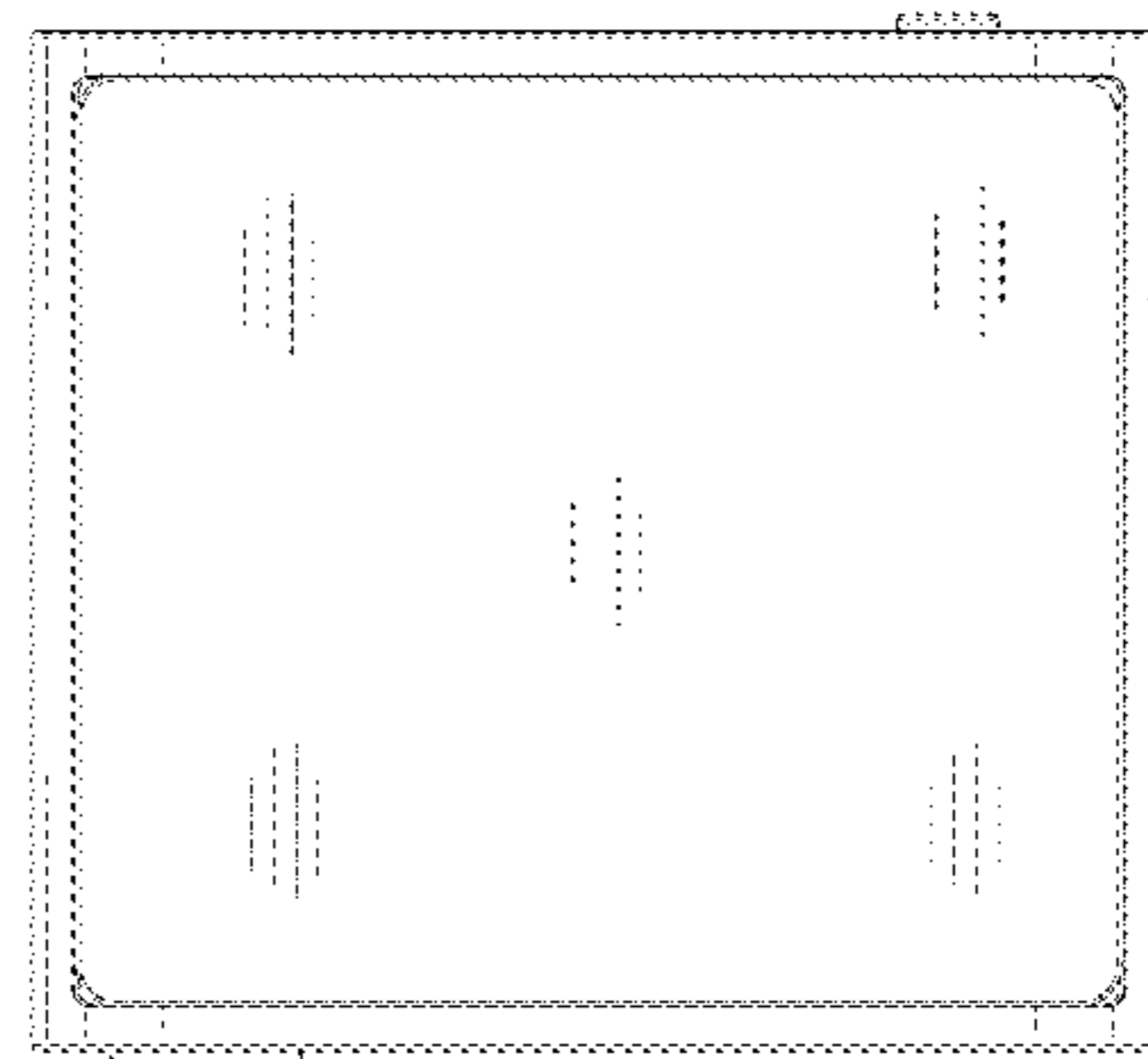
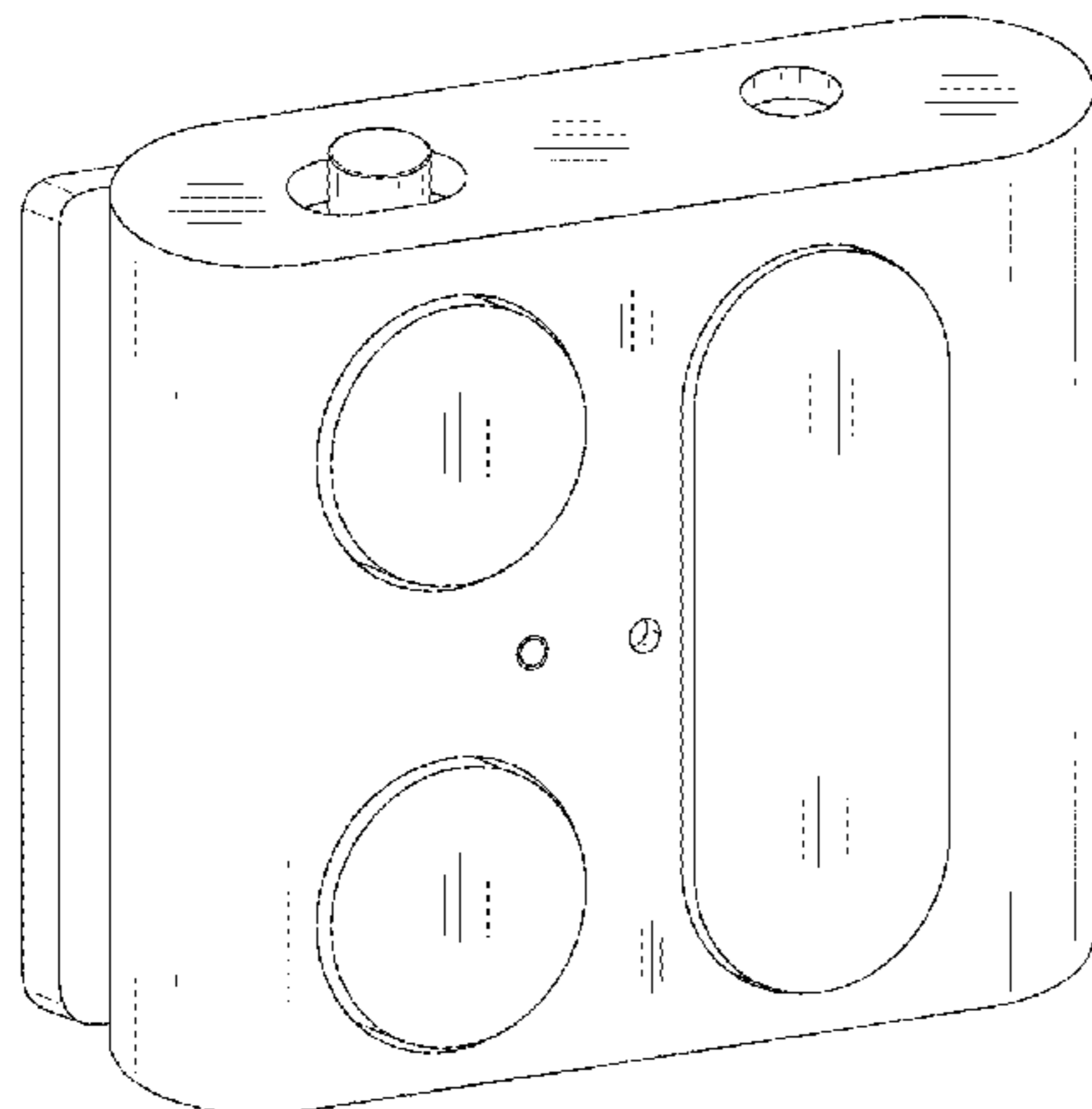
(57) **CLAIM**

The ornamental design for a clip-on wireless headset, as shown and described.

DESCRIPTION

FIG. 1 is a perspective view of the clip-on wireless headset showing my new design;
FIG. 2 is a front view of the headset;
FIG. 3 is a rear view of the headset;
FIG. 4 is a left view of the headset;
FIG. 5 is a right view of the headset;
FIG. 6 is a top view of the headset; and,
FIG. 7 is a bottom view of the headset.
The broken lines shown in the FIG. 7 depict environment that forms no part of the claimed design.

1 Claim, 7 Drawing Sheets



(56)

References Cited

U.S. PATENT DOCUMENTS

D450,337 S * 11/2001 Hamamura D13/168
 D461,457 S * 8/2002 Lin D10/104.1
 6,438,248 B1 * 8/2002 Kamimura H04M 1/05
 381/374
 D465,476 S * 11/2002 Golding D14/223
 D465,477 S * 11/2002 Beraut D14/218
 D470,833 S * 2/2003 Rath D14/205
 D478,576 S * 8/2003 Leong D14/223
 D483,281 S * 12/2003 Cobigo D10/104.1
 D492,665 S * 7/2004 Lee D14/218
 D496,031 S * 9/2004 Ma D10/104.1
 D515,545 S * 2/2006 Griffin D14/155
 D517,052 S * 3/2006 Skulley D14/223
 D520,991 S * 5/2006 Ma D14/240
 D543,537 S * 5/2007 Chau D14/218
 D566,106 S * 4/2008 Kim D14/223
 D567,216 S * 4/2008 Densho D14/205
 D575,280 S * 8/2008 Marquez D14/240

7,418,097 B2 * 8/2008 Chang H04M 1/06
 379/446
 D587,682 S * 3/2009 Miles D14/205
 D588,740 S * 3/2009 Maruyama D27/157
 D590,371 S * 4/2009 Leinvuo D14/205
 D595,262 S * 6/2009 Nousiainen D14/206
 D604,725 S * 11/2009 Chen D13/184
 D605,168 S * 12/2009 Jaakkola D14/205
 D607,898 S * 1/2010 Lee D14/203.3
 D608,767 S * 1/2010 Liner D14/205
 D611,935 S * 3/2010 Wikel D14/223
 D613,273 S * 4/2010 Liner D14/223
 D616,899 S * 6/2010 Andre D14/496
 D635,125 S * 3/2011 Nousiainen D14/223
 D638,409 S * 5/2011 Walter D14/223
 D702,732 S * 4/2014 Wu D14/203.5
 D715,760 S * 10/2014 Kim D14/188
 D716,274 S * 10/2014 Henning D14/223
 D807,862 S * 1/2018 Takami D14/223
 D811,373 S * 2/2018 Lee D14/218
 2008/0032737 A1 * 2/2008 Liu H04M 1/72522
 455/556.1

* cited by examiner

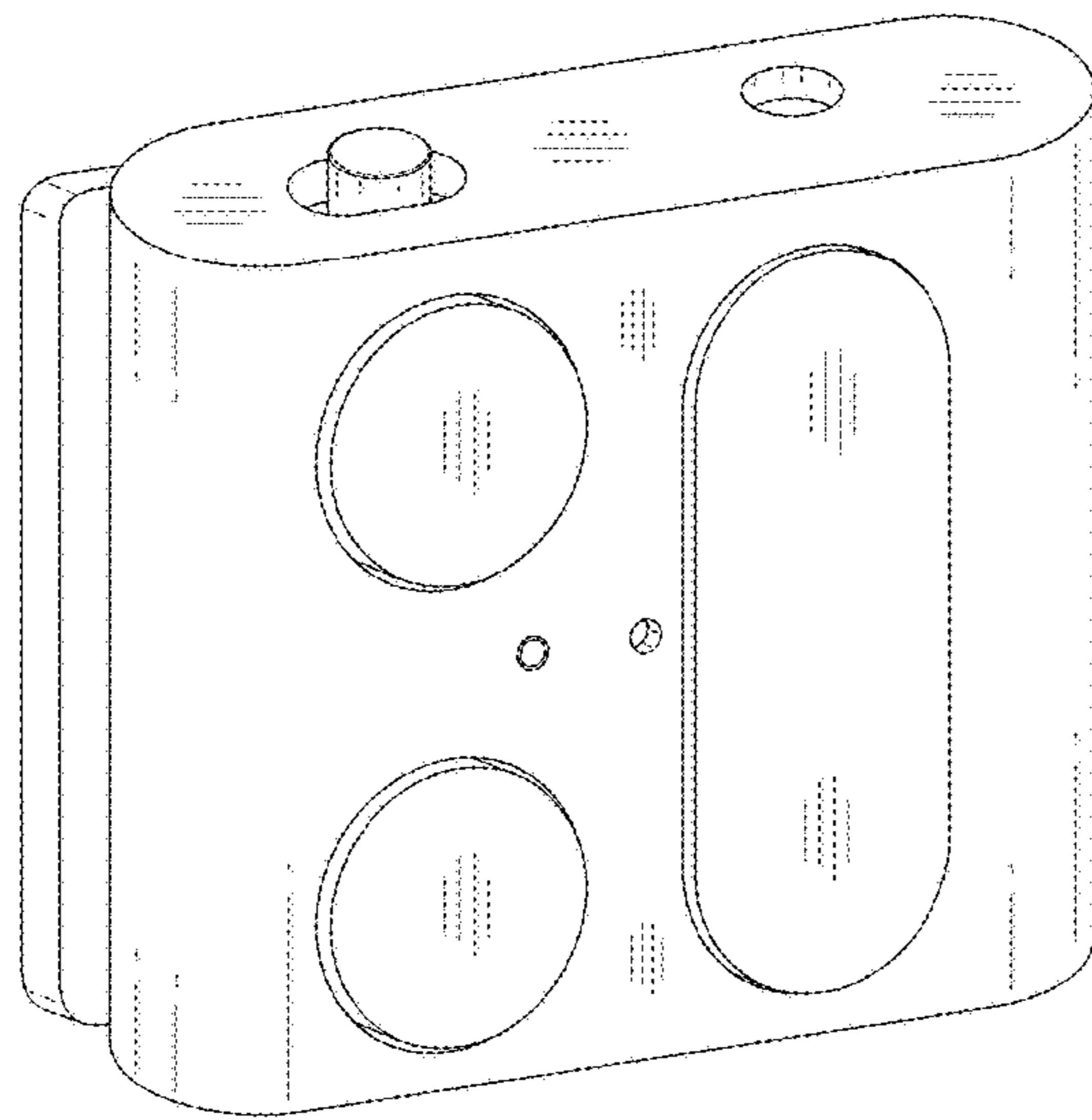


FIG1

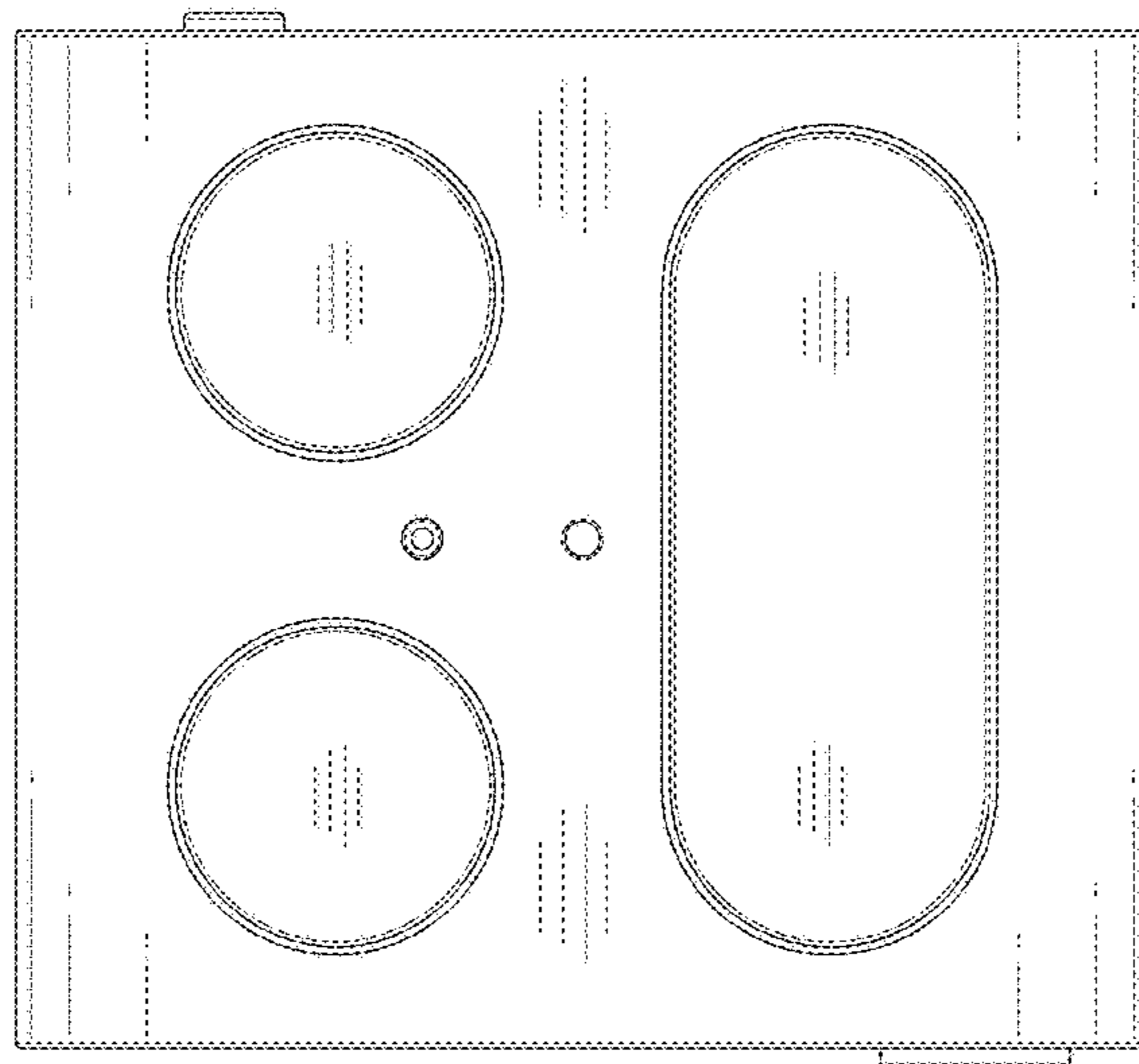


FIG 2

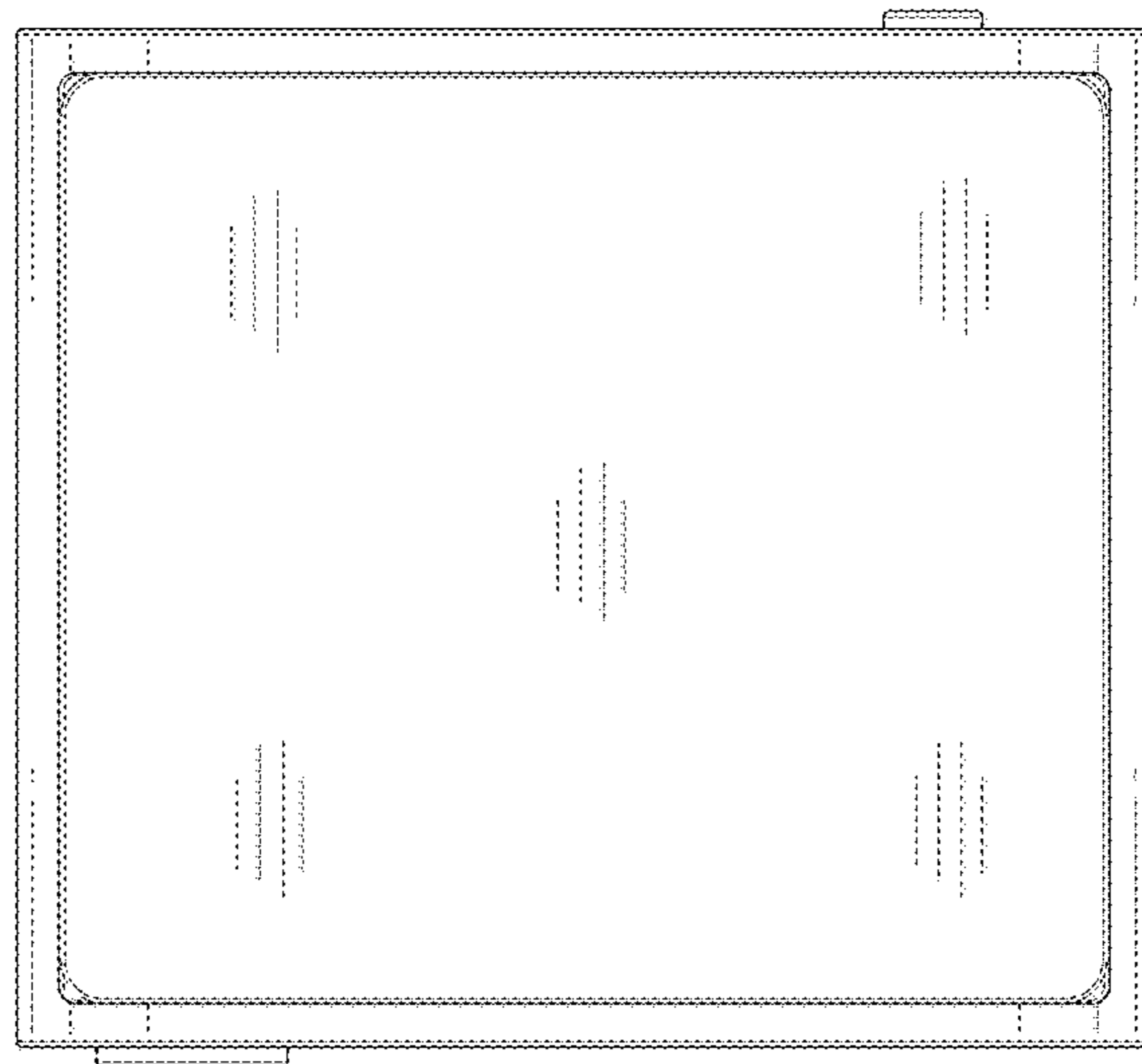


FIG3

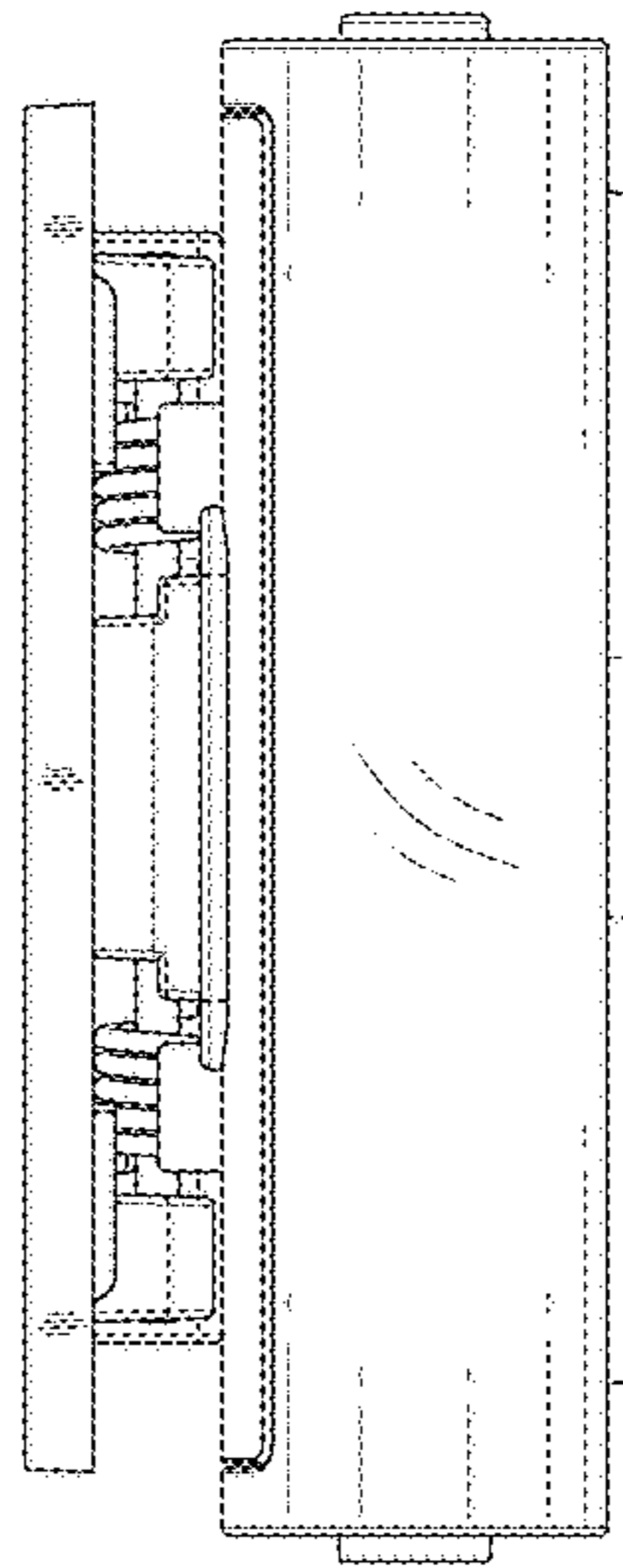


FIG4

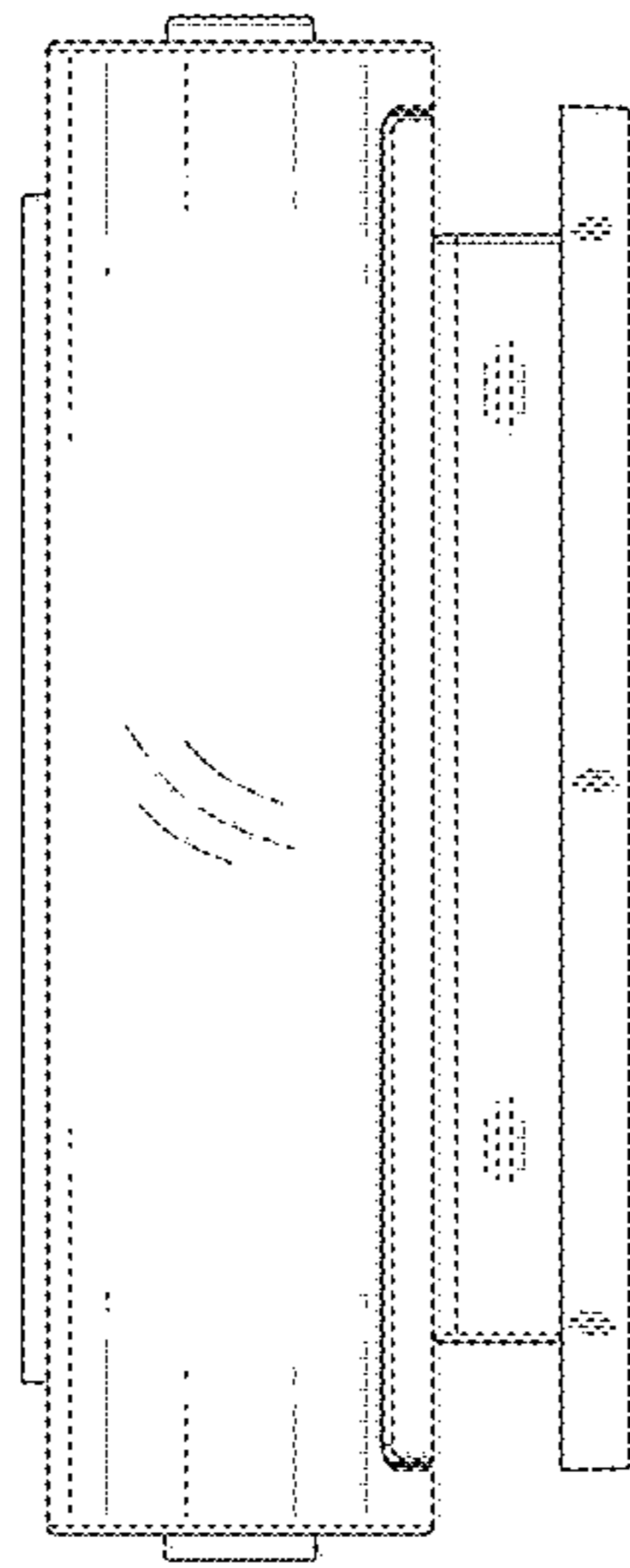


FIG5

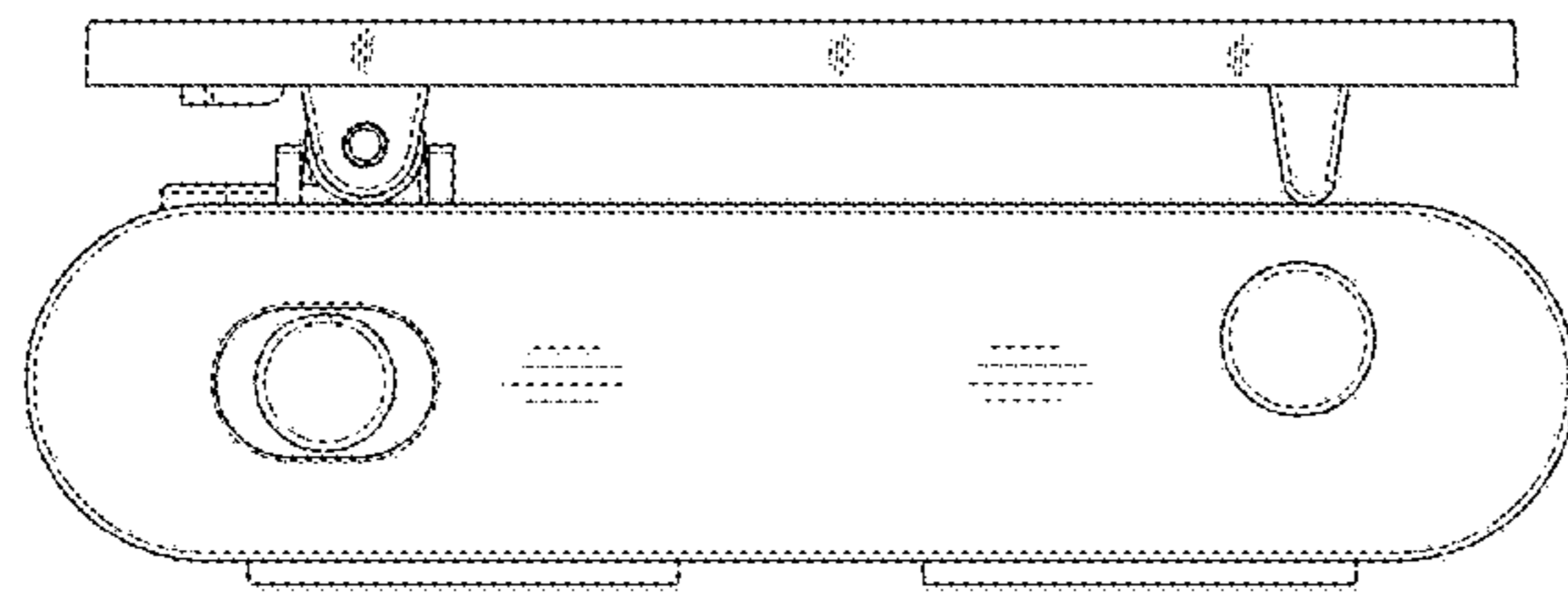


FIG6

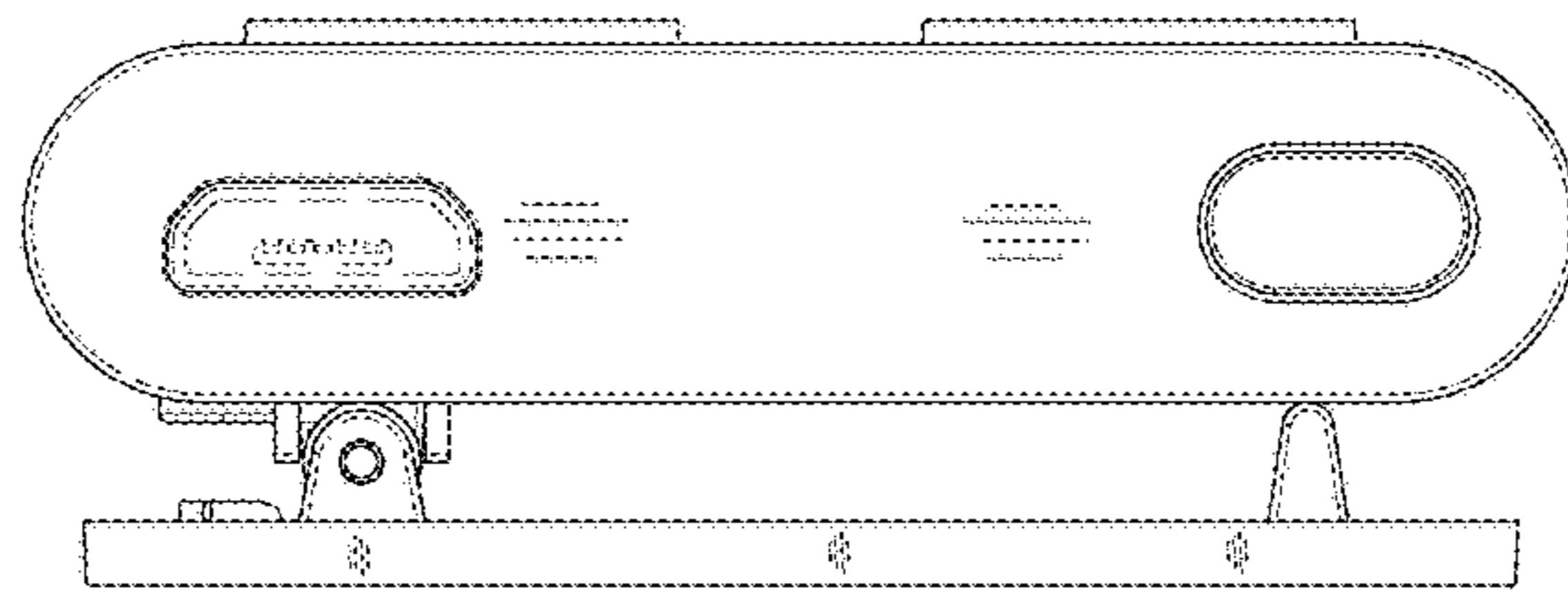


FIG7