



US00D839240S

(12) **United States Design Patent**  
**Vinyard**

(10) **Patent No.:** **US D839,240 S**  
(45) **Date of Patent:** **\*\* Jan. 29, 2019**

(54) **MIXER KNOB**

(71) Applicant: **Brandon Vinyard**, Southfield, MI (US)

(72) Inventor: **Brandon Vinyard**, Southfield, MI (US)

(73) Assignee: **Brandon Vinyard**, East Stroudsburg, PA (US)

(\*\*) Term: **15 Years**

(21) Appl. No.: **29/611,308**

(22) Filed: **Jul. 20, 2017**

(51) **LOC (11) Cl.** ..... **14-03**

(52) **U.S. Cl.**  
USPC ..... **D14/217**

(58) **Field of Classification Search**  
USPC ..... D14/217, 257, 258, 434, 496, 162, 167, D14/175, 188, 196-198; D8/44, 71-74, D8/313, 314, 321, 354-356, 382, 384, D8/394-398; D13/158, 162, 170, 171, D13/173

CPC .... H04R 3/00; H04R 2499/11; H04R 1/1091; H04R 1/406; H04R 2420/07; H04R 27/00; H04R 29/004; H04R 3/005; H04R 5/04; H04R 1/02; H04R 1/10; H04R 1/1016; H04R 1/1041; H04R 1/1083; H04R 2201/021; H04R 2201/107; H04R 2201/40; H04R 2201/401; H04R 2201/405; H04R 2227/003; H04R 2410/05; H04R 2410/07; H04R 2420/01; H04R 2420/09; H04R 2430/01; H04R 2430/03; H04R 2460/01; H04R 2460/09

See application file for complete search history.

(56) **References Cited**

**U.S. PATENT DOCUMENTS**

D253,289 S \* 10/1979 Kato ..... D14/217  
D300,023 S \* 2/1989 DeRamus, Jr. .... D12/179

5,177,801 A 1/1993 Shoda et al.  
5,317,641 A 5/1994 Yasuda et al.  
5,402,501 A 3/1995 Silfvajt et al.  
5,444,676 A 8/1995 Balsamo et al.  
5,488,669 A 1/1996 Zampini et al.  
5,530,765 A 6/1996 Zampini et al.  
5,608,807 A 3/1997 Brunelle  
5,623,551 A 4/1997 East et al.  
D400,865 S \* 11/1998 Korhonen ..... D13/173  
5,930,375 A 7/1999 East et al.  
5,959,610 A 9/1999 Silfvast  
6,301,365 B1 10/2001 Yamada et al.  
6,438,241 B1 8/2002 Silfvast et al.  
7,183,538 B2 2/2007 Minokami et al.  
7,442,609 B2 10/2008 Wang et al.  
D589,464 S \* 3/2009 Ozoe ..... D13/168  
D612,364 S \* 3/2010 Kwolek ..... D14/215  
7,929,717 B2 4/2011 Okabayashi et al.  
D643,818 S \* 8/2011 Bryan ..... D13/171  
D644,623 S \* 9/2011 Behringer ..... D14/188  
8,153,881 B2 4/2012 Coppard et al.  
8,300,852 B2 10/2012 Terada  
8,611,562 B2 12/2013 Cooper

(Continued)

*Primary Examiner* — Ian Simmons

*Assistant Examiner* — Khawaja Anwar

(74) *Attorney, Agent, or Firm* — Fishman Stewart PLLC

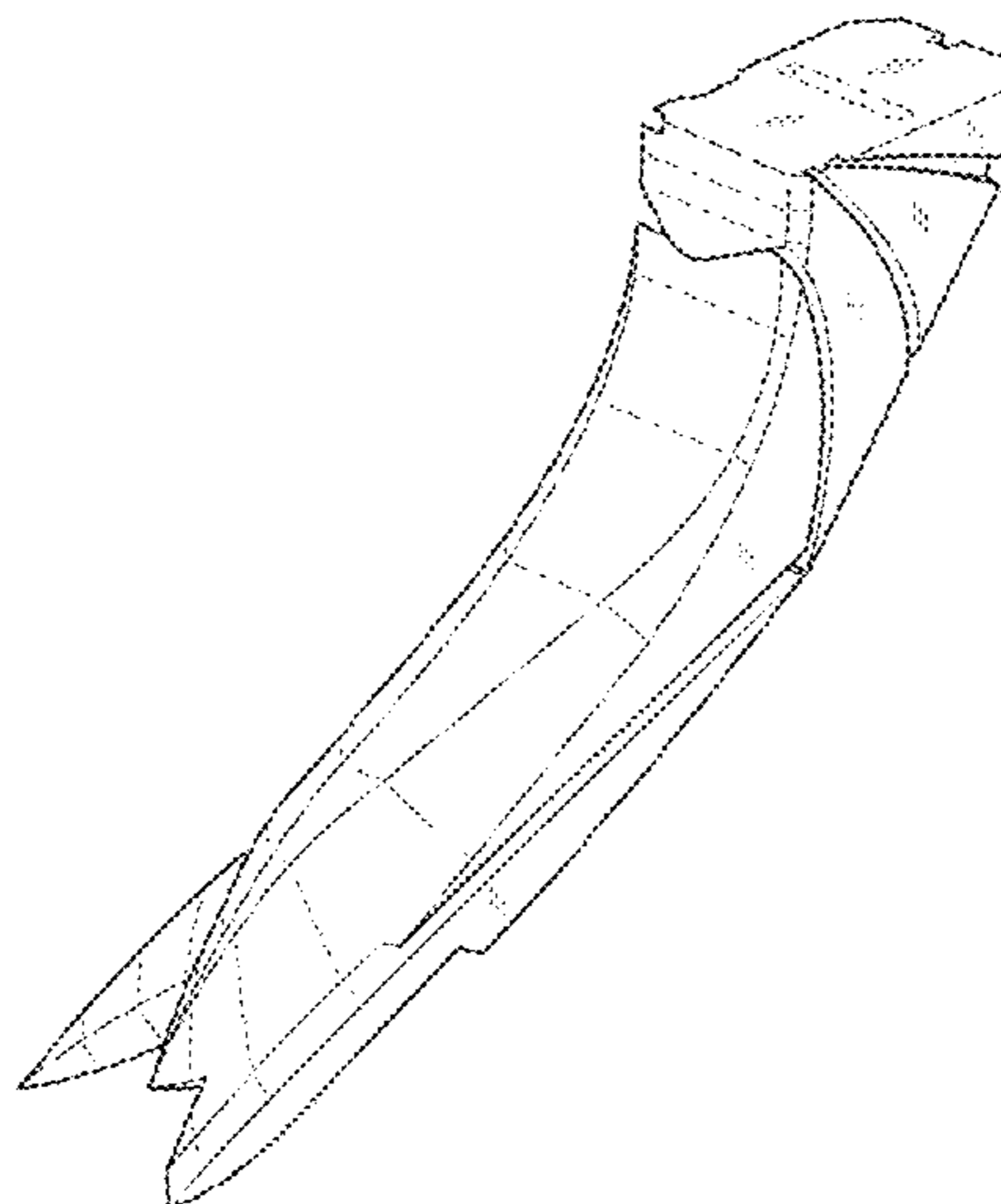
(57) **CLAIM**

The ornamental design for a mixer knob, as shown and described.

**DESCRIPTION**

FIG. 1 is a perspective view of a mixer knob;  
FIG. 2 is a front view of a mixer knob;  
FIG. 3 is a back view of a mixer knob;  
FIG. 4 is a top view of a mixer knob;  
FIG. 5 is a bottom view of a mixer knob; and,  
FIG. 6 is a side view of a mixer knob.  
The broken lines in the drawings show portions of the mixer knob, that form no part of the claimed design.

**1 Claim, 3 Drawing Sheets**



(56)

**References Cited**

U.S. PATENT DOCUMENTS

8,687,825 B2 4/2014 Okabayashi  
D726,159 S \* 4/2015 Swendseid ..... D14/217  
D726,689 S \* 4/2015 Swendseid ..... D14/217  
9,564,982 B2 2/2017 Ito  
D799,435 S \* 10/2017 Lacey ..... D13/173  
D806,681 S \* 1/2018 Pat ..... D14/217  
D807,897 S \* 1/2018 Dahan ..... D14/480.1  
2001/0028721 A1 10/2001 Stavrou  
2002/0159375 A1 10/2002 Guchi et al.  
2005/0259532 A1 11/2005 Roman et al.  
2010/0266147 A1 10/2010 Radford  
2011/0130200 A1 6/2011 Terada et al.  
2012/0023406 A1 1/2012 Fujita et al.  
2014/0126750 A1 5/2014 Kitayama et al.  
2016/0378428 A1 12/2016 Jacuzzi

\* cited by examiner

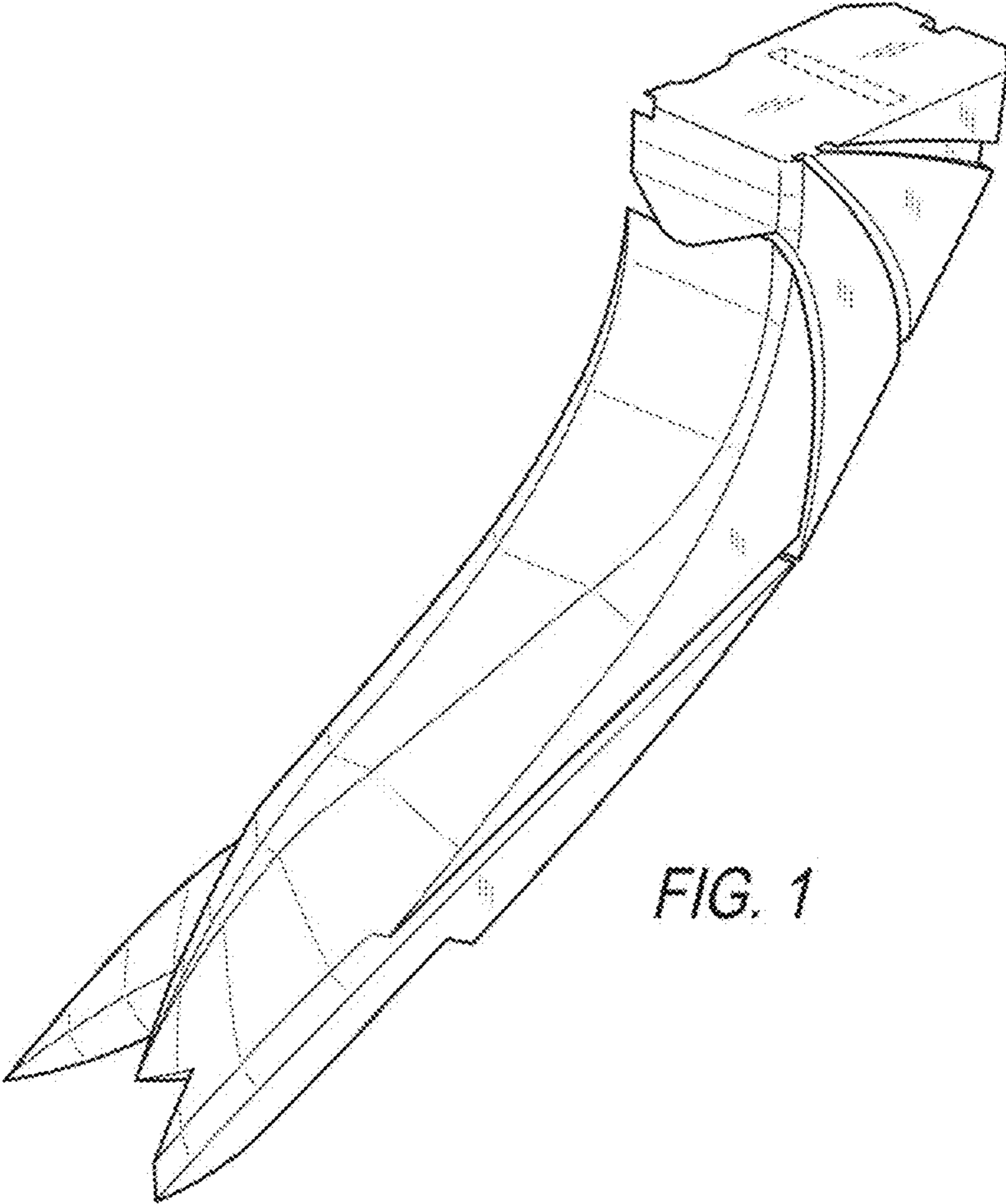


FIG. 1

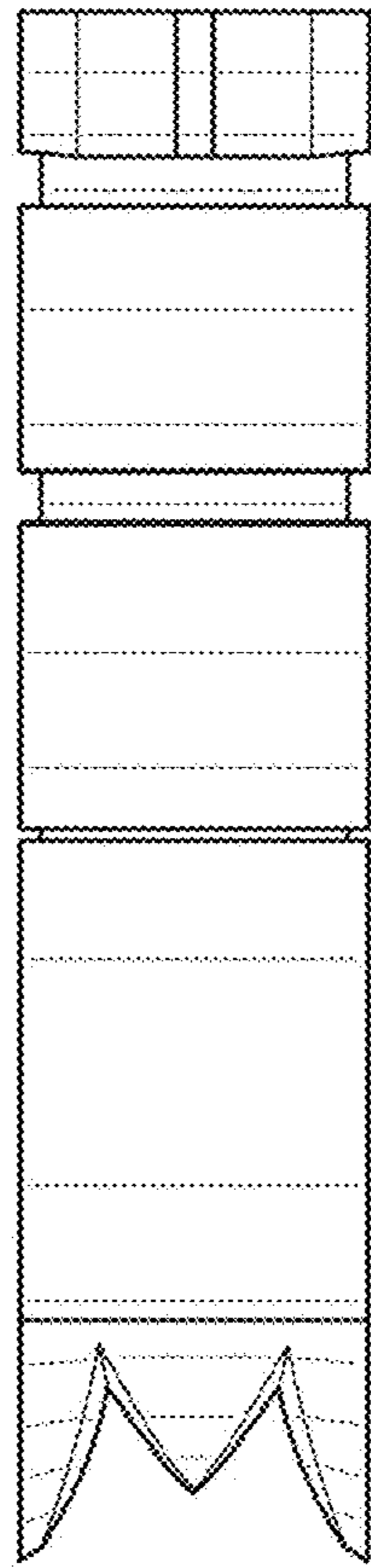


FIG. 2

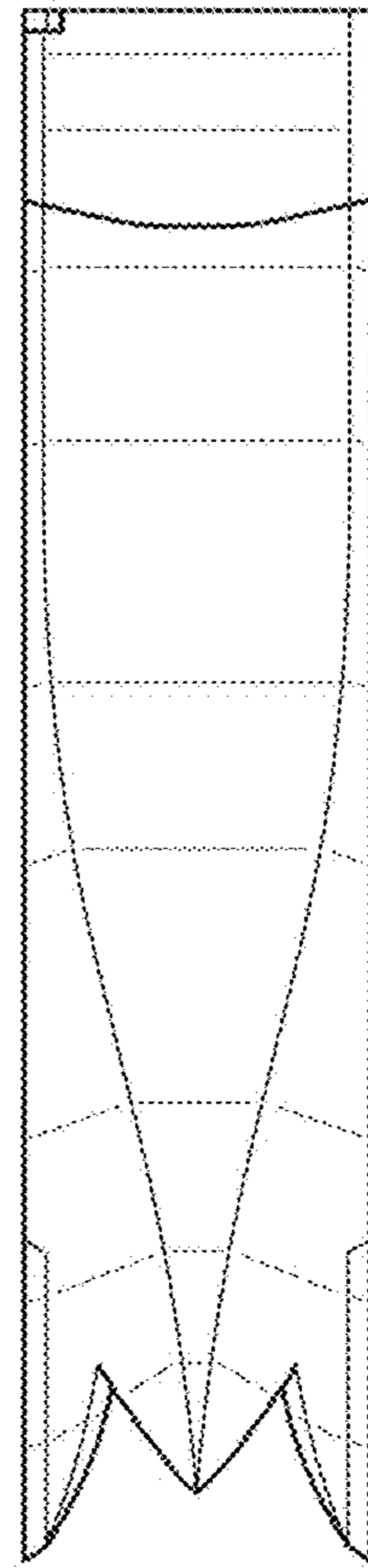


FIG. 3

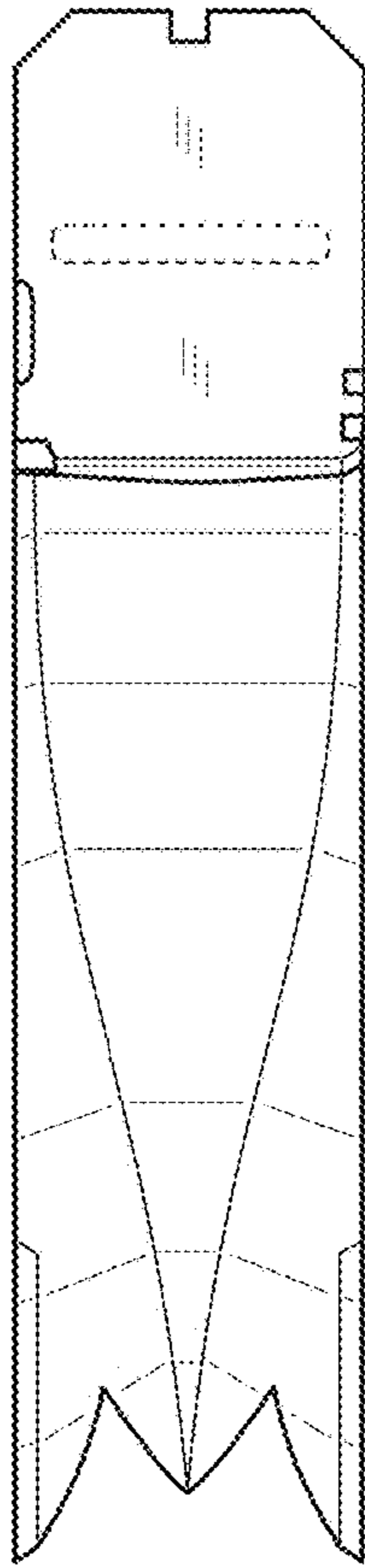


FIG. 4

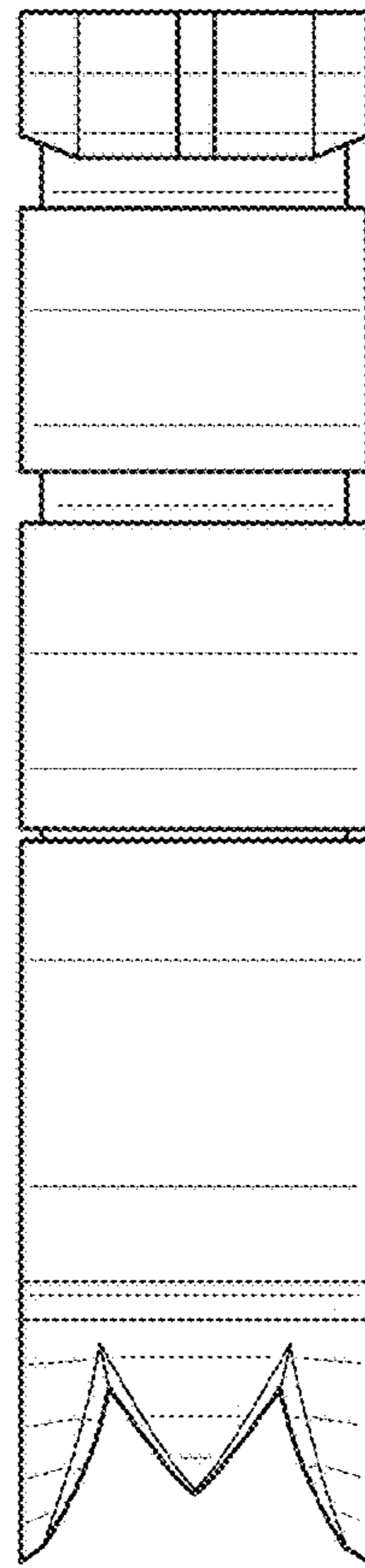


FIG. 5

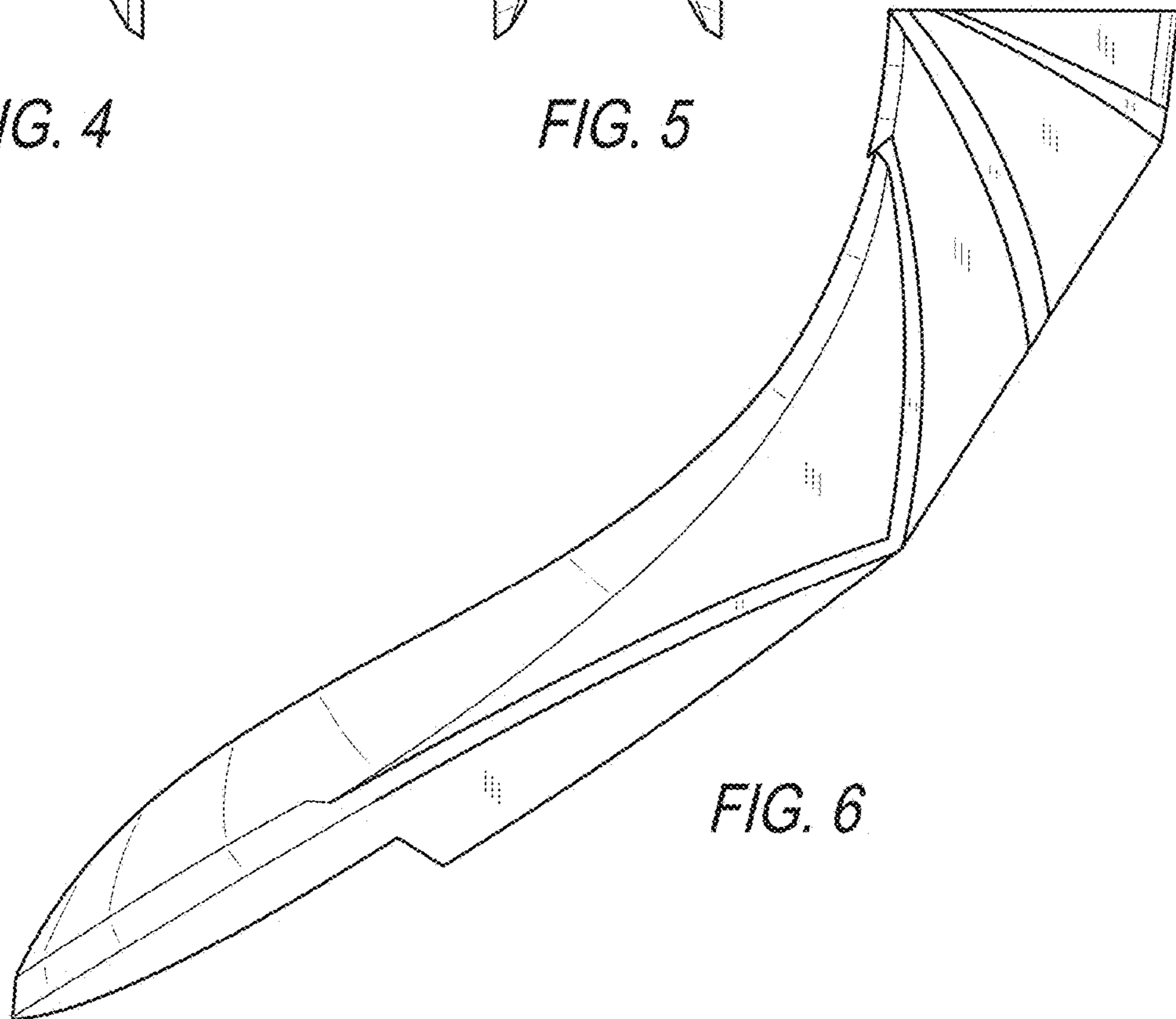


FIG. 6