



US00D839237S

(12) **United States Design Patent**
Mei

(10) **Patent No.:** **US D839,237 S**

(45) **Date of Patent:** **** Jan. 29, 2019**

(54) **EARPHONE**

(71) Applicant: **Qingkai Mei**, Guangdong (CN)

(72) Inventor: **Qingkai Mei**, Guangdong (CN)

(73) Assignee: **Shenzhen MeiDong Acoustics Co., LTD**, Hongzhuyongqi Technology Park, Lezhujiao, Xixiang, Baoan, Shenzhen, Guangdong (CN)

(**) Term: **15 Years**

(21) Appl. No.: **29/621,860**

(22) Filed: **Oct. 12, 2017**

(51) **LOC (11) Cl.** **14-01**

(52) **U.S. Cl.**
USPC **D14/205**

(58) **Field of Classification Search**
USPC D14/205, 223, 225, 226, 218; D13/168;
181/129, 130, 135; 379/430, 431;
381/380, 381, 370, 384, 74; 455/90.3,
455/575.1, 569.1
CPC H04R 1/10; H04R 1/1016; H04R 25/00;
H04R 5/033; H04R 5/0335; H04R 1/105;
H04R 1/1033
See application file for complete search history.

(56) **References Cited**

U.S. PATENT DOCUMENTS

- 4,057,124 A * 11/1977 Braden H04R 1/086
181/242
- 4,132,950 A * 1/1979 Cochran H03D 1/24
455/183.2
- 4,199,721 A * 4/1980 Ono H04B 1/3822
381/356
- D307,907 S * 5/1990 Siddoway D14/225
- D318,670 S * 7/1991 Taniguchi D14/205
- D326,655 S * 6/1992 Iribe D14/192

- D352,039 S * 11/1994 Yurkonis D14/225
- D356,571 S * 3/1995 Garmon D14/225
- D374,874 S * 10/1996 Lindeman D14/219
- D539,782 S * 4/2007 Lee D14/188
- D550,657 S * 9/2007 Gan D14/223
- D569,841 S * 5/2008 Chung D14/205
- D584,283 S * 1/2009 Soetejo D14/205
- D637,998 S * 5/2011 Brunner D14/205
- D643,830 S * 8/2011 Fish D14/205
- D652,822 S * 1/2012 Lee D14/223
- D658,157 S * 4/2012 McManigal D14/205
- D673,531 S * 1/2013 Lee D14/223
- D676,026 S * 2/2013 Lee D14/223
- D683,333 S * 5/2013 Lee D14/223
- D685,764 S * 7/2013 Coulter D14/205
- D691,580 S * 10/2013 Cho D14/205
- D698,750 S * 2/2014 Yoon D14/205
- D711,858 S * 8/2014 Yang D14/223
- D718,273 S * 11/2014 Harata D14/205
- D718,745 S * 12/2014 Thompson D14/223
- D737,251 S * 8/2015 Thompson D14/223
- D782,442 S * 3/2017 Chen D14/205
- 2009/0304220 A1 * 12/2009 Fujikura H04R 1/1091
381/380

(Continued)

Primary Examiner — Paula Allen Greene

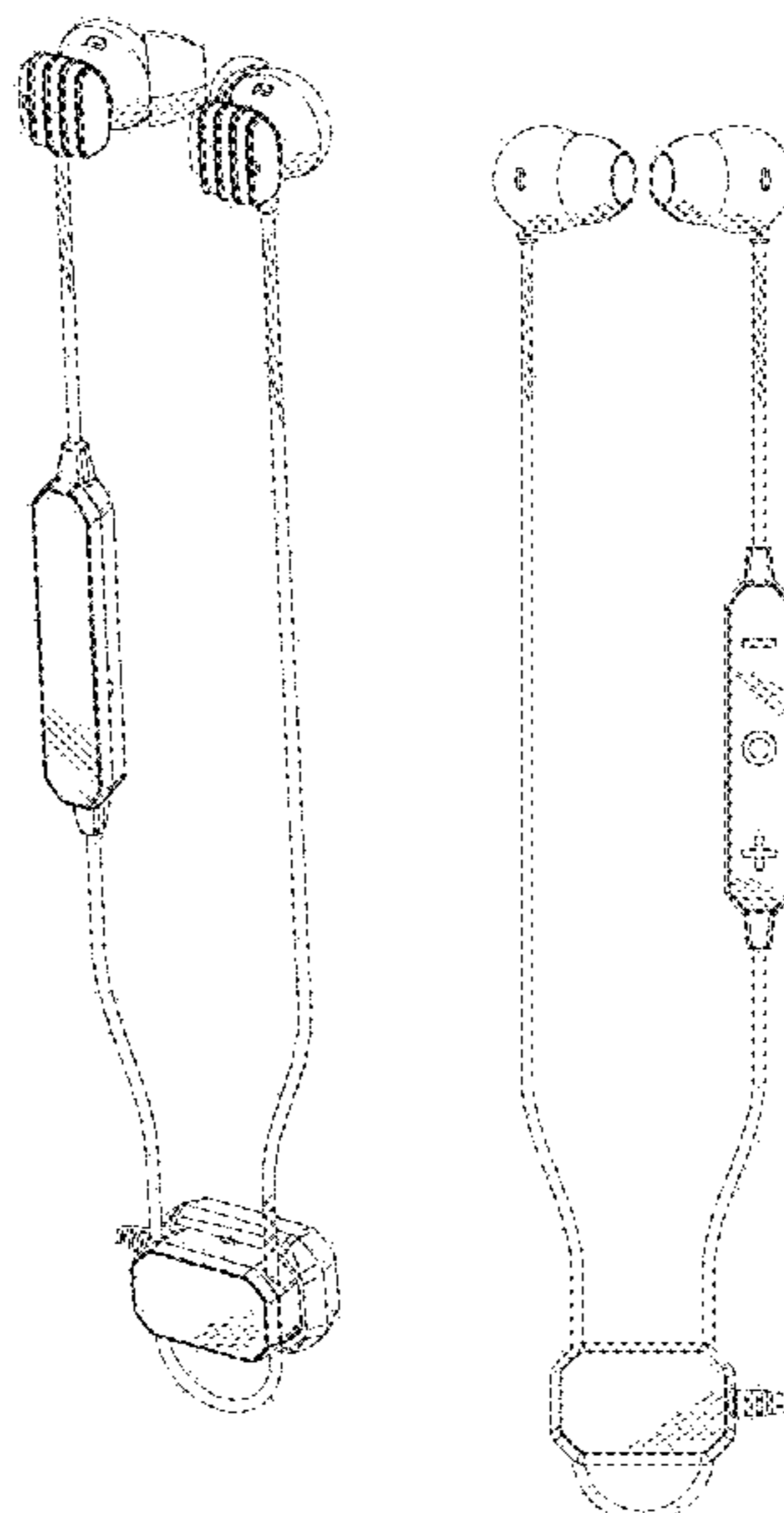
(57) **CLAIM**

I claim the ornamental design for an earphone, as shown and described.

DESCRIPTION

FIG. 1 is a perspective view of an earphone showing my new design;
FIG. 2 is a front elevational view thereof;
FIG. 3 is a rear elevational view thereof;
FIG. 4 is a left side elevational view thereof;
FIG. 5 is a right side elevational view thereof;
FIG. 6 is a top plan view thereof; and,
FIG. 7 is a bottom plan view thereof.

1 Claim, 7 Drawing Sheets



(56)

References Cited

U.S. PATENT DOCUMENTS

2010/0166208	A1*	7/2010	Kato	H04R 1/1033 381/74
2010/0202626	A1*	8/2010	Shiori	H04R 1/1091 381/74
2012/0183152	A1*	7/2012	Hankey	H01H 9/0228 381/74

* cited by examiner

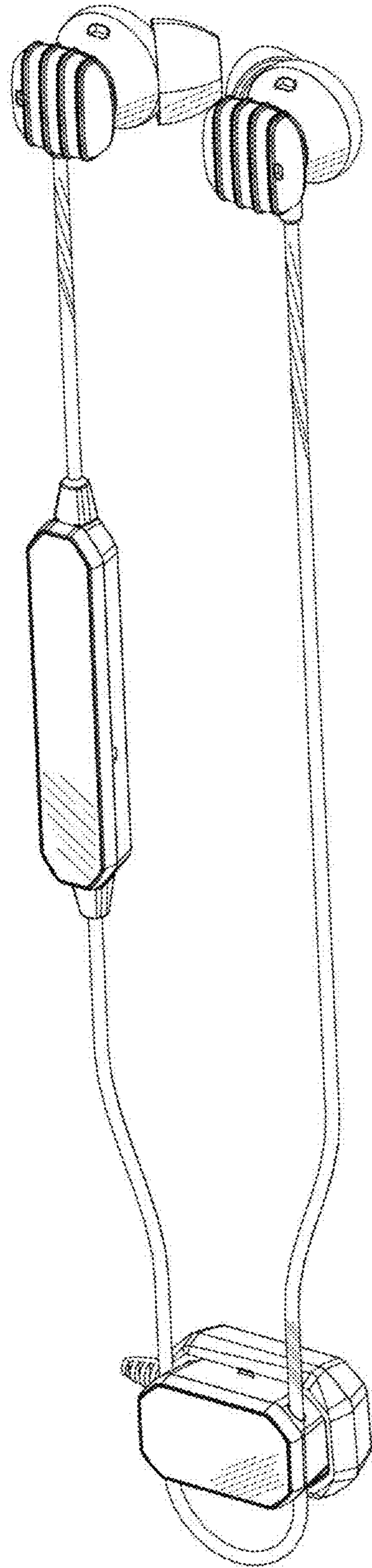


FIG.1

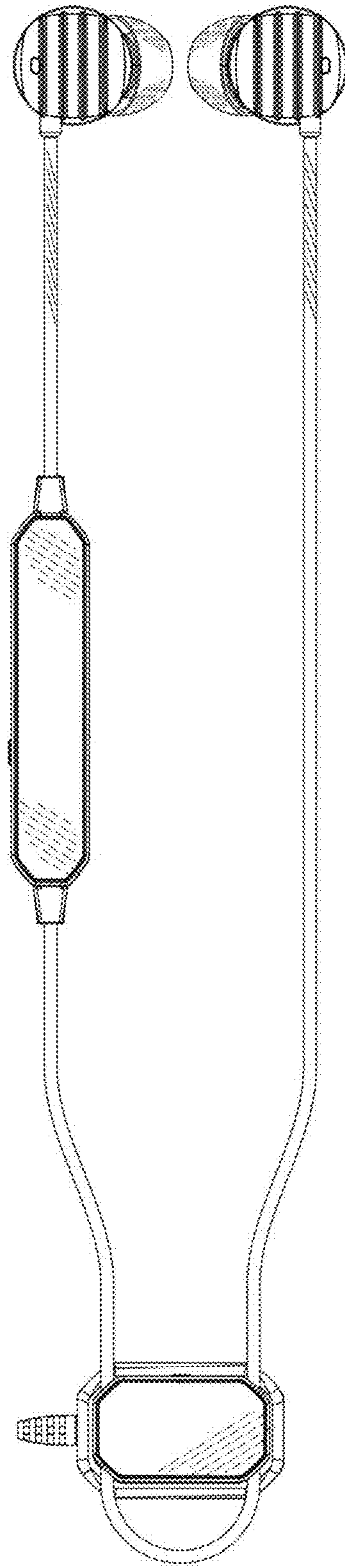


FIG.2

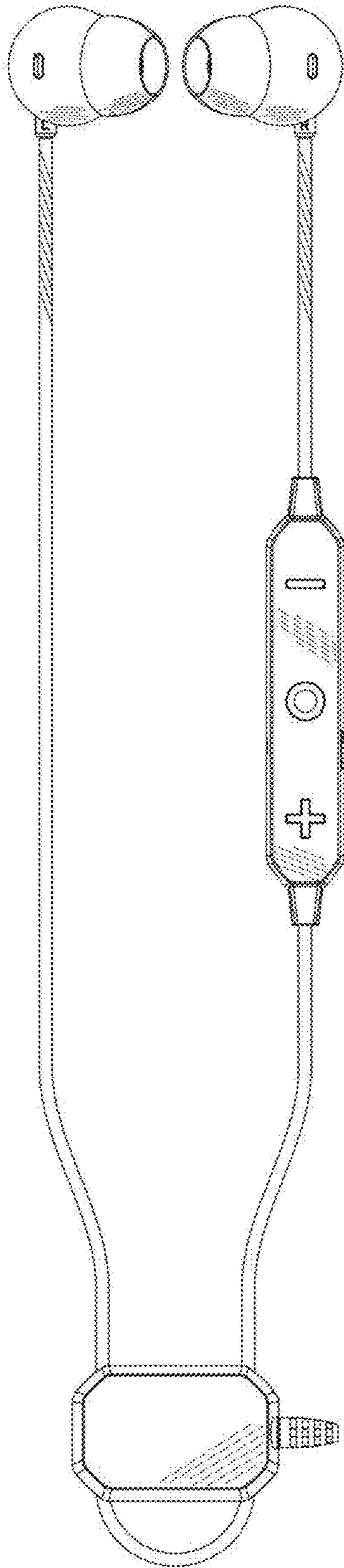


FIG.3

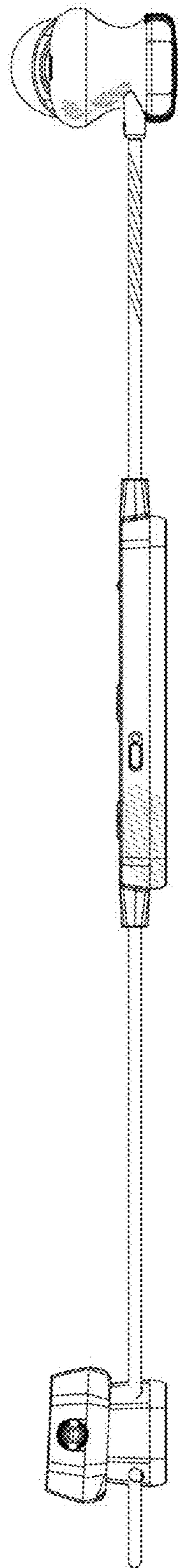


FIG.4

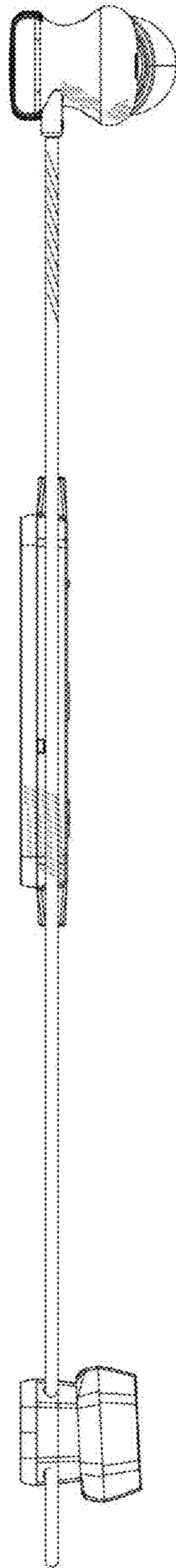


FIG.5

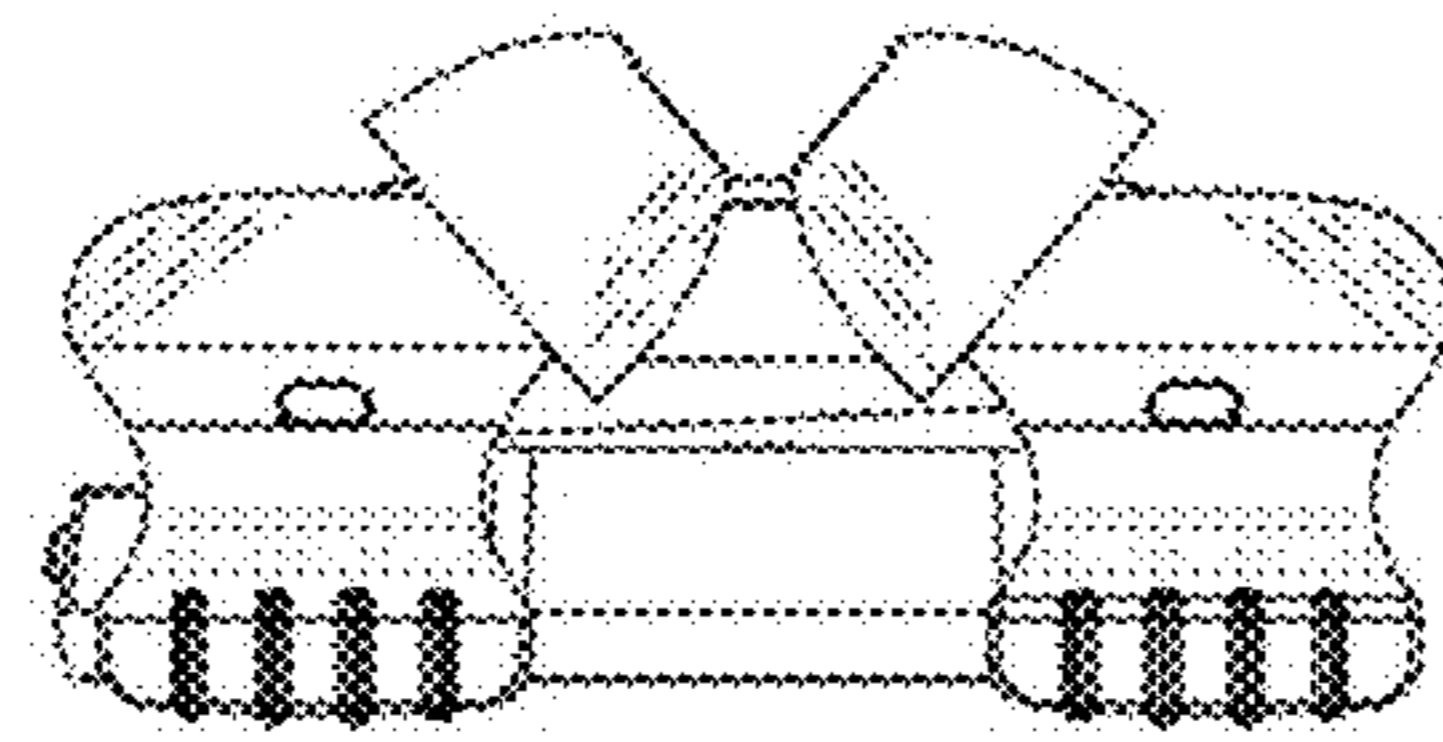


FIG.6

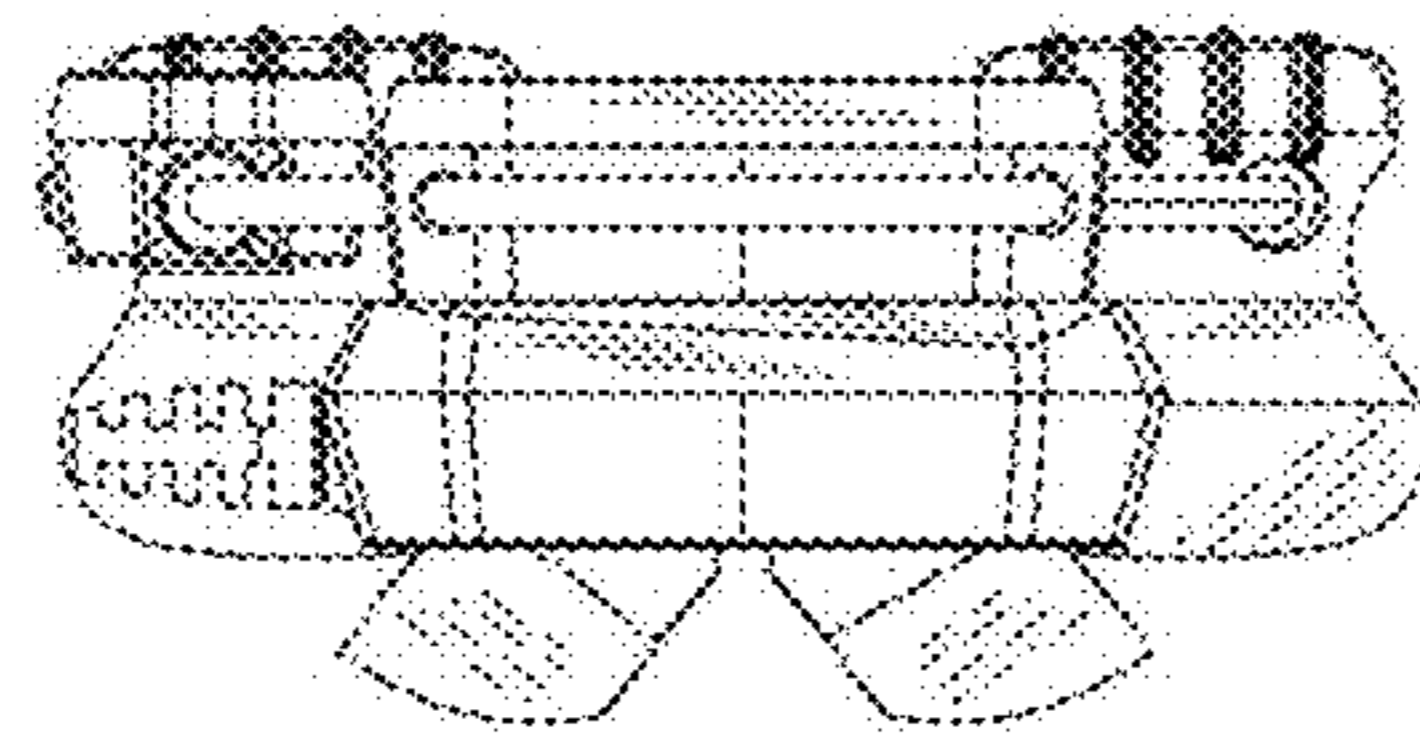


FIG. 7