

US00D839234S

(12) **United States Design Patent**  
**Bian et al.**

(10) **Patent No.:** **US D839,234 S**  
(45) **Date of Patent:** **\*\* Jan. 29, 2019**

(54) **MEDIA PLAYER**  
(71) Applicant: **Head-Direct (Kunshan) Company Limited, Kunshan (CN)**  
(72) Inventors: **Fang Bian, Kunshan (CN); Bei Ran, Foshan (CN); Hao Xiong, Foshan (CN)**  
(73) Assignee: **Head-Direct (Kunshan) Company Limited, Kunshan (CN)**  
(\*\*) Term: **15 Years**

7,647,129 B1 \* 1/2010 Griffin, Jr. .... H04B 1/3822  
700/94  
7,856,255 B2 \* 12/2010 Tsuchiya ..... G06F 1/1616  
200/11 TW  
8,175,646 B2 \* 5/2012 Rofougaran ..... G06F 1/1632  
370/310  
D699,701 S \* 2/2014 Kim ..... D14/203.7  
D712,870 S \* 9/2014 Kim ..... D14/203.7  
D717,870 S \* 11/2014 Wamble ..... D20/12  
D747,288 S \* 1/2016 Han ..... D14/203.3  
D792,371 S \* 7/2017 Kim ..... D14/203.7  
D805,497 S \* 12/2017 Huang ..... D14/203.3  
D806,050 S \* 12/2017 Dong ..... D14/203.3  
D808,357 S \* 1/2018 Kim ..... D14/203.7

(21) Appl. No.: **29/605,568**  
(22) Filed: **May 26, 2017**  
(51) **LOC (11) Cl.** ..... **14-03**  
(52) **U.S. Cl.**  
USPC ..... **D14/203.7**  
(58) **Field of Classification Search**  
USPC ..... D21/324-333; D14/341-346, 356, 432,  
D14/496, 207.3, 203.7, 507, 399-401;  
273/148 B; 463/1, 29-47; 345/156-161,  
345/168, 169, 172; 341/22, 23  
CPC .... A63F 9/00; A63F 9/24; A63F 13/00; G06F  
17/00; G06F 19/00; G07F 17/32; H01H  
9/20  
See application file for complete search history.

\* cited by examiner

*Primary Examiner* — Keli L Hill  
(74) *Attorney, Agent, or Firm* — Baker & Hostetler LLP

(57) **CLAIM**

We claim the ornamental design for a media player, as shown and described.

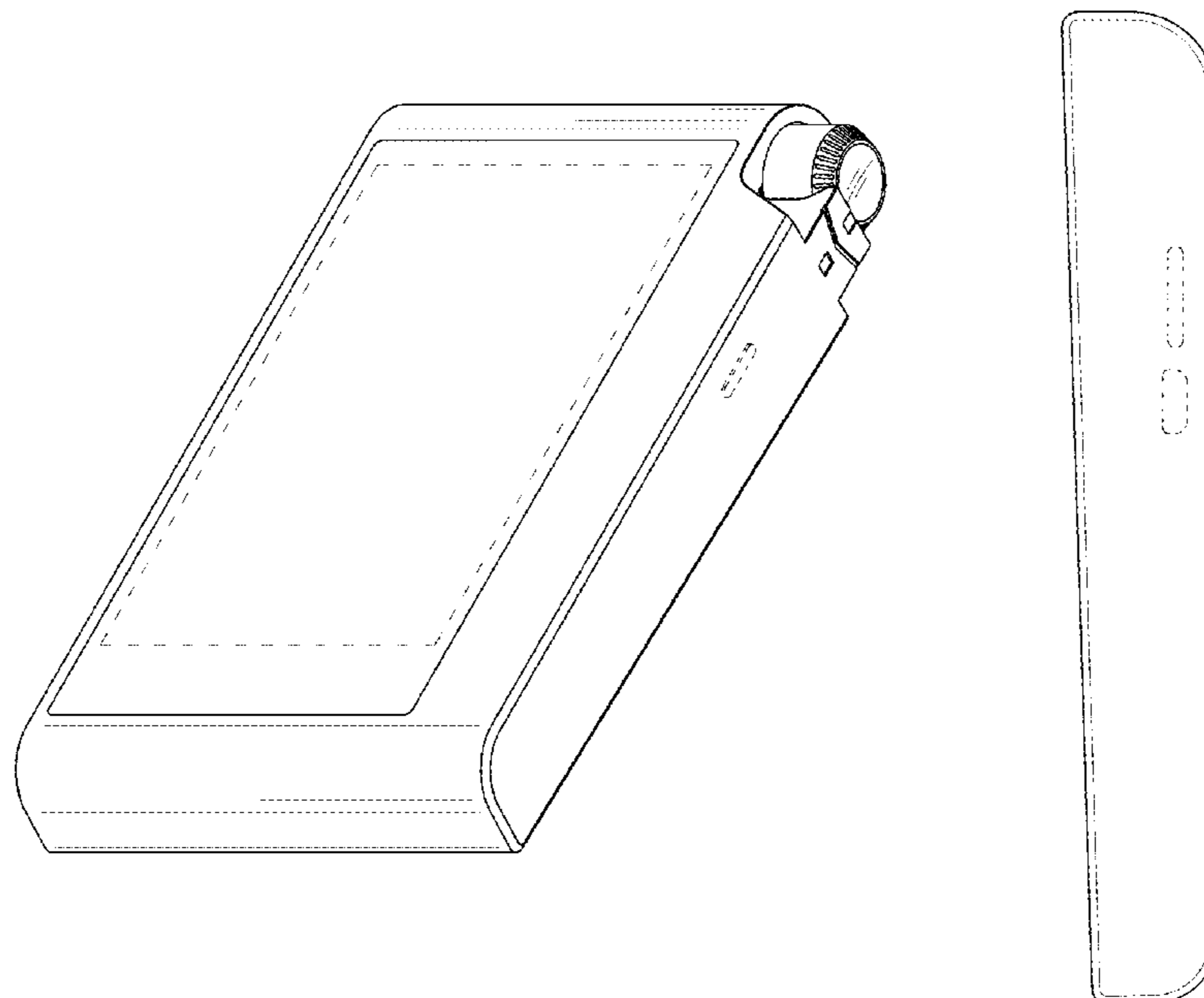
**DESCRIPTION**

FIG. 1 is a perspective view of a media player;  
FIG. 2 is a front view thereof;  
FIG. 3 is a rear view thereof;  
FIG. 4 is a top view thereof;  
FIG. 5 is a bottom view thereof;  
FIG. 6 is a right side view thereof; and,  
FIG. 7 is a left side view thereof.

The broken lines in the figures show portions of the media player that form no part of the claimed design.

**1 Claim, 4 Drawing Sheets**

(56) **References Cited**  
U.S. PATENT DOCUMENTS  
6,977,675 B2 \* 12/2005 Kotzin ..... G06F 1/1626  
345/156  
7,184,802 B2 \* 2/2007 Chadha ..... H04M 1/0208  
379/433.06



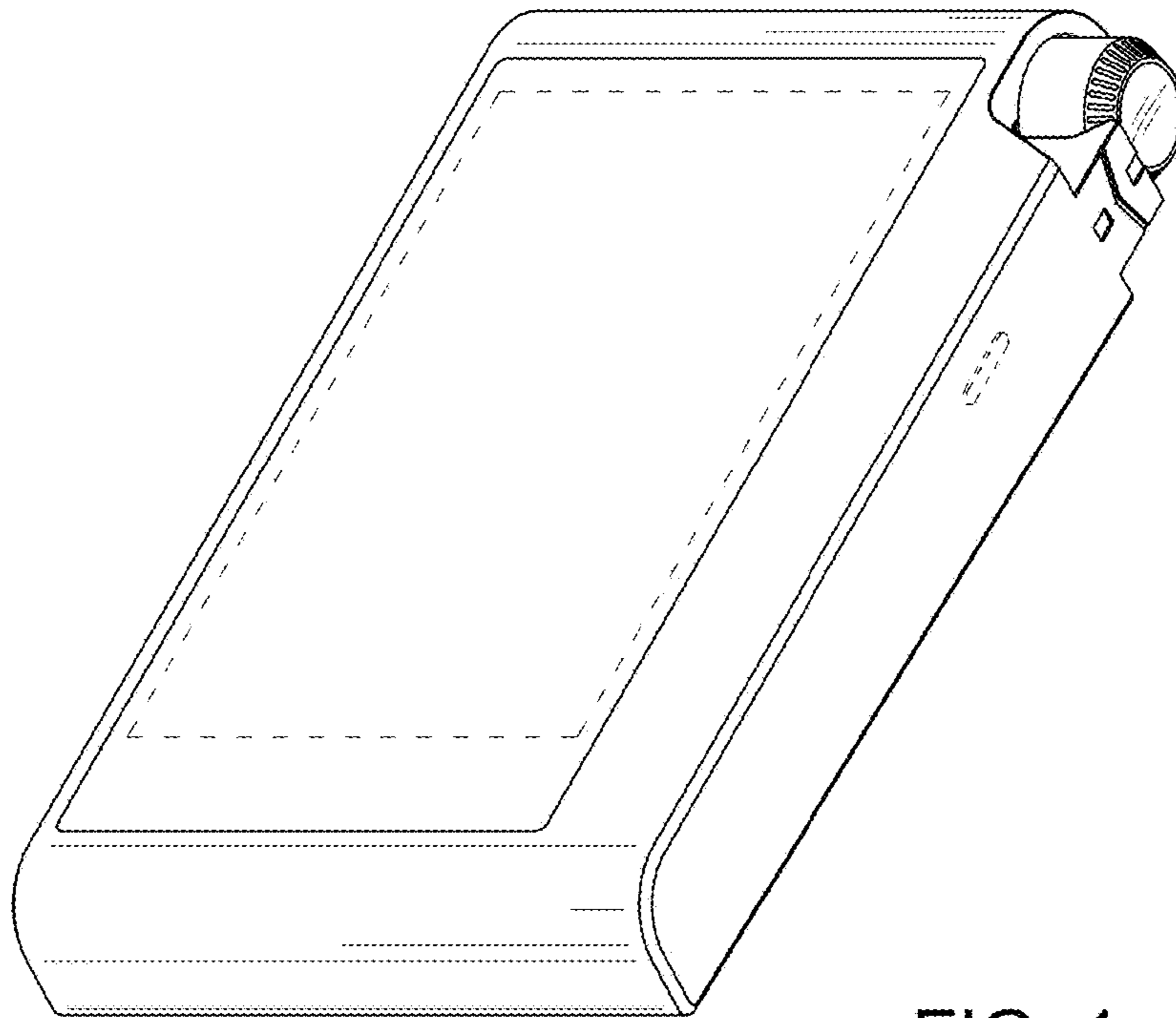


FIG. 1

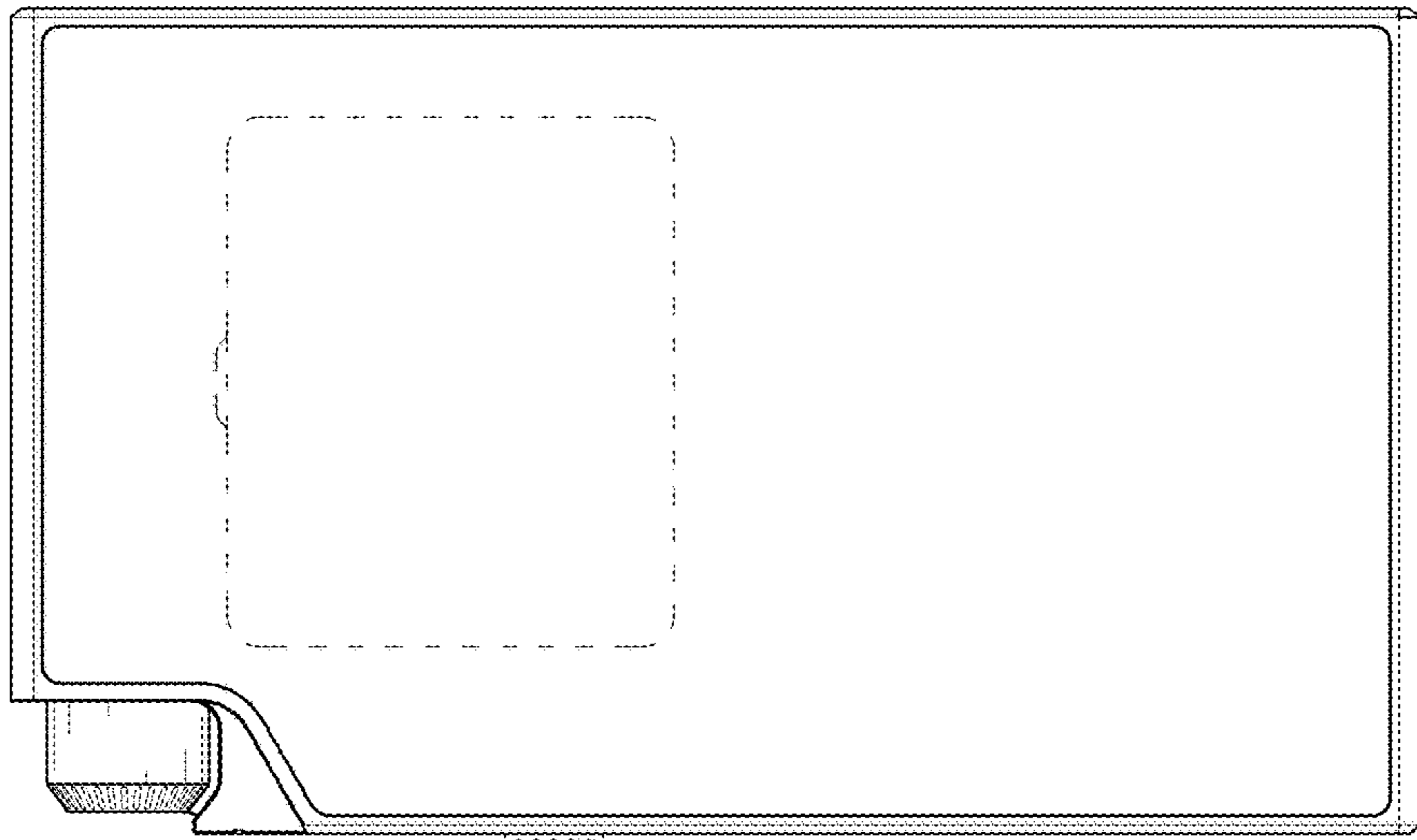


FIG. 3

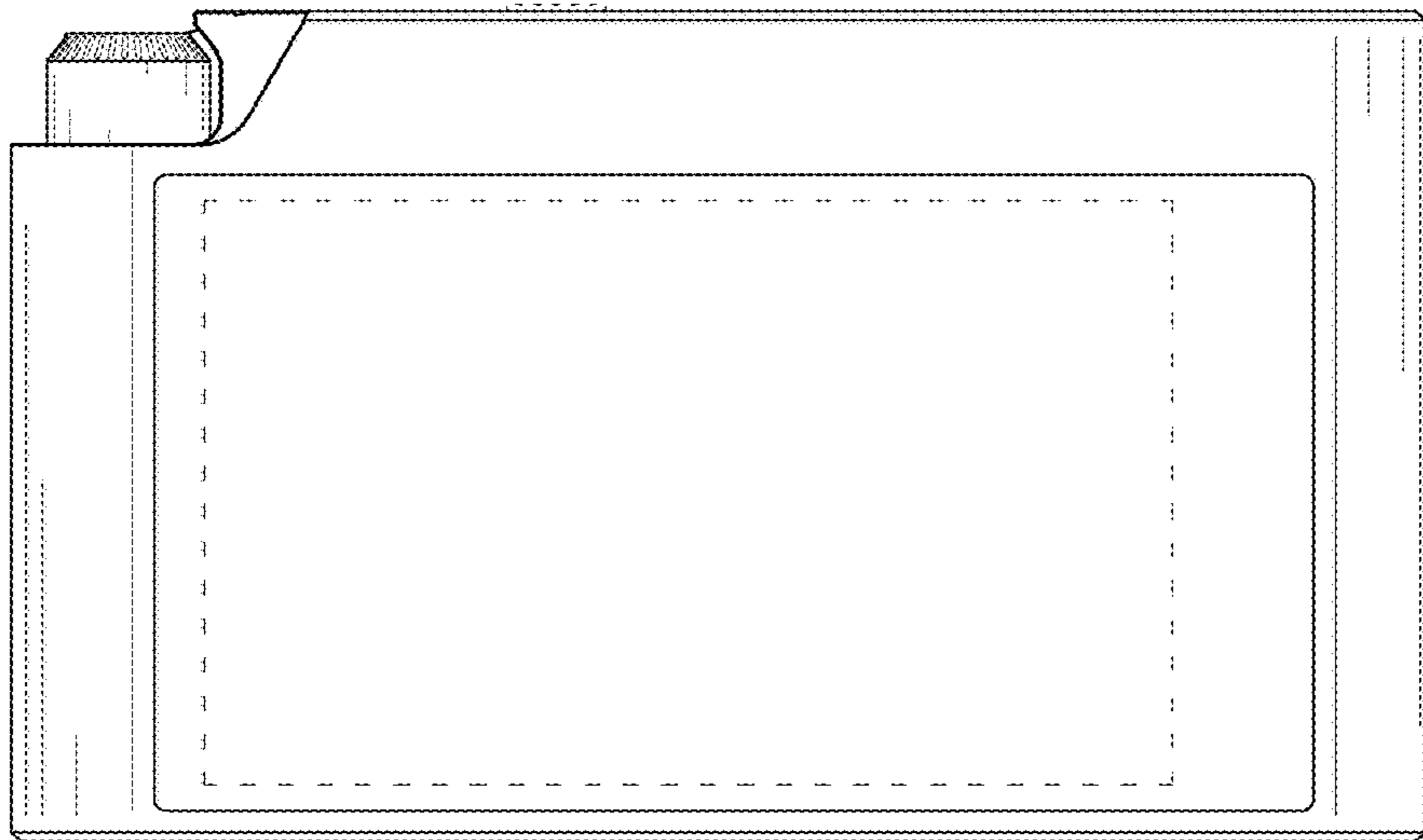


FIG. 2

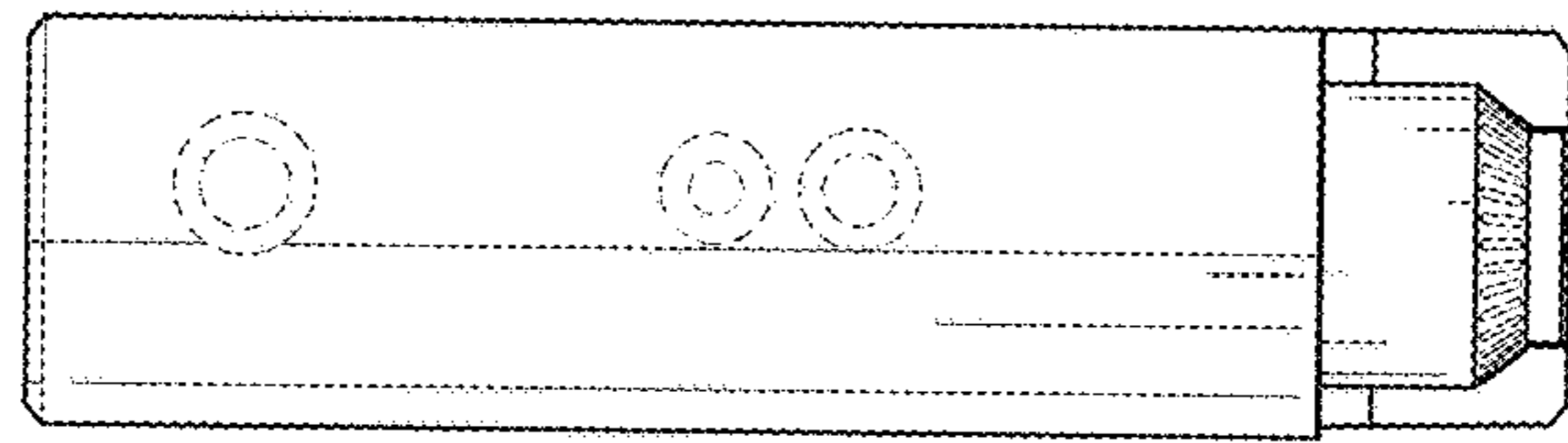


FIG. 4

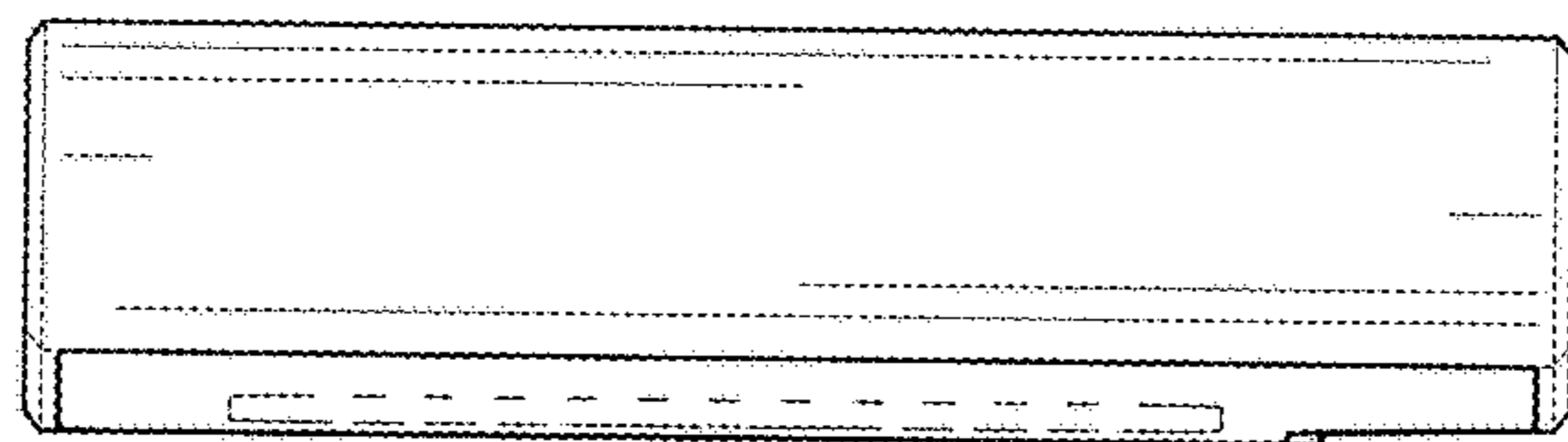


FIG. 5

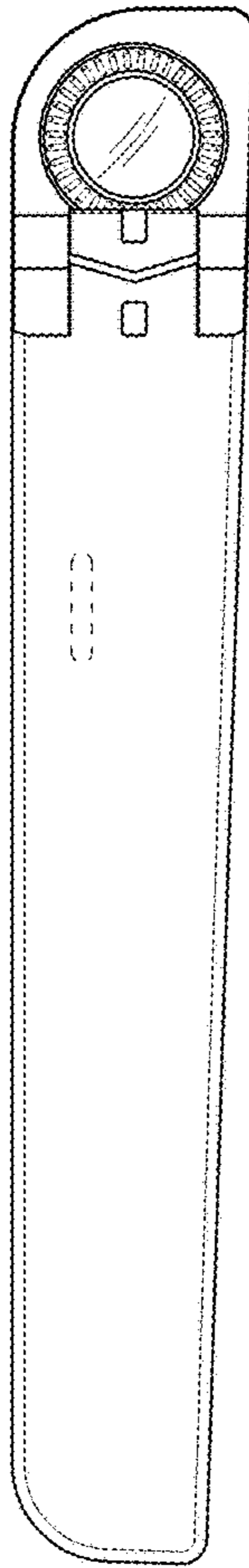


FIG. 6

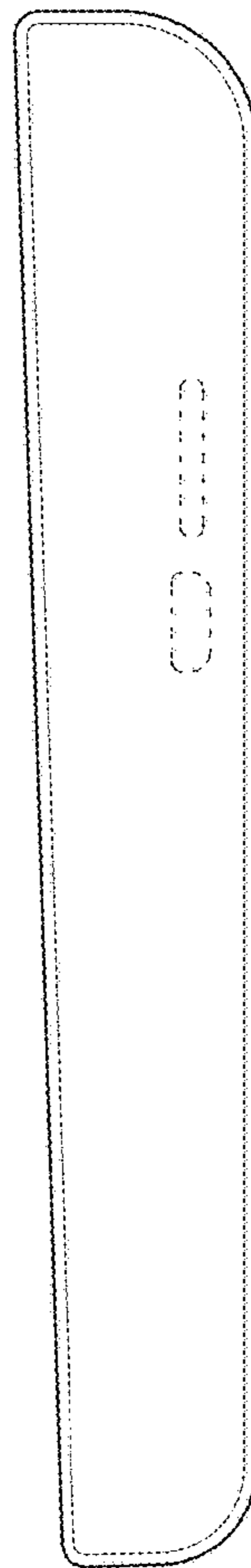


FIG. 7