



US00D839233S

(12) **United States Design Patent**  
**Bian et al.**

(10) **Patent No.:** **US D839,233 S**  
(45) **Date of Patent:** **\*\* Jan. 29, 2019**

- (54) **MEDIA PLAYER**
- (71) Applicant: **Head-Direct (Kunshan) Company Limited**, Kunshan (CN)
- (72) Inventors: **Fang Bian**, Kunshan (CN); **Bei Ran**, Foshan (CN); **Hao Xiong**, Foshan (CN)
- (73) Assignee: **Head-Direct (Kunshan) Company Limited**, Kunshan (CN)
- (\*\*) Term: **15 Years**
- (21) Appl. No.: **29/605,523**
- (22) Filed: **May 26, 2017**
- (51) **LOC (11) Cl.** ..... **14-03**
- (52) **U.S. Cl.**  
USPC ..... **D14/203.7**
- (58) **Field of Classification Search**  
USPC ..... D21/324-333; D14/341-346, 356, 432, D14/496, 207.3, 203.7, 507, 399-401; 273/148 B; 463/1, 29-47; 345/156-161, 345/168, 169, 172; 341/22, 23  
CPC .... A63F 9/00; A63F 9/24; A63F 13/00; G06F 17/00; G06F 19/00; G07F 17/32; H01H 9/20  
See application file for complete search history.

7,647,129	B1 *	1/2010	Griffin, Jr. ....	H04B 1/3822 700/94
7,856,255	B2 *	12/2010	Tsuchiya .....	G06F 1/1616 200/11 TW
8,175,646	B2 *	5/2012	Rofougaran .....	G06F 1/1632 370/310
D699,701	S *	2/2014	Kim .....	D14/203.7
D712,870	S *	9/2014	Kim .....	D14/203.7
D717,870	S *	11/2014	Wamble .....	D20/12
D747,288	S *	1/2016	Han .....	D14/203.3
D792,371	S *	7/2017	Kim .....	D14/203.7
D805,497	S *	12/2017	Huang .....	D14/203.3
D806,050	S *	12/2017	Dong .....	D14/203.3
D808,357	S *	1/2018	Kim .....	D14/203.7

\* cited by examiner

*Primary Examiner* — Keli L Hill

(74) *Attorney, Agent, or Firm* — Baker & Hostetler LLP

(57) **CLAIM**

We claim the ornamental design for a media player, as shown and described.

**DESCRIPTION**

FIG. 1 is a perspective view of a media player;  
FIG. 2 is a front view thereof;  
FIG. 3 is a rear view thereof;  
FIG. 4 is a top view thereof;  
FIG. 5 is a bottom view thereof;  
FIG. 6 is a right side view thereof; and,  
FIG. 7 is a left side view thereof.

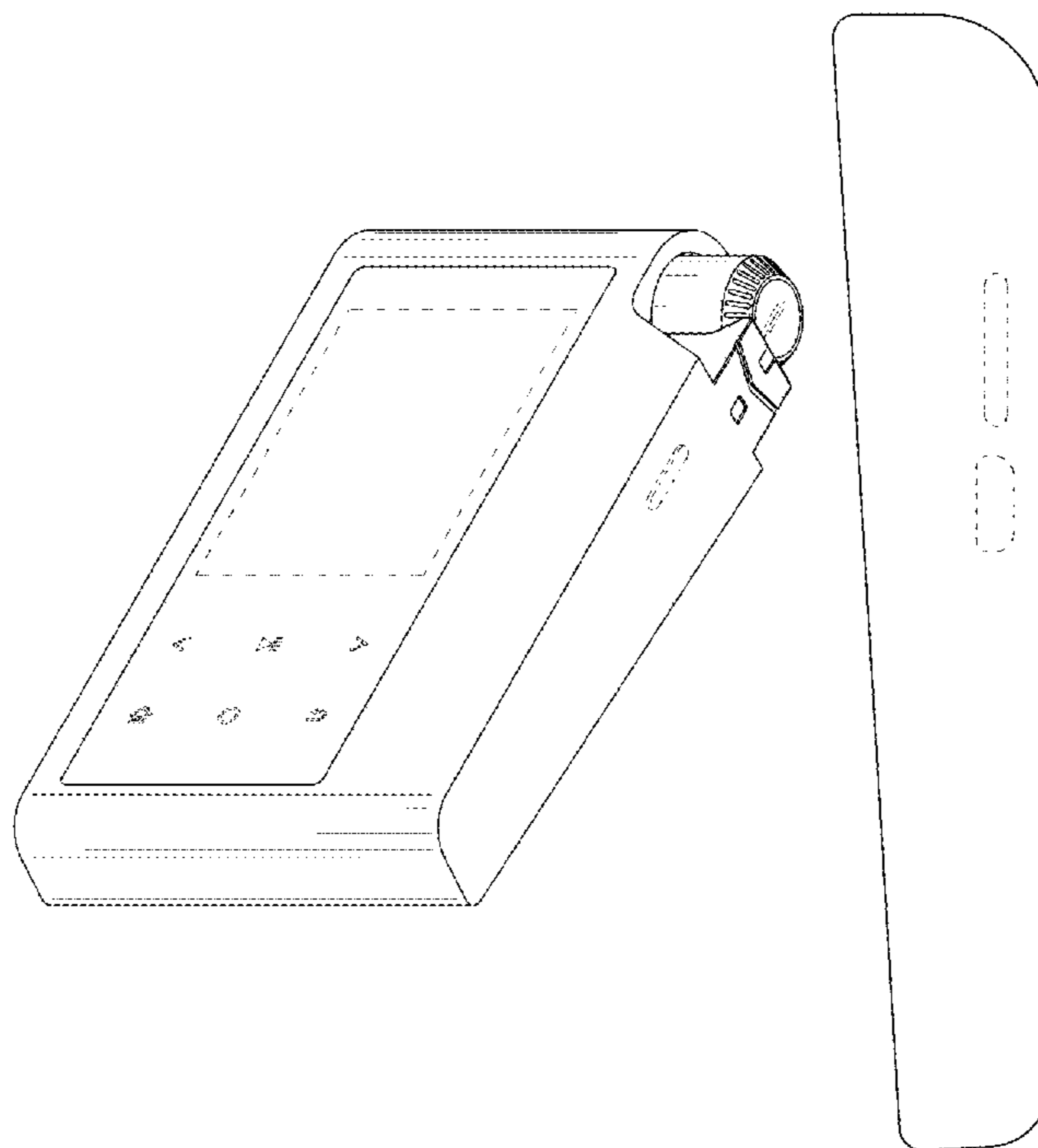
The broken lines in the figures show portions of the media player that form no part of the claimed design.

**1 Claim, 4 Drawing Sheets**

(56) **References Cited**

**U.S. PATENT DOCUMENTS**

- 6,977,675 B2 \* 12/2005 Kotzin ..... G06F 1/1626  
345/156
- 7,184,802 B2 \* 2/2007 Chadha ..... H04M 1/0208  
379/433.06



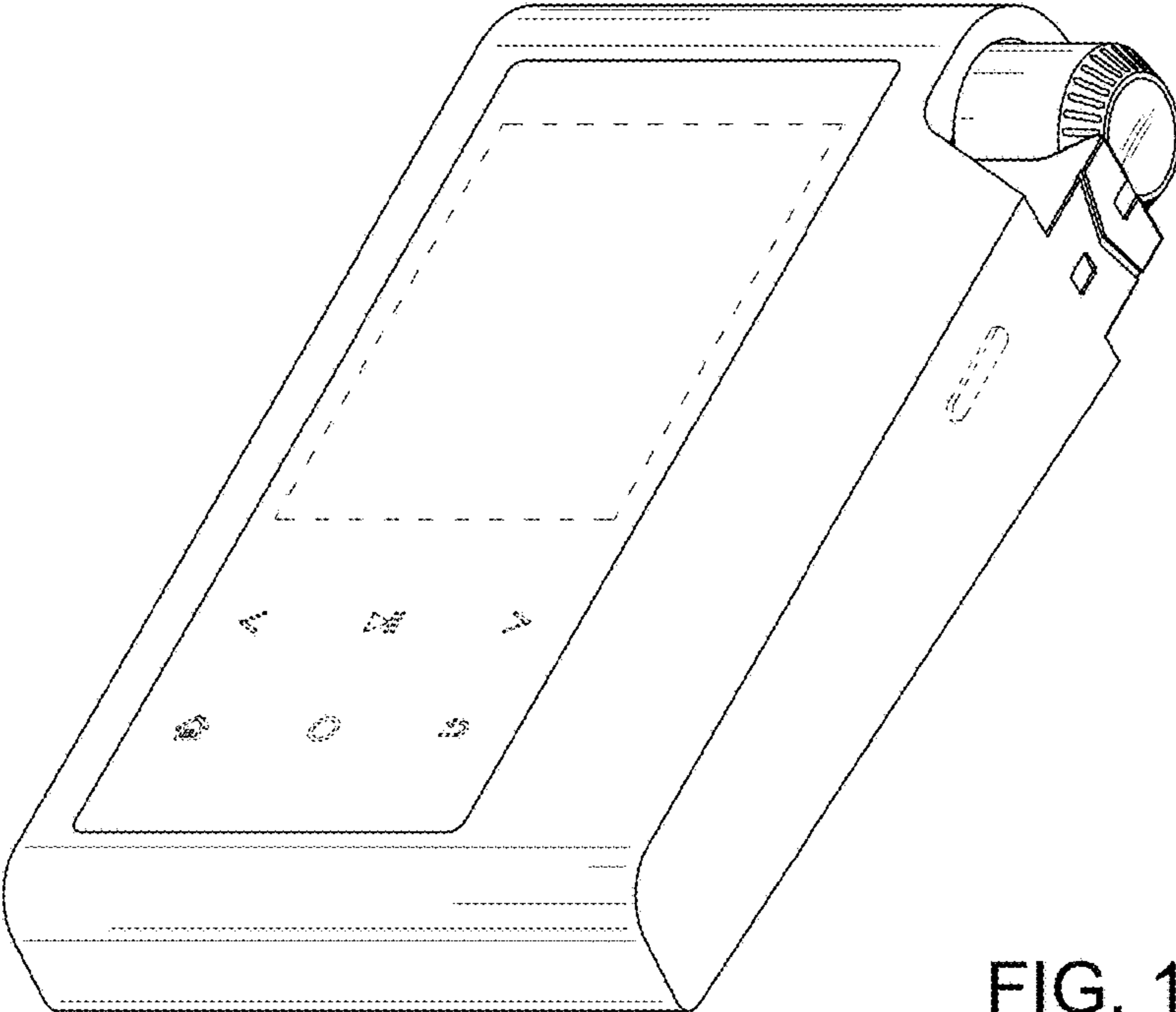


FIG. 1

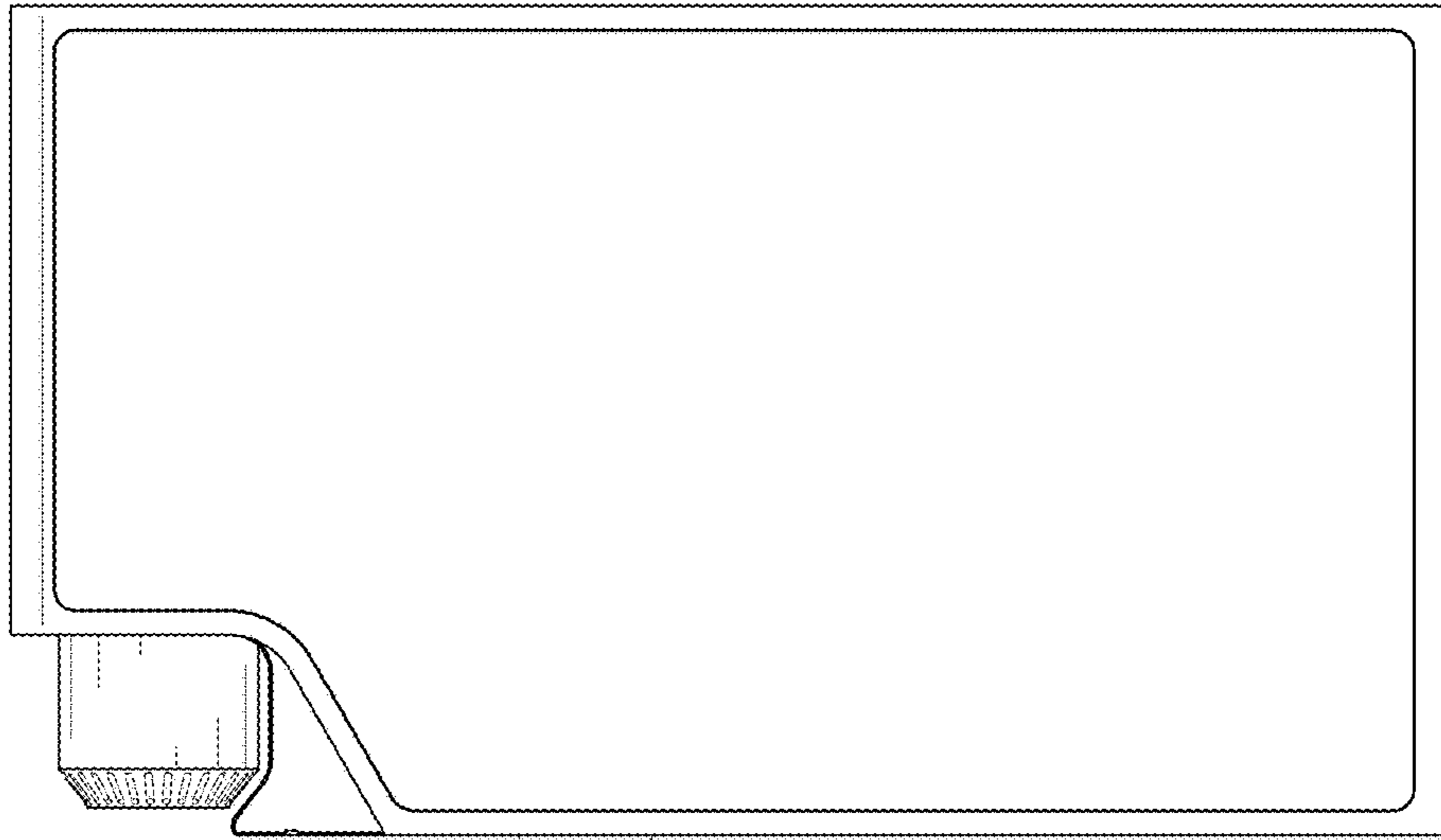


FIG. 3

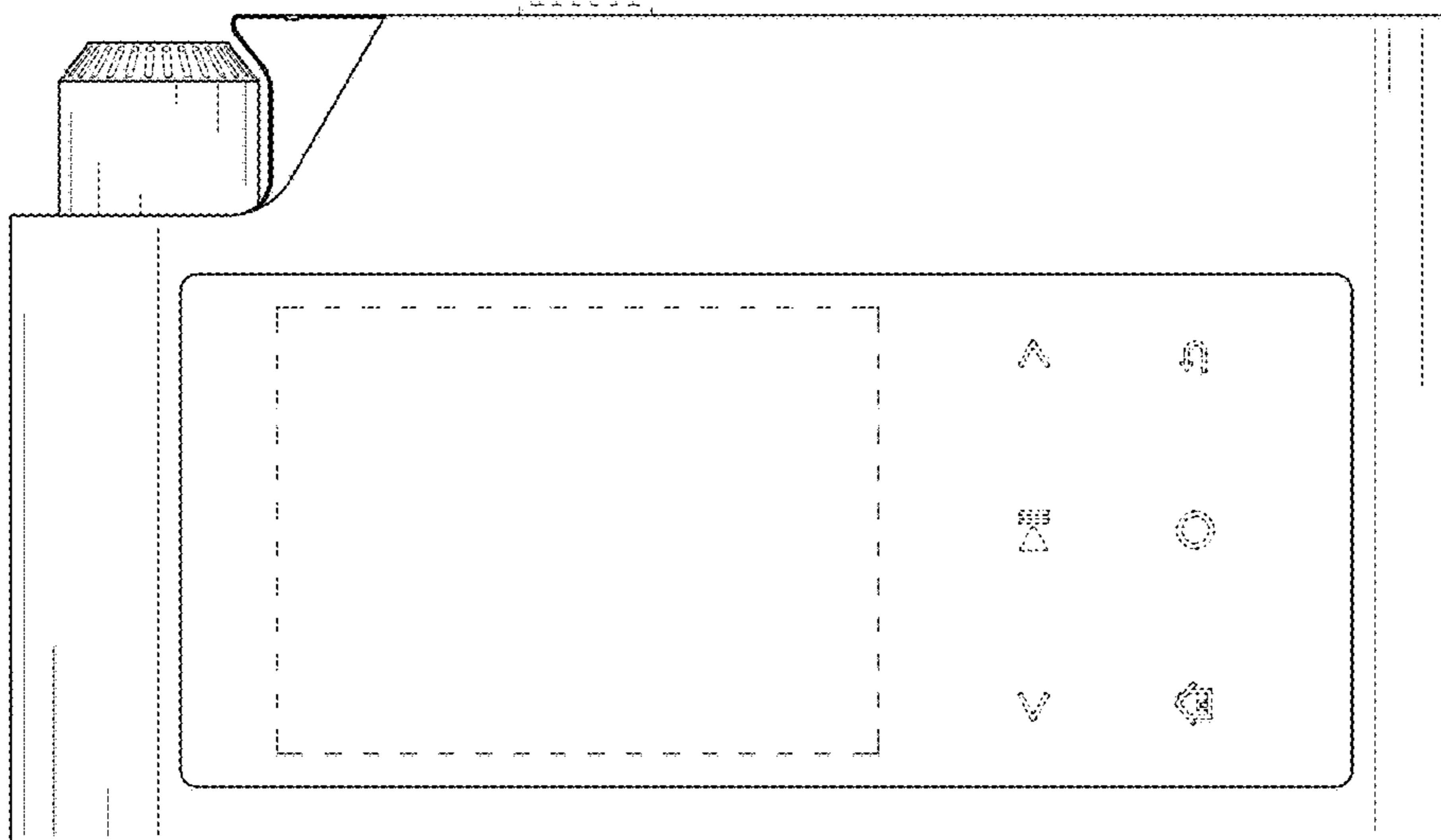


FIG. 2

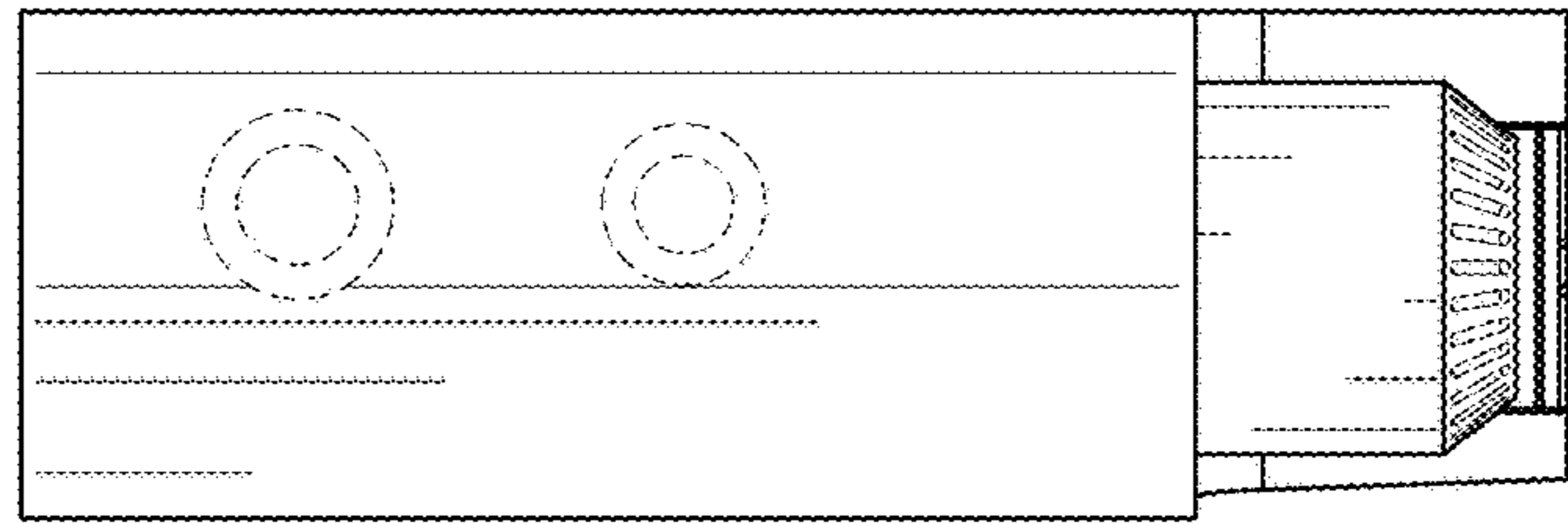


FIG. 4

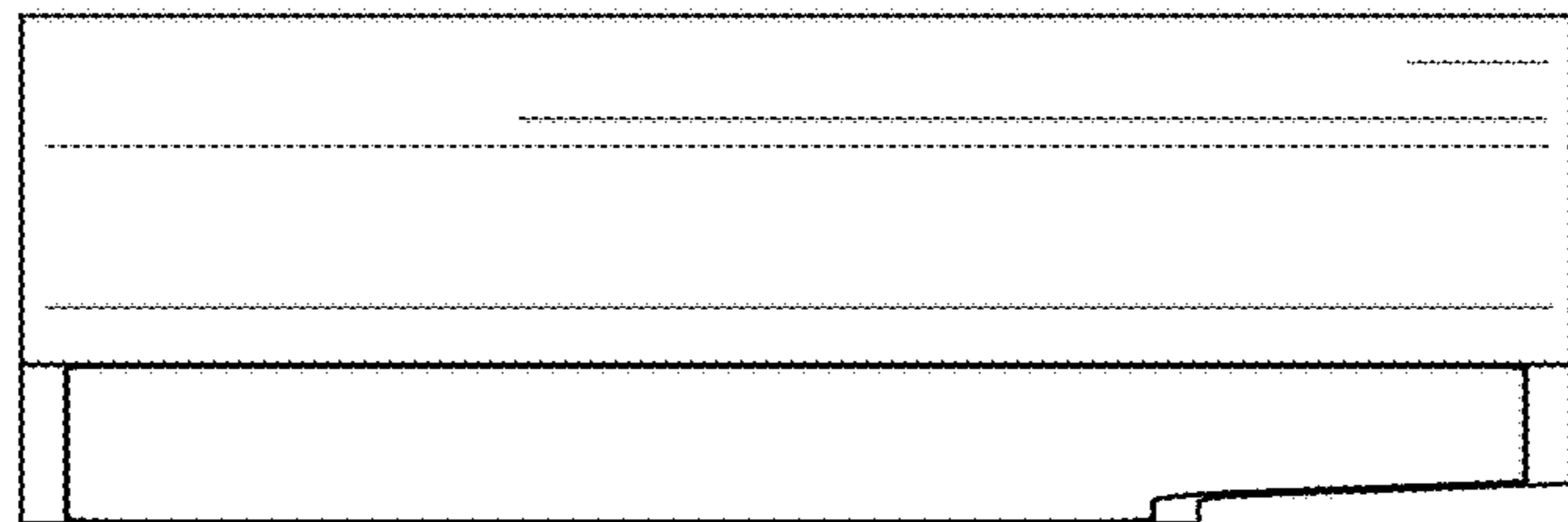


FIG. 5

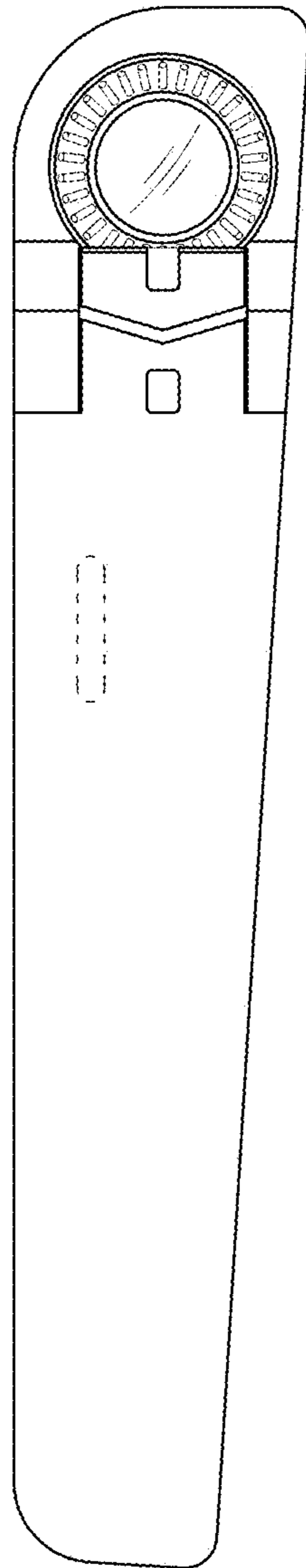


FIG. 6

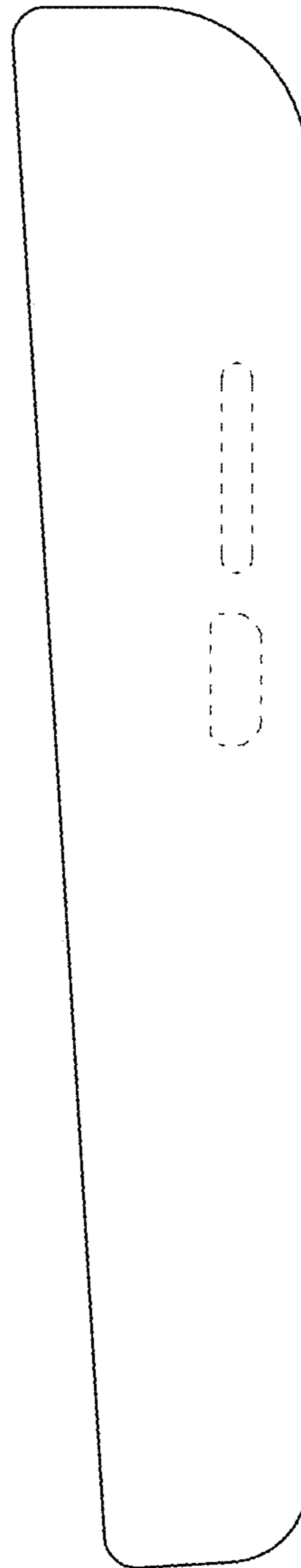


FIG. 7