



US00D839229S

(12) **United States Design Patent**
Kim et al.

(10) **Patent No.:** **US D839,229 S**

(45) **Date of Patent:** **** Jan. 29, 2019**

(54) **TV RECEIVER**

(71) Applicant: **LG ELECTRONICS INC.**, Seoul (KR)

(72) Inventors: **Byungsoo Kim**, Seoul (KR); **Seongahn Jeon**, Seoul (KR); **Sangho Lee**, Seoul (KR); **Hyuntae Ahn**, Seoul (KR)

(73) Assignee: **LG Electronics Inc.**, Seoul (KR)

(**) Term: **15 Years**

(21) Appl. No.: **35/502,938**

(22) Filed: **Nov. 8, 2016**

(80) **Hague Agreement Data**

Int. Filing Date: **Nov. 8, 2016**
Int. Reg. No.: **DM/093721**
Int. Reg. Date: **Nov. 8, 2016**
Int. Reg. Pub. Date: **May 12, 2017**

(51) **LOC (11) Cl.** **14-03**

(52) **U.S. Cl.**
USPC **D14/126**

(58) **Field of Classification Search**
USPC D14/125–134, 239, 336, 371, 373–377, D14/379–380, 382, 447, 448, 450, 451, D14/452; D21/329, 332, 515; D10/26
CPC G06F 1/16; G06F 1/1601; G06F 1/1637; H04N 5/64; H05K 5/0017; H05K 5/0204; H05K 5/0217

See application file for complete search history.

(56) **References Cited**

U.S. PATENT DOCUMENTS

D259,184 S * 5/1981 Francis D10/15
D274,703 S * 7/1984 Vogel D10/15
D346,965 S * 5/1994 Wolff D10/1
D497,485 S * 10/2004 Resultan D6/300
D550,636 S * 9/2007 DeMaio D14/126
D564,990 S * 3/2008 Ueno D14/126
D615,509 S * 5/2010 Song D14/126

D644,620 S * 9/2011 Song D14/126
D656,914 S * 4/2012 Shin D14/126
D690,674 S * 10/2013 Lu D14/126
D712,867 S * 9/2014 Vats D14/138 AB
D727,864 S * 4/2015 Kim D14/126

(Continued)

OTHER PUBLICATIONS

OLED65E6P, posted at LG, comment posted Jul. 2017. [online] [site visited Apr. 27, 2018]. Available from Internet. <URL: <http://www.lg.com/us/tvs/lg-OLED65E6P-oled-4k-tv>> (Year: 2017).*

(Continued)

Primary Examiner — George D. Kirschbaum

Assistant Examiner — Kathleen L Jones

(74) *Attorney, Agent, or Firm* — Birch, Stewart, Kolasch & Birch, LLP

(57) **CLAIM**

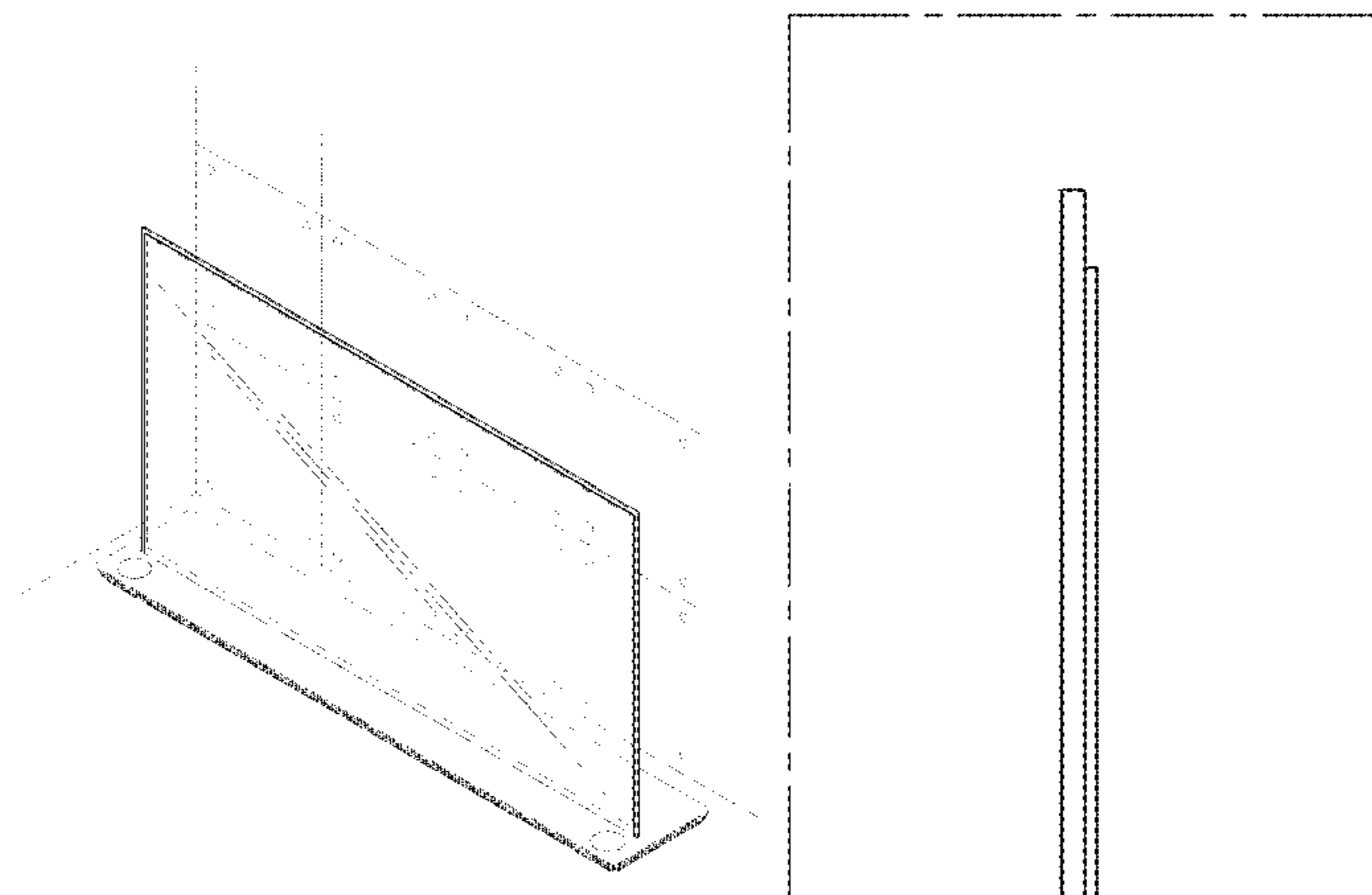
The ornamental design for a TV receiver, as shown and described.

DESCRIPTION

- 1. TV receiver
- 1.1 : Perspective
- 1.2 : Front
- 1.3 : Back
- 1.4 : Left
- 1.5 : Right
- 1.6 : Top
- 1.7 : Bottom
- 1.8 : Reference
- 1.9 : Enlarged
- 1.10 : Enlarged

The broken lines showing the base of the TV receiver are for the purpose of illustrating portions of the article; the broken lines showing a room corner with paneled wall in reproduction 1.8 are for the purpose of illustrating environmental structure; all broken lines form no part of the claimed design.

1 Claim, 7 Drawing Sheets



(56)

References Cited

U.S. PATENT DOCUMENTS

D735,153	S	*	7/2015	Snyder	D14/126
D737,234	S	*	8/2015	Kim	D14/126
D744,442	S	*	12/2015	Kim	D14/126
D753,618	S	*	4/2016	Ryu	D14/126
D753,637	S	*	4/2016	Shin	D14/239
D758,982	S	*	6/2016	Moon	D14/126
D759,611	S	*	6/2016	Kim	D14/126
D762,599	S	*	8/2016	Moon	D14/126
D766,860	S	*	9/2016	Won	D14/126
D769,240	S	*	10/2016	Yu	D14/336
D807,313	S	*	1/2018	Kim	D14/126
D807,846	S	*	1/2018	Kim	D14/126
D808,668	S	*	1/2018	Tsuchiyama	D6/332
D811,357	S	*	2/2018	Won	D14/126
D812,028	S	*	3/2018	Kim	D14/126
D813,832	S	*	3/2018	Kim	D14/126
D813,833	S	*	3/2018	Won	D14/126
D813,834	S	*	3/2018	Won	D14/126
D814,465	S	*	4/2018	Kim	D14/374
D826,886	S	*	8/2018	Cha	D14/126
2017/0079149	A1	*	3/2017	Lee	H01L 51/524

OTHER PUBLICATIONS

Pachal, Pete, You have to see LG's transparent TV from the future, posted at Mashable, posting date Jan. 4, 2017. [online] [site visited Apr. 27, 2018]. Available from Internet. <URL: <https://mashable.com/2017/01/04/lg-display-transparent-tv/#u2kZPEgaosqk>> (Year: 2017).*

Samsung shows off see-through and mirrored OLED displays, posted at Trusted Reviews, posting date Jun. 10, 2015. [online] [site

visited Apr. 27, 2018]. Available from Internet. <URL: <http://www.trustedreviews.com/news/samsung-shows-off-see-through-and-mirrored-oled-displays-2929478>> (Year: 2015).*

Transparent TV, posted at dornob, posting date Aug. 14, 2011. [online] [site visited Apr. 27, 2018]. Available from Internet. <URL: <https://web.archive.org/web/20110814121147/https://dornob.com/transparent-tv-sleek-clean-see-through-screen-design/>> (Year: 2011).*

The Future of Screen Technology, posted at Tech4Globe, posting date Dec. 28, 2010. [online] [site visited Apr. 27, 2018]. Available from Internet. <URL: <http://www.tech4globe.com/the-future-of-screen-technology.html>> (Year: 2010).*

Acrylic Sign Holder with Magnets, posted at Displays2Go, review date May 15, 2017. [online] [site visited Apr. 13, 2018]. Available from Internet. <URL: <https://www.displays2go.com/P-21732/Stand-Up-Picture-Frame-Closes-with-Magnets>> (Year: 2017).*

Chong Seng, Ng, LG Signature G6 OLED TV review, posted at HardwareZone, posting date Dec. 11, 2016. [online] [site visited Apr. 13, 2018]. Available from Internet. <URL: <https://www.hardwarezone.com.sg/review-lg-signature-g6-oled-tv-review-4k-hdr-tv-beat>> (Year: 2016).*

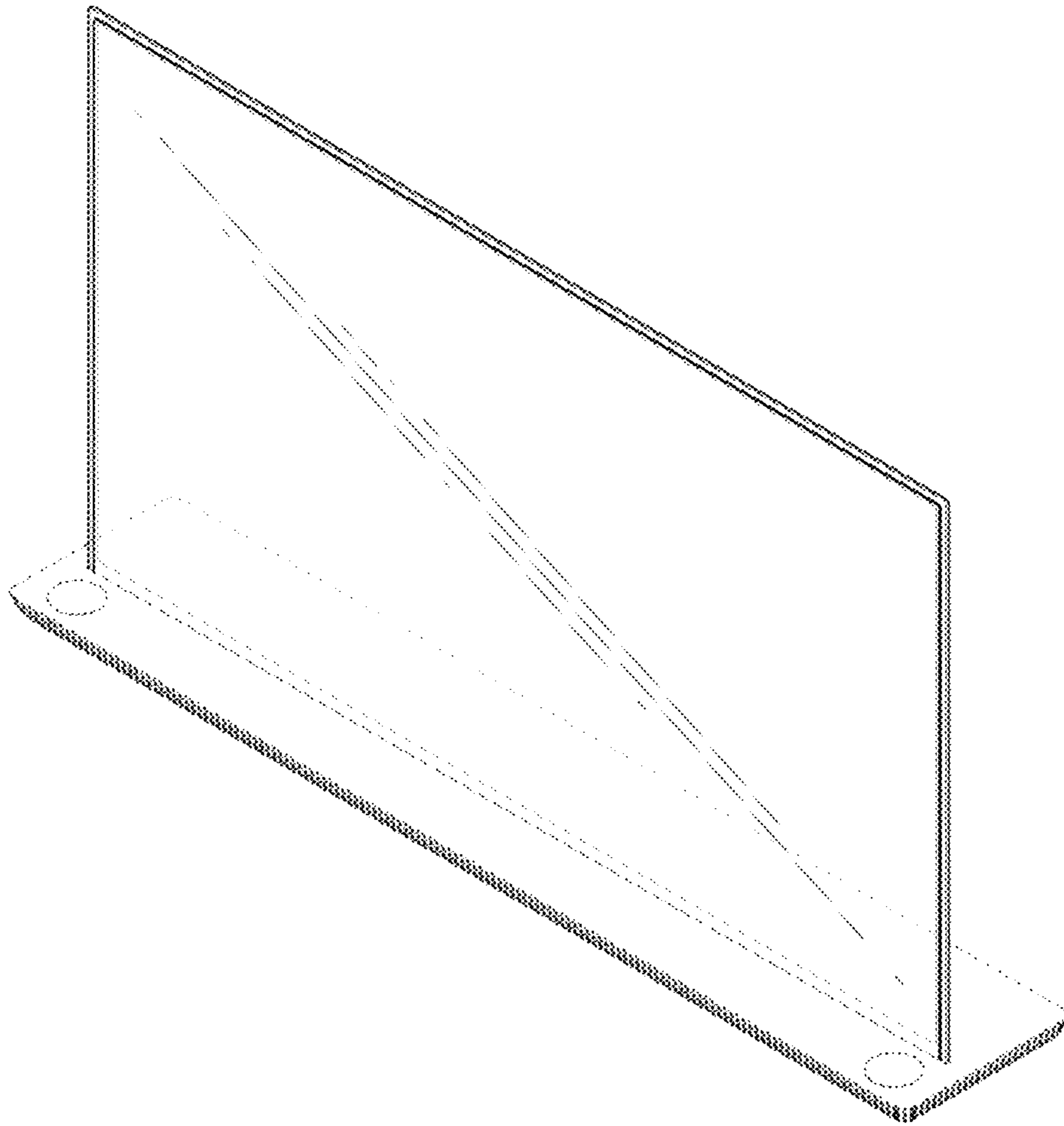
TV Stand vs Wall Unit, posted at Medium, posting date Nov. 28, 2016. [online] [site visited Apr. 13, 2018]. Available from Internet. <URL: <https://medium.com/@furniturenyc.net/tv-stand-vs-wall-unit-bcee02a90d6b>> (Year: 2016).*

LG OLED65E6V review, posted at What Hi-Fi, posting date Jun. 16, 2016. [online] [site visited Apr. 13, 2018]. Available from Internet. <URL: <https://www.whathifi.com/lg/oled65e6v/review>> (Year: 2016).*

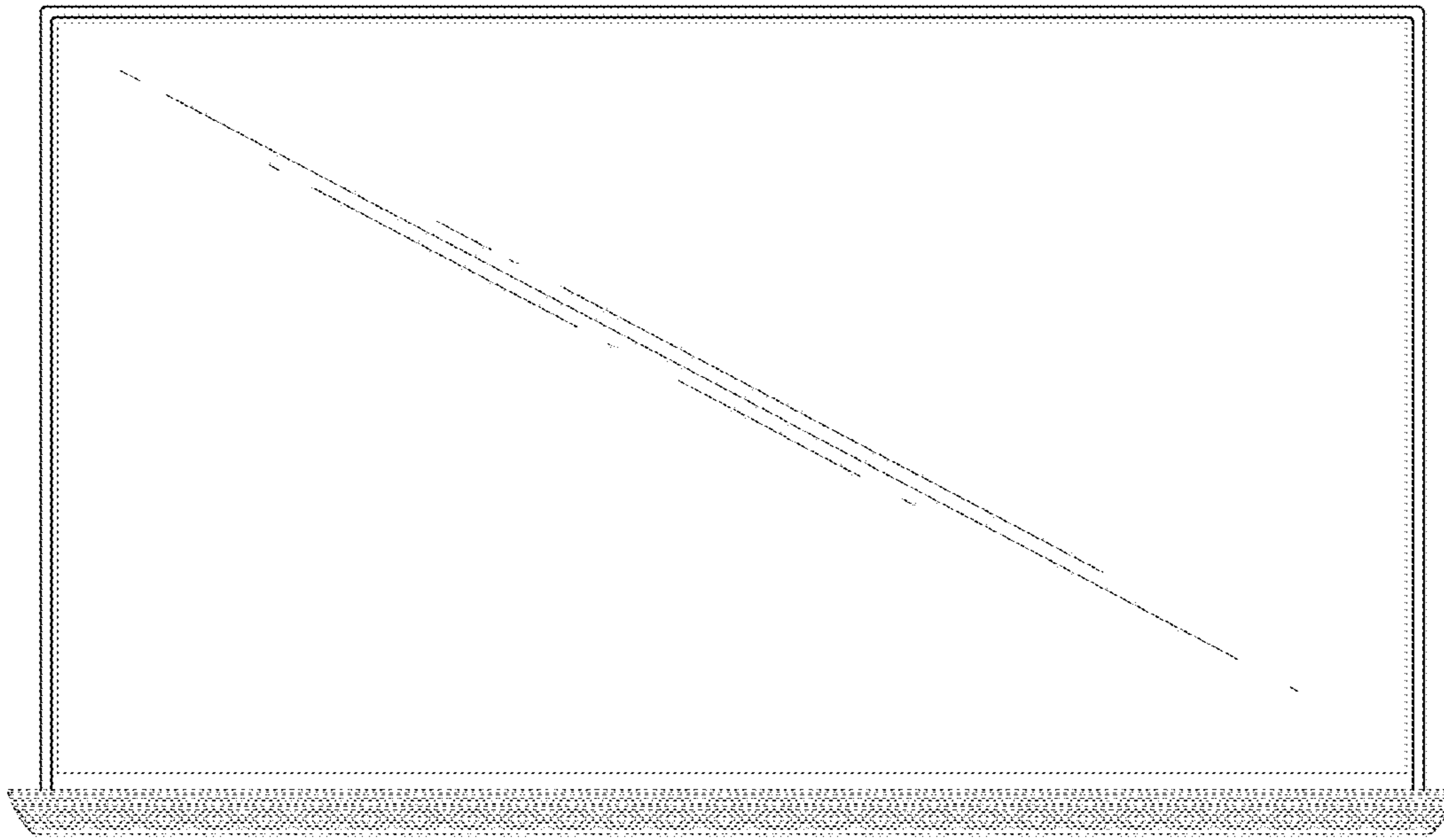
Tech ARP, The Samsung Mirror & Transparent OLED Displays, posted at YouTube, posting date Feb. 16, 2016. [Site visited Nov. 1, 2018] URL: <<https://www.youtube.com/watch?v=SYQUCpLIc8U>> (Year: 2016).*

* cited by examiner

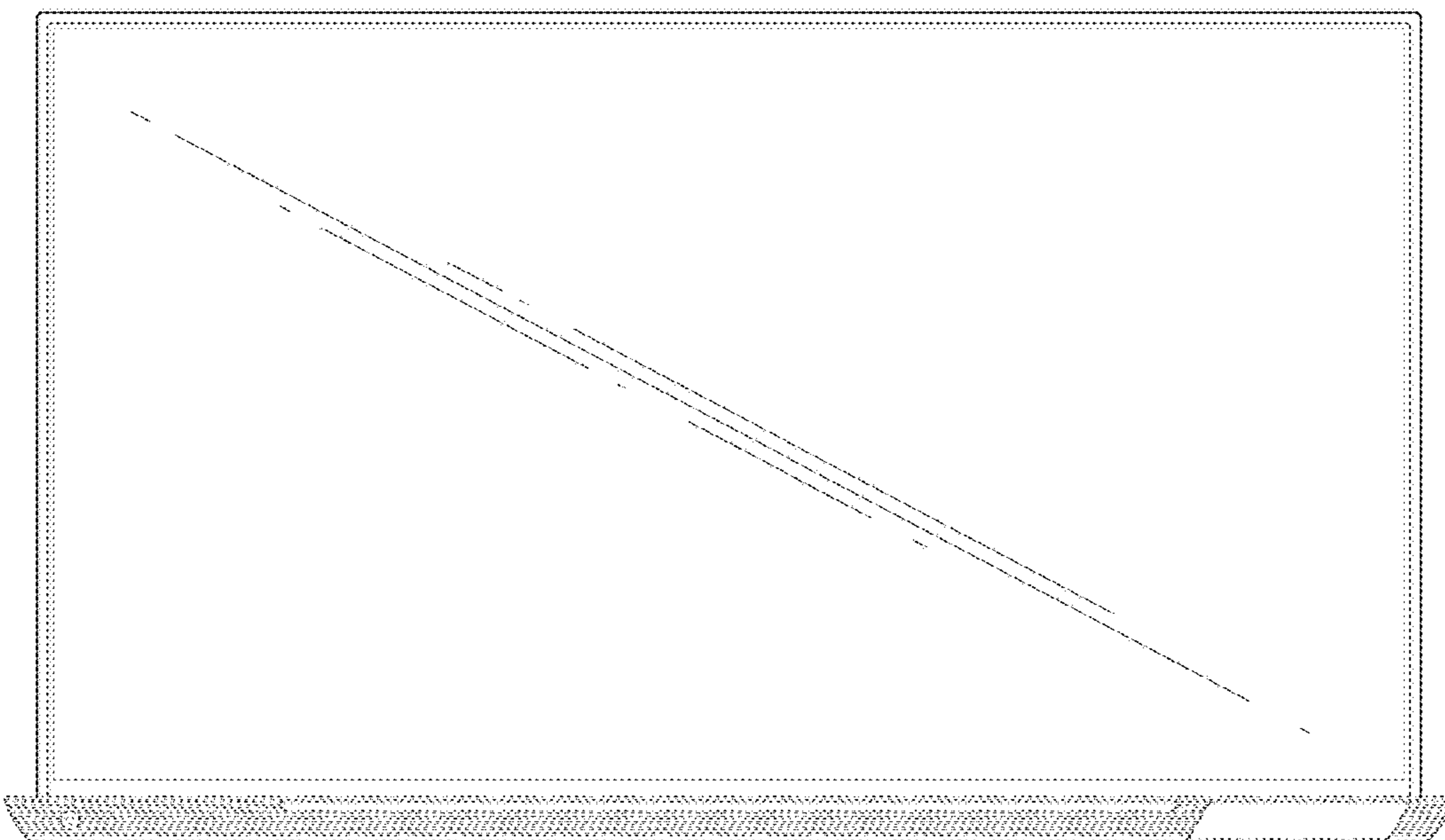
1.1



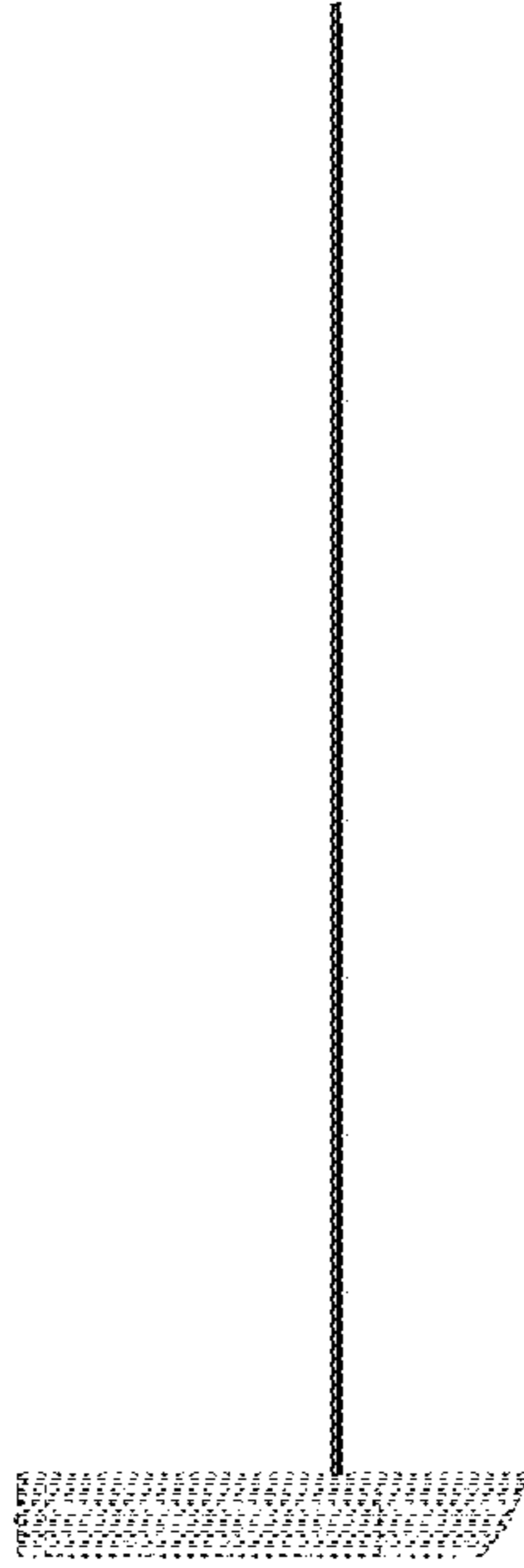
1.2



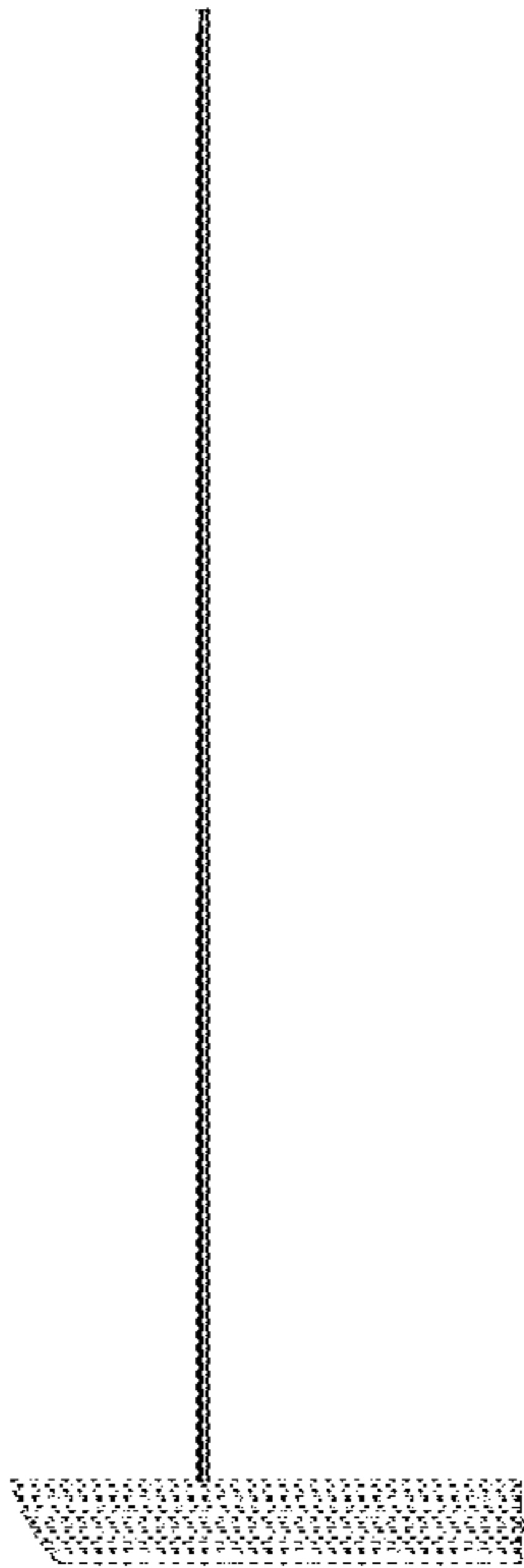
1.3



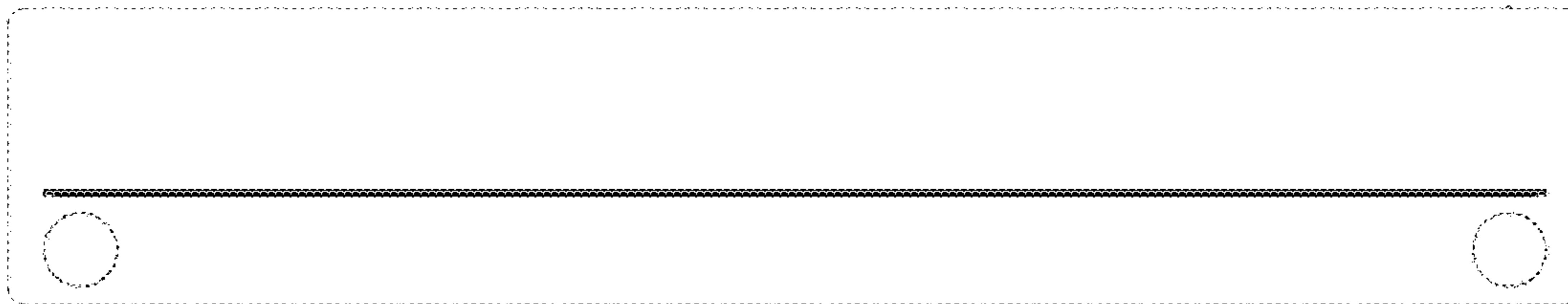
1.4



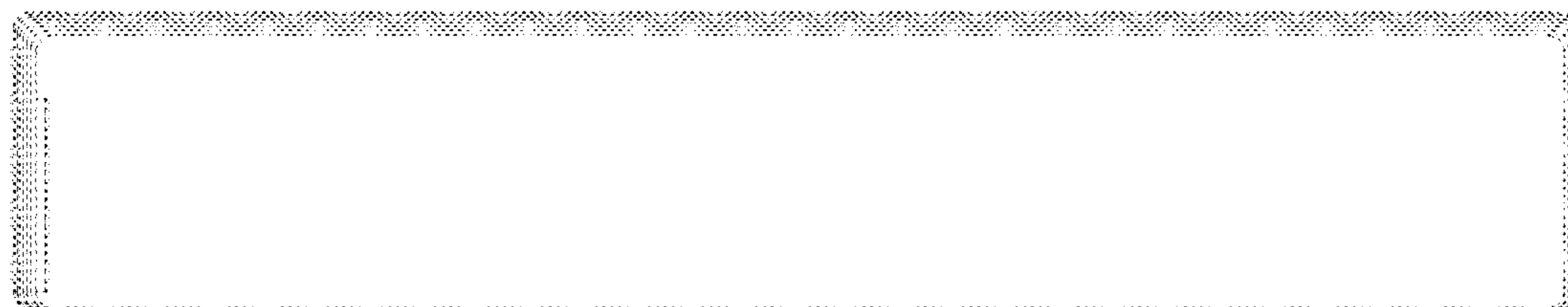
1.5



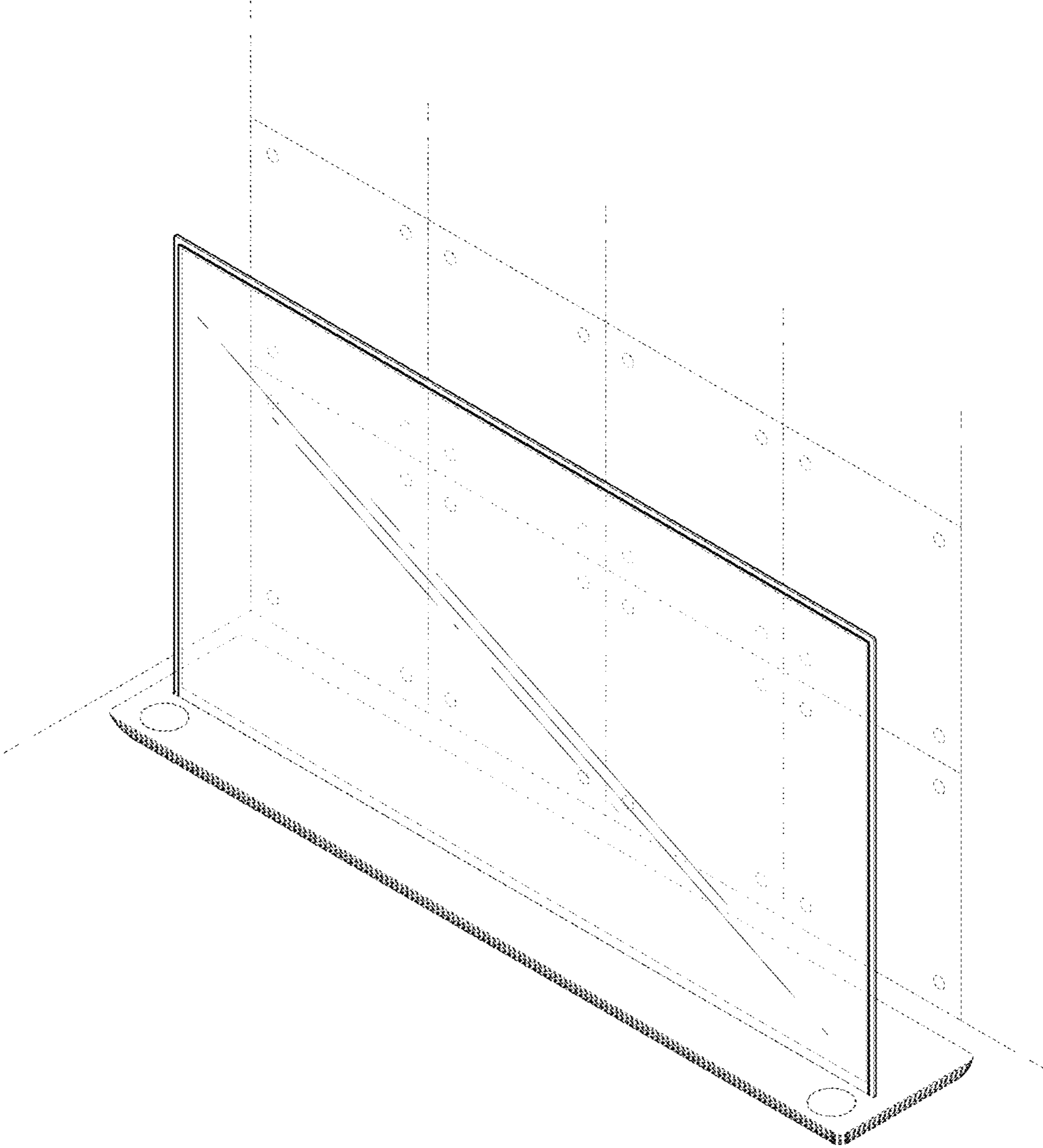
1.6



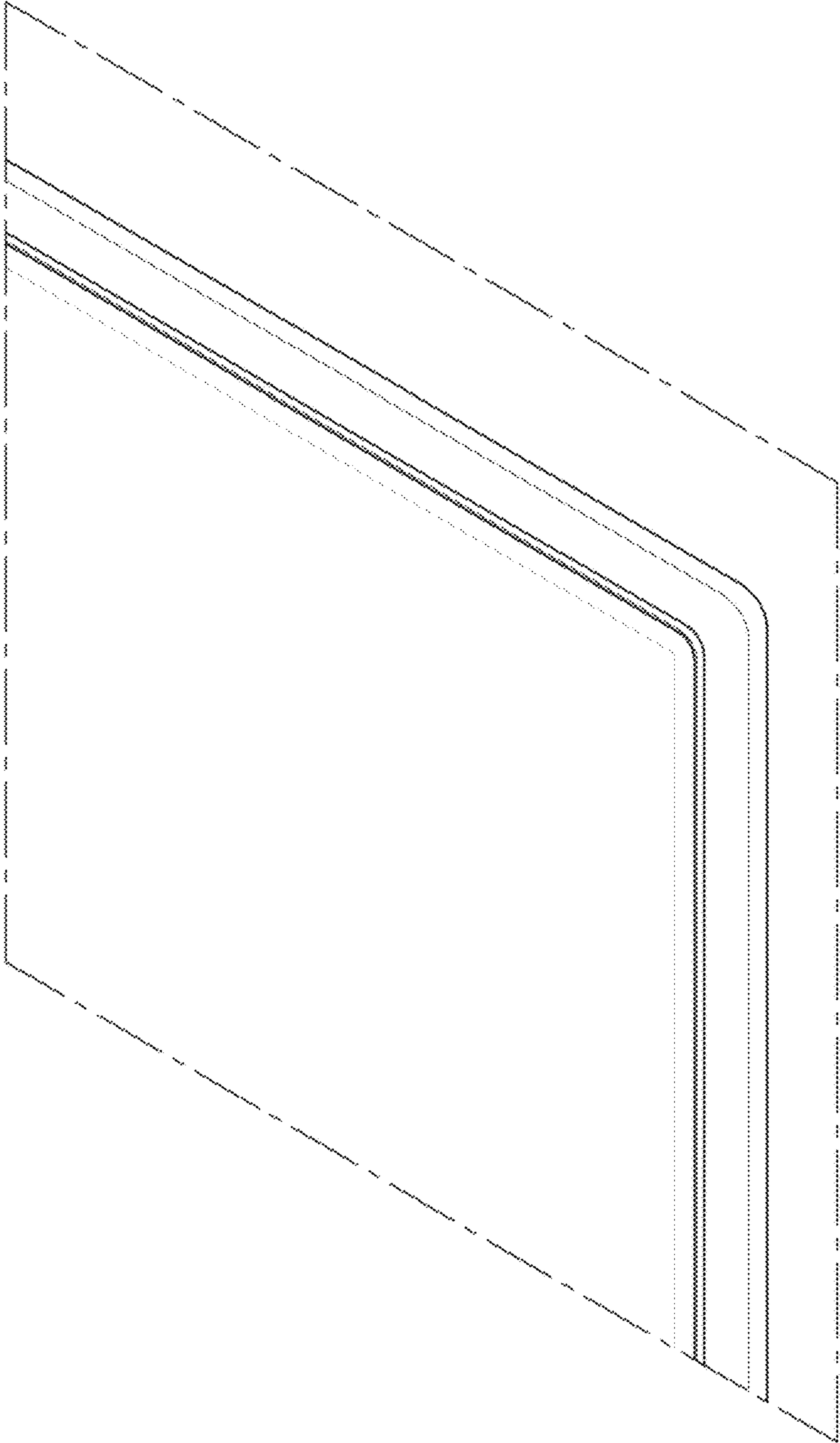
1.7



1.8



1.9



1.10

