



US00D839228S

(12) **United States Design Patent**  
**Kim et al.**

(10) **Patent No.:** **US D839,228 S**  
(45) **Date of Patent:** **\*\* Jan. 29, 2019**

(54) **TV RECEIVER**

(71) Applicant: **LG ELECTRONICS INC.**, Seoul (KR)

(72) Inventors: **Huisik Kim**, Seoul (KR); **Hodong Hwang**, Seoul (KR)

(73) Assignee: **LG ELECTRONICS INC.**, Seoul (KR)

(\*\*) Term: **15 Years**

(21) Appl. No.: **35/502,747**

(22) Filed: **Oct. 6, 2016**

(80) **Hague Agreement Data**

Int. Filing Date: **Oct. 6, 2016**

Int. Reg. No.: **DM/092980**

Int. Reg. Date: **Oct. 6, 2016**

Int. Reg. Pub. Date: **Apr. 7, 2017**

(30) **Foreign Application Priority Data**

Apr. 14, 2016 (KR) ..... 30-2016-0017703

(51) **LOC (11) Cl.** ..... **14-03**

(52) **U.S. Cl.**  
USPC ..... **D14/126**

(58) **Field of Classification Search**  
USPC ..... D14/125-134, 239, 336, 371, 373-377,  
D14/447, 448, 450, 451, 452; D21/329,  
(Continued)

(56) **References Cited**

**U.S. PATENT DOCUMENTS**

D290,557 S \* 6/1987 Salvati ..... D6/363  
D467,920 S \* 12/2002 Chen ..... D14/375

(Continued)

**OTHER PUBLICATIONS**

Hot Tips for Buying a Cool TV, Part 3-A: Wall Mount or Stand, posted at Samsung Global Newsroom, posting date Dec. 11, 2015. [online] [site visited Feb. 28, 2018]. Available from Internet. <URL: <https://news.samsung.com/global/hot-tips-for-choosing-a-cool-tv-part-3-a-wall-mount-or-stand>> (Year: 2015).\*

(Continued)

*Primary Examiner* — George D. Kirschbaum

*Assistant Examiner* — Kathleen L Jones

(74) *Attorney, Agent, or Firm* — Birch, Stewart, Kolasch & Birch, LLP

(57) **CLAIM**

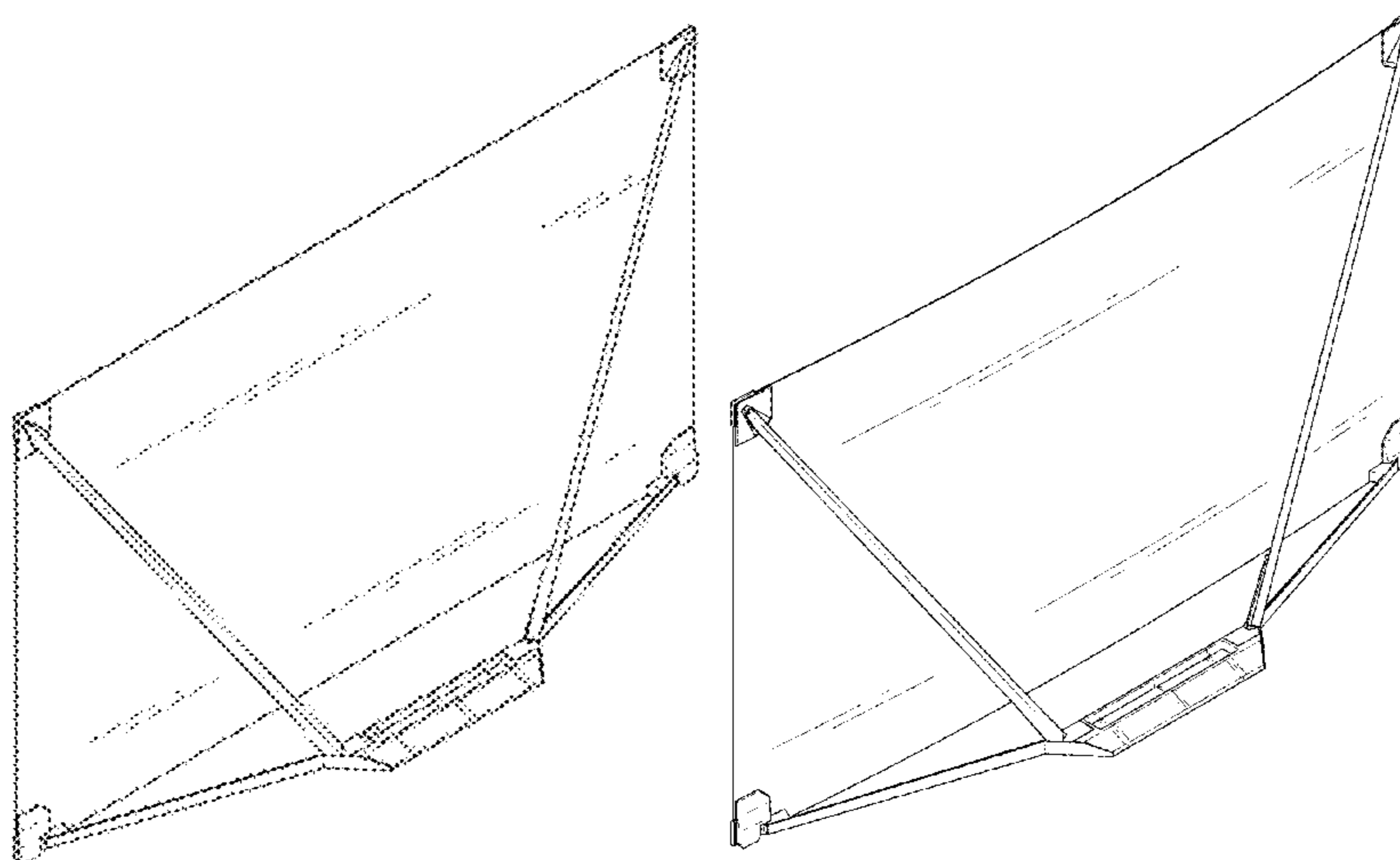
The ornamental design for a TV receiver, as shown and described.

**DESCRIPTION**

- 1. TV receiver
- 1.1 is a front perspective view of a TV receiver.
- 1.2 is a rear perspective view thereof.
- 1.3 is a front view thereof.
- 1.4 is a back view thereof.
- 1.5 is a left side view thereof.
- 1.6 is a right side view thereof.
- 1.7 is a top view thereof.
- 1.8 is a bottom view thereof.
- 1.9 is a front perspective view of the TV receiver shown in an alternate position.
- 1.10 is a rear perspective view thereof.
- 1.11 is a front view thereof.
- 1.12 is a back view thereof.
- 1.13 is a left side view thereof.
- 1.14 is a right side view thereof.
- 1.15 is a top view thereof.
- 1.16 is a bottom view thereof.

The broken lines shown in the figures depict portions of the TV receiver that form no part of the claimed design.

**1 Claim, 16 Drawing Sheets**



(58) **Field of Classification Search**

USPC ..... D21/332, 515; D10/26; D6/300, 310,  
D6/363, 643, 698, 700-701  
CPC ..... G06F 1/1692; G06F 1/165; G06F 1/1601;  
G06F 1/1637; H04N 5/64; H05K 5/0017;  
H05K 5/0204

See application file for complete search history.

(56) **References Cited**

U.S. PATENT DOCUMENTS

D469,414 S *	1/2003	Lewis	.....	D14/126
D526,976 S *	8/2006	Voege	.....	D14/126
D738,335 S *	9/2015	Shin	.....	D14/126
D758,374 S *	6/2016	Kim	.....	D14/451
D780,852 S *	3/2017	Sharp	.....	D14/203.7
D801,337 S *	10/2017	Lee	.....	D14/374
D817,296 S *	5/2018	Kim	.....	D14/126
2006/0250347 A1 *	11/2006	Bertoncini	.....	G06F 1/1601 345/103
2007/0030405 A1 *	2/2007	Childrey	.....	F16M 11/10 348/794
2015/0145837 A1 *	5/2015	Park	.....	H04N 5/64 345/184
2015/0192952 A1 *	7/2015	Jung	.....	G06F 1/1601 361/747

OTHER PUBLICATIONS

Wong, Abel, Samsung SUHD TB setup tutorial, posted at TechNave, posting date Jun. 20, 2016. [online] [site visited Feb. 28, 2018]. Available from Internet. <URL: <https://technave.com/gadget/Samsung-SUHD-TV-setup-tutorial-7488.html>> (Year: 2016).\*

Protege Music Stand by Portastand, posted at jazzbooks, posting date not available. [online] [site visited Feb. 28, 2018]. Available from Internet. <URL: [http://www.jazzbooks.com/mm5/merchant.mvc?Screen=PROD&Store\\_Code=JAJAZZ&Product\\_Code=PAS-PRO](http://www.jazzbooks.com/mm5/merchant.mvc?Screen=PROD&Store_Code=JAJAZZ&Product_Code=PAS-PRO)>.\*

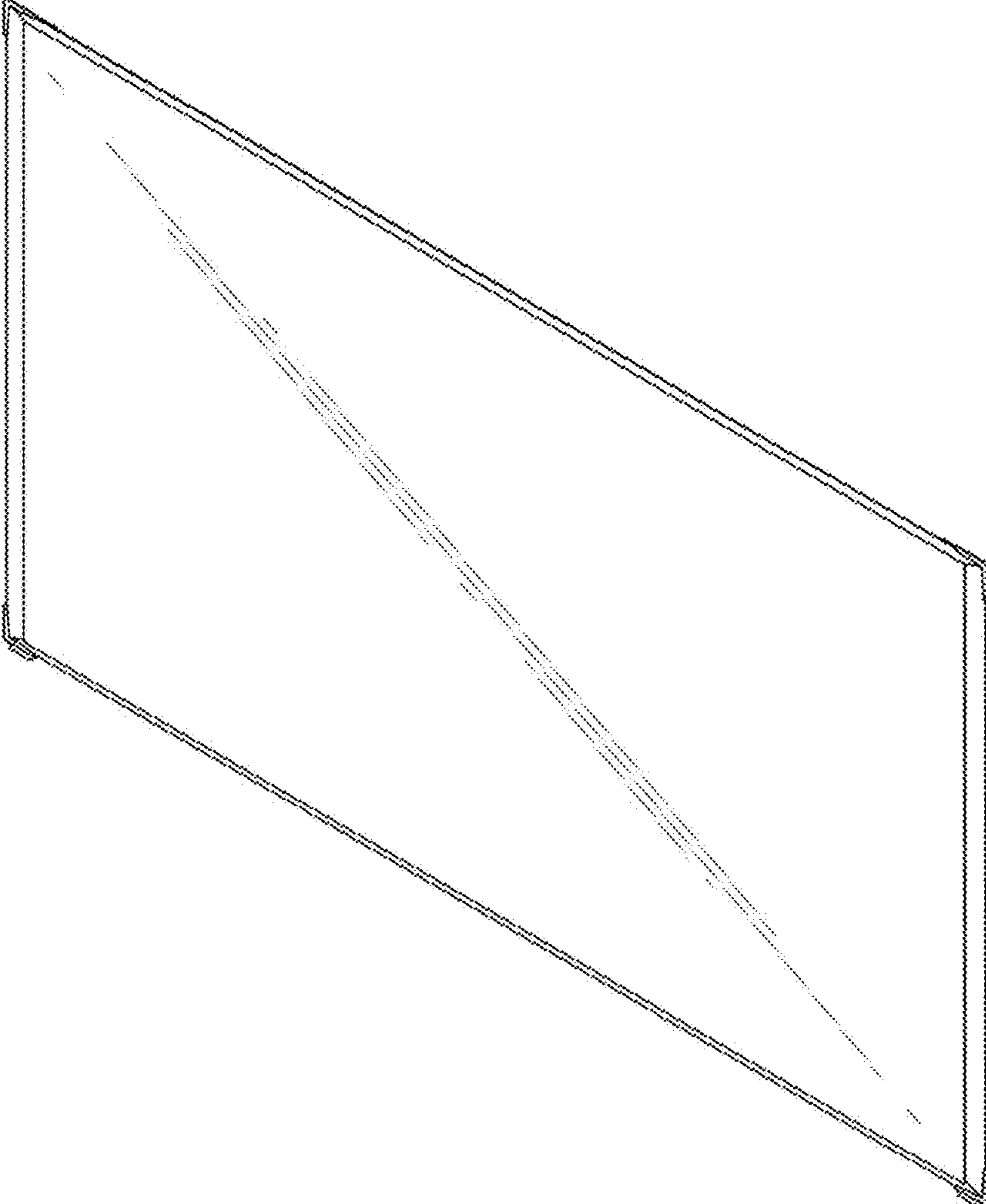
Projector Mount for projectors up to 35 lbs, posted at SANUS, posting date Dec. 21, 2014. [online] [site visited Feb. 28, 2018]. Available from Internet. <URL: [https://www.sanus.com/en\\_US/products/mounts/vp1/](https://www.sanus.com/en_US/products/mounts/vp1/)> (Year: 2014).\*

iPad Counter Stands, posted at iPadHolders2Go, posting date not available. [online] [site visited Feb. 28, 2018]. Available from Internet. <URL: <https://www.ipadholders2go.com/C-29244/iPad-Counter-Stands-Locks-Locking-Countertop-Tablet-Holders-Commercial-Use>>.\*

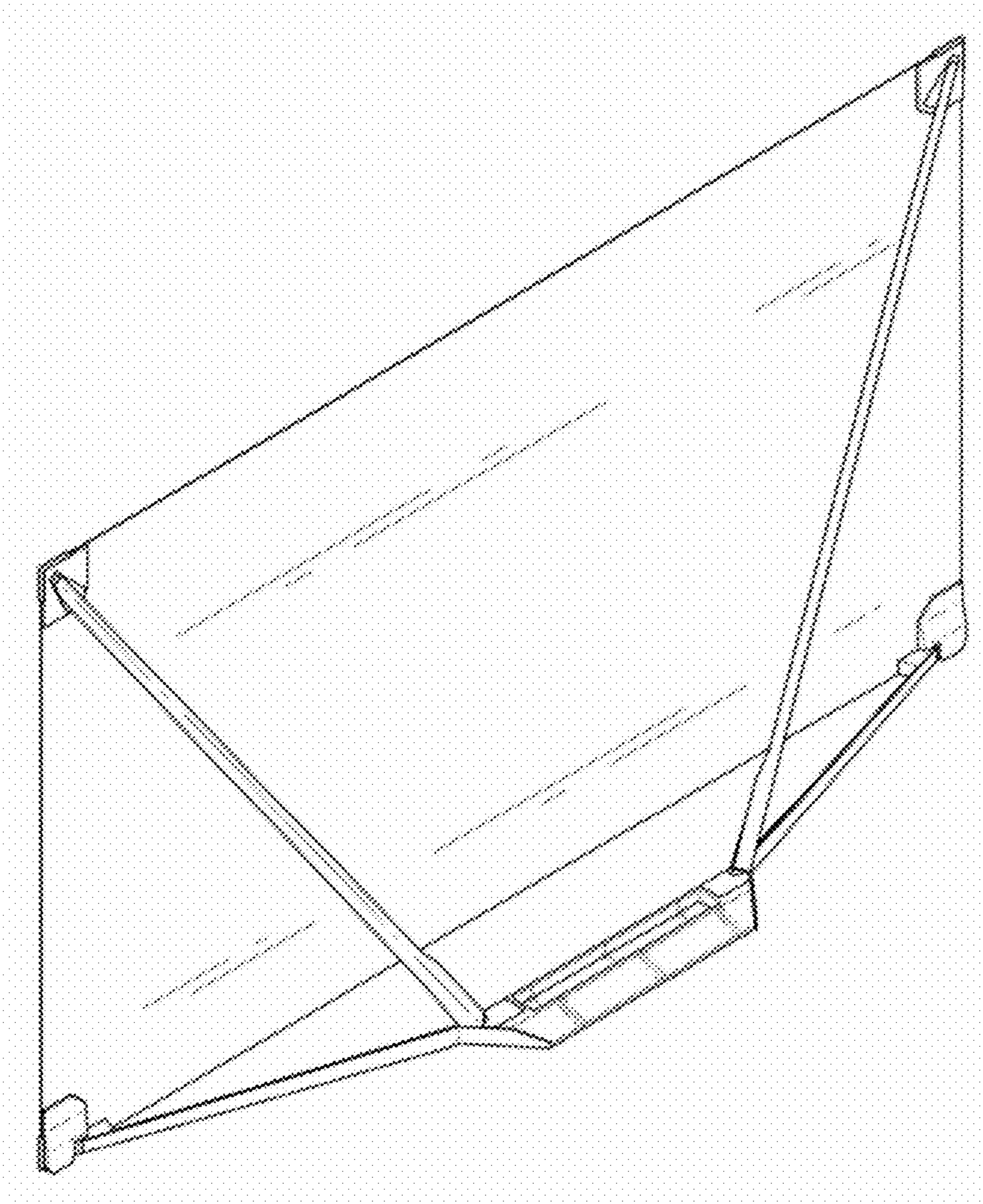
Herman Miller Aeron Chair, posted at back2, posting date Aug. 4, 2015. [online] [site visited Feb. 28, 2018]. Available from Internet. <URL: <https://www.back2.co.uk/herman-miller-aeron-chair.html>> (Year: 2015).\*

\* cited by examiner

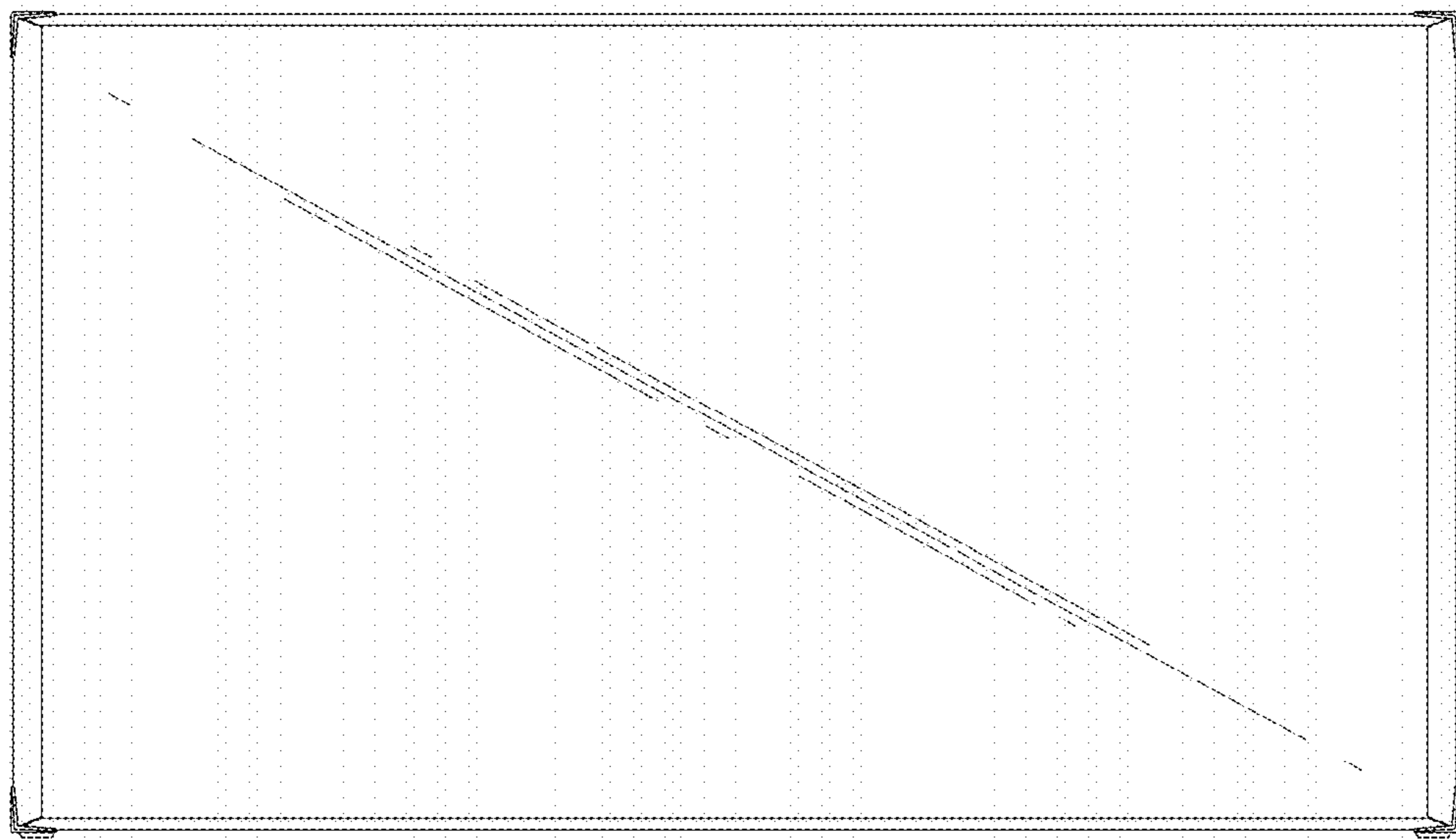
1.1



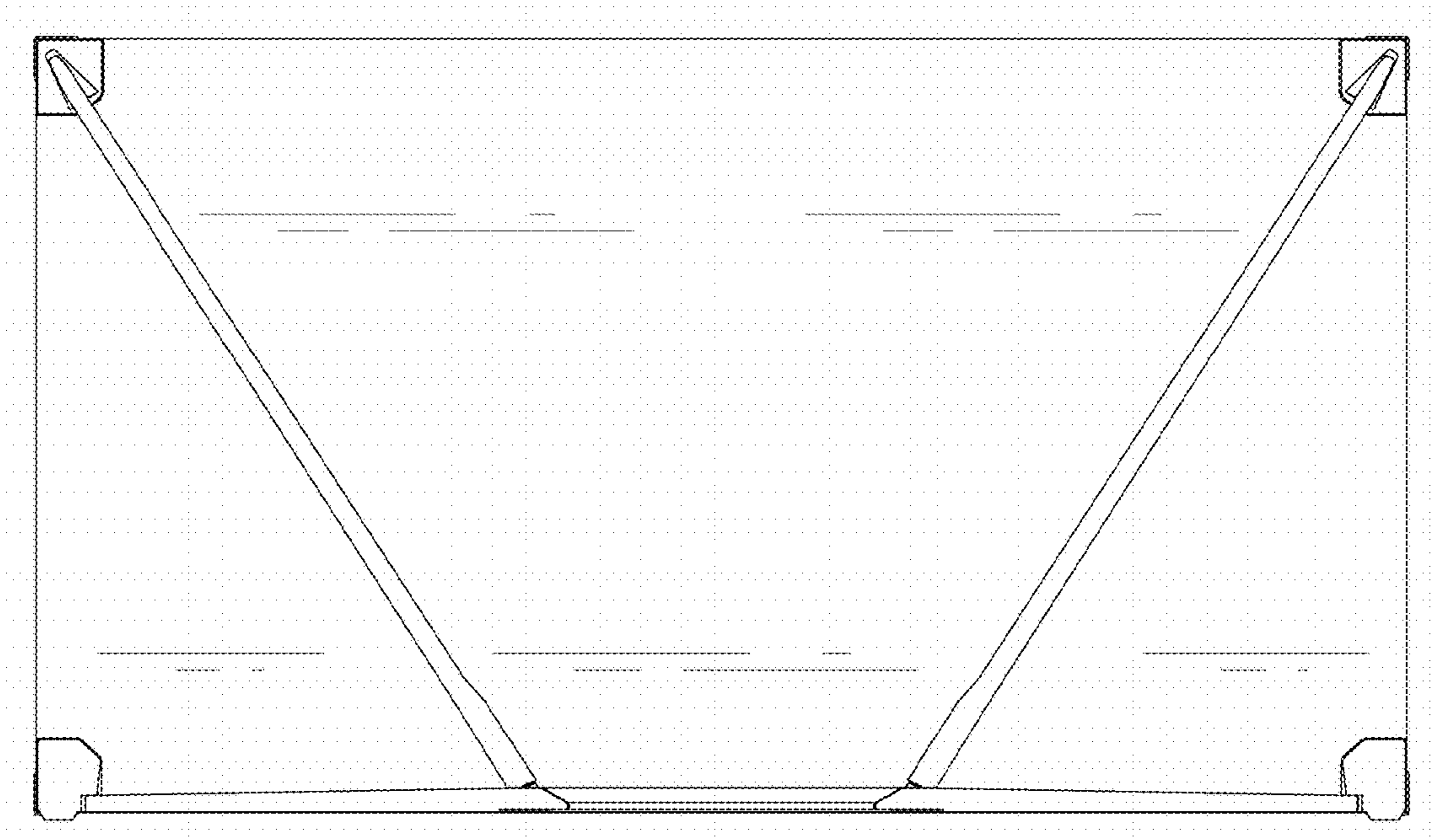
1.2



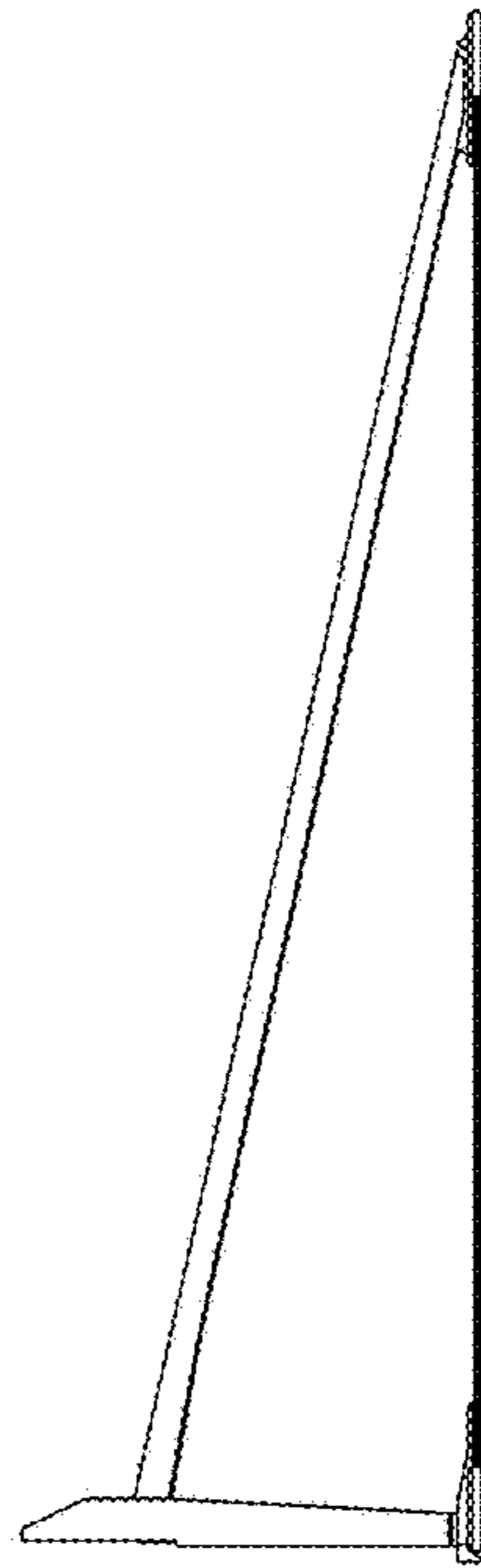
1.3



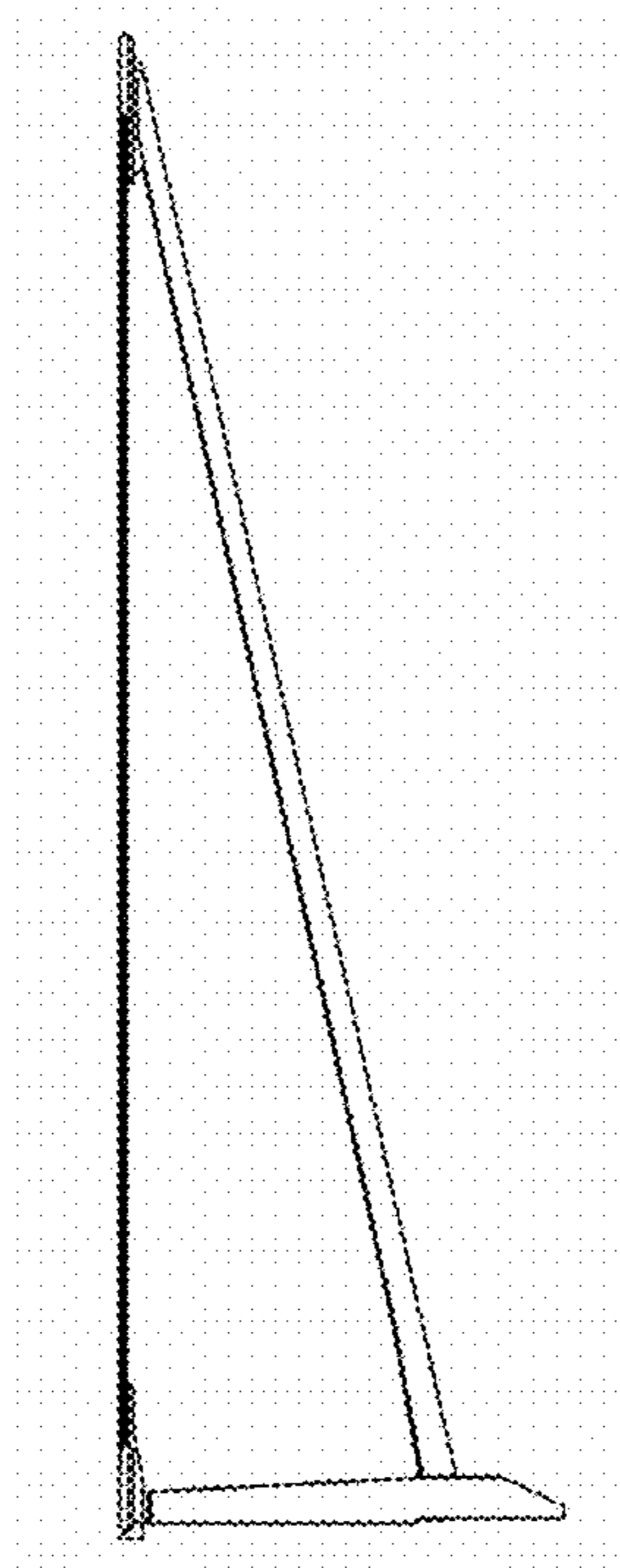
1.4



1.5

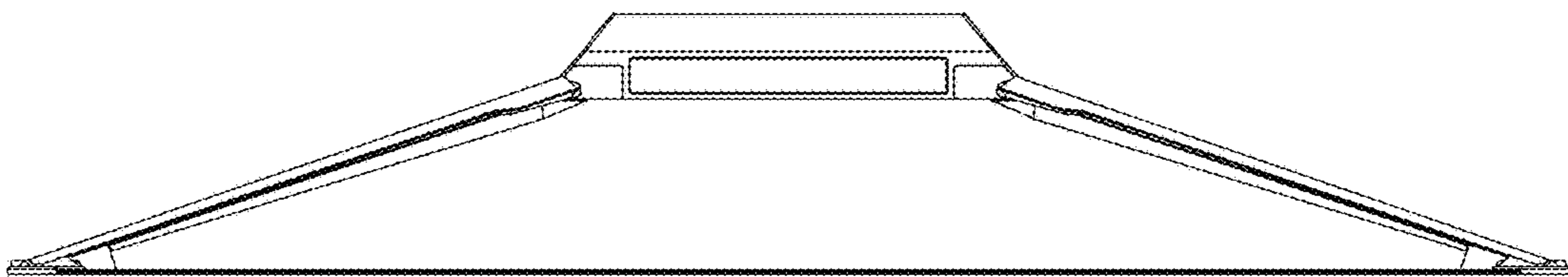


1.6

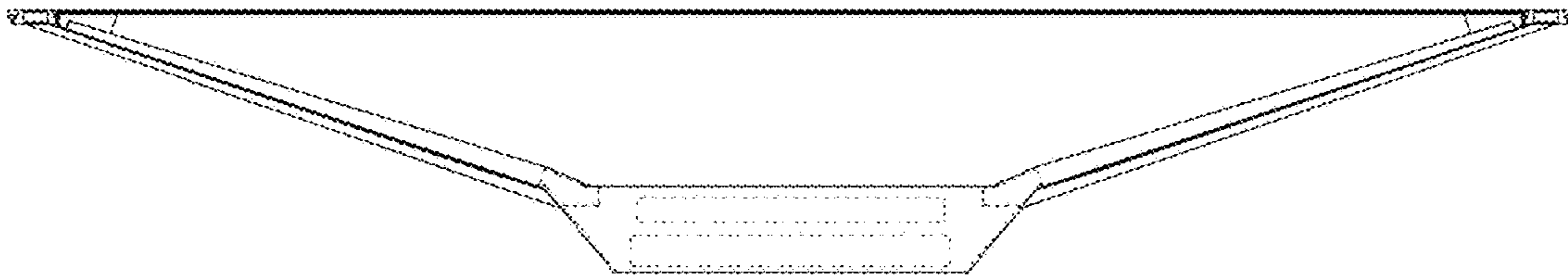




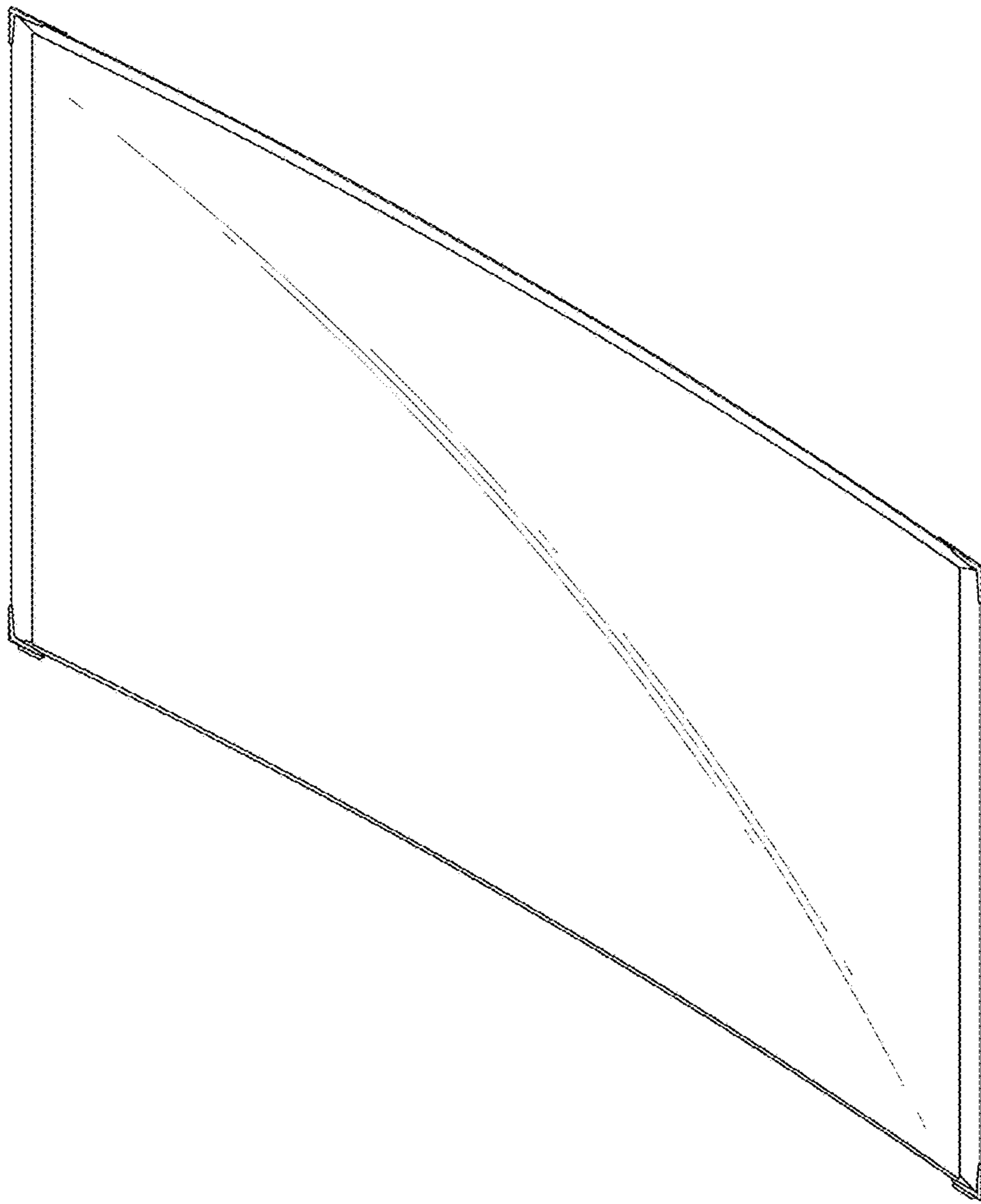
1.7



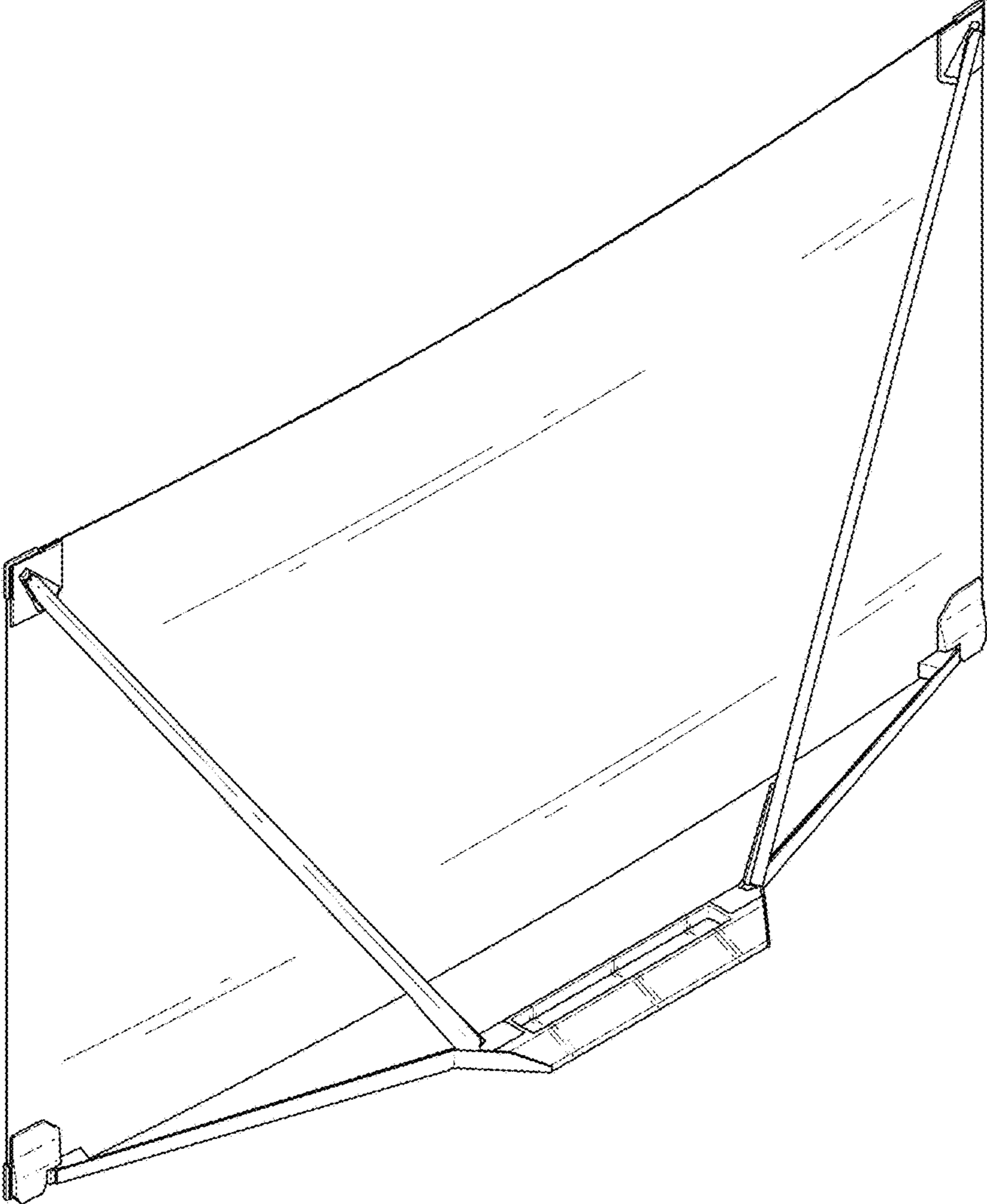
1.8



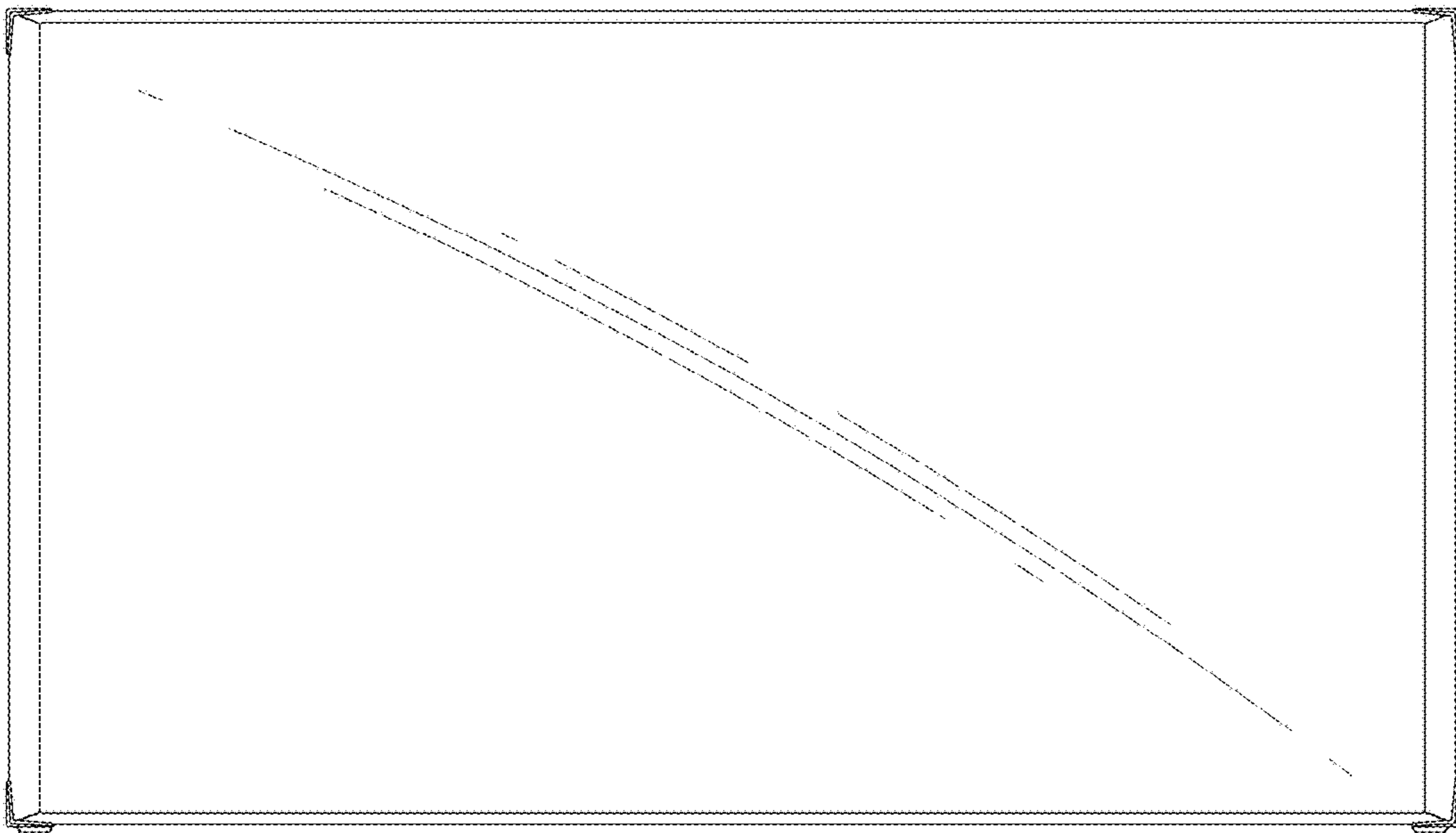
1.9



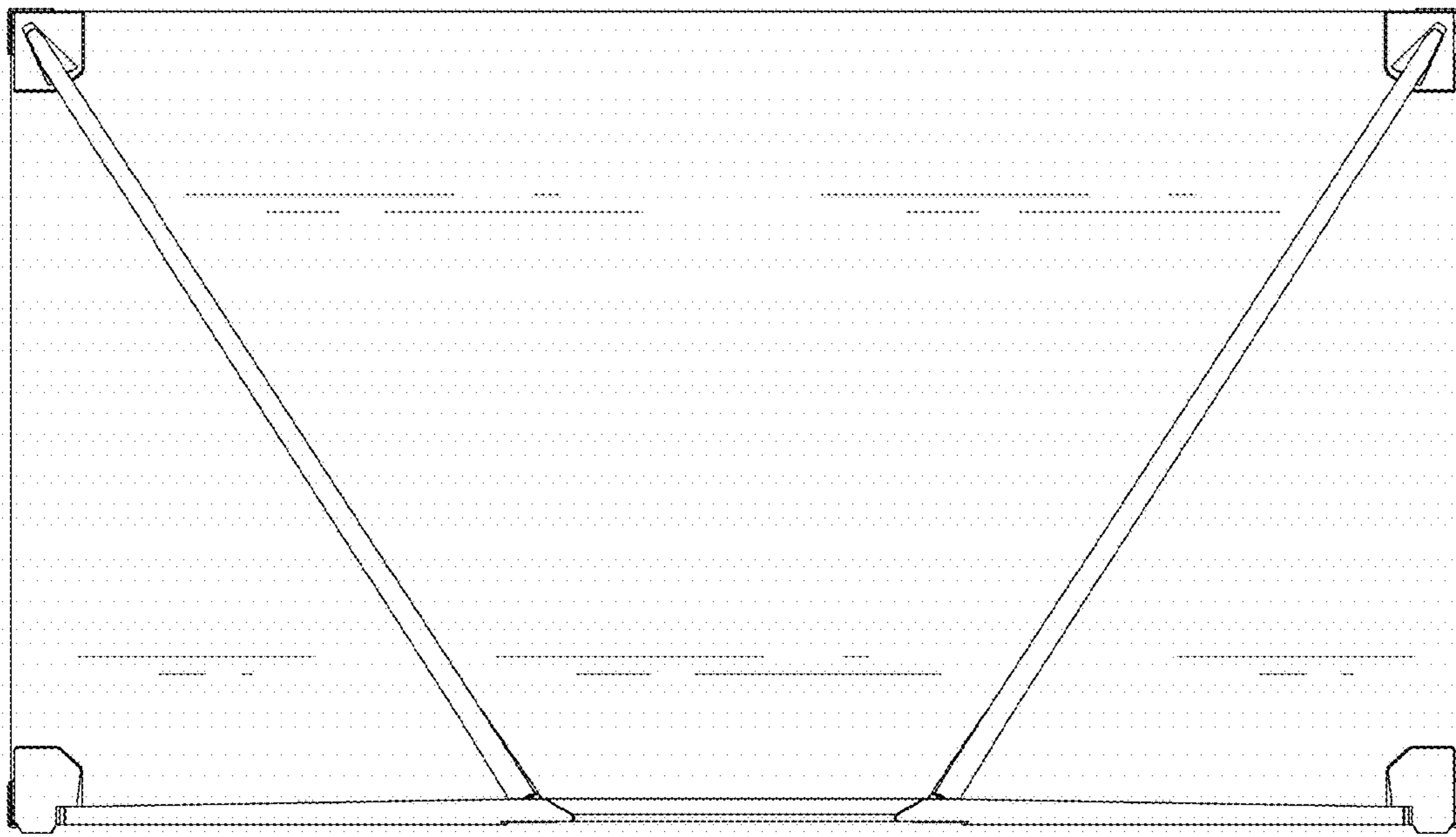
1.10



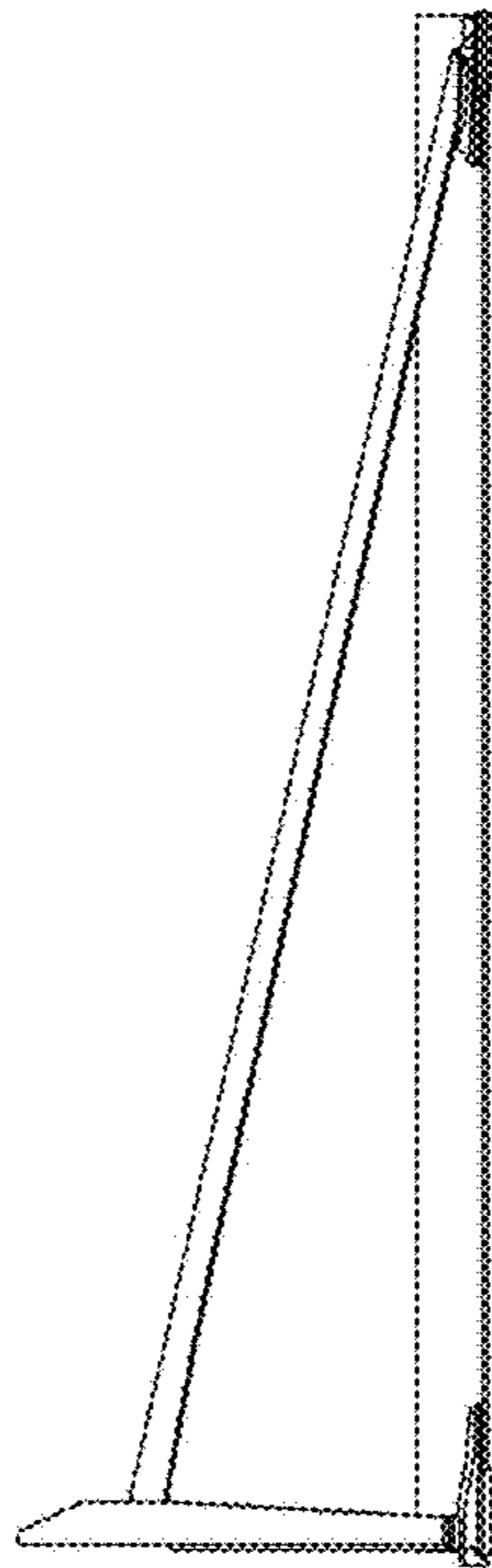
1.11



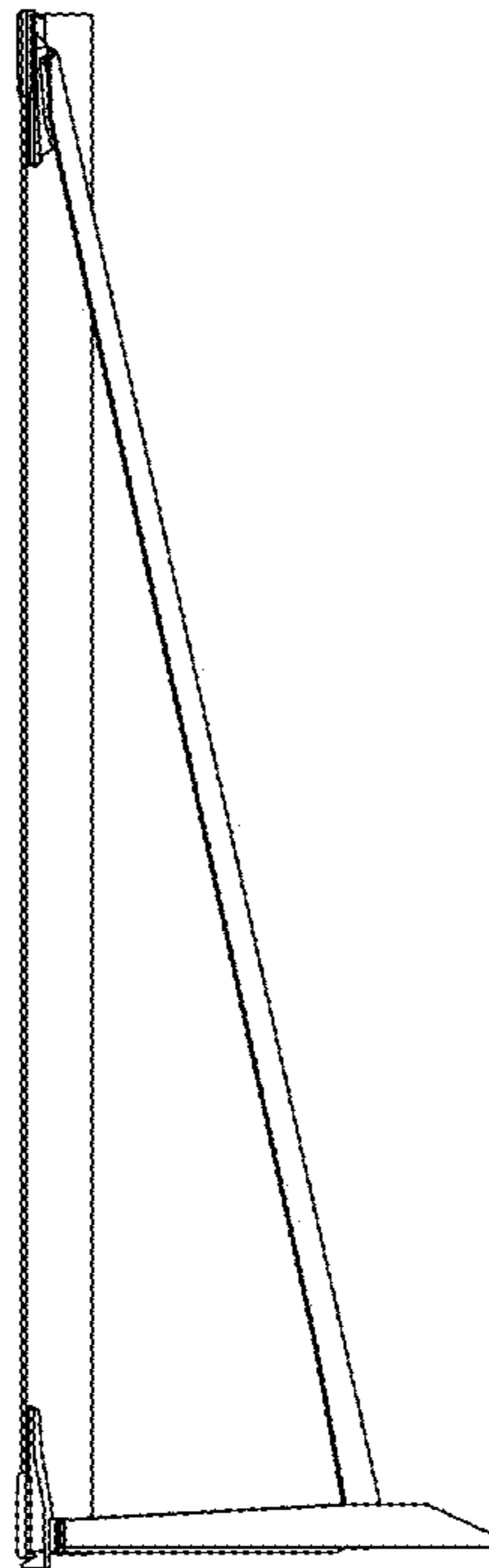
1.12



1.13

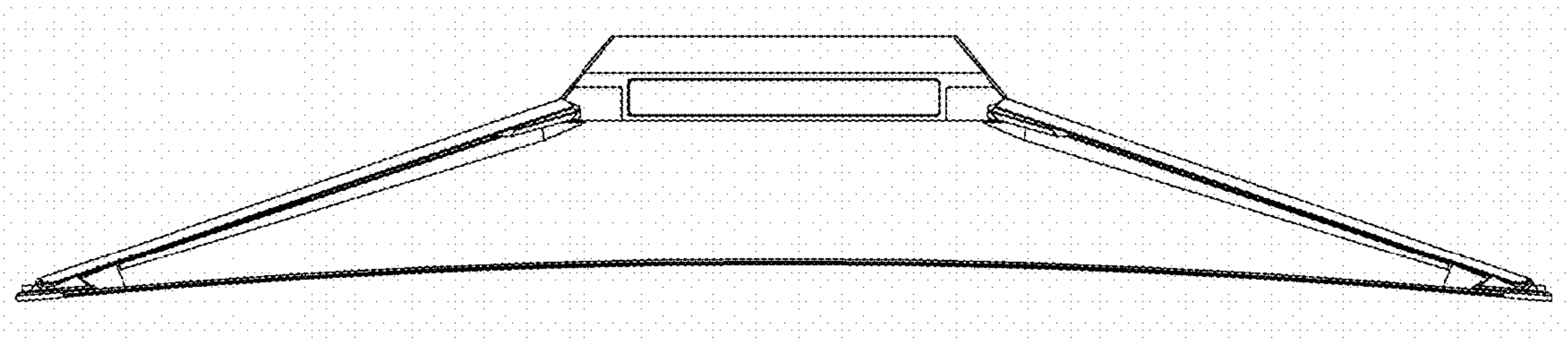


1.14





1.15



1.16

