



US00D839227S

(12) **United States Design Patent**
Kim

(10) **Patent No.:** **US D839,227 S**
(45) **Date of Patent:** **** Jan. 29, 2019**

(54) **TV RECEIVER**

(71) Applicant: **LG ELECTRONICS INC.**, Seoul
(KR)

(72) Inventor: **Huisik Kim**, Seoul (KR)

(73) Assignee: **LG ELECTRONICS INC.**, Seoul
(KR)

(**) Term: **15 Years**

(21) Appl. No.: **35/502,743**

(22) Filed: **Oct. 6, 2016**

(80) **Hague Agreement Data**

Int. Filing Date: **Oct. 6, 2016**
Int. Reg. No.: **DM/092973**
Int. Reg. Date: **Oct. 6, 2016**
Int. Reg. Pub. Date: **Apr. 7, 2017**

(30) **Foreign Application Priority Data**

Apr. 14, 2016 (KR) 30-2016-0017694

(51) **LOC (11) Cl.** **14-03**

(52) **U.S. Cl.**
USPC **D14/126**

(58) **Field of Classification Search**

USPC D14/125-134, 239, 336, 371, 373-377,
D14/447, 448, 450, 451, 452; D21/329,
D21/332, 515; D10/26; D6/300, 310,
D6/363, 643, 698, 700-701
CPC G06F 1/1692; G06F 1/165; G06F 1/1601;
G06F 1/1637; H04N 5/64; H05K 5/0017;
H05K 5/0204

See application file for complete search history.

(56) **References Cited**

U.S. PATENT DOCUMENTS

D290,557 S * 6/1987 Salvati D6/363
D467,920 S * 12/2002 Chen D14/375

D469,414 S * 1/2003 Lewis D14/126
D526,976 S * 8/2006 Voegel D14/126
D738,335 S * 9/2015 Shin D14/126
D744,444 S * 12/2015 Kim D14/126
D758,374 S * 6/2016 Kim D14/451
D780,852 S * 3/2017 Sharp D14/203.7
D801,337 S * 10/2017 Lee D14/374
D816,631 S * 5/2018 Kim D14/126

(Continued)

OTHER PUBLICATIONS

Hot Tips for Buying a Cool TV, Part 3-A: Wall Mount or Stand, posted at Samsung Global Newsroom, posting date Dec. 11, 2015. [online] [site visited Feb. 28, 2018]. Available from Internet. <URL: <https://news.samsung.com/global/hot-tips-for-choosing-a-cool-tv-part-3-a-wall-mount-or-stand>> (Year: 2016).*

(Continued)

Primary Examiner — George D. Kirschbaum

Assistant Examiner — Kathleen L Jones

(74) *Attorney, Agent, or Firm* — Birch, Stewart, Kolasch & Birch, LLP

(57) **CLAIM**

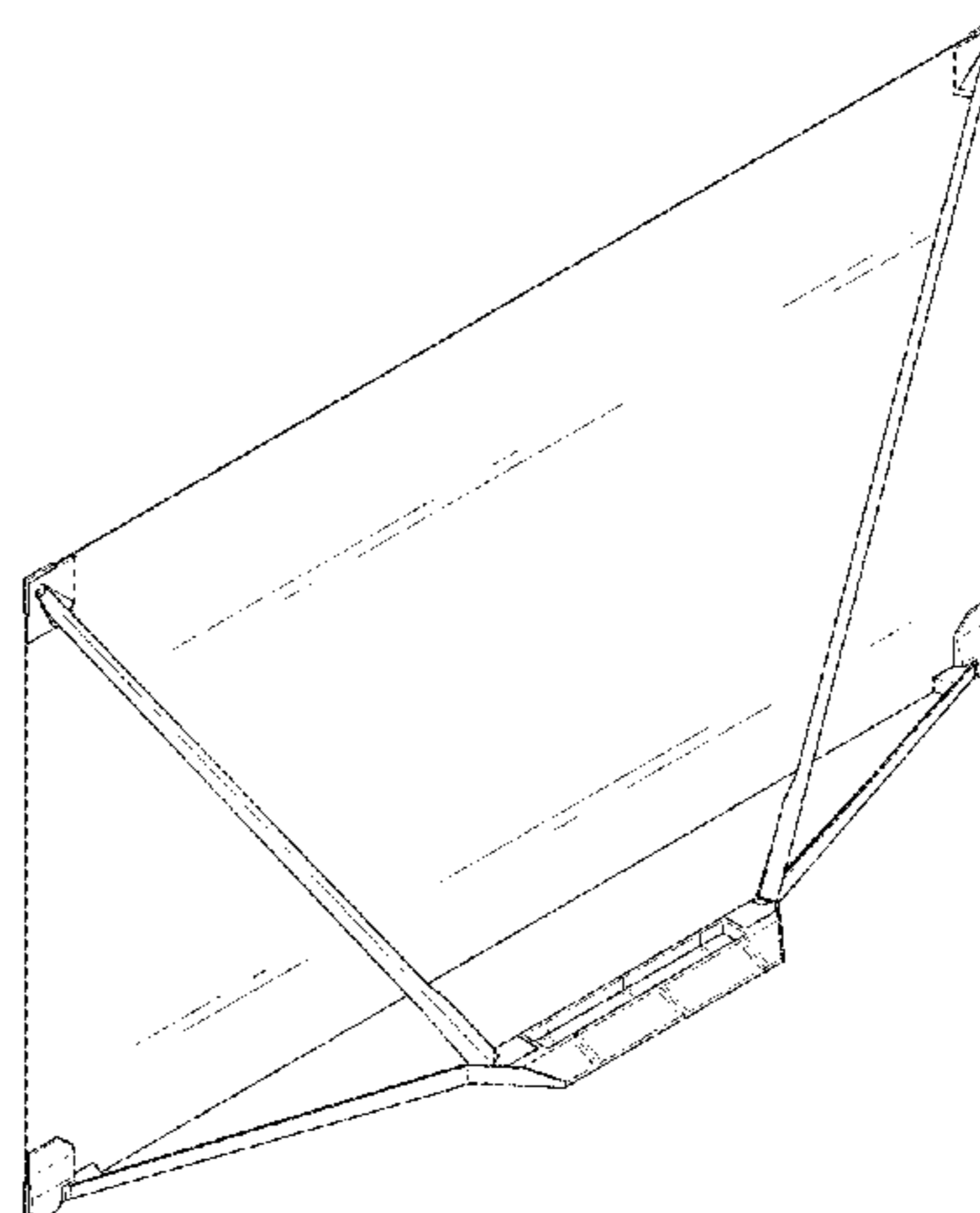
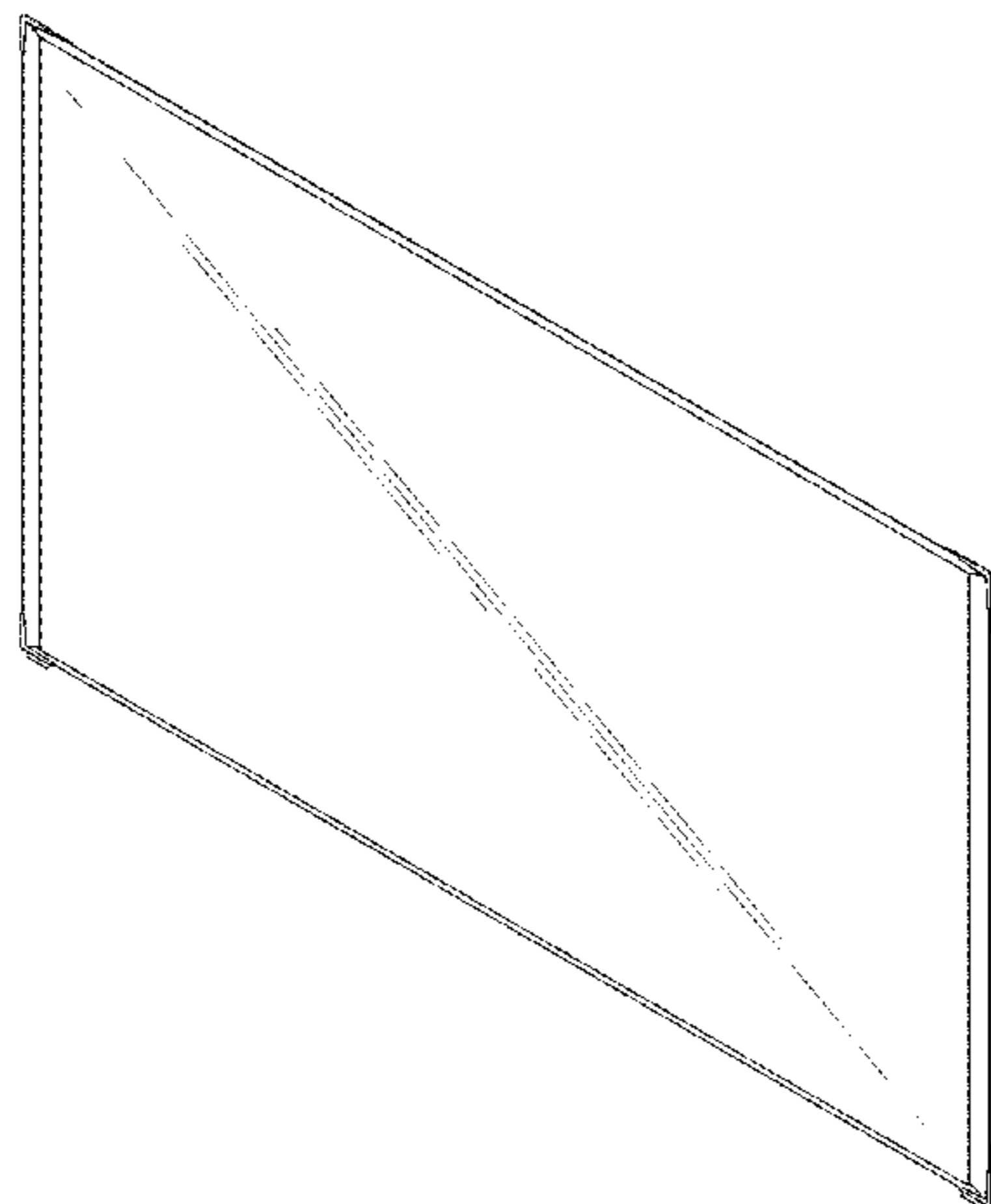
The ornamental design for a TV receiver, as shown and described.

DESCRIPTION

- 1. TV receiver
- 1.1 is a front perspective view.
- 1.2 is a rear perspective view.
- 1.3 is a front view.
- 1.4 is a back view.
- 1.5 is a left side view.
- 1.6 is a right side view.
- 1.7 is a top view.
- 1.8 is a bottom view.

The broken lines shown in figure 1.8 depict portions of the TV receiver that form no part of the claimed design.

1 Claim, 8 Drawing Sheets



(56)

References Cited

U.S. PATENT DOCUMENTS

2006/0250347 A1* 11/2006 Bertoncini G06F 1/1601
345/103
2007/0030405 A1* 2/2007 Childrey F16M 11/10
348/794
2015/0192952 A1* 7/2015 Jung G06F 1/1601
361/747

OTHER PUBLICATIONS

Wong, Abel, Samsung SUHD TB setup tutorial, posted at TechNave, posting date Jun. 20, 2016. [online] [site visited Feb. 28, 2018]. Available from Internet. <URL: <https://technave.com/gadget/Samsung-SUHD-TV-setup-tutorial-7488.html>> (Year: 2016).*

Protege Music Stand by Portastand, posted at jazzbooks, posting date not available. [online] [site visited Feb. 28, 2018]. Available from Internet. <URL: http://www.jazzbooks.com/mm5/merchant.mvc?Screen=PROD&Store_Code=JAJAZZ&Product_Code=PAS-PRO>.*

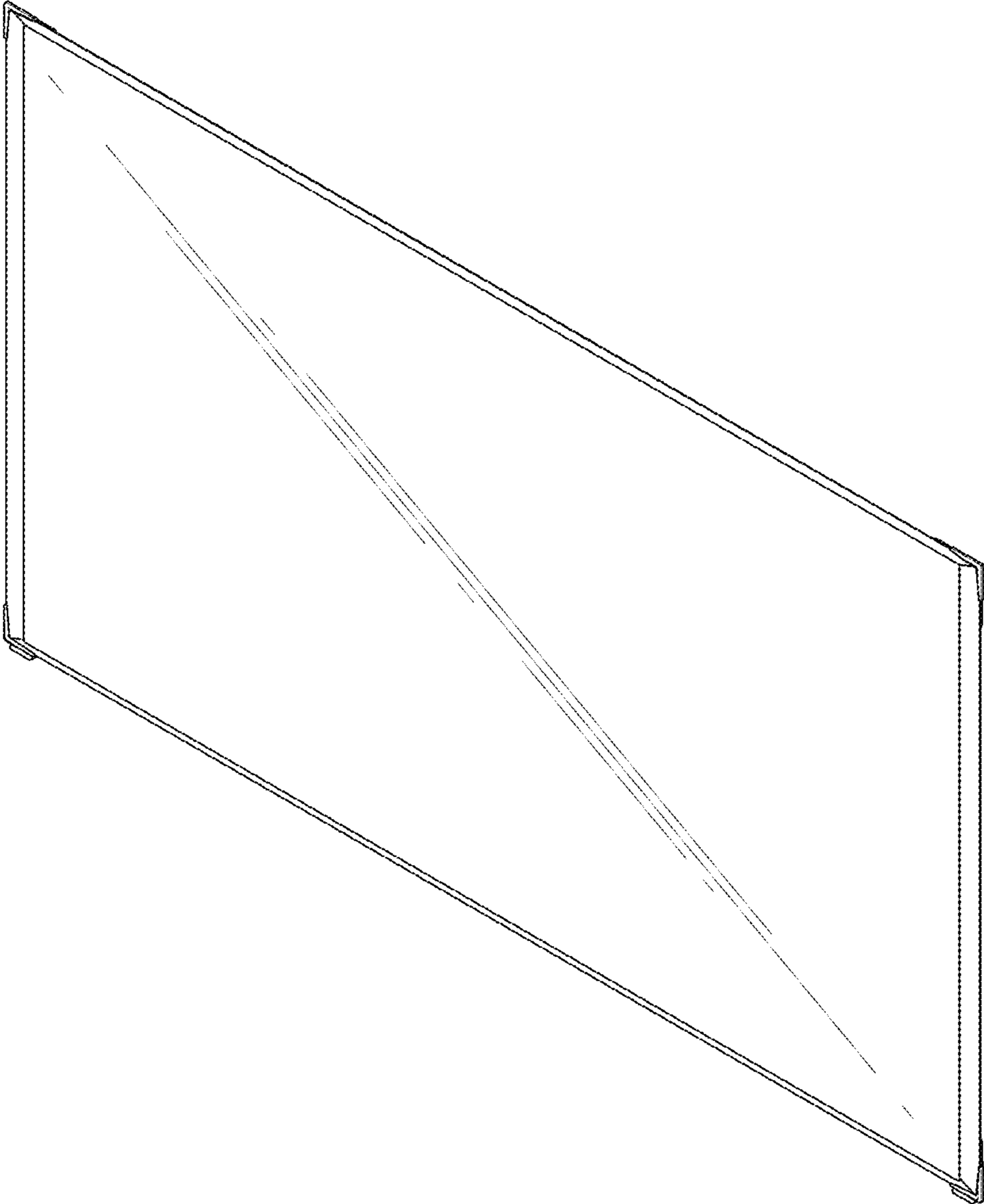
Projector Mount for projectors up to 35 lbs, posted at SANUS, posting date Dec. 21, 2014. [online] [site visited Feb. 28, 2018]. Available from Internet. <URL: https://www.sanus.com/en_US/products/mounts/vp1/> (Year: 2014).*

iPad Counter Stands, posted at iPadHolders2Go, posting date not available. [online] [site visited Feb. 28, 2018]. Available from Internet. <URL: <https://www.ipadholders2go.com/C-29244/iPad-Counter-Stands-Locks-Locking-Countertop-Tablet-Holders-Commercial-Use>>.*

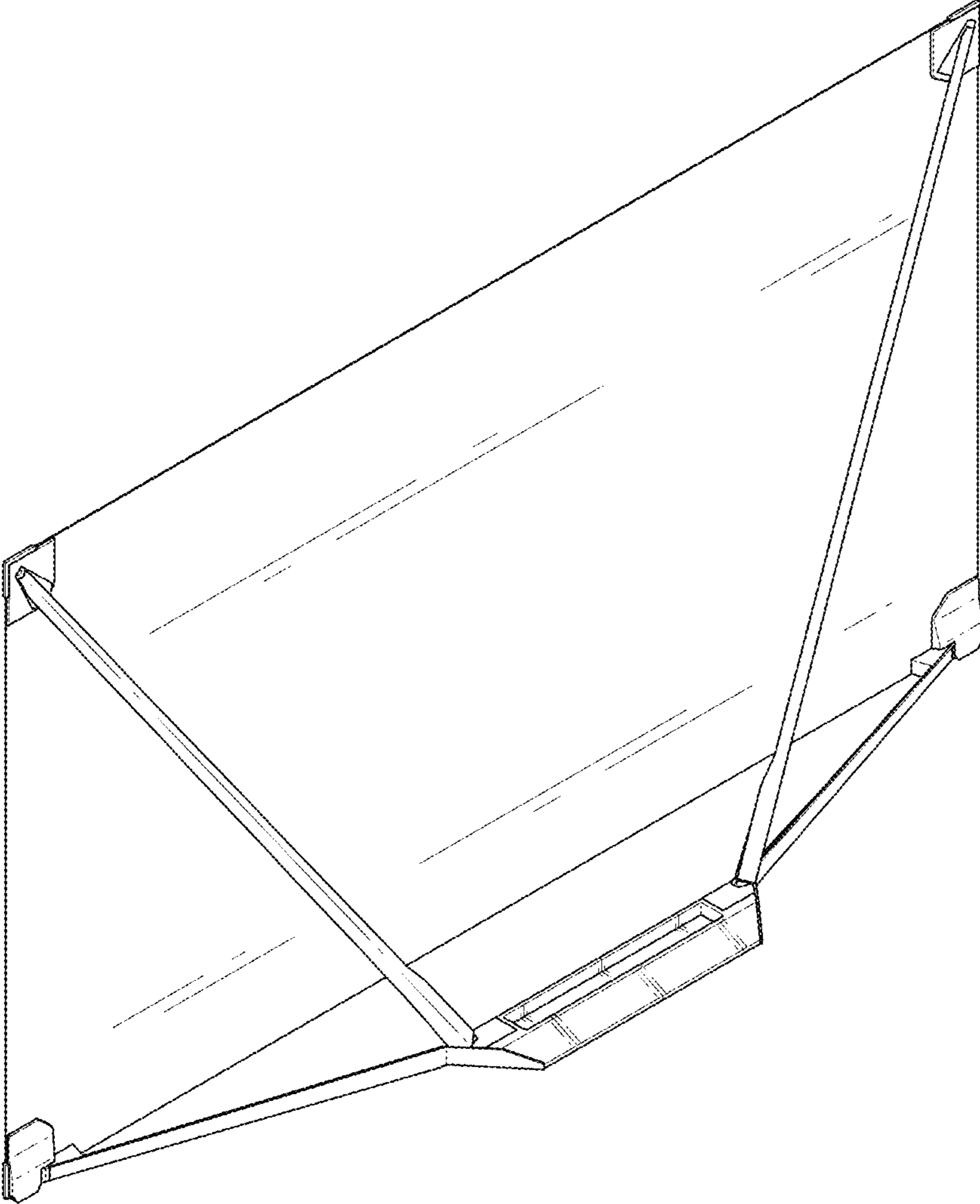
Herman Miller Aeron Chair, posted at back2, posting date Aug. 4, 2015. [online] [site visited Feb. 28, 2018]. Available from Internet. <URL: <https://www.back2.co.uk/herman-miller-aeron-chair.html>> (Year: 2015).*

* cited by examiner

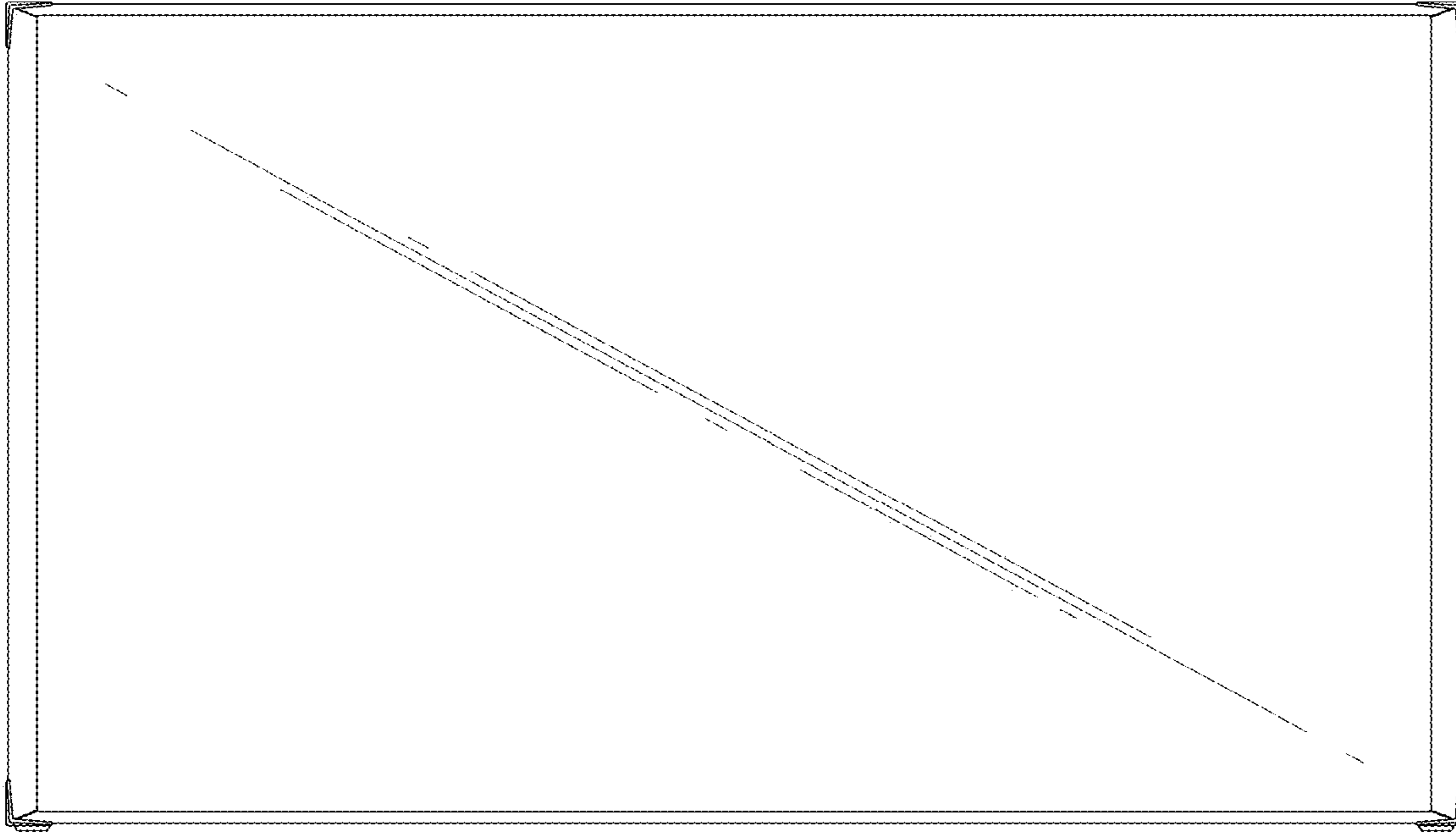
1.1



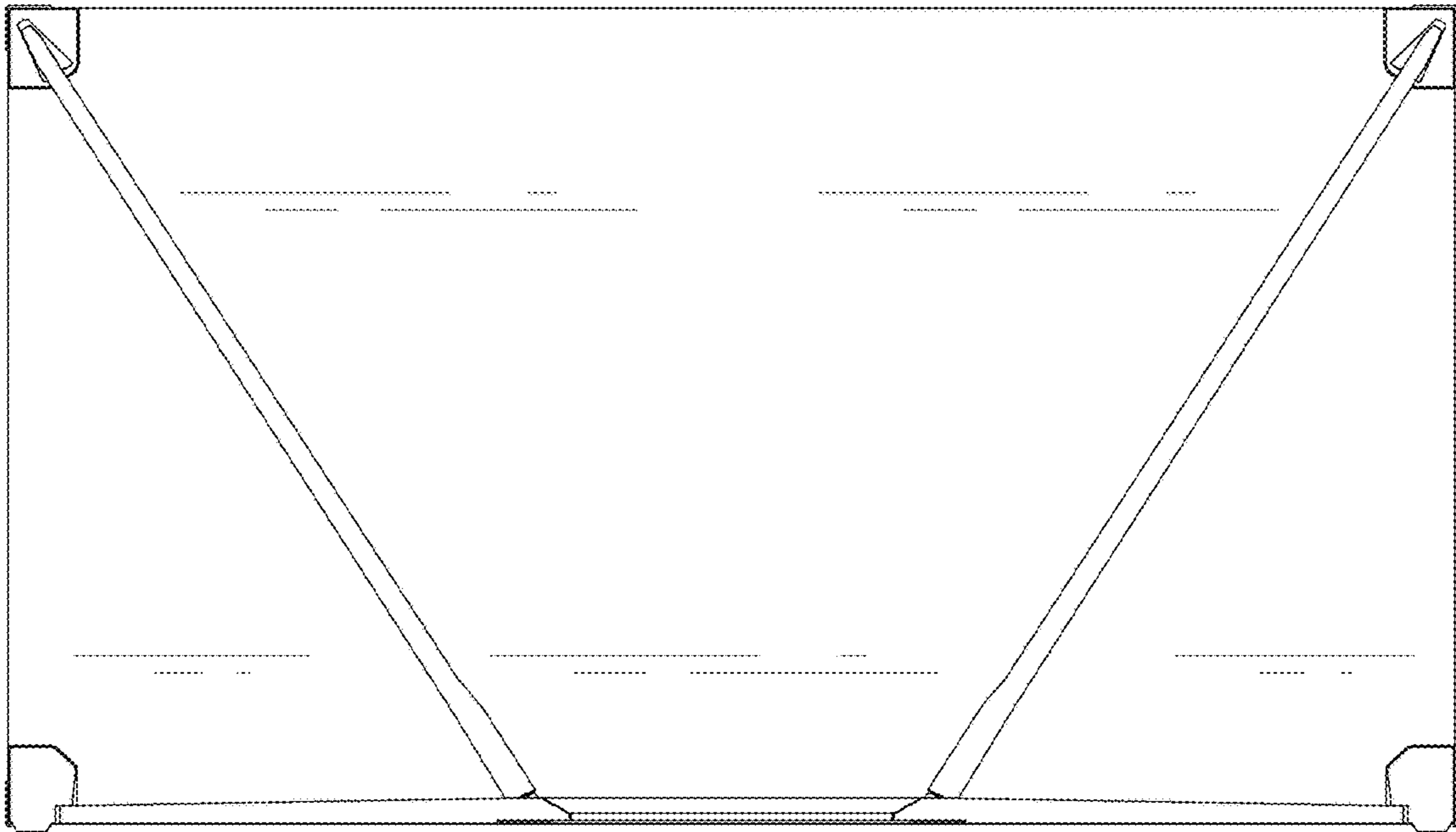
1.2



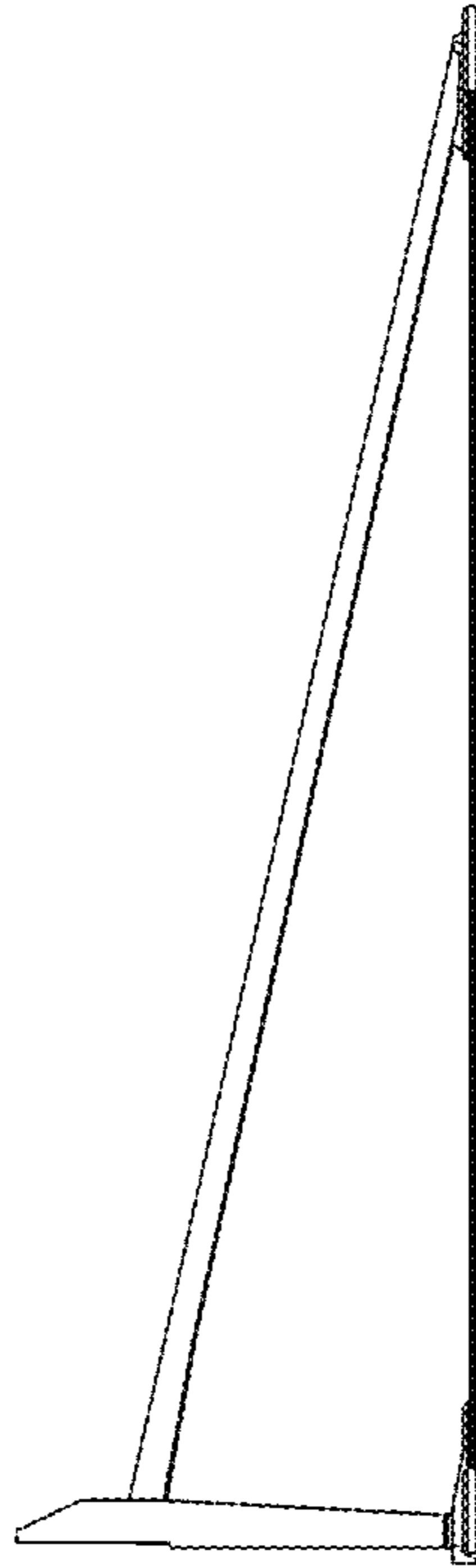
1.3



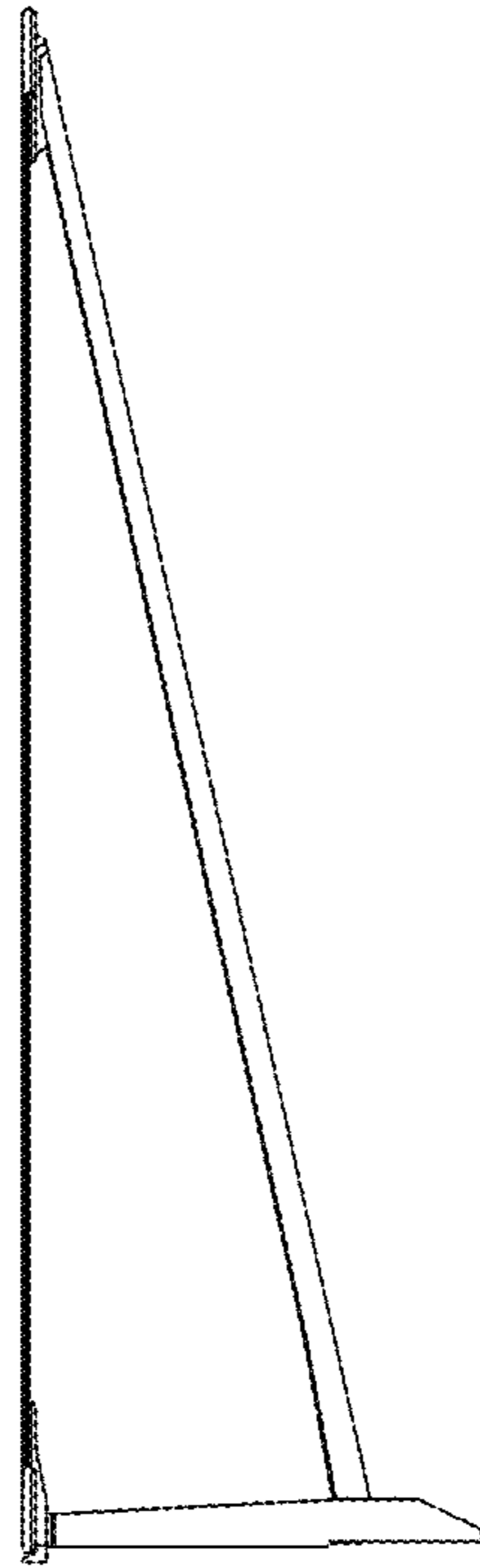
1.4



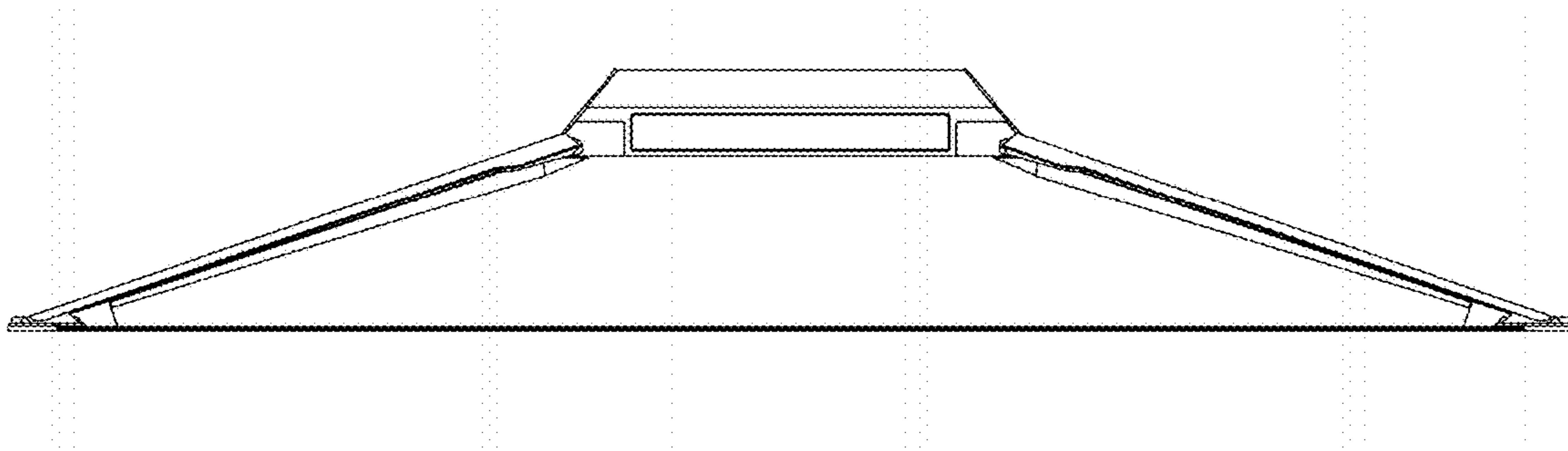
1.5



1.6



1.7



1.8

