



US00D839219S

(12) **United States Design Patent** (10) **Patent No.:** **US D839,219 S**
Yoshida et al. (45) **Date of Patent:** **** Jan. 29, 2019**

(54) **BOAT FOR SUBSTRATE PROCESSING APPARATUS**

(71) Applicant: **Hitachi Kokusai Electric Inc.**, Tokyo (JP)

(72) Inventors: **Hidenari Yoshida**, Toyama (JP); **Toru Kagaya**, Toyama (JP); **Atsushi Hirano**, Kyoto (JP)

(73) Assignee: **KOKUSAI ELECTRIC CORPORATION**, Tokyo (JP)

(**) Term: **15 Years**

(21) Appl. No.: **29/573,943**

(22) Filed: **Aug. 10, 2016**

(30) **Foreign Application Priority Data**

Feb. 12, 2016 (JP) 003052/2016

(51) **LOC (11) Cl.** **13-03**

(52) **U.S. Cl.**
USPC **D13/182**

(58) **Field of Classification Search**

USPC D13/182; D15/144, 144.1, 199; 118/715, 500, 728, 729; 211/41.18; 432/253, 258; 156/345.51, 345.52, 156/345.53, 345.55; 414/217, 220.01, 414/935-941
 CPC C23C 16/458; C23C 16/4581; C23C 16/4582; C23C 16/4583; C23C 16/4584; C23C 16/4586; C23C 16/4587; C23C 16/4588; C30B 31/14; H01L 21/673; H01L 21/67303; H01L 21/67306; H01L 21/67309; H01L 21/67313; H01L 21/67316; H01L 21/67323; H01L 21/67326; H01L 21/6733

See application file for complete search history.

(56) **References Cited**

U.S. PATENT DOCUMENTS

D361,752 S *	8/1995	Yamaga	D13/182
D366,868 S *	2/1996	Ohsawa	D13/182
D378,675 S *	4/1997	Iwai	D13/182
D378,823 S *	4/1997	Watanabe	D13/182
D380,454 S *	7/1997	Iwai	D13/182
5,752,609 A *	5/1998	Kato	H01L 21/67309 118/500
D404,015 S *	1/1999	Honma	D13/182
D404,371 S *	1/1999	Shimazu	D13/182
D409,158 S *	5/1999	Shimazu	206/832
D411,176 S *	6/1999	Shimazu	D13/182

(Continued)

Primary Examiner — Elizabeth J Oswecki

(74) *Attorney, Agent, or Firm* — Fitch, Even, Tabin & Flannery, LLP

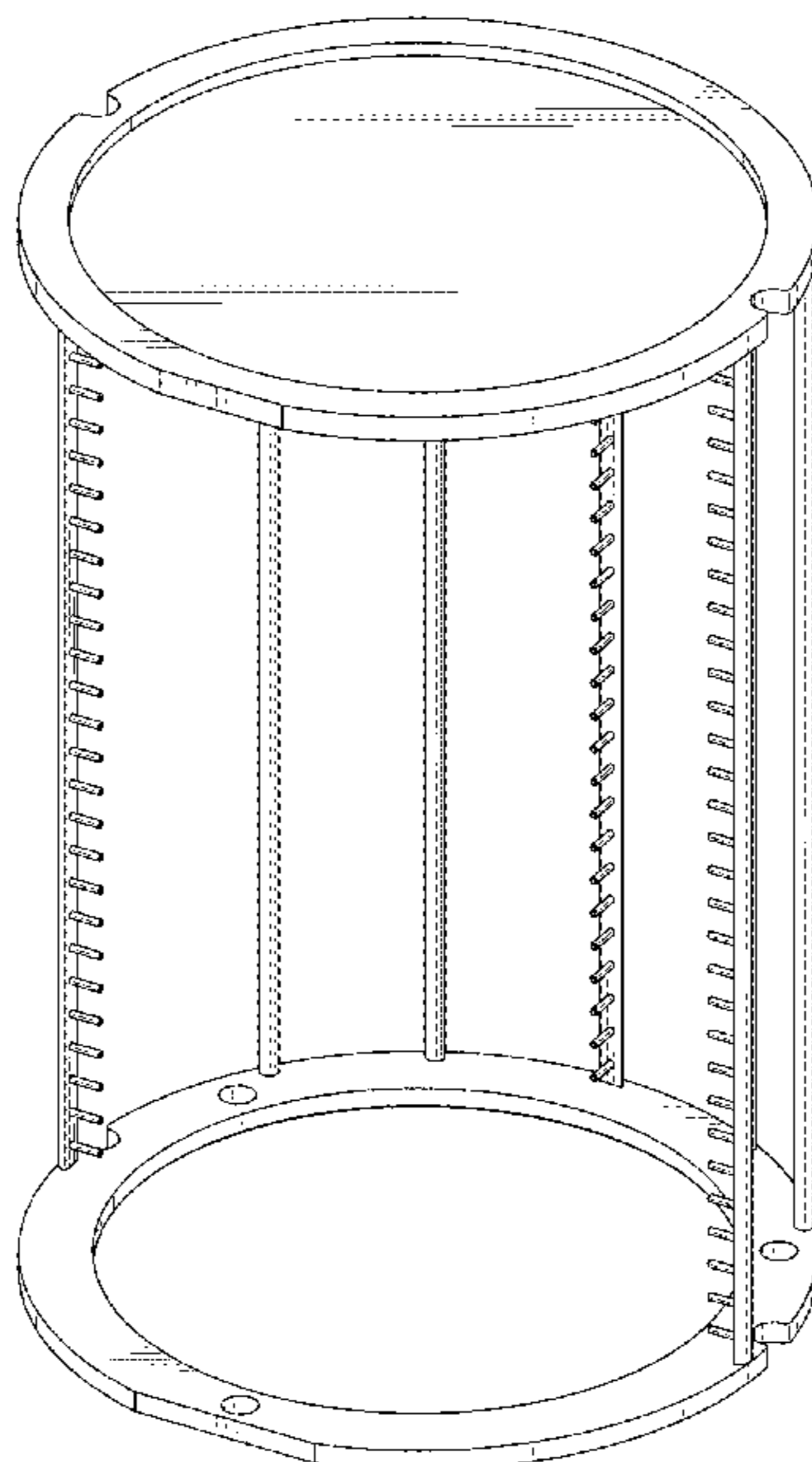
(57) **CLAIM**

The ornamental design for a boat for substrate processing apparatus, as shown and described.

DESCRIPTION

FIG. 1 is a front, top and right side perspective view of a boat for substrate processing apparatus showing my new design; FIG. 2 is a rear, top, and left side perspective view thereof; FIG. 3 is a front elevational view thereof; FIG. 4 is a rear elevational view thereof; FIG. 5 is a left side elevational view thereof; FIG. 6 is a right side elevational view thereof; FIG. 7 is a top plan view thereof; FIG. 8 is a bottom plan view thereof; FIG. 9 is a cross-sectional view taken along line 9-9 in FIG. 3 thereof; and, FIG. 10 is a cross-sectional view taken along line 10-10 in FIG. 3 thereof.

1 Claim, 9 Drawing Sheets



(56)

References Cited

U.S. PATENT DOCUMENTS

6,056,123	A *	5/2000	Niemirowski	B65D 25/107	7,484,958	B2 *	2/2009	Kobayashi	H01L 21/67309
					118/500						211/41.18
6,062,853	A *	5/2000	Shimazu	H01L 21/67309	D600,221	S *	9/2009	Sato	D13/182
					211/41.18	D600,222	S *	9/2009	Sato	D13/182
6,065,615	A *	5/2000	Uchiyama	H01L 21/67303	D616,394	S *	5/2010	Sato	D13/182
					118/500	D616,395	S *	5/2010	Sato	D13/182
6,099,302	A *	8/2000	Hong	C30B 31/14	D616,396	S *	5/2010	Sato	D13/182
					211/41.18	D734,730	S *	7/2015	Yoshida	D13/182
6,099,645	A *	8/2000	Easley	H01L 21/67309	D737,785	S *	9/2015	Yoshida	D13/182
					118/500	D738,329	S *	9/2015	Yoshida	D13/182
6,171,400	B1 *	1/2001	Wingo	H01L 21/67309	D739,831	S *	9/2015	Takagi	D13/182
					118/500	D740,769	S *	10/2015	Takagi	D13/182
6,225,594	B1 *	5/2001	Zehavi	H01L 21/67303	D747,279	S *	1/2016	Yoshida	D13/182
					118/728	D789,310	S *	6/2017	Kusakabe	D13/182
6,287,112	B1 *	9/2001	Van Voorst Vader	C30B 31/14	D791,721	S *	7/2017	Kusakabe	D13/182
					118/728	2002/0092815	A1 *	7/2002	Kim	C30B 31/14
6,341,935	B1 *	1/2002	Tseng	H01L 21/67303						211/41.18
					118/500	2002/0113027	A1 *	8/2002	Minami	H01L 21/67109
6,488,497	B1 *	12/2002	Buckley	C30B 25/12						211/41.18
					211/41.18	2002/0130061	A1 *	9/2002	Hengst	C23C 16/325
D551,634	S *	9/2007	Sugawara	D13/182						206/710
D570,308	S *	6/2008	Sato	D13/182	2002/0187023	A1 *	12/2002	Araki	C30B 31/14
D570,309	S *	6/2008	Sato	D13/182						414/160
D580,894	S *	11/2008	Sato	D13/182	2003/0024888	A1 *	2/2003	Payne	H01L 21/67303
											211/41.18
						2005/0145584	A1 *	7/2005	Buckley	H01L 21/67303
											211/41.18

* cited by examiner

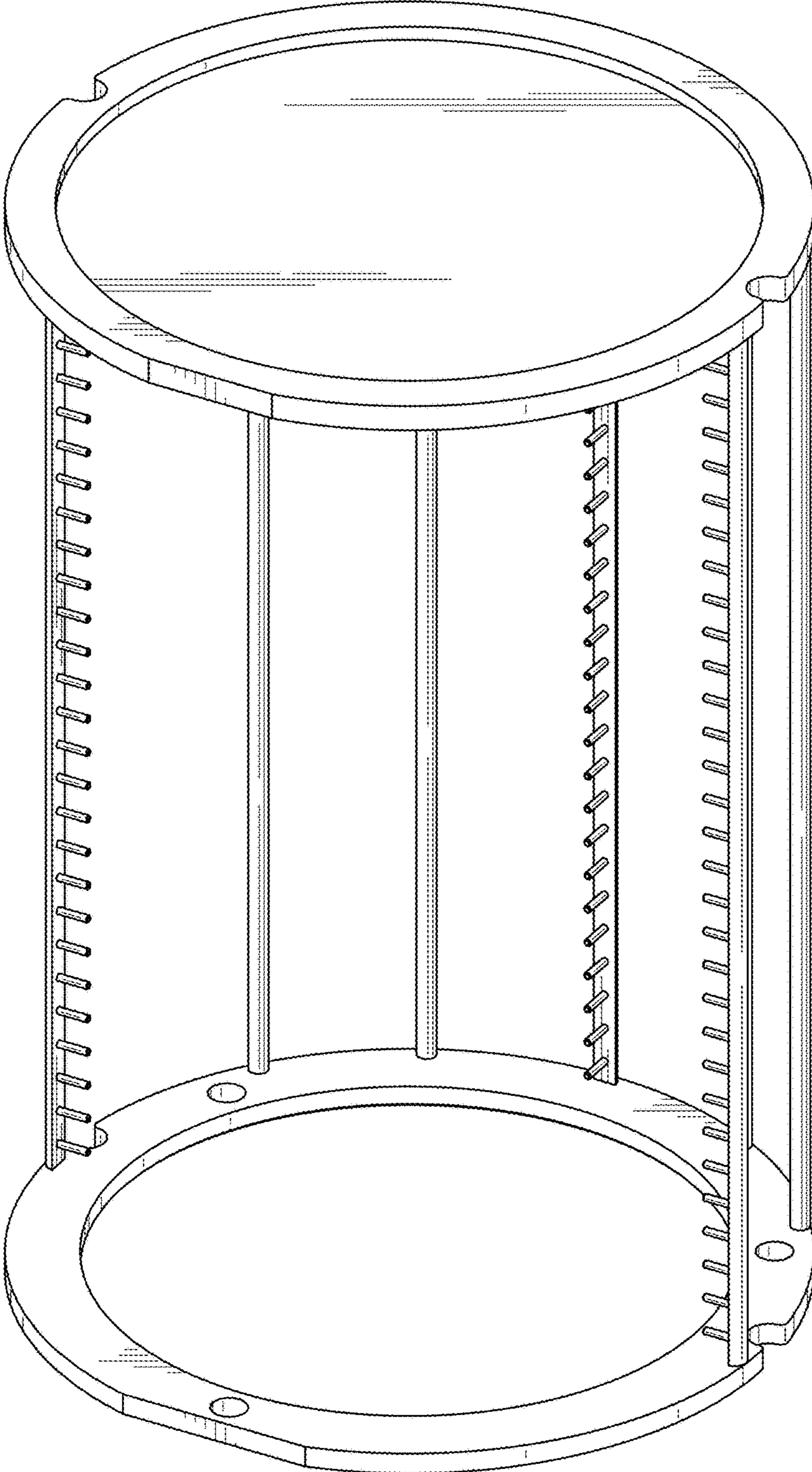


FIG. 1

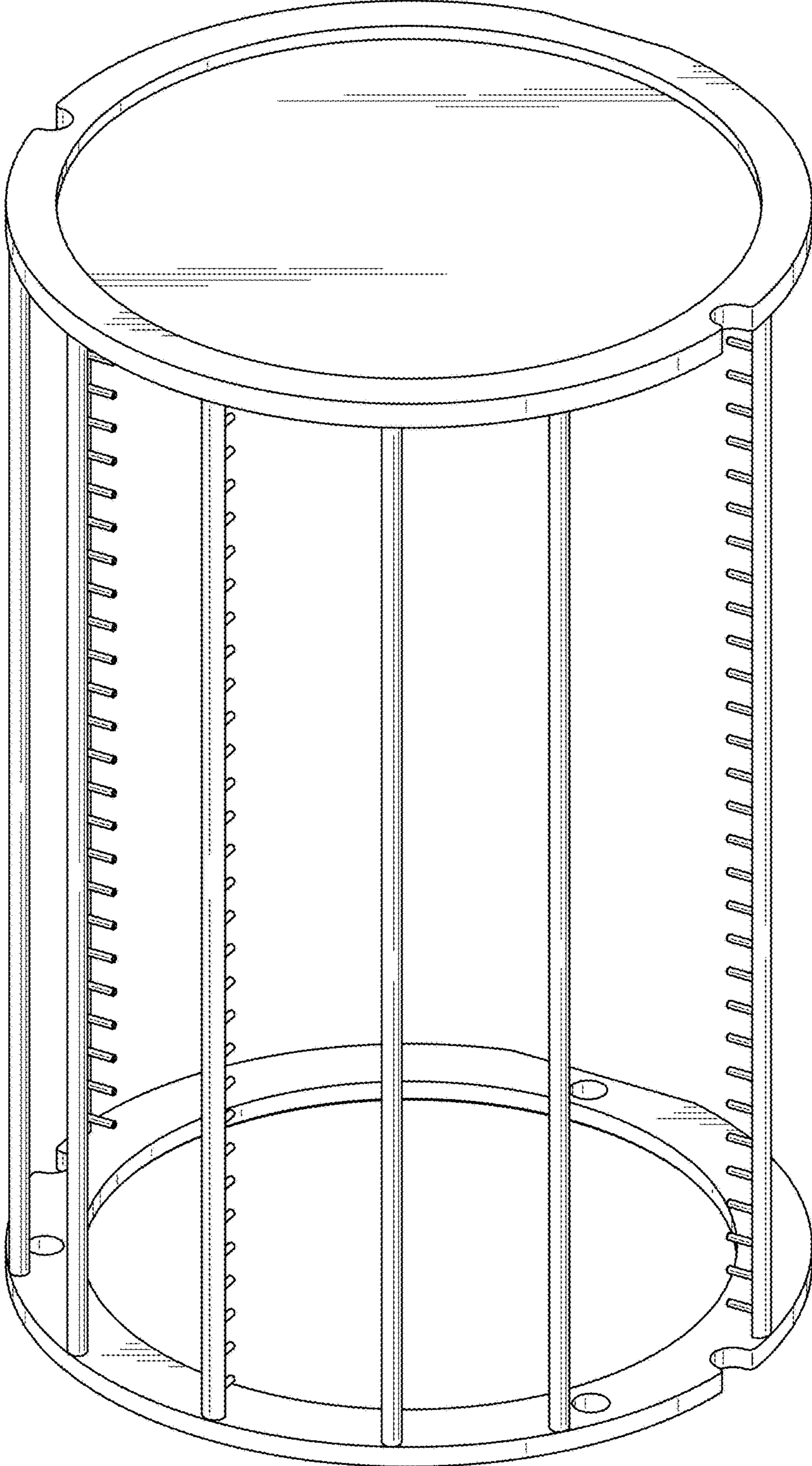


FIG. 2

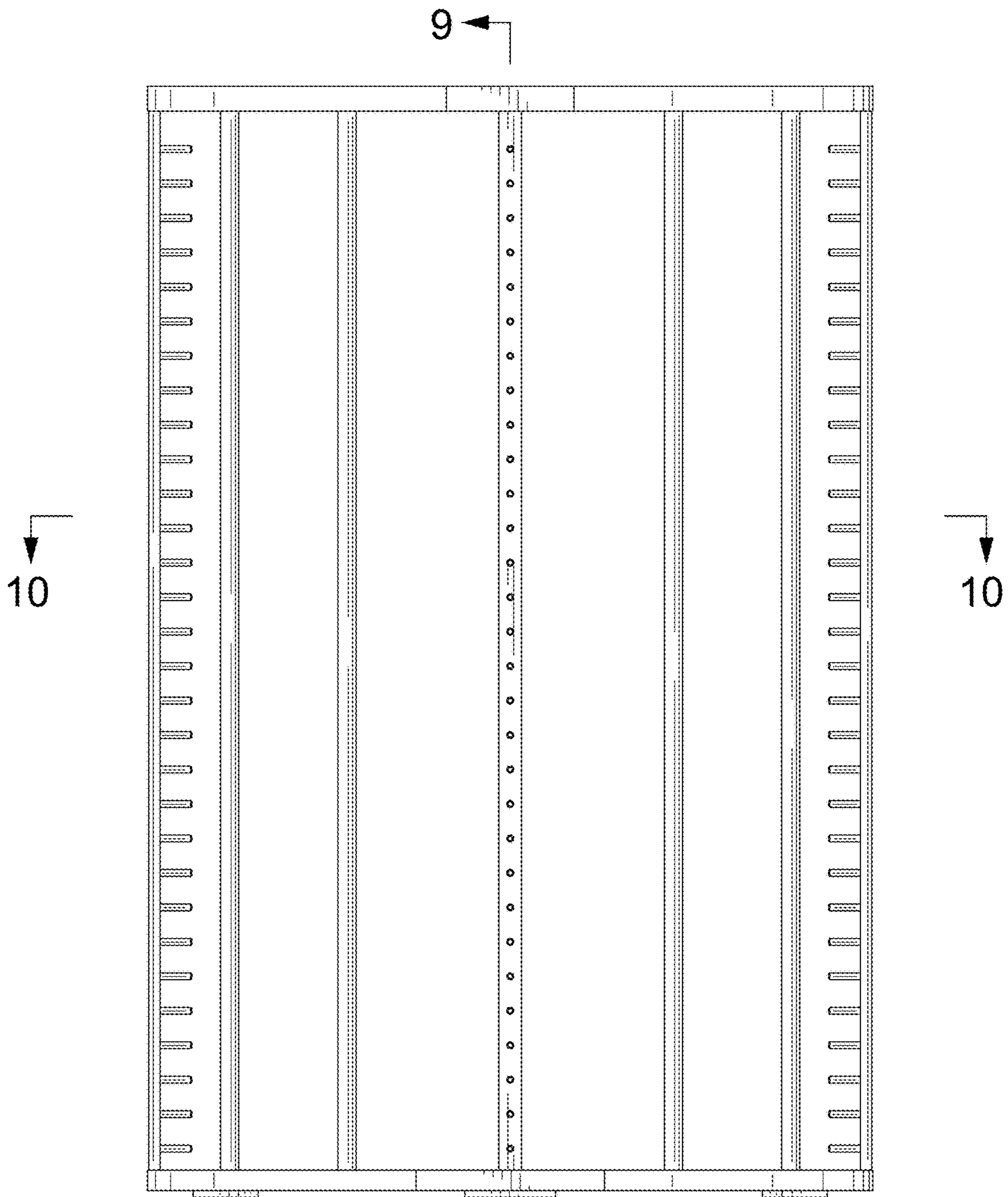


FIG. 3

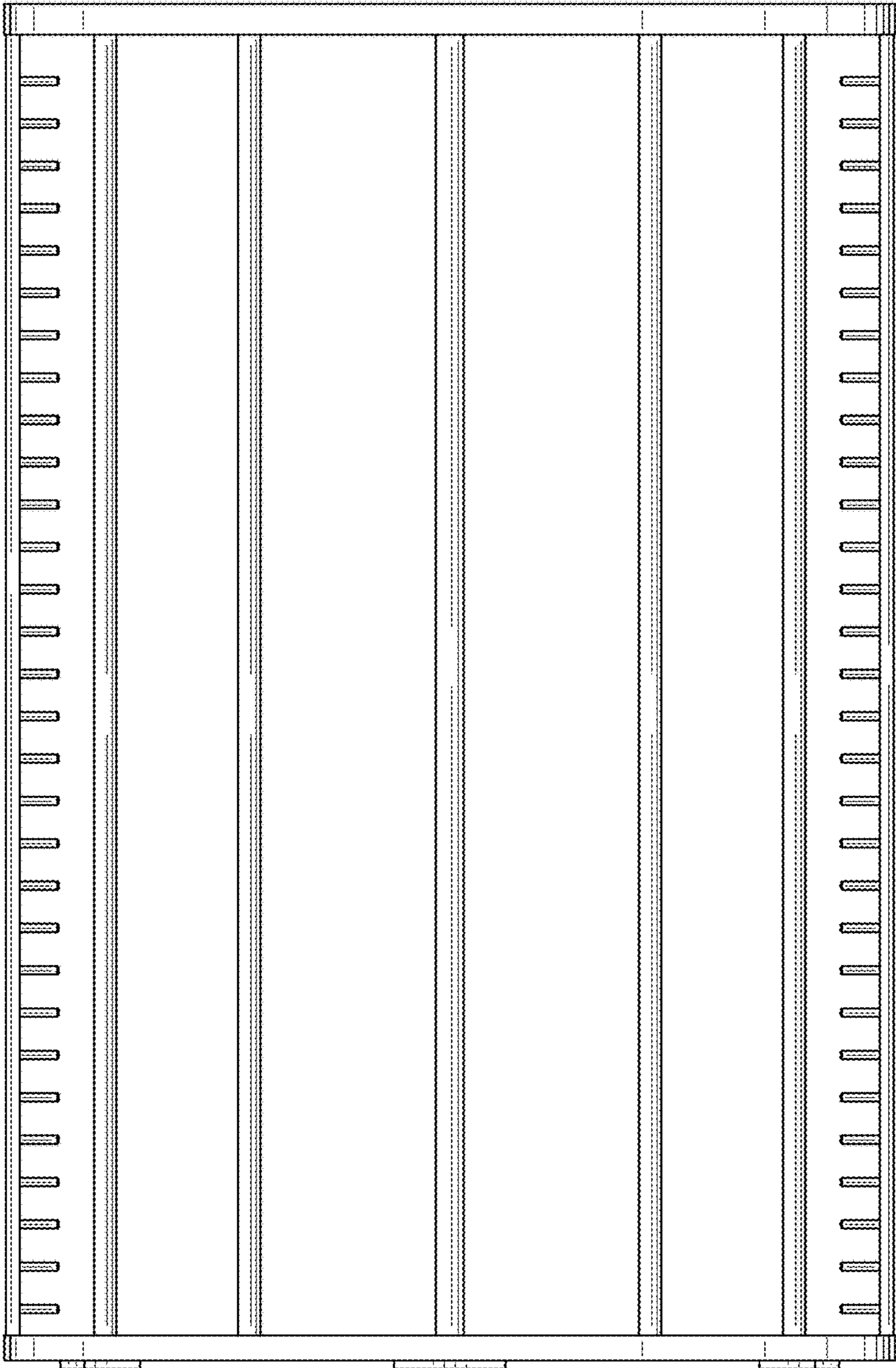


FIG. 4

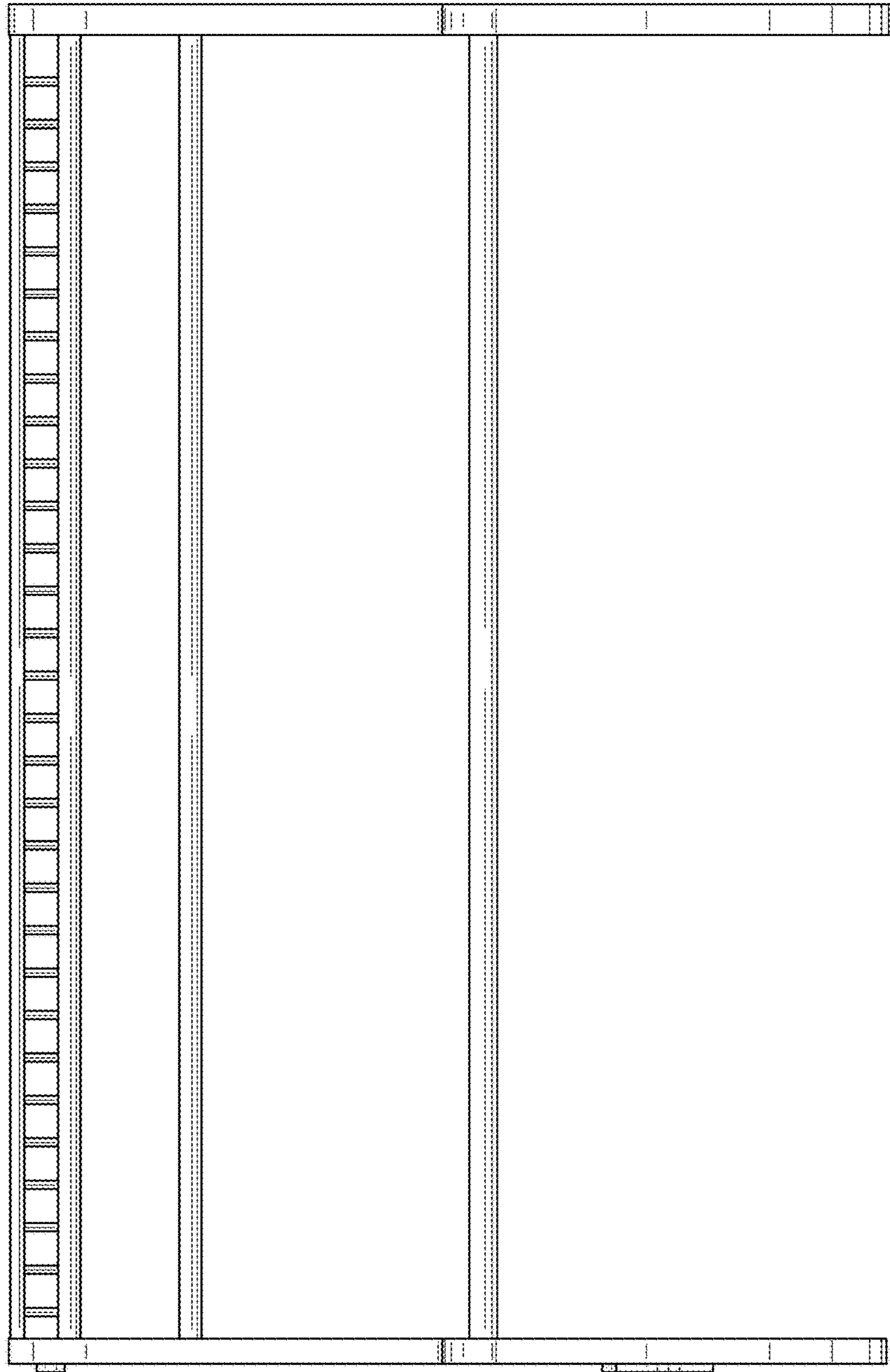


FIG. 5

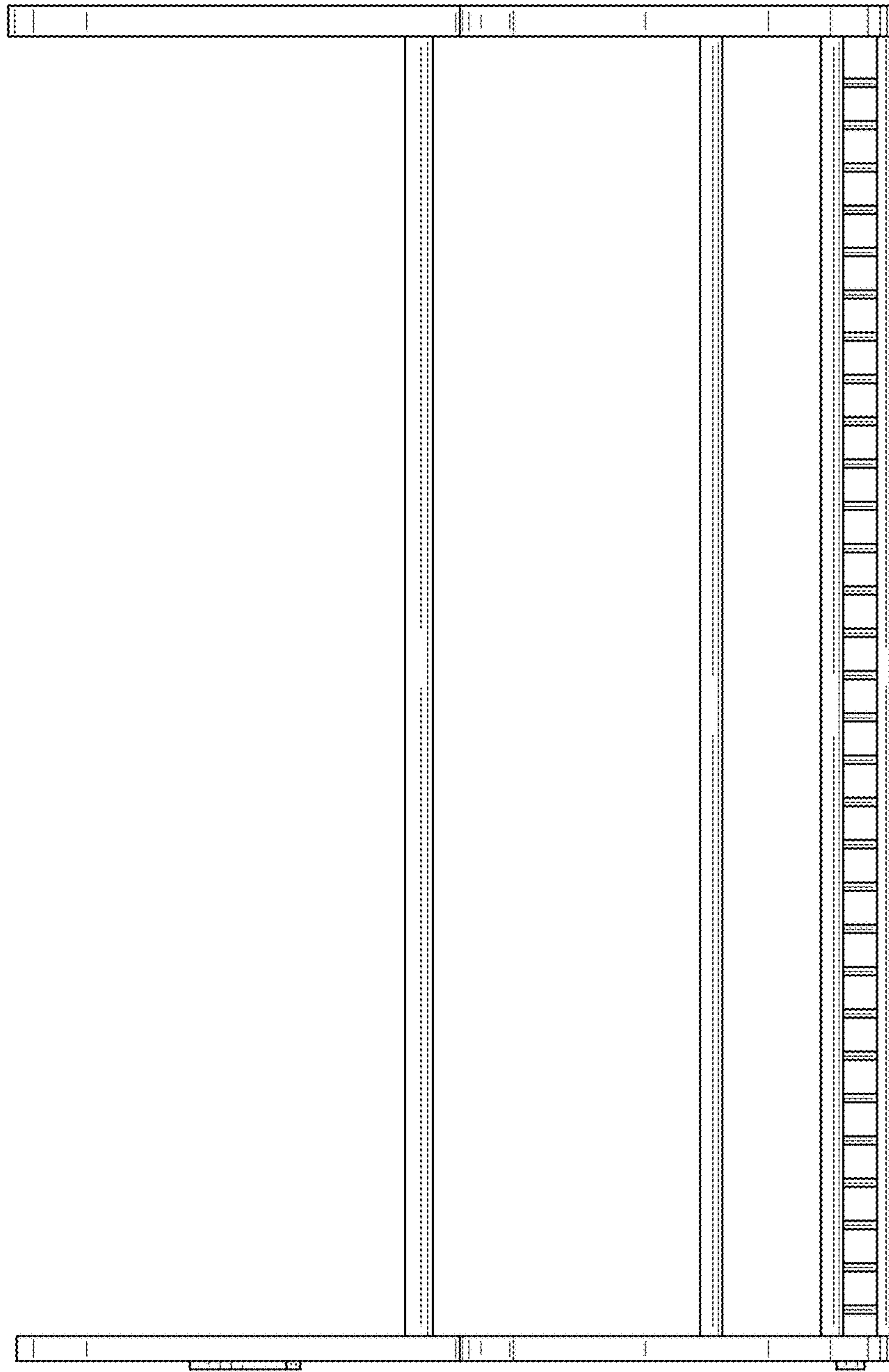


FIG. 6

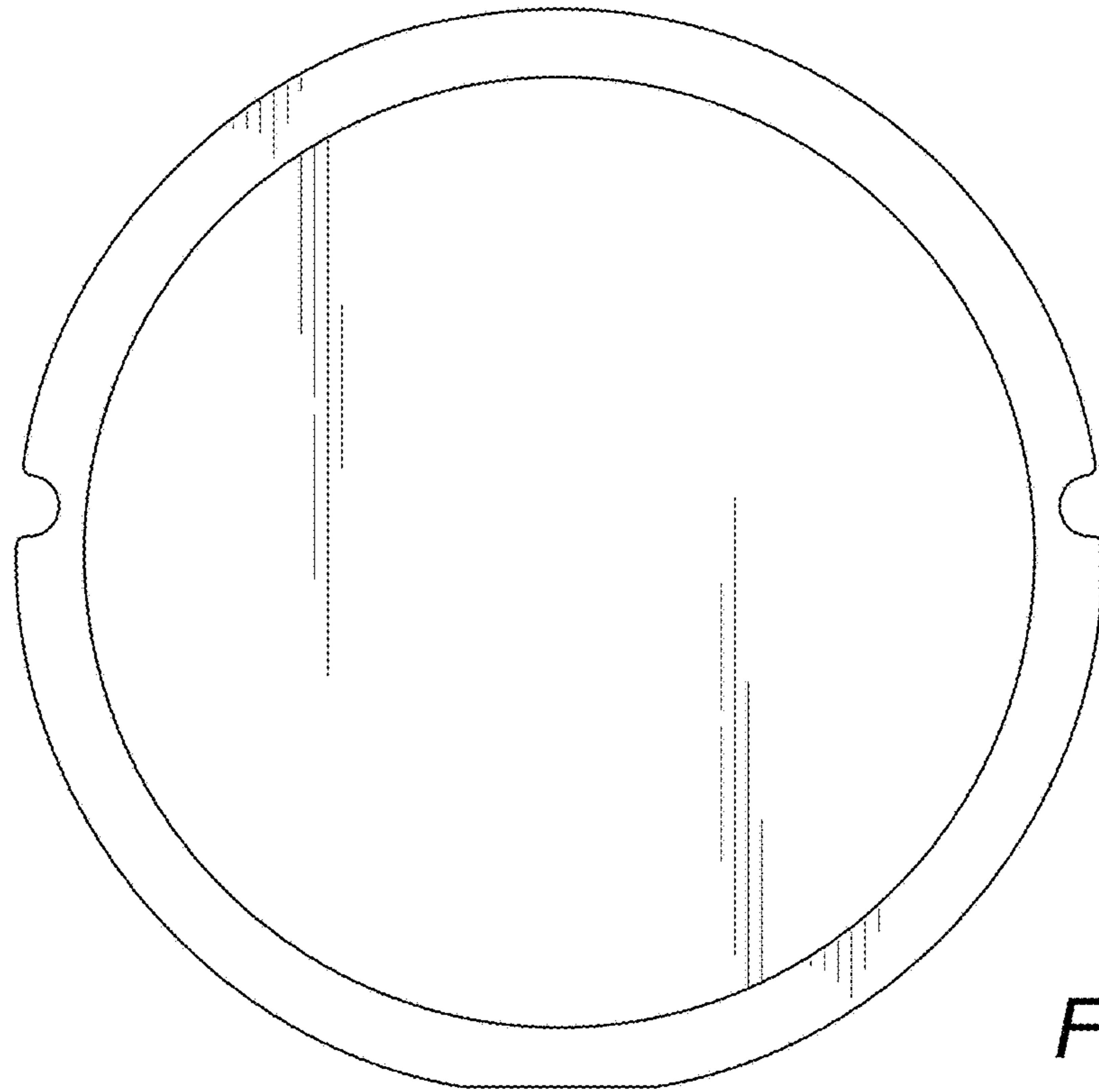


FIG. 7

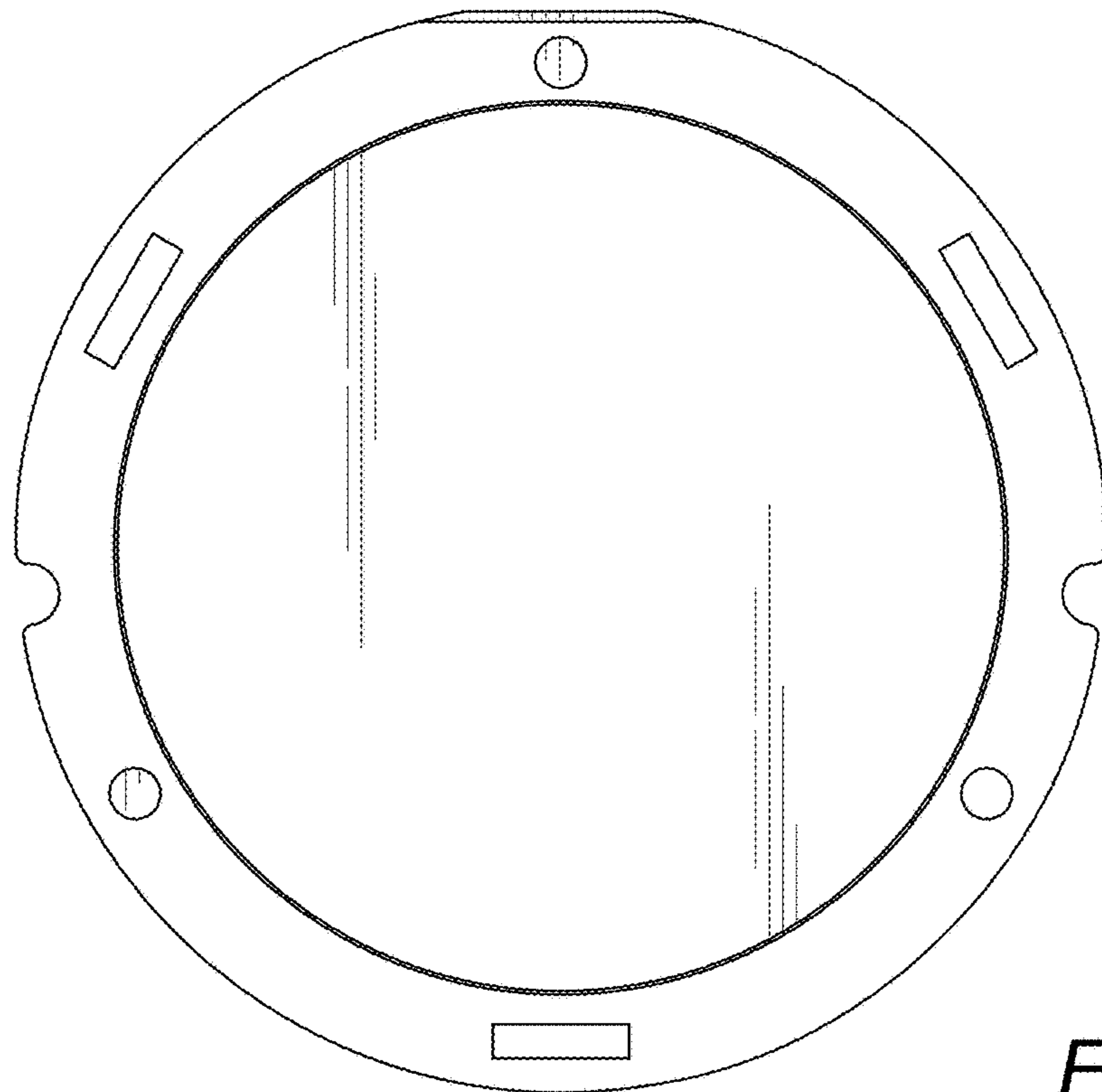


FIG. 8

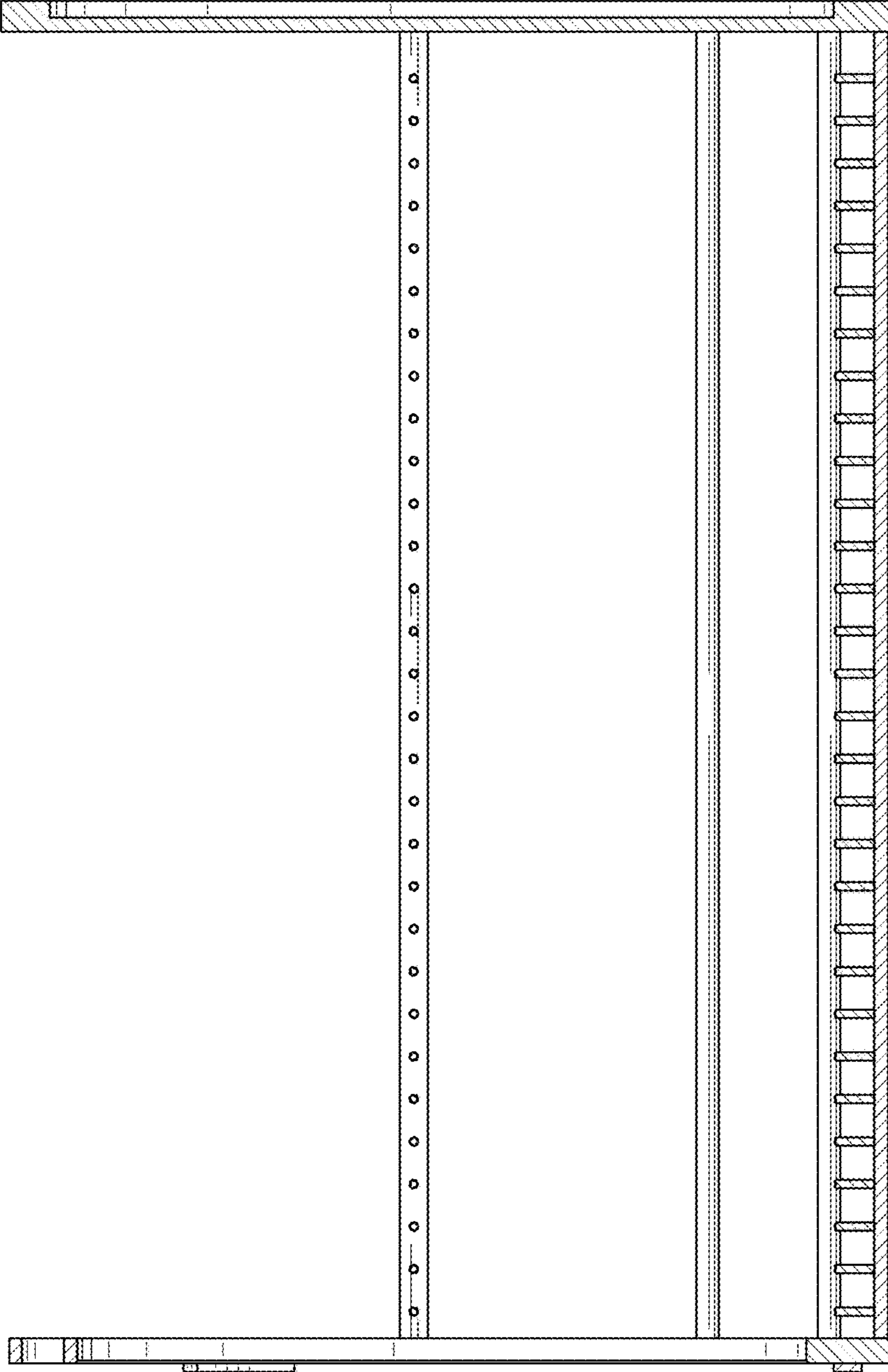


FIG. 9

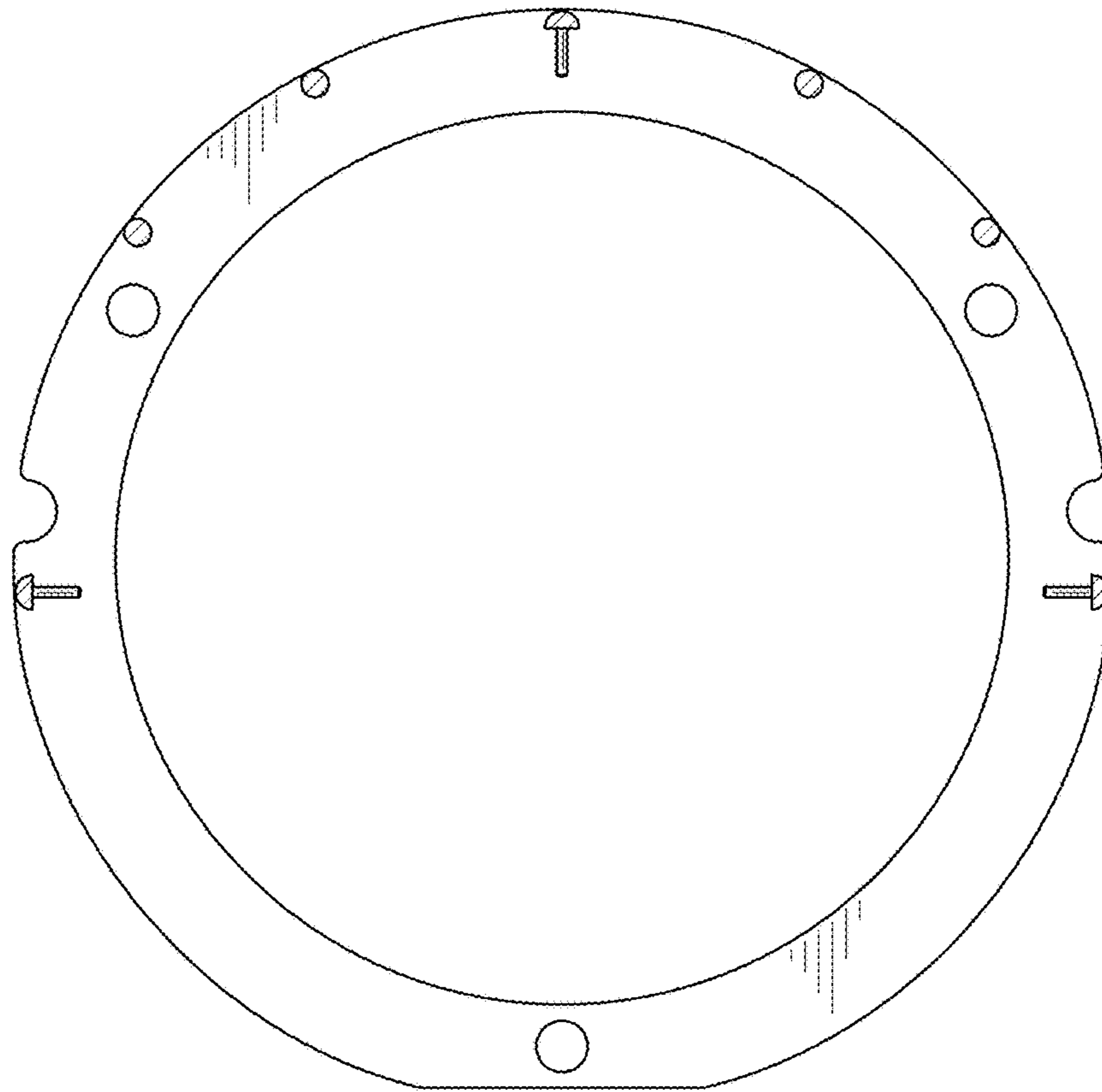


FIG. 10