



US00D839216S

(12) **United States Design Patent**  
**Kim et al.**

(10) **Patent No.:** **US D839,216 S**

(45) **Date of Patent:** **\*\* Jan. 29, 2019**

(54) **REMOTE CONTROLLER**

(71) Applicant: **SZ DJI OSMO TECHNOLOGY CO., LTD.**, Shenzhen (CN)

(72) Inventors: **Min Kim**, Shenzhen (CN); **Jaewan Jeong**, Shenzhen (CN)

(73) Assignee: **SZ DJI OSMO TECHNOLOGY CO., LTD.**, Shenzhen (CN)

(\*\*) Term: **15 Years**

(21) Appl. No.: **29/601,313**

(22) Filed: **Apr. 21, 2017**

(51) **LOC (11) Cl.** ..... **14-03**

(52) **U.S. Cl.**  
USPC ..... **D13/168**

(58) **Field of Classification Search**  
USPC ..... D13/168; D14/218, 356, 388, 412, 413, D14/432, 454; D21/324, 328, 333, 566  
CPC ..... A63H 27/12; A63H 30/04; B64C 19/00; B64C 39/024; G05D 1/0016; G05D 1/0033; G05D 1/0808; G05D 1/0858; G05G 9/047  
See application file for complete search history.

(56) **References Cited**

**U.S. PATENT DOCUMENTS**

D306,998 S *	4/1990	Mintz	.....	D13/164
D503,928 S *	4/2005	Obata	.....	D13/164
D513,737 S *	1/2006	Riley	.....	D13/162
D635,523 S *	4/2011	Andersson	.....	D13/164
8,049,600 B2 *	11/2011	Beard	.....	A63H 30/04 318/16
D658,184 S *	4/2012	Chang	.....	D14/413
D735,722 S *	8/2015	Amann	.....	D14/413

D767,510 S *	9/2016	Zheng	.....	D13/168
D790,545 S *	6/2017	Dannenberg	.....	D14/413
D808,909 S *	1/2018	Findik	.....	D13/168
2008/0180272 A1 *	7/2008	Scherer	.....	A63H 30/04 340/13.24
2017/0277176 A1 *	9/2017	Hutson	.....	G05D 1/0016

\* cited by examiner

*Primary Examiner* — Selina Sikder

(74) *Attorney, Agent, or Firm* — ScienBiziP, P.C.

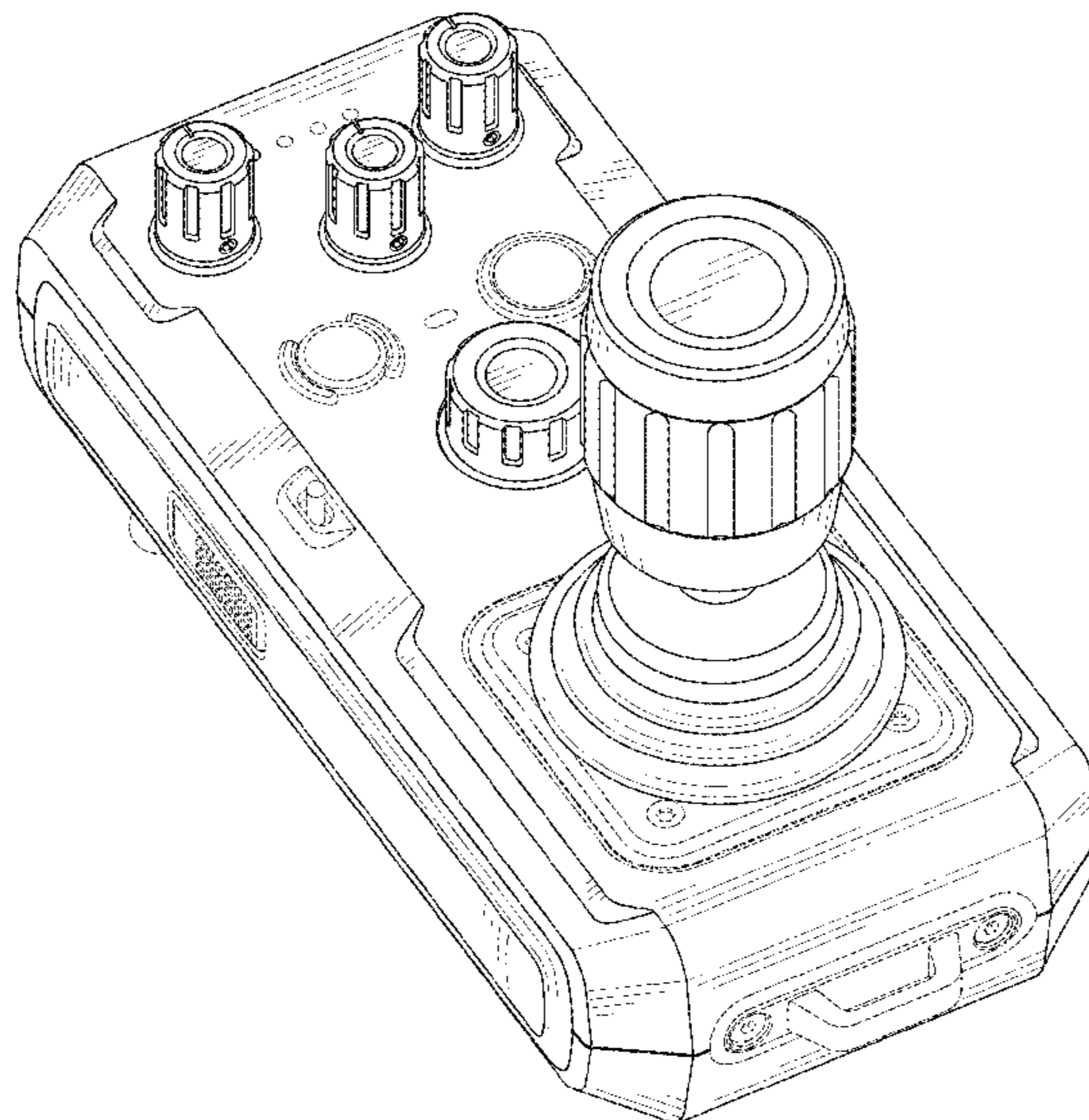
(57) **CLAIM**

The ornamental design for a remote controller, as shown and described.

**DESCRIPTION**

FIG. 1 is a top front perspective view of a remote controller showing my new design;  
 FIG. 2 is a bottom rear perspective view of a remote controller showing my new design;  
 FIG. 3 is a front elevational view of the remote controller of FIG. 1;  
 FIG. 4 is a rear elevational view of the remote controller of FIG. 1;  
 FIG. 5 is a left side elevational view of the remote controller of FIG. 1;  
 FIG. 6 is a right side elevational view of the remote controller of FIG. 1;  
 FIG. 7 is a top plan view of the remote controller of FIG. 1;  
 and,  
 FIG. 8 is a bottom plan view of the remote controller of FIG. 1.  
 The broken lines in the drawings show portions of the remote control that form no part of the claimed design.

**1 Claim, 8 Drawing Sheets**



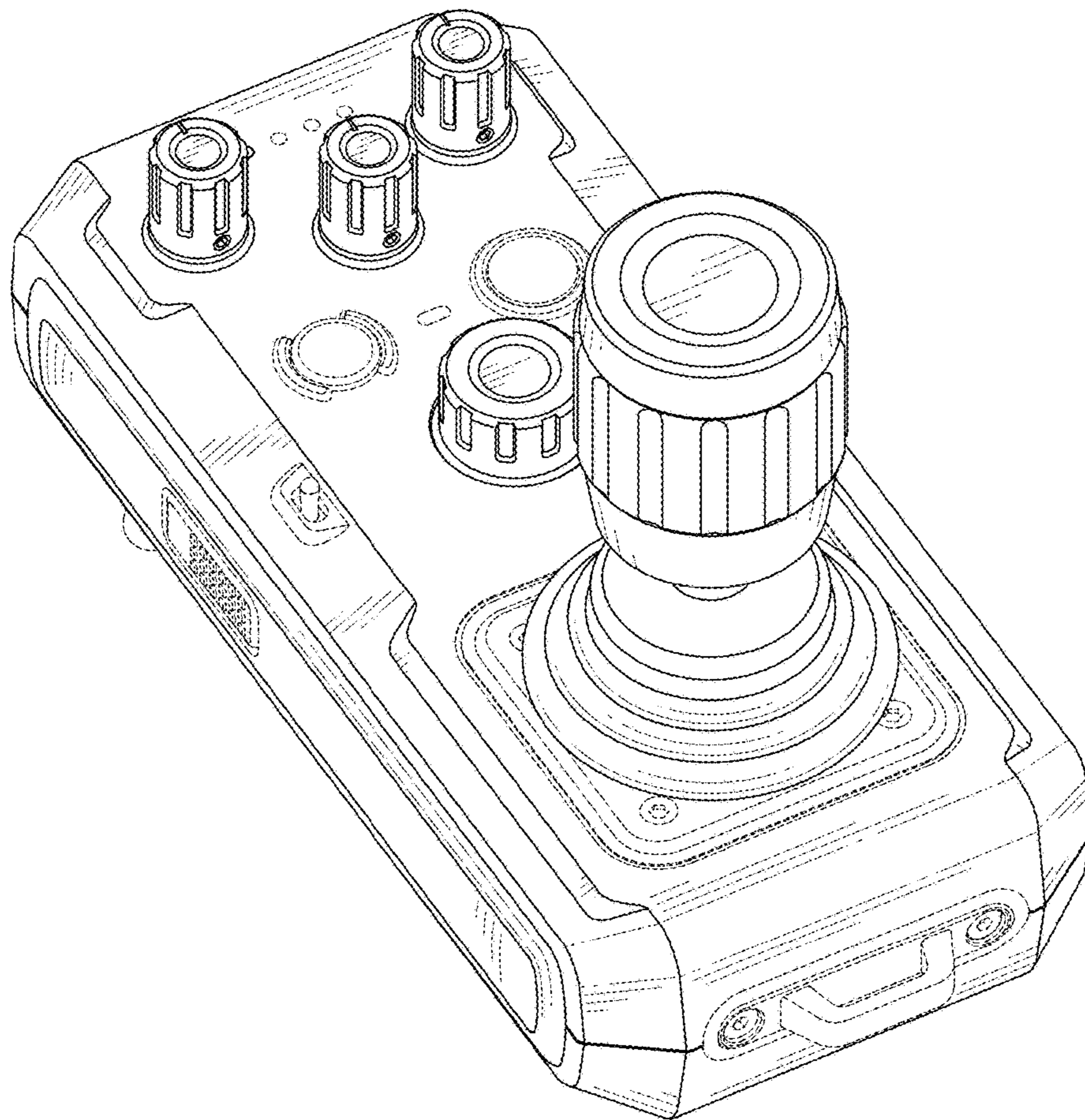


FIG. 1

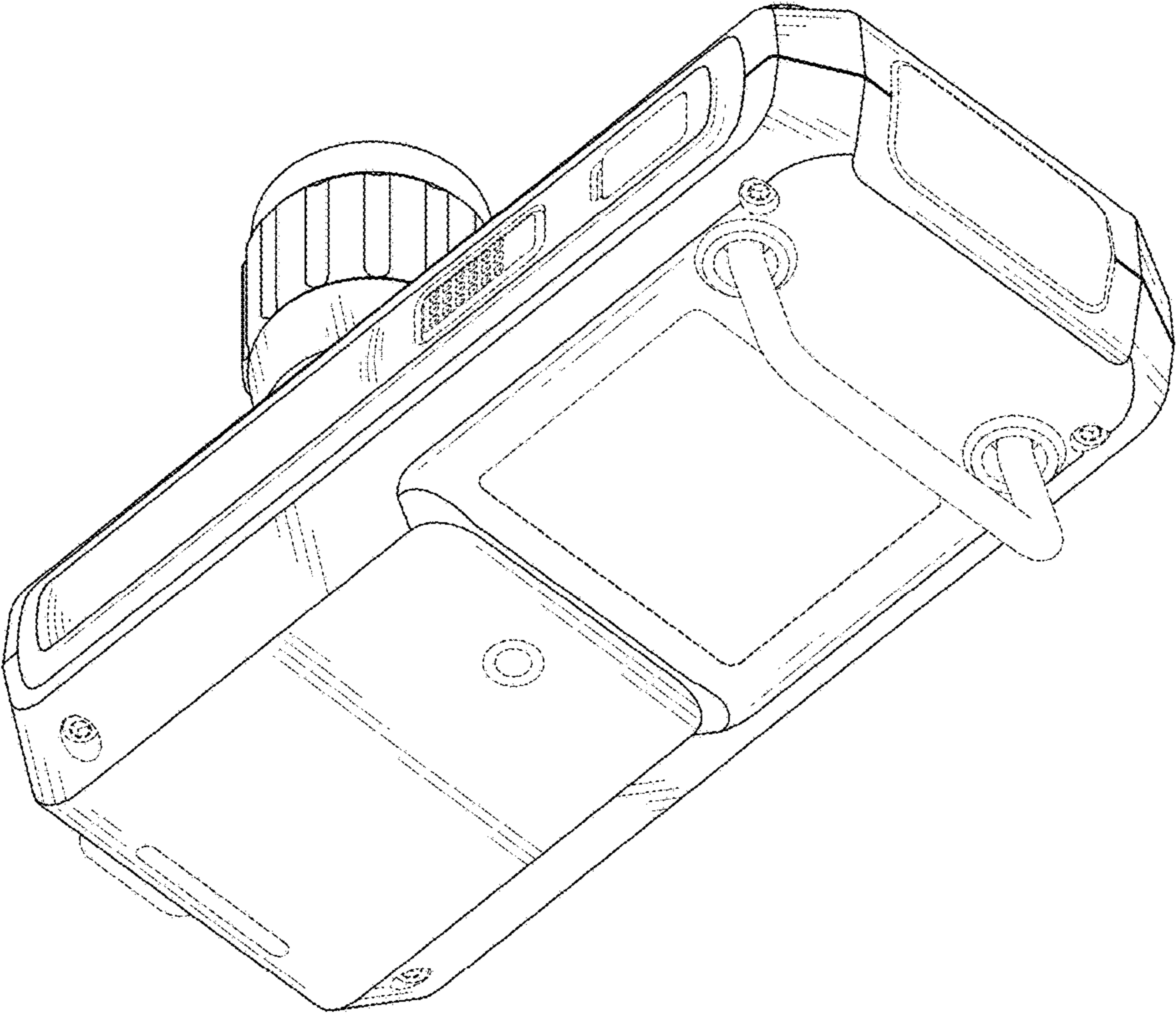


FIG. 2



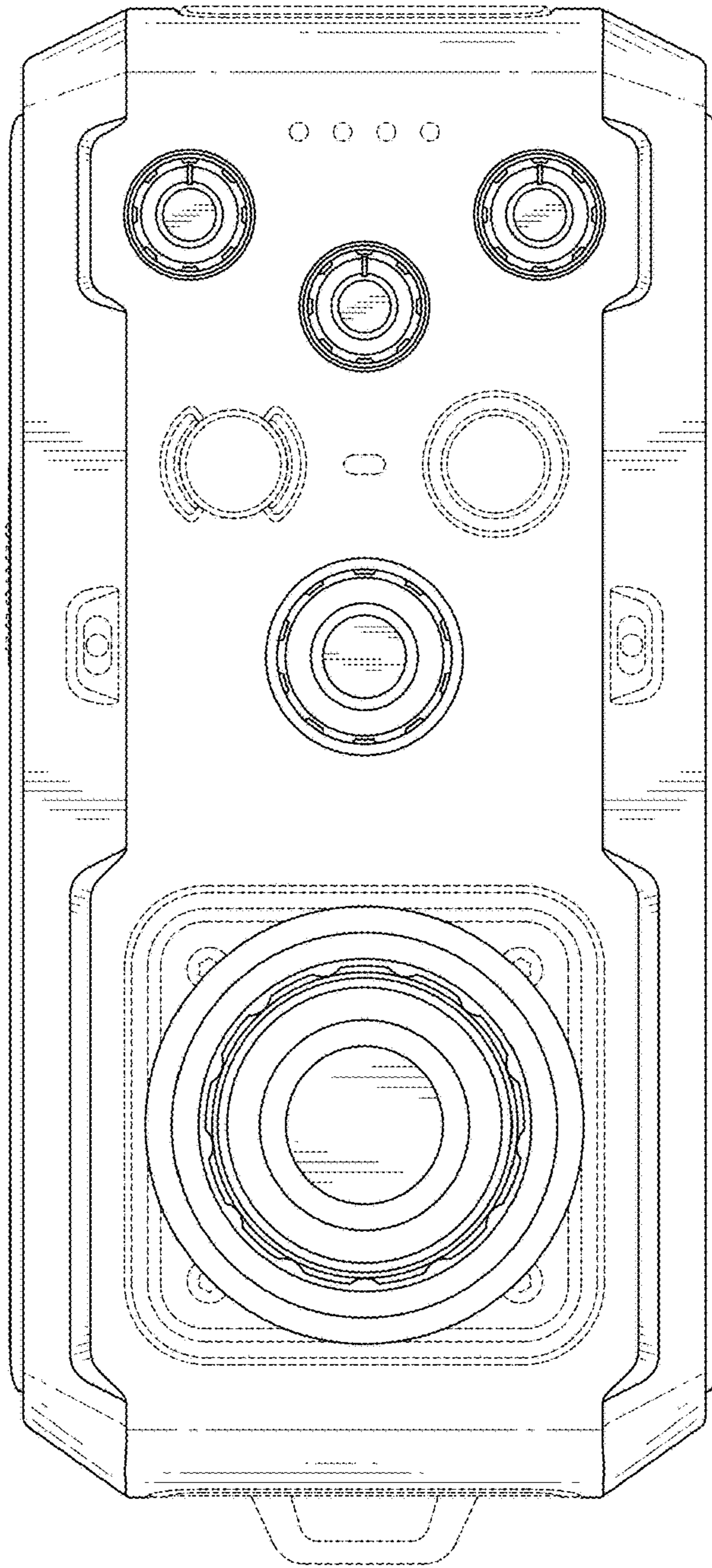


FIG. 3

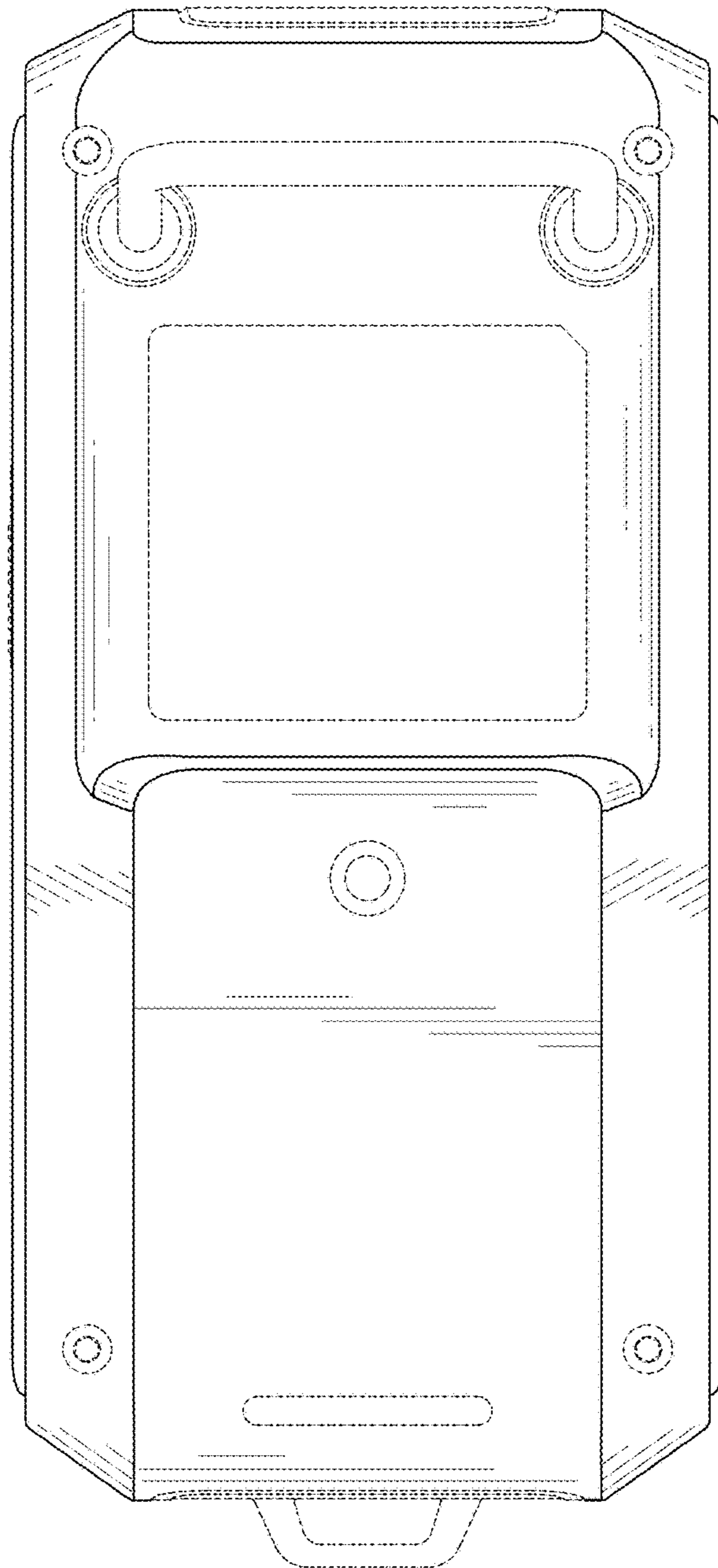


FIG. 4

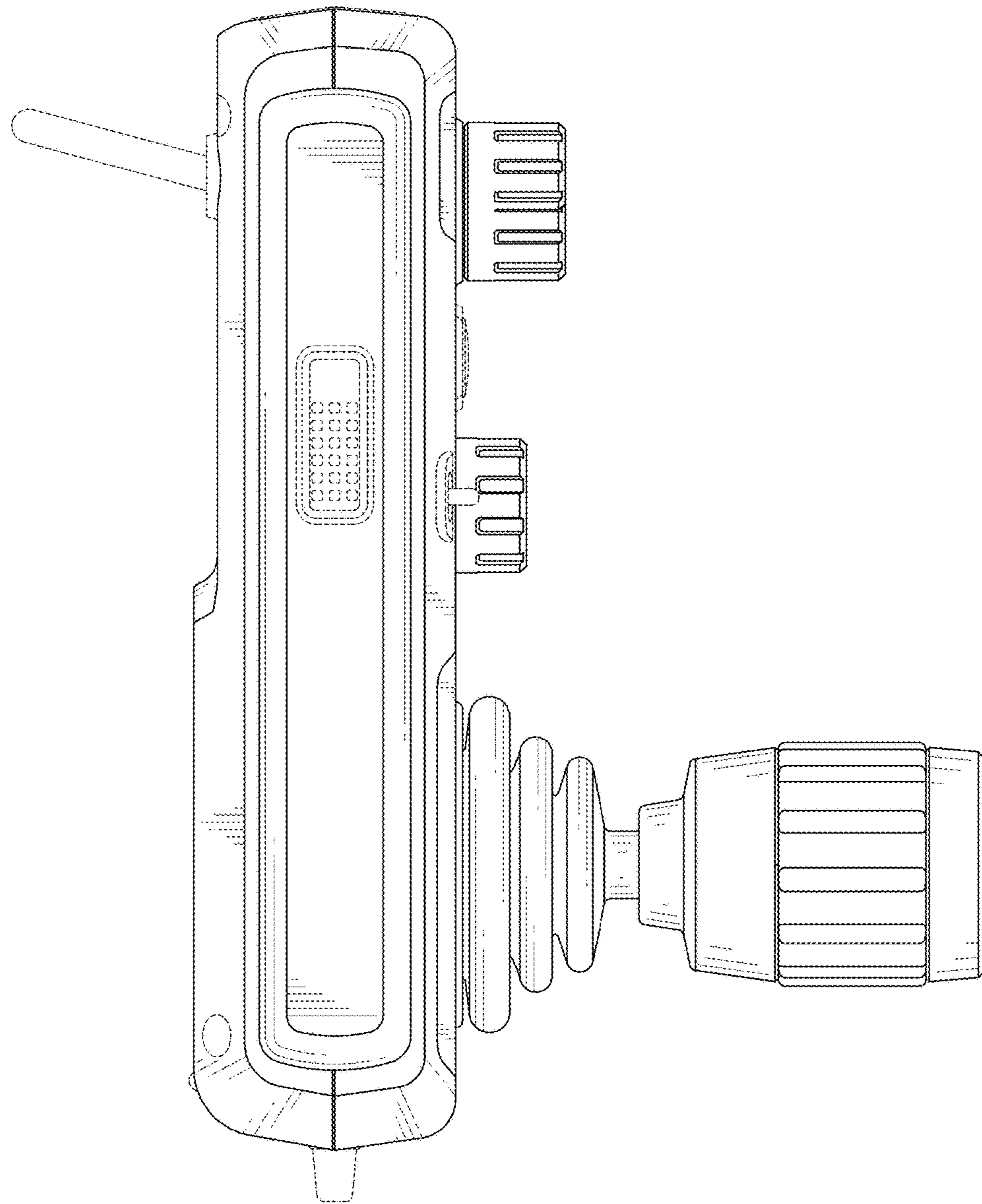


FIG. 5

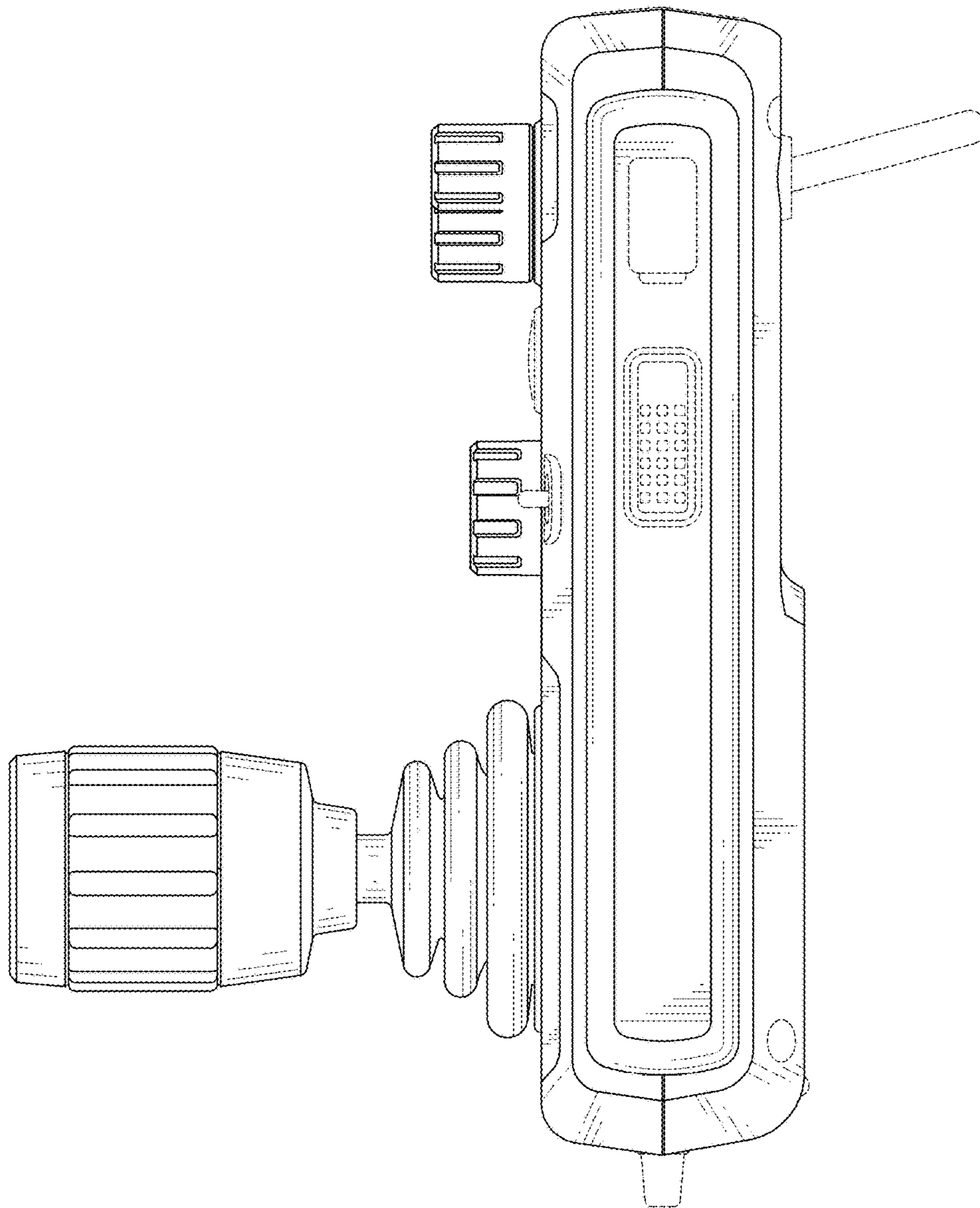


FIG. 6

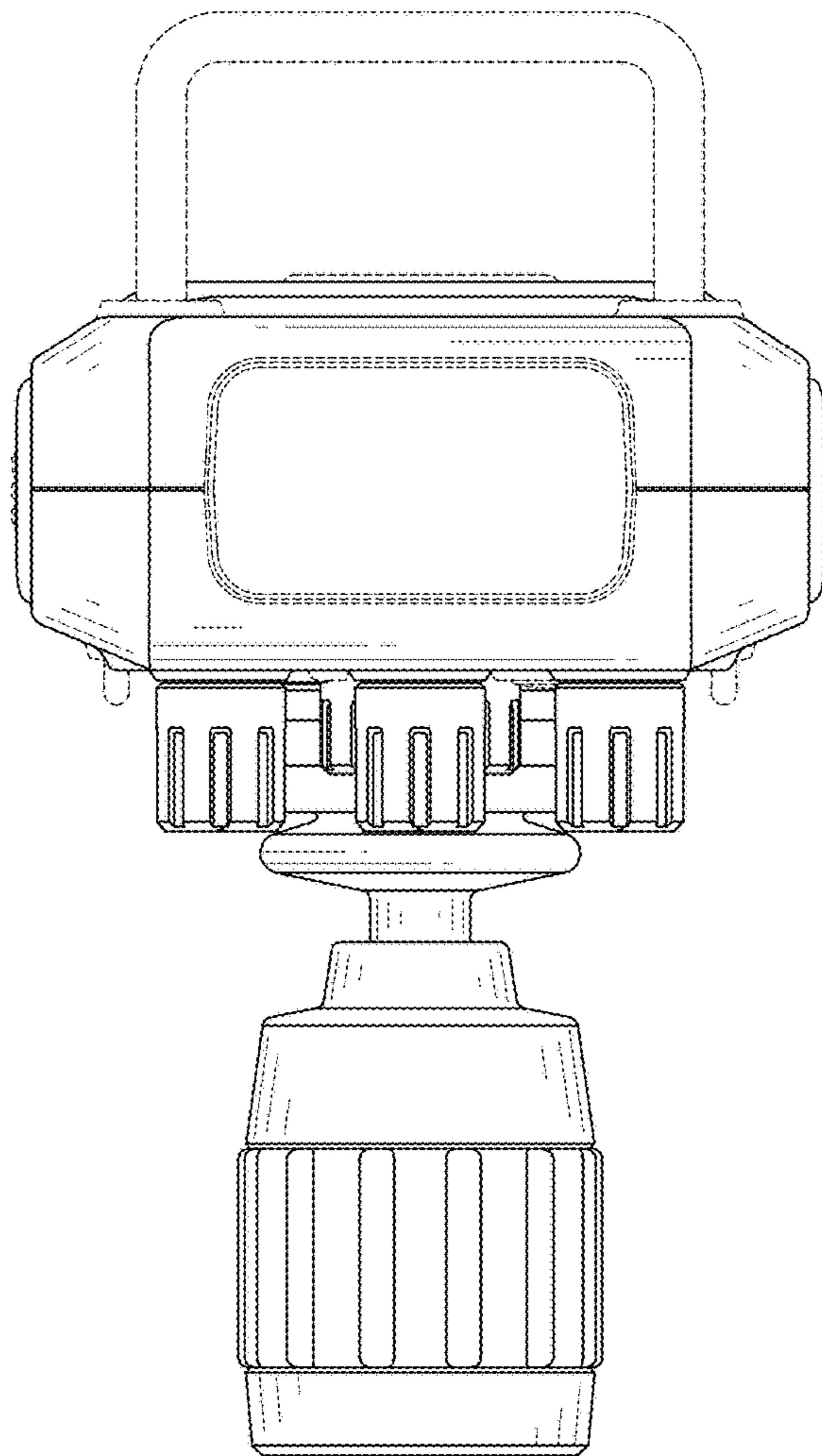


FIG. 7



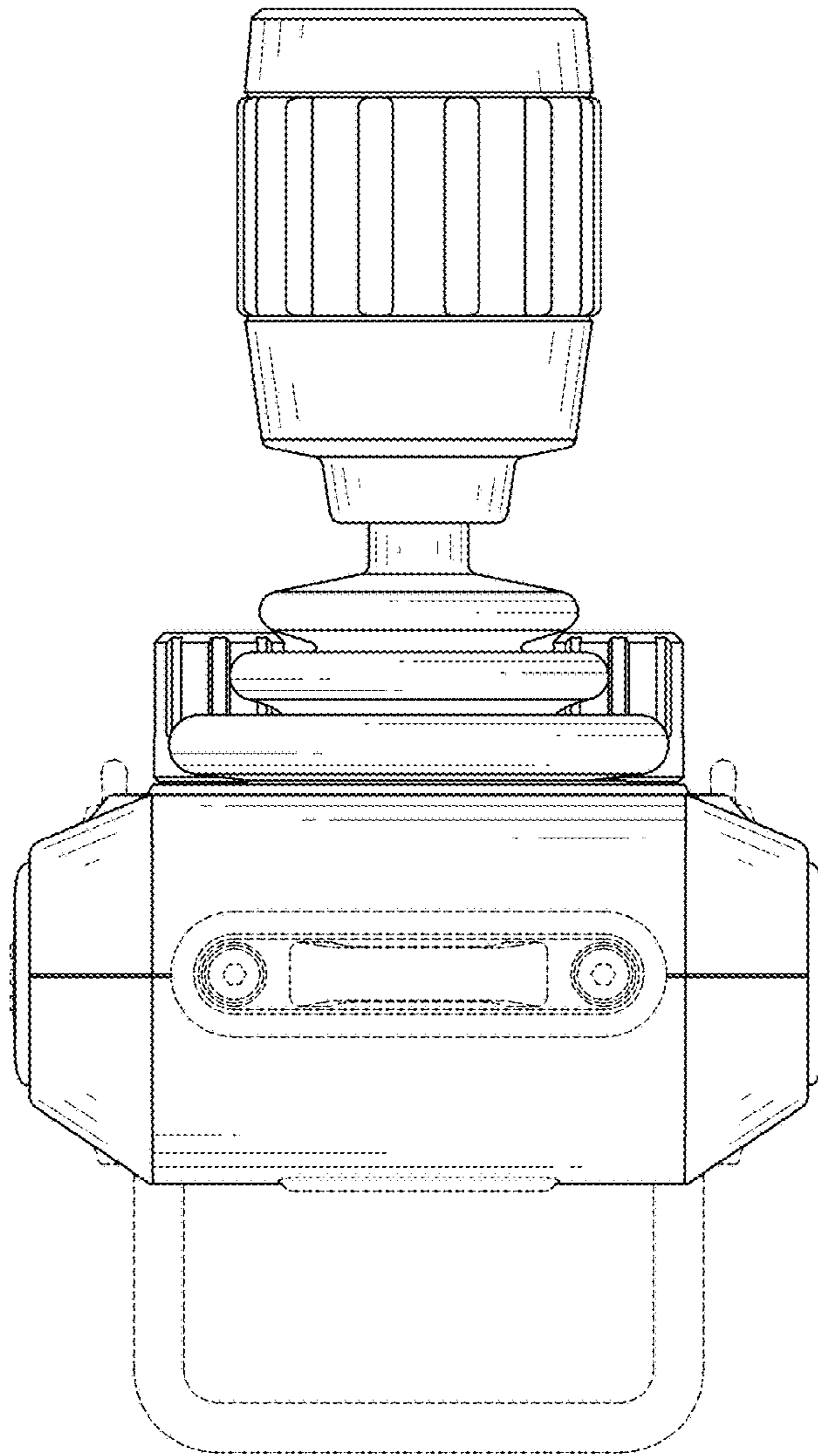


FIG. 8