



US00D839213S

(12) **United States Design Patent**  
**Maroney et al.**

(10) **Patent No.:** **US D839,213 S**  
(45) **Date of Patent:** **\*\* Jan. 29, 2019**

(54) **TORQUE SLEEVE**

(71) Applicant: **PPC Broadband, Inc.**, East Syracuse,  
NY (US)

(72) Inventors: **Richard Maroney**, Camillus, NY (US);  
**Harold Watkins**, Chittenango, NY  
(US); **Steve Stankovski**, Clay, NY (US)

(73) Assignee: **PPC BROADBAND, INC.**, East  
Syracuse, NY (US)

(\*\*) Term: **15 Years**

(21) Appl. No.: **29/633,992**

(22) Filed: **Jan. 17, 2018**

(51) **LOC (11) Cl.** ..... **13-03**

(52) **U.S. Cl.**

USPC ..... **D13/154**; D13/150; D13/133

(58) **Field of Classification Search**

USPC ..... D13/118, 123, 133, 148–151, 153–156,  
D13/173, 184, 199; D8/330, 339, 382,  
D8/383, 387, 396; D23/259, 262;  
D24/107, 127, 129

CPC ..... F16B 41/00; F16B 41/002; H01R 4/00;  
H01R 4/24; H01R 4/38; H01R 9/05;  
H01R 9/0524; H01R 11/03; H01R 12/00;  
H01R 13/00; H01R 13/40; H01R 13/44;  
H01R 13/52; H01R 13/62; H01R 13/622;  
H01R 13/639; H01R 24/525; H01R 43/16

See application file for complete search history.

(56) **References Cited**

**U.S. PATENT DOCUMENTS**

D432,090 S \* 10/2000 Malak ..... D13/154  
D462,058 S \* 8/2002 Montena ..... D13/133  
D582,850 S \* 12/2008 Andre ..... D13/133  
D586,759 S \* 2/2009 Victor ..... D13/156

D743,891 S \* 11/2015 Shaw ..... D13/133  
D751,505 S \* 3/2016 Katagiyama ..... D13/133  
D754,073 S \* 4/2016 Katagiyama ..... D13/133  
D810,685 S \* 2/2018 Watkins ..... D13/133  
2010/0104355 A1\* 4/2010 Sugimoto ..... G02B 6/3897  
403/292  
2017/0365949 A1\* 12/2017 Montena ..... H01R 13/622

**OTHER PUBLICATIONS**

PCT International RG-6 Tri-shield Coax TRS-6L Cnnection with  
Torque Sleeve, dated Dec. 5, 2014, [online], [site visited Aug. 14,  
2018]. Available from Internet, <URL: [https://www.amazon.com/  
PCT-International-Tri-Shield-Connection-Domestic/dp/  
B00QMKWVYU](https://www.amazon.com/PCT-International-Tri-Shield-Connection-Domestic/dp/B00QMKWVYU)> (Year: 2014).\*

PCT Torque Sleeve Tutorial, dated Jun. 18, 2012, [online], [site  
visited Aug. 14, 2018]. Available from Internet, <URL: [https://www.  
youtube.com/watch?v=F1dCudMel6o](https://www.youtube.com/watch?v=F1dCudMel6o)> (Year: 2012).\*

\* cited by examiner

*Primary Examiner* — Angela J Lee

*Assistant Examiner* — Shawn T Gingrich

(74) *Attorney, Agent, or Firm* — Oliff PLC

(57) **CLAIM**

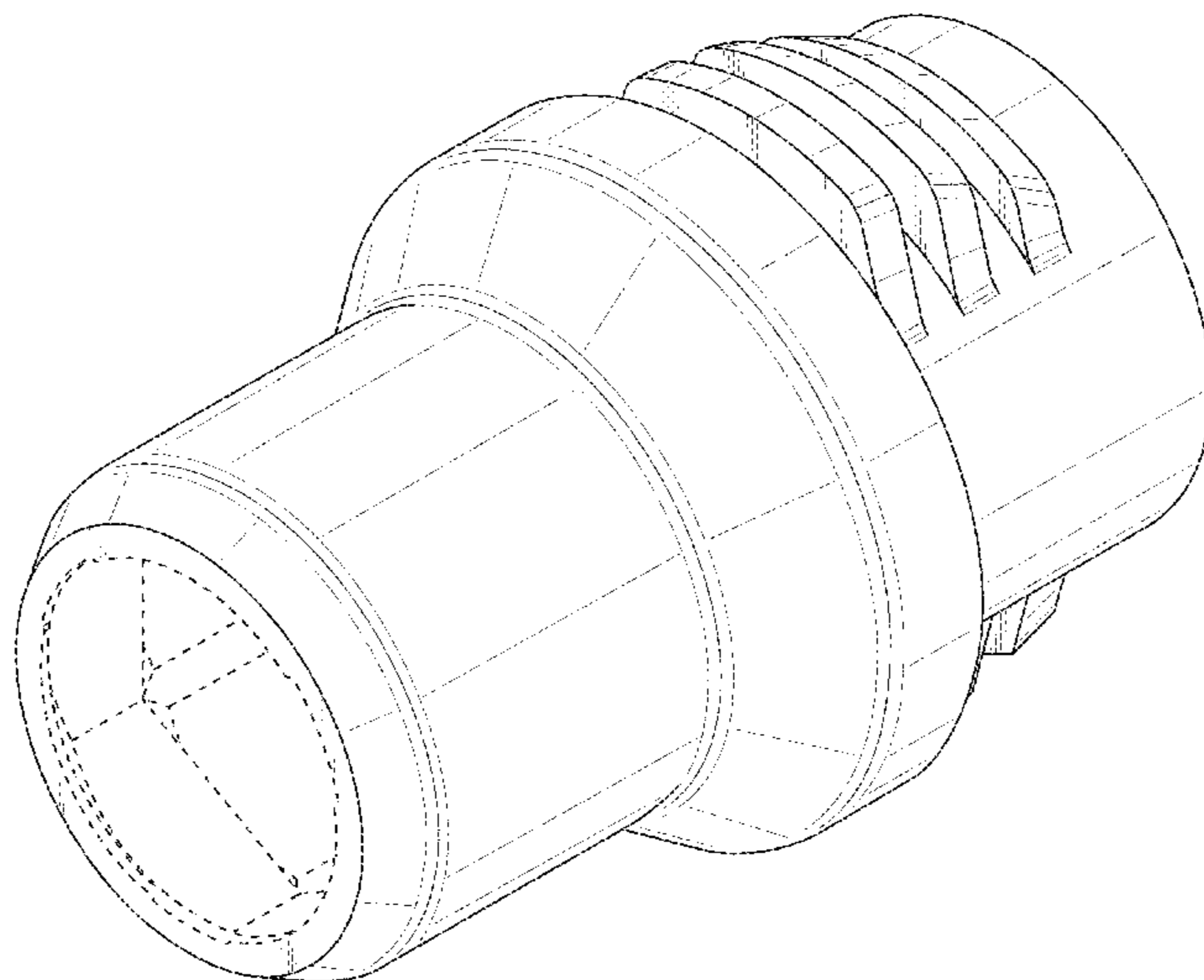
The ornamental design for a torque sleeve, as shown and  
described.

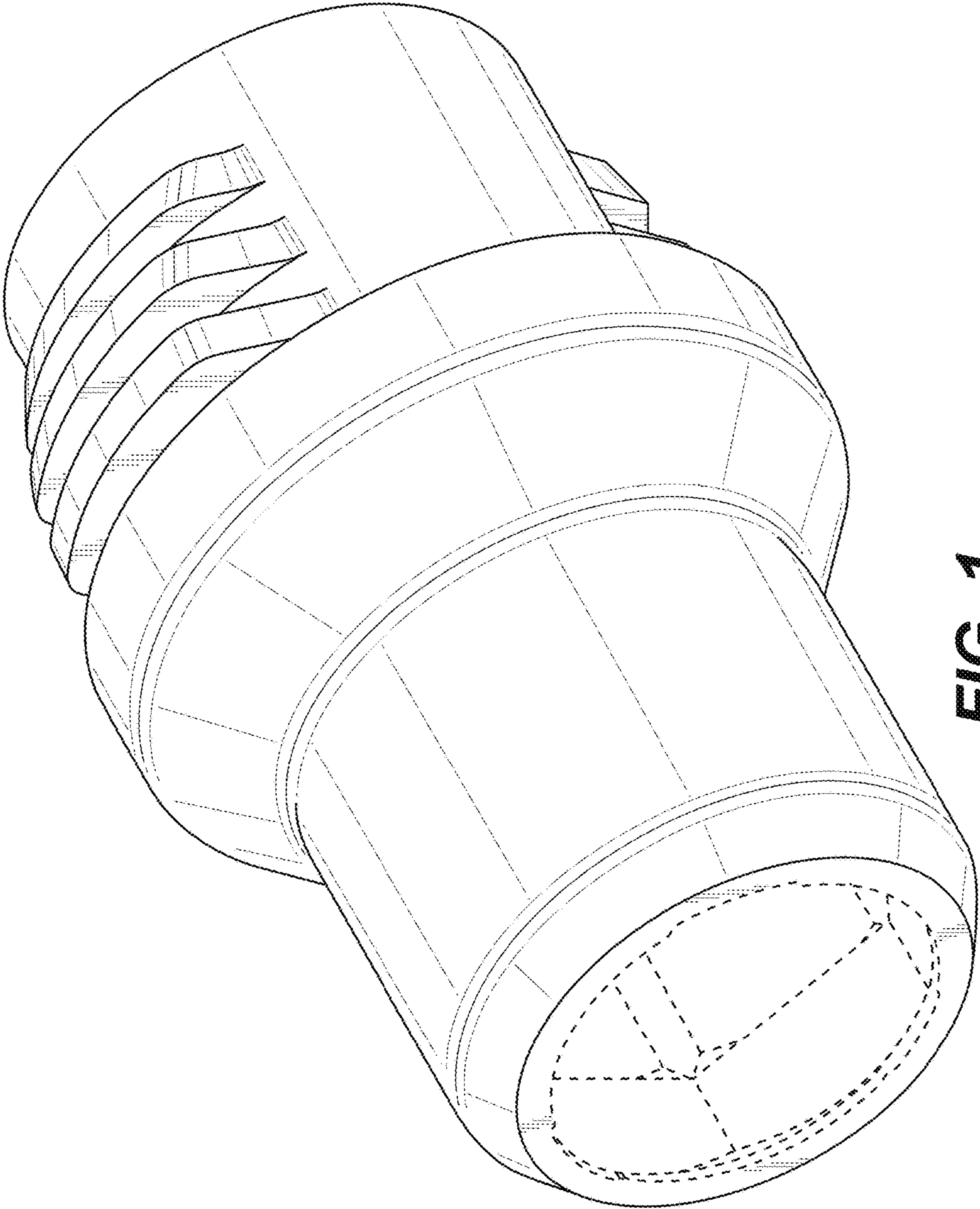
**DESCRIPTION**

FIG. 1 is a front, top, left-side view of the torque sleeve;  
FIG. 2 is a front elevational view thereof;  
FIG. 3 is a rear elevational view thereof;  
FIG. 4 is a right-side elevational view thereof;  
FIG. 5 is a left-side elevational view thereof;  
FIG. 6 is a top plan view thereof; and,  
FIG. 7 is a bottom plan view thereof.

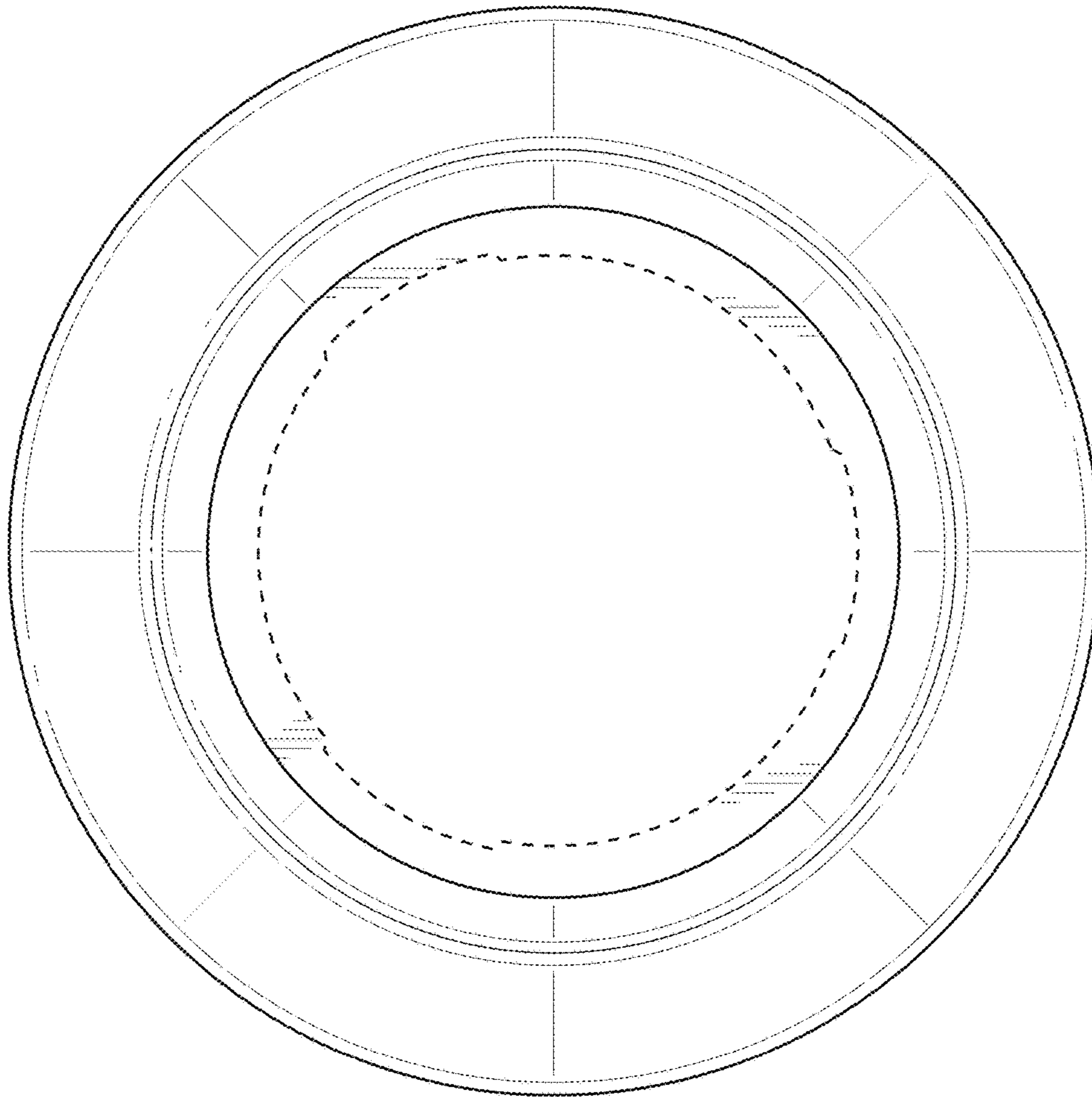
The broken lines in the drawings depict portions of the  
torque sleeve that form no part of the claimed design.

**1 Claim, 7 Drawing Sheets**

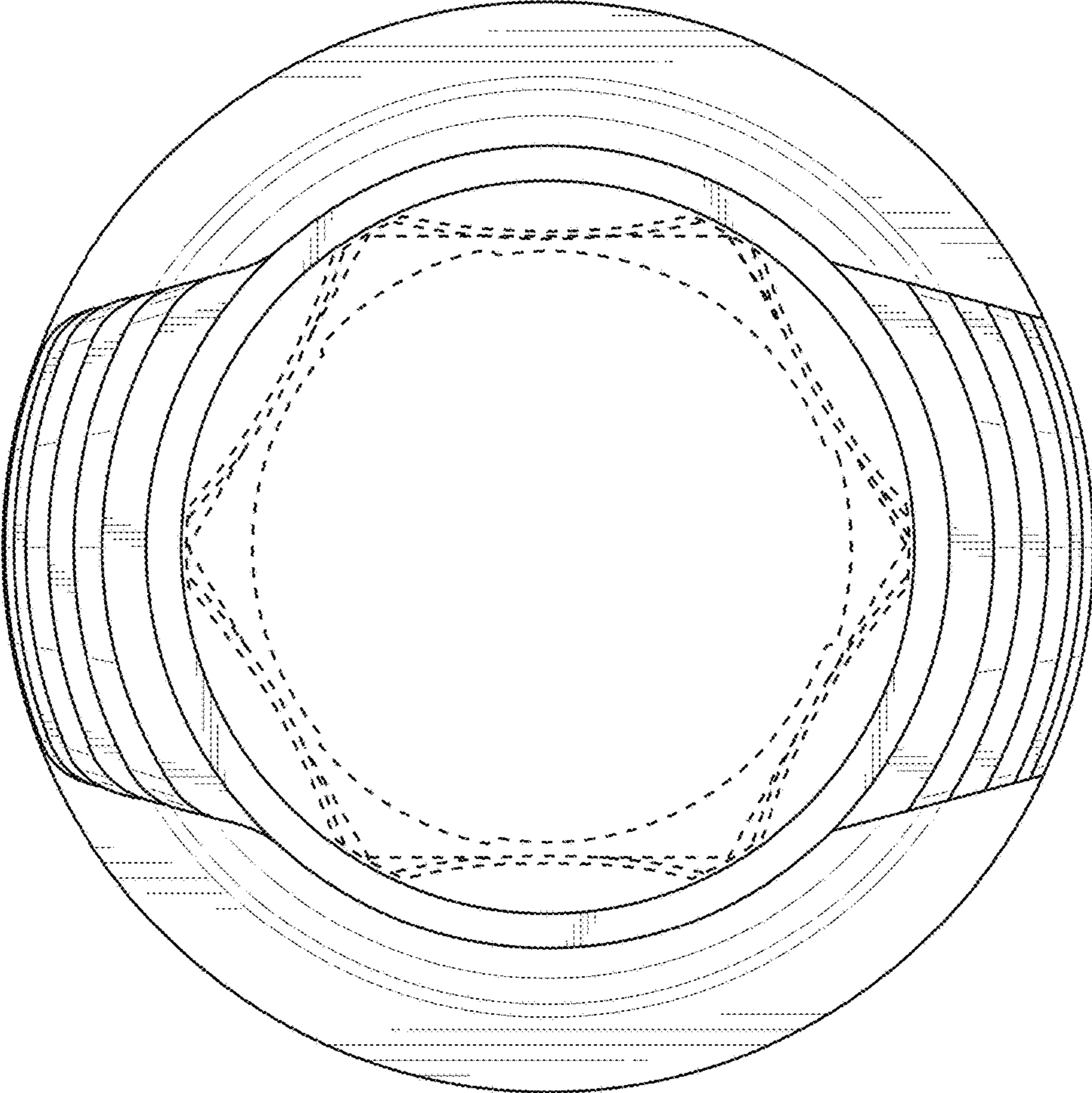




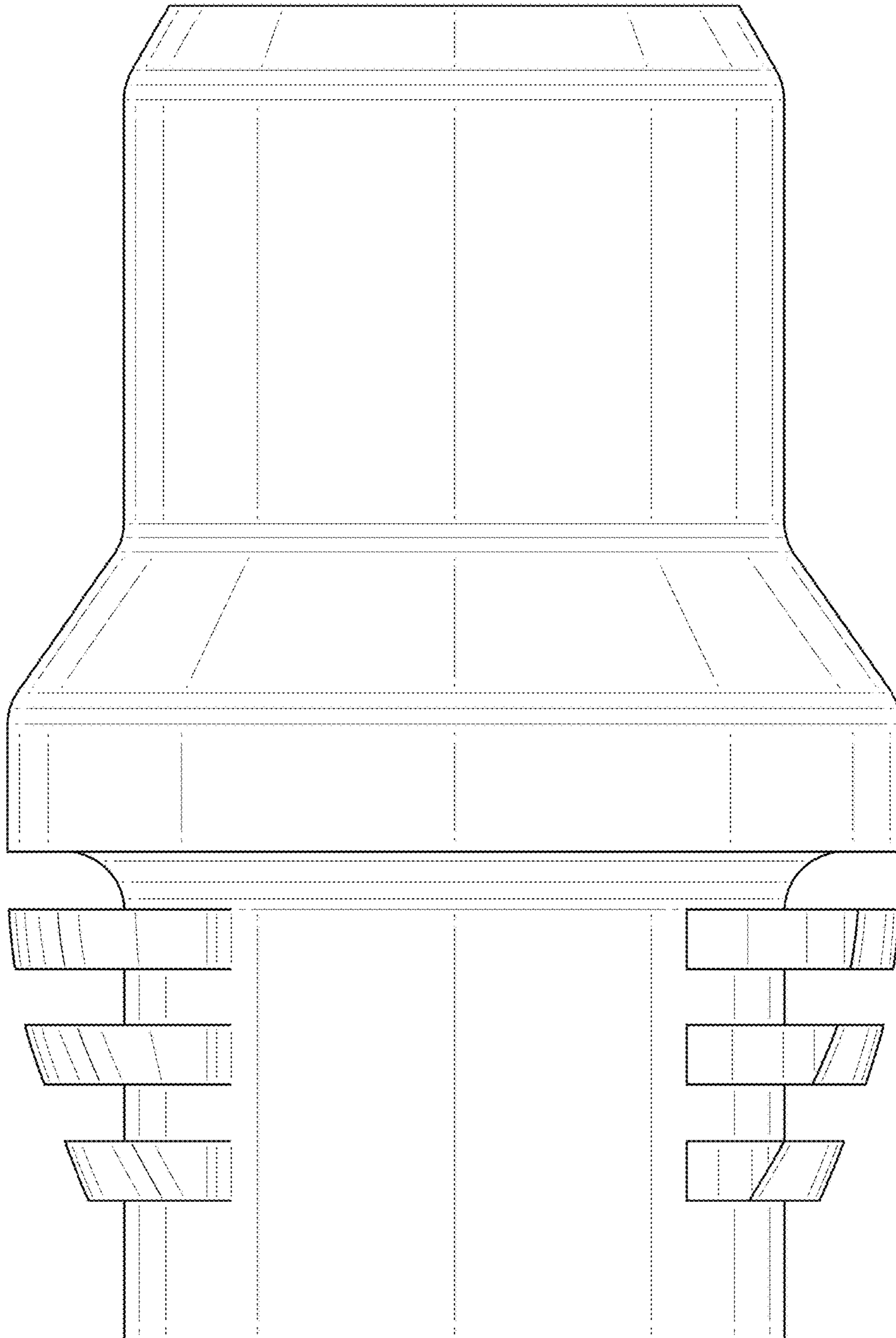
**FIG. 1**



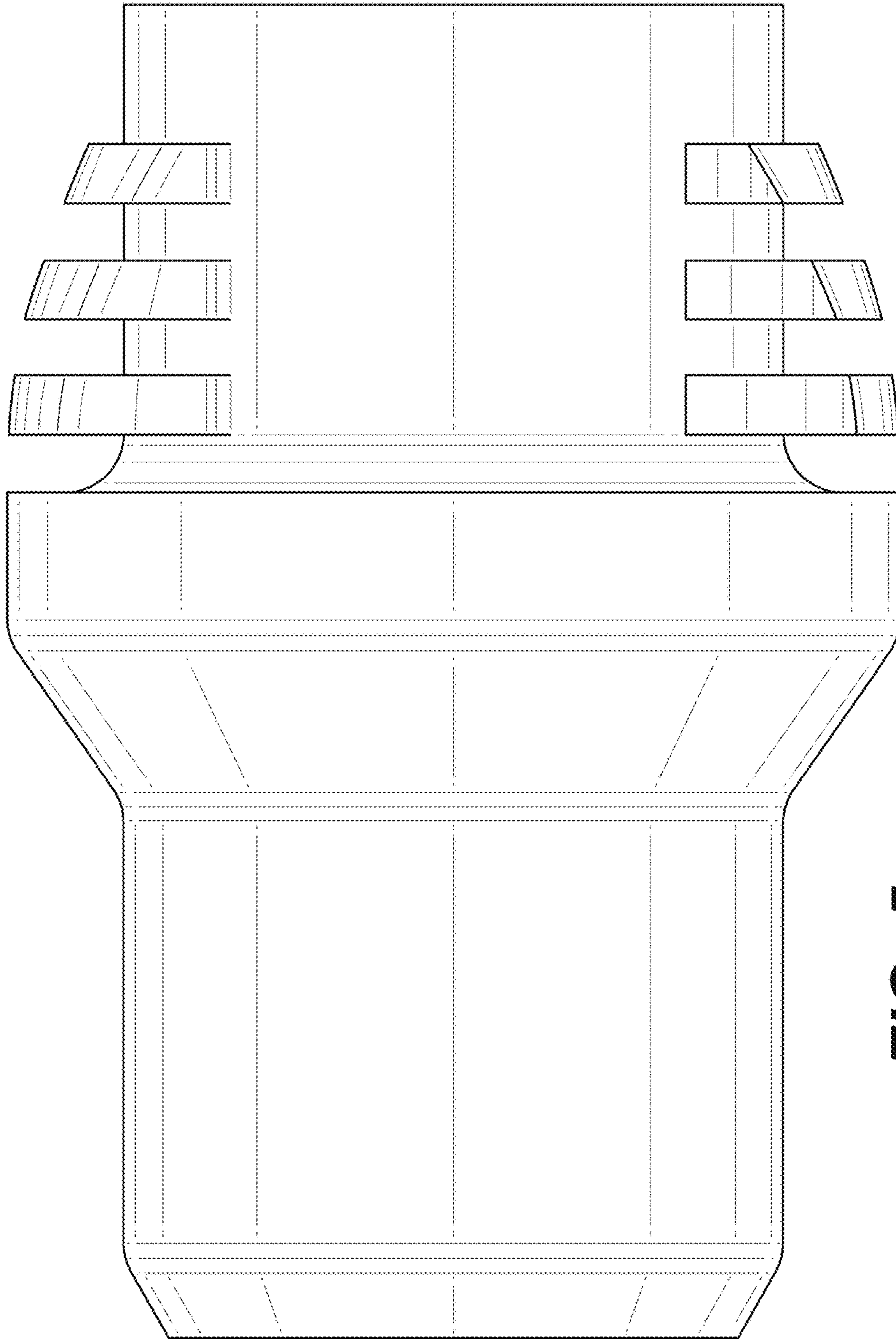
**FIG. 2**



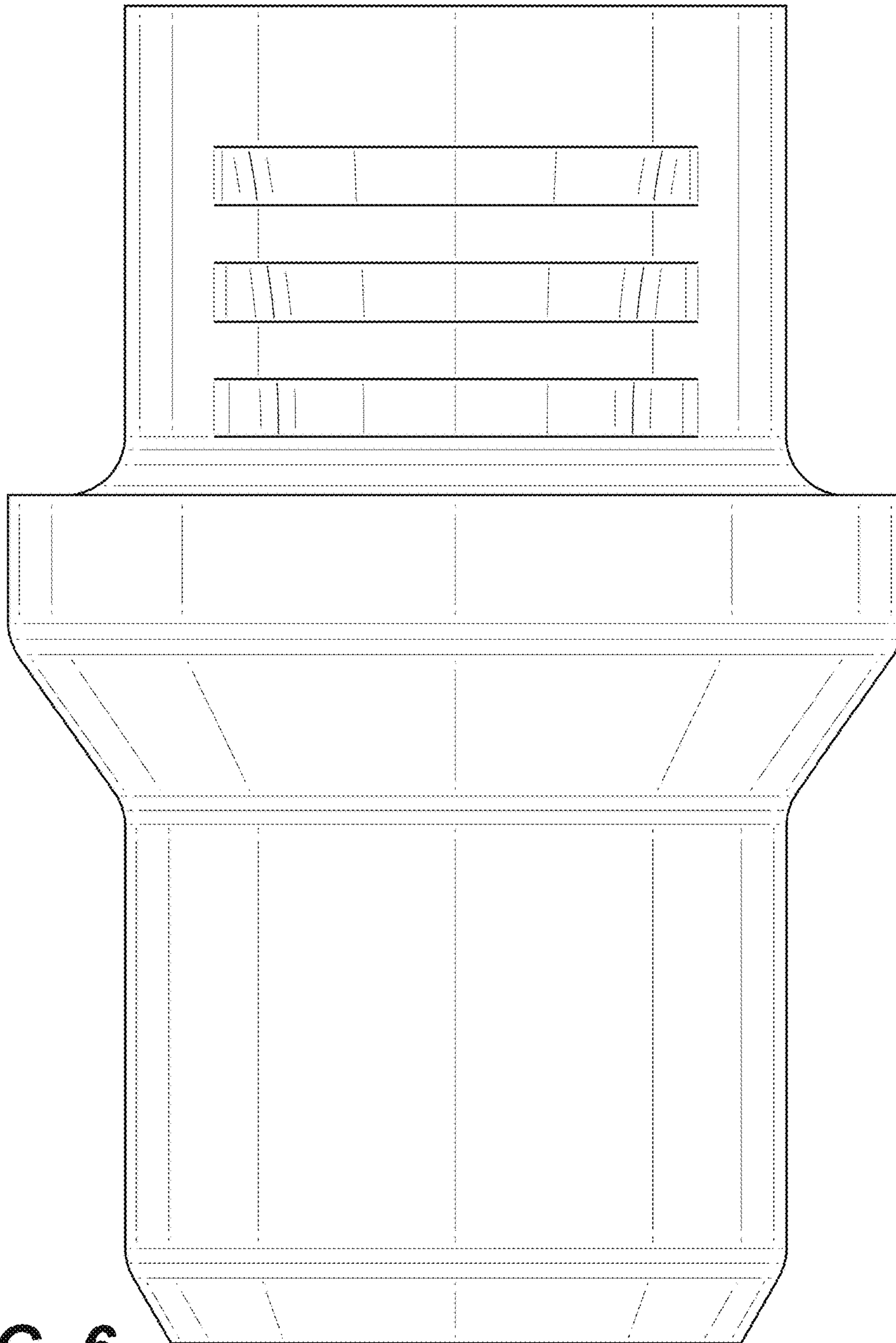
**FIG. 3**



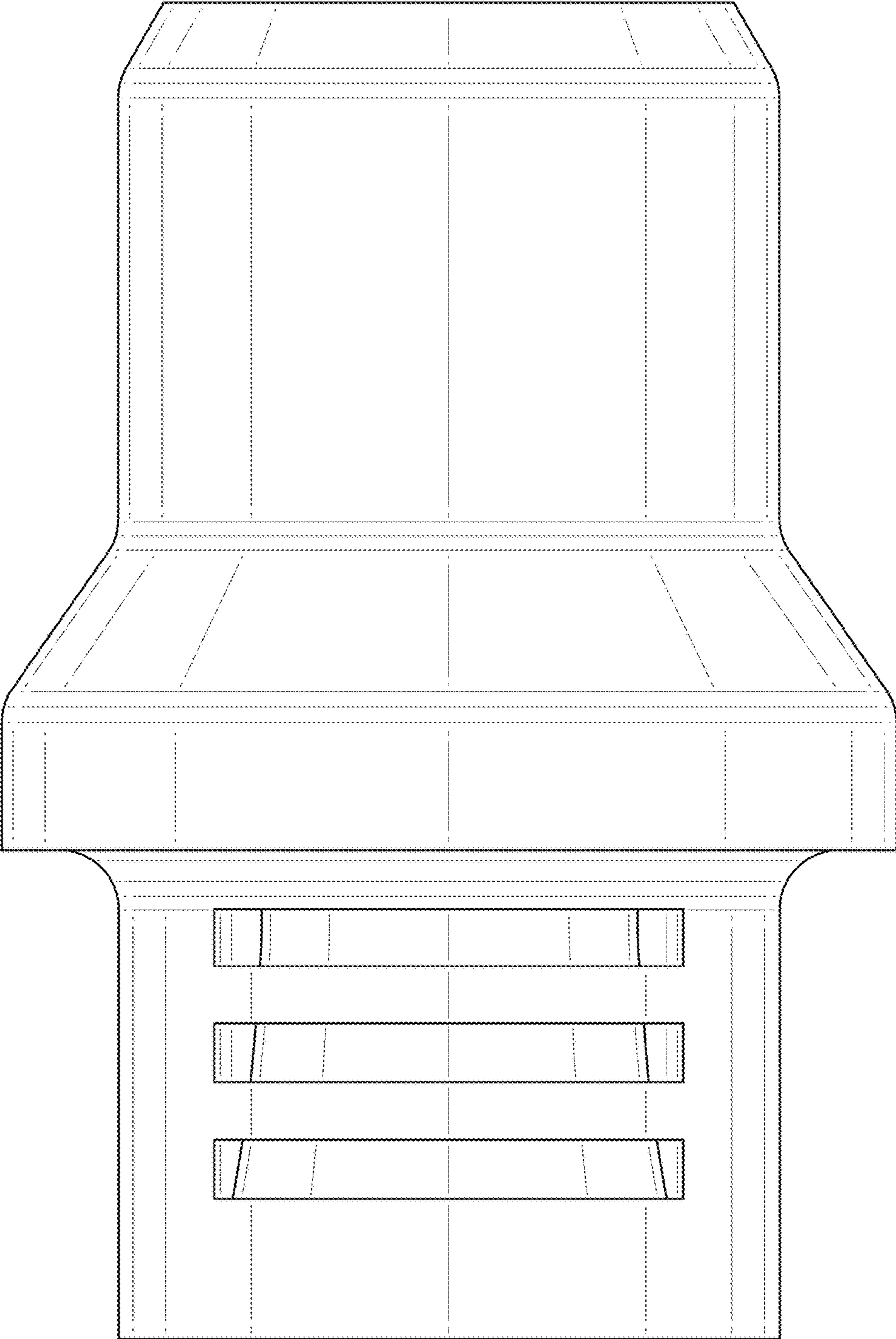
**FIG. 4**



**FIG. 5**



**FIG. 6**



**FIG. 7**