



US00D839211S

(12) **United States Design Patent**
Baldwin et al.

(10) **Patent No.:** **US D839,211 S**

(45) **Date of Patent:** **** Jan. 29, 2019**

(54) **ELECTRICAL BOX**

(71) Applicants: **Jeffrey Baldwin**, Anthem, AZ (US);
Ryan Liebengood, Gilbert, AZ (US)

(72) Inventors: **Jeffrey Baldwin**, Anthem, AZ (US);
Ryan Liebengood, Gilbert, AZ (US)

(**) Term: **15 Years**

(21) Appl. No.: **29/581,082**

(22) Filed: **Oct. 15, 2016**

(51) **LOC (11) Cl.** **13-03**

(52) **U.S. Cl.**
USPC **D13/152**

(58) **Field of Classification Search**
USPC D13/152–156, 199
CPC H02G 3/08; H02G 3/081; H02G 3/086;
H02G 3/10; H02G 3/12; H05K 5/00;
H05K 7/00

See application file for complete search history.

(56) **References Cited**

U.S. PATENT DOCUMENTS

D697,872 S *	1/2014	Roemer	H02G 3/185 D13/156
D699,687 S *	2/2014	Baldwin	D13/156
8,651,460 B2 *	2/2014	Callahan	H02G 3/12 174/153 G
D701,175 S	3/2014	Baldwin		
D726,125 S	4/2015	Baldwin		

9,237,665 B1 *	1/2016	Baldwin	H05K 5/0217
D754,078 S *	4/2016	Baldwin	D13/156
D754,079 S *	4/2016	Baldwin	D13/156
D791,709 S *	7/2017	Holton	D13/152
D795,820 S *	8/2017	Wengreen	D13/155
D808,907 S *	1/2018	Gretz	D13/156
9,912,134 B2 *	3/2018	DeBartolo	H02G 3/185
D821,183 S *	6/2018	Bargetzi	D8/356
10,069,289 B2 *	9/2018	Callahan	H02G 3/185

* cited by examiner

Primary Examiner — Rosemary K Tarcza

Assistant Examiner — Christy M Nemeth

(74) *Attorney, Agent, or Firm* — Booth Udall Fuller, PLC

(57) **CLAIM**

We claim the ornamental design for an electrical box, as shown and described.

DESCRIPTION

FIG. 1 is a perspective view of an electrical box showing our design;

FIG. 2 is a front elevational view thereof;

FIG. 3 is a rear elevational view thereof;

FIG. 4 is a left elevational view thereof;

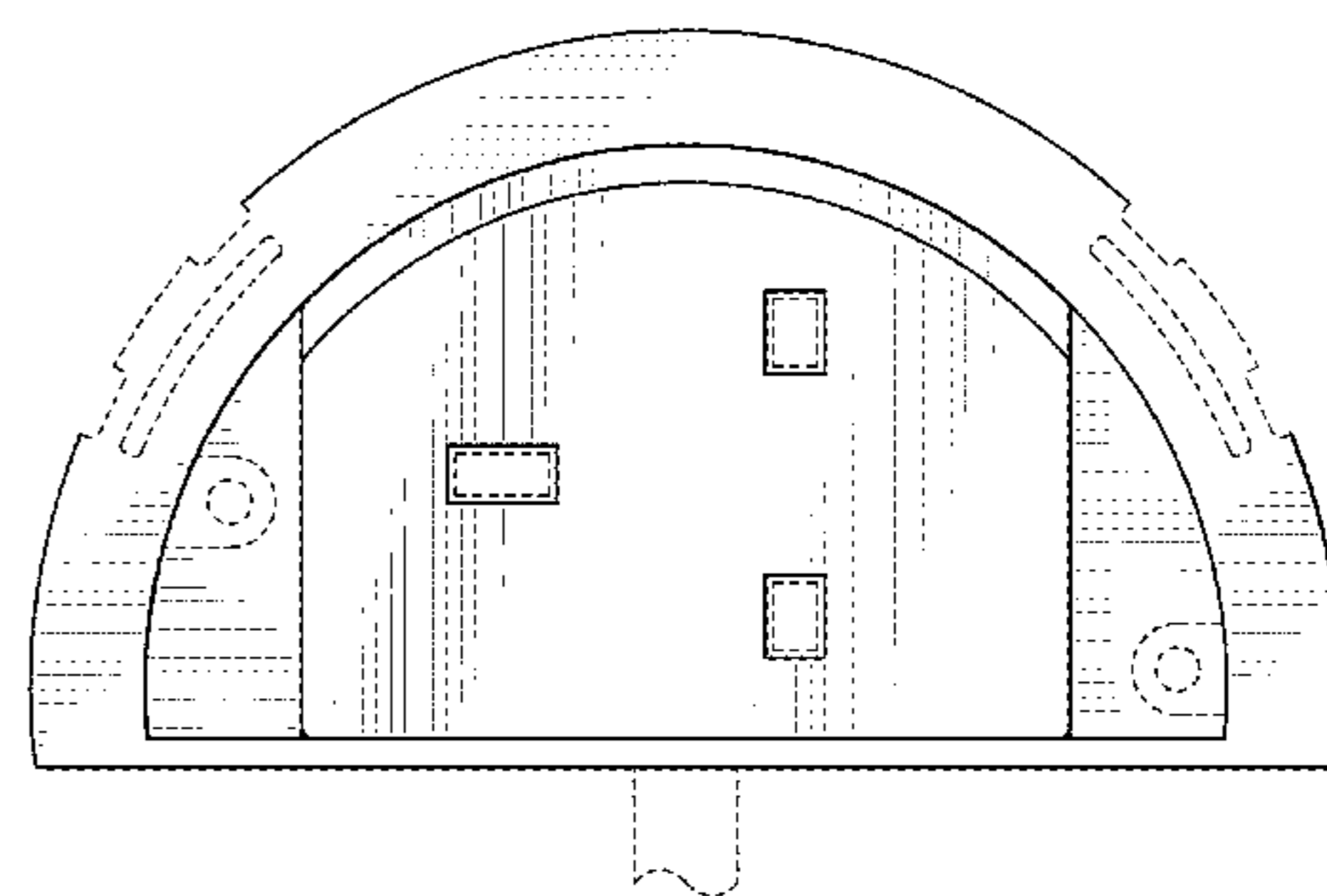
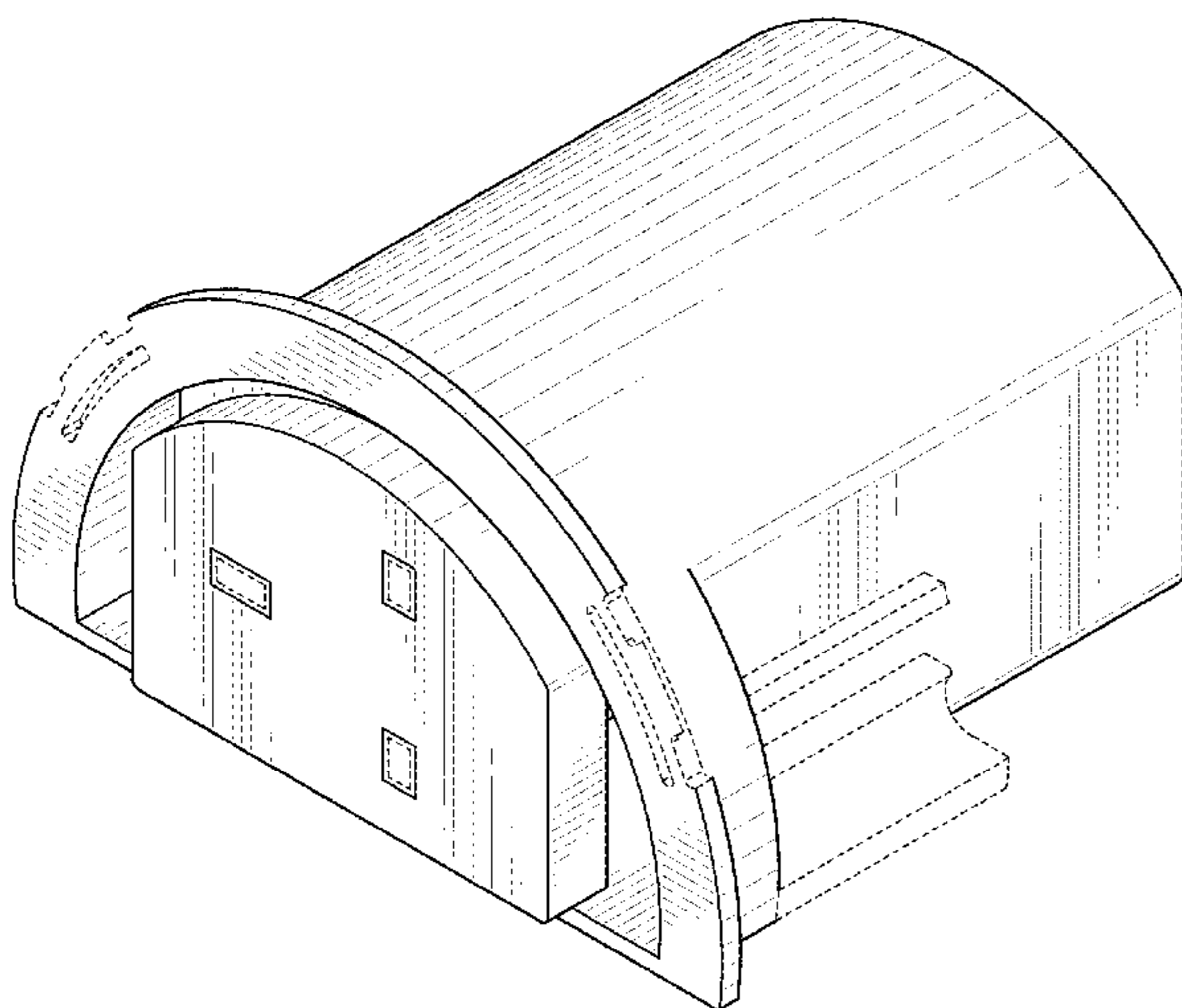
FIG. 5 is a right elevational view thereof;

FIG. 6 is a top elevational view thereof; and,

FIG. 7 is a bottom elevational view thereof.

The broken lines in the drawings are for the purpose of illustrating environmental subject matter and portions of the electrical box that form no part of the claimed design.

1 Claim, 5 Drawing Sheets



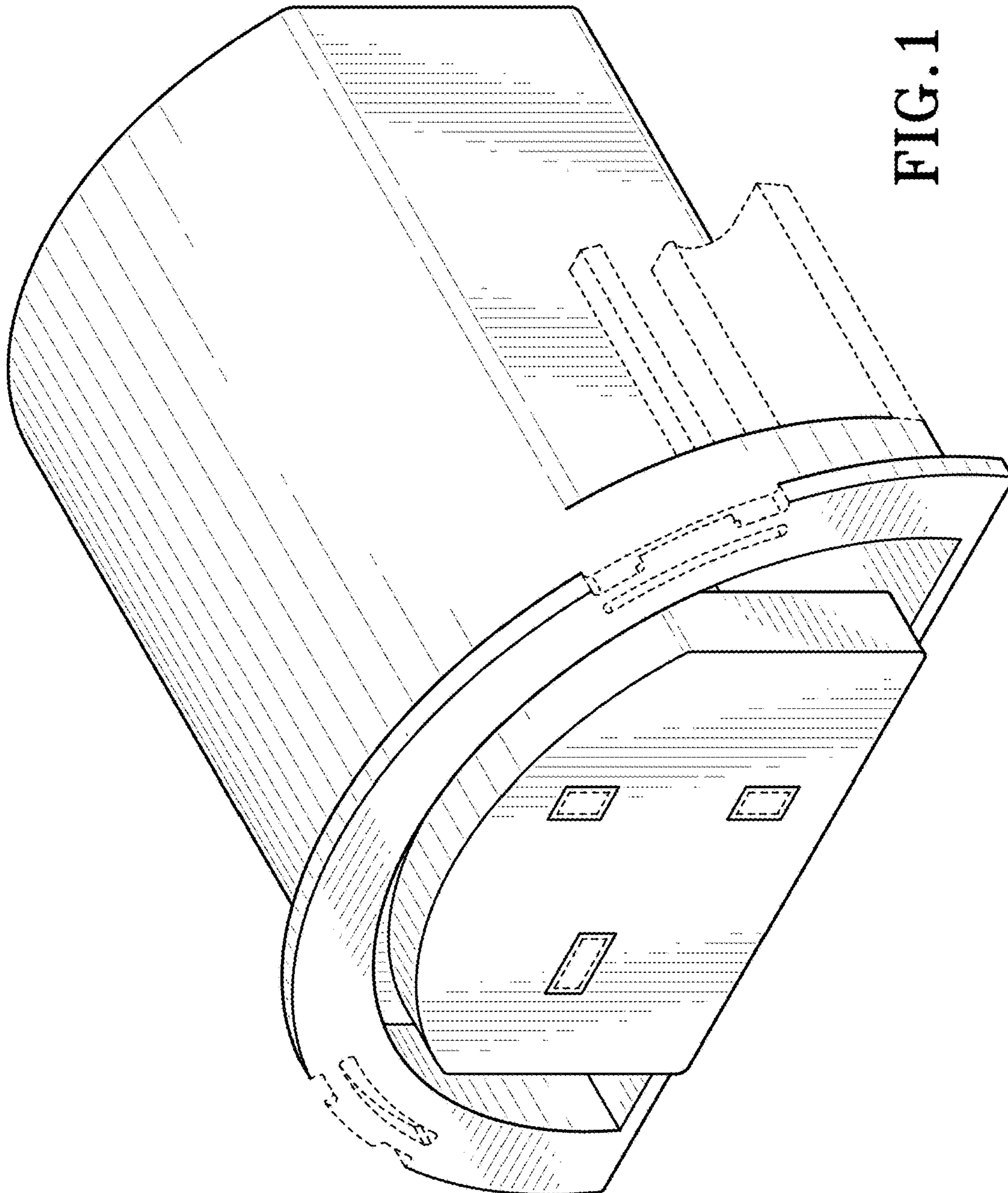


FIG. 1

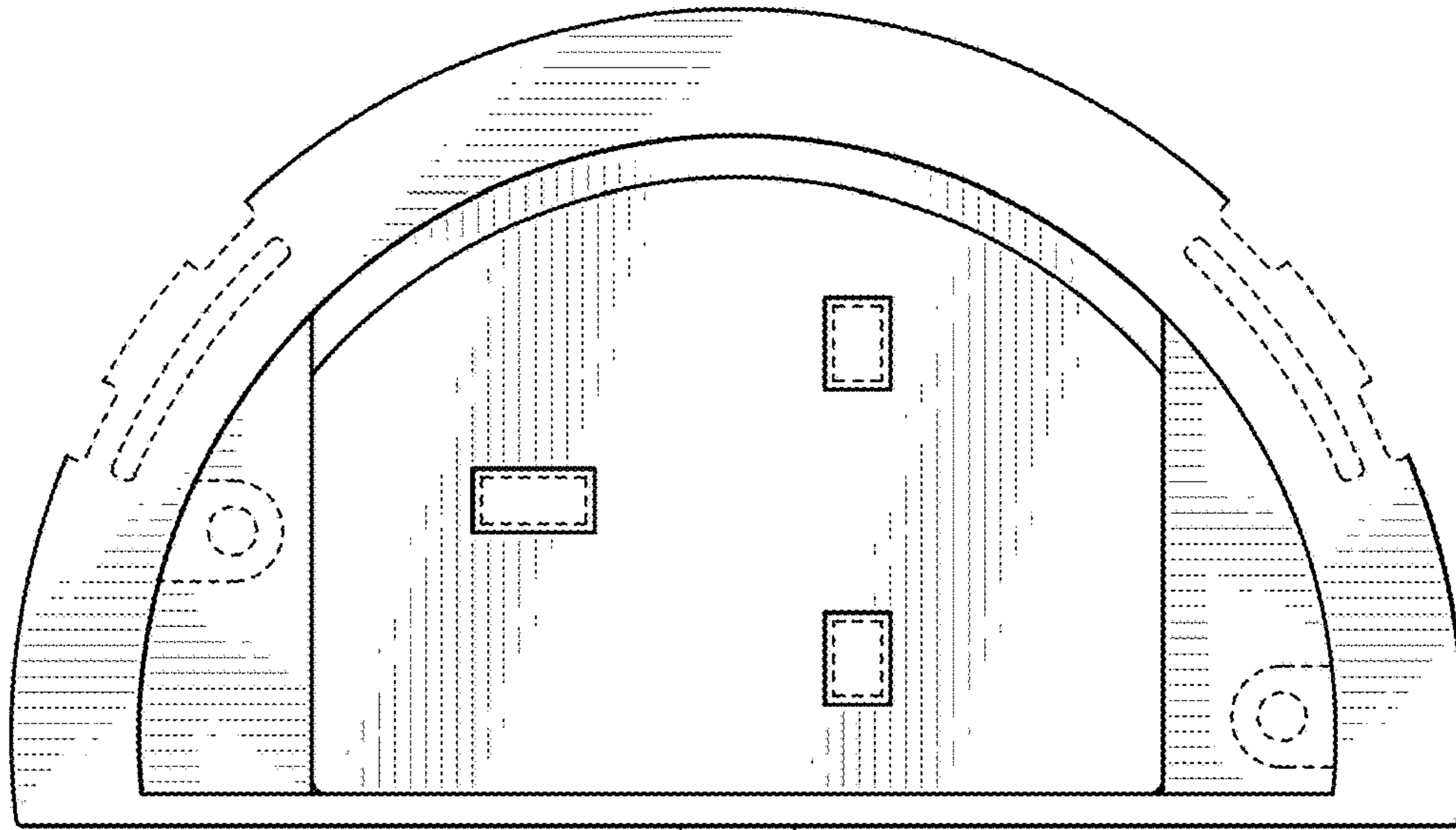


FIG. 2

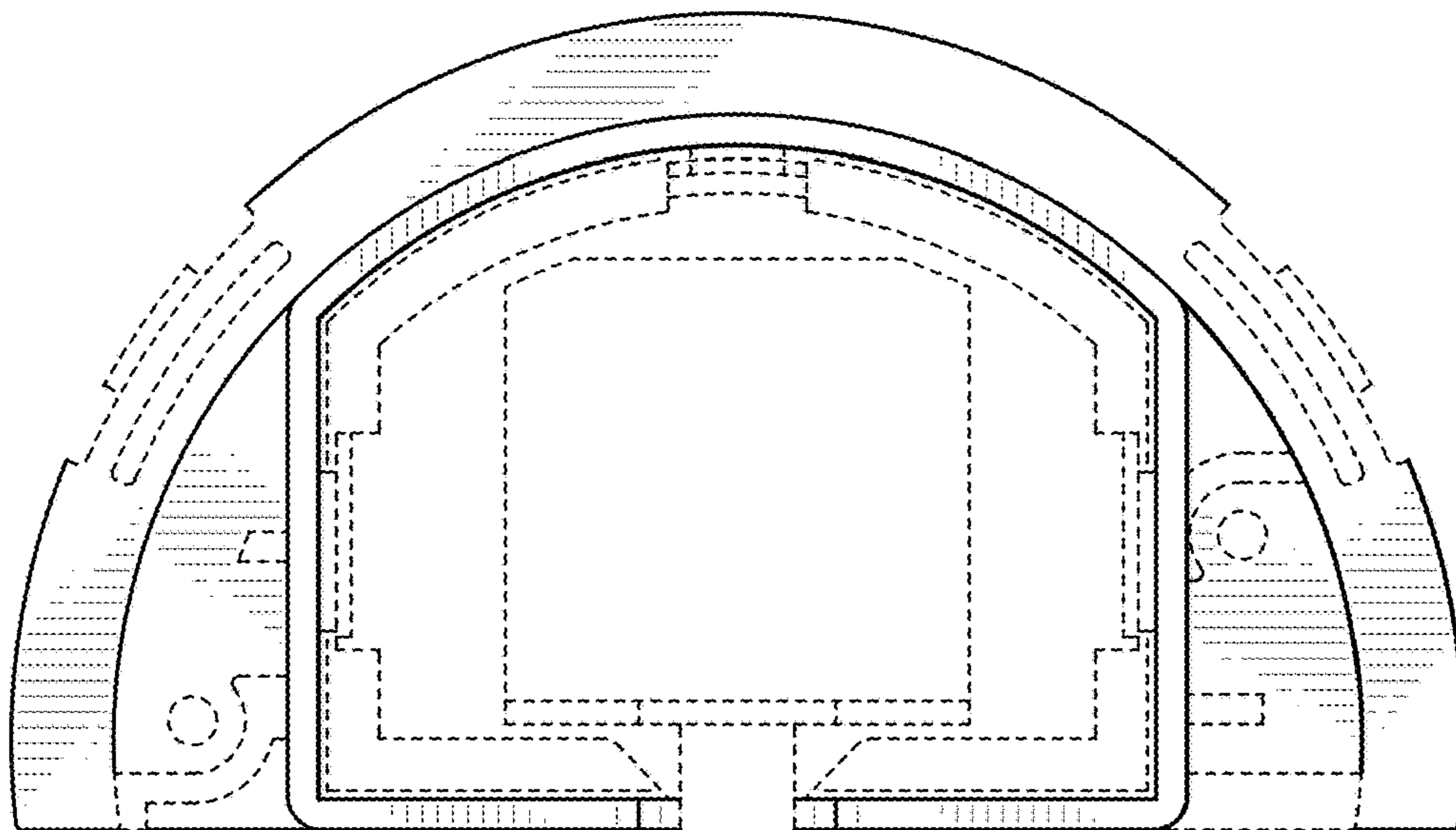


FIG. 3

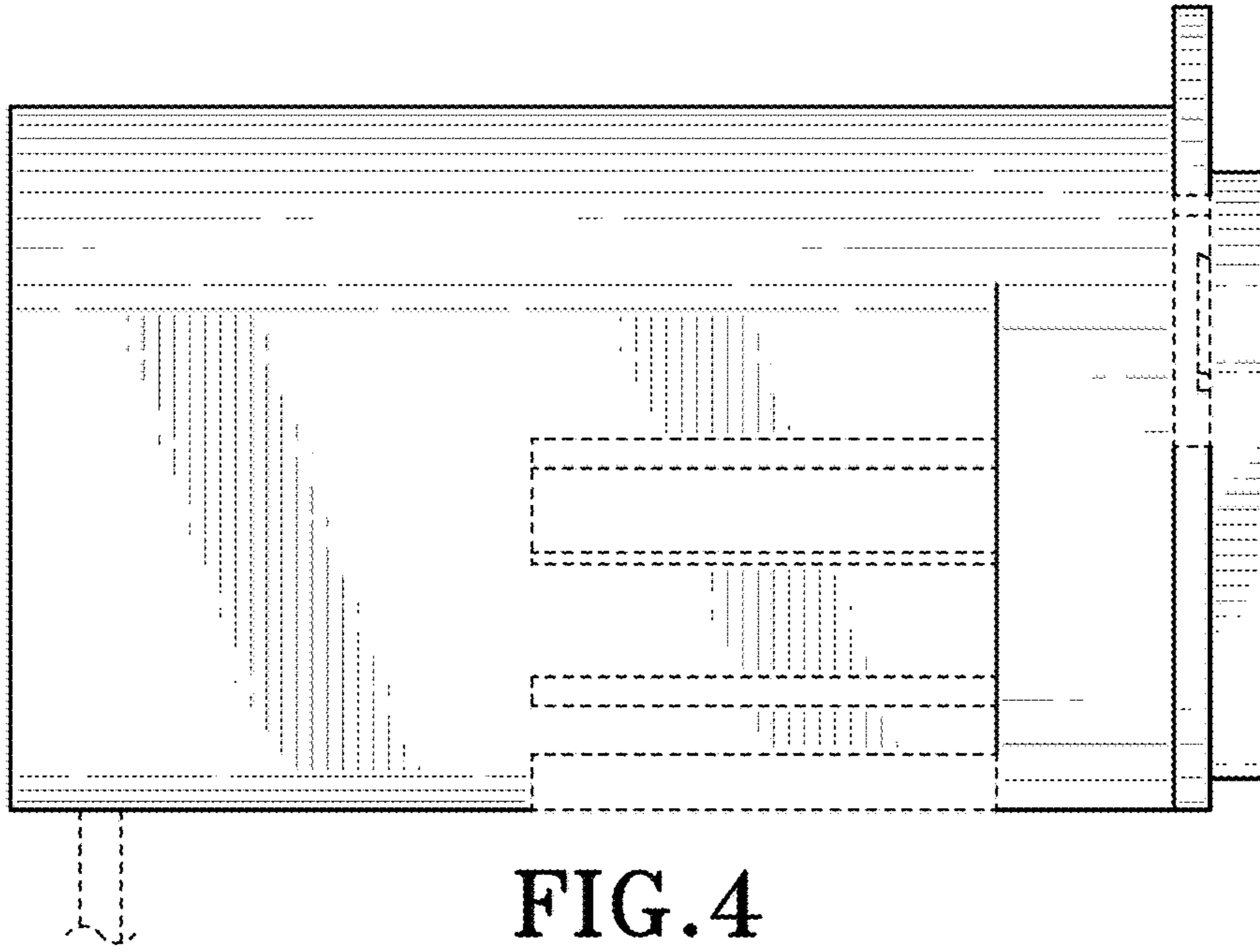


FIG. 4

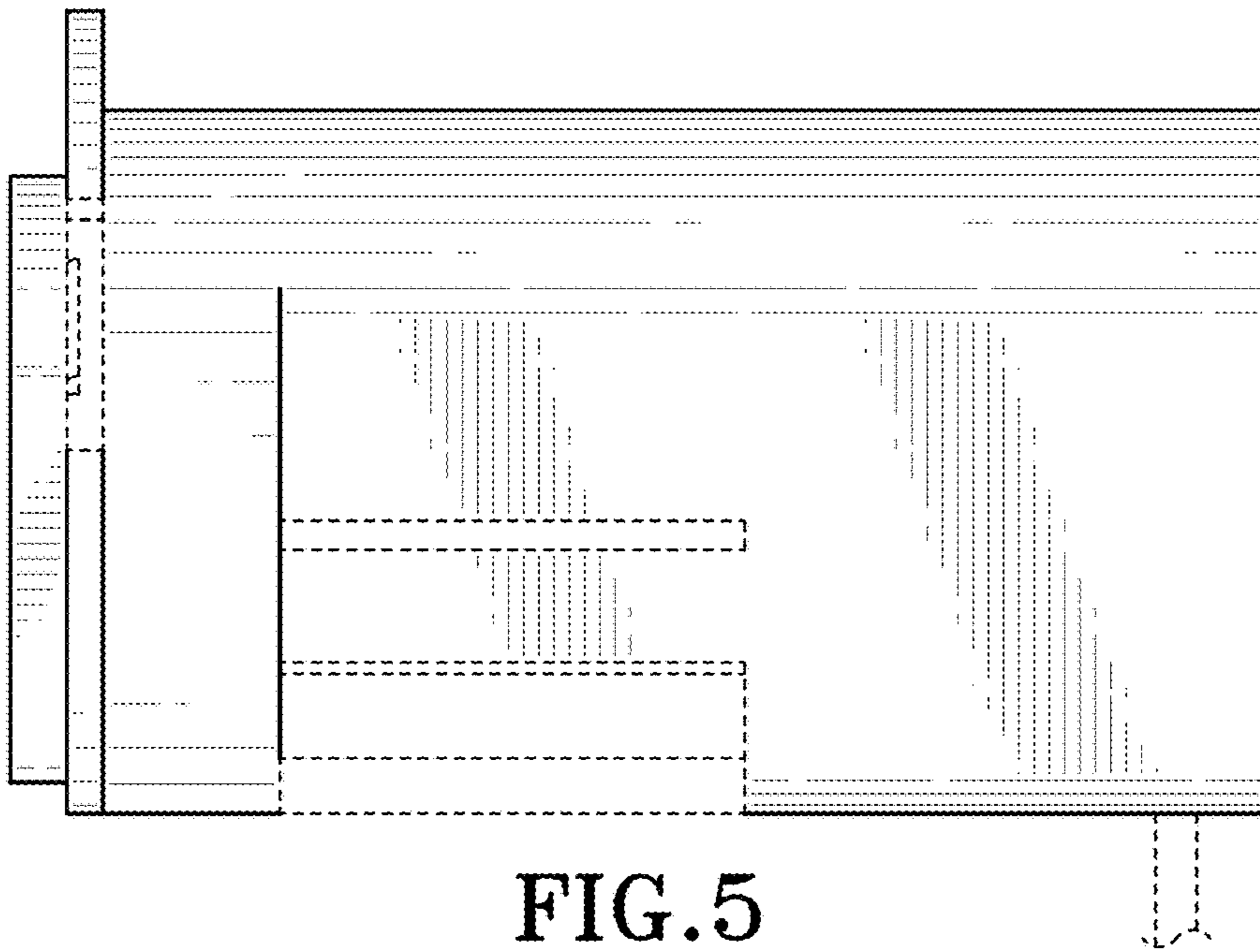


FIG. 5

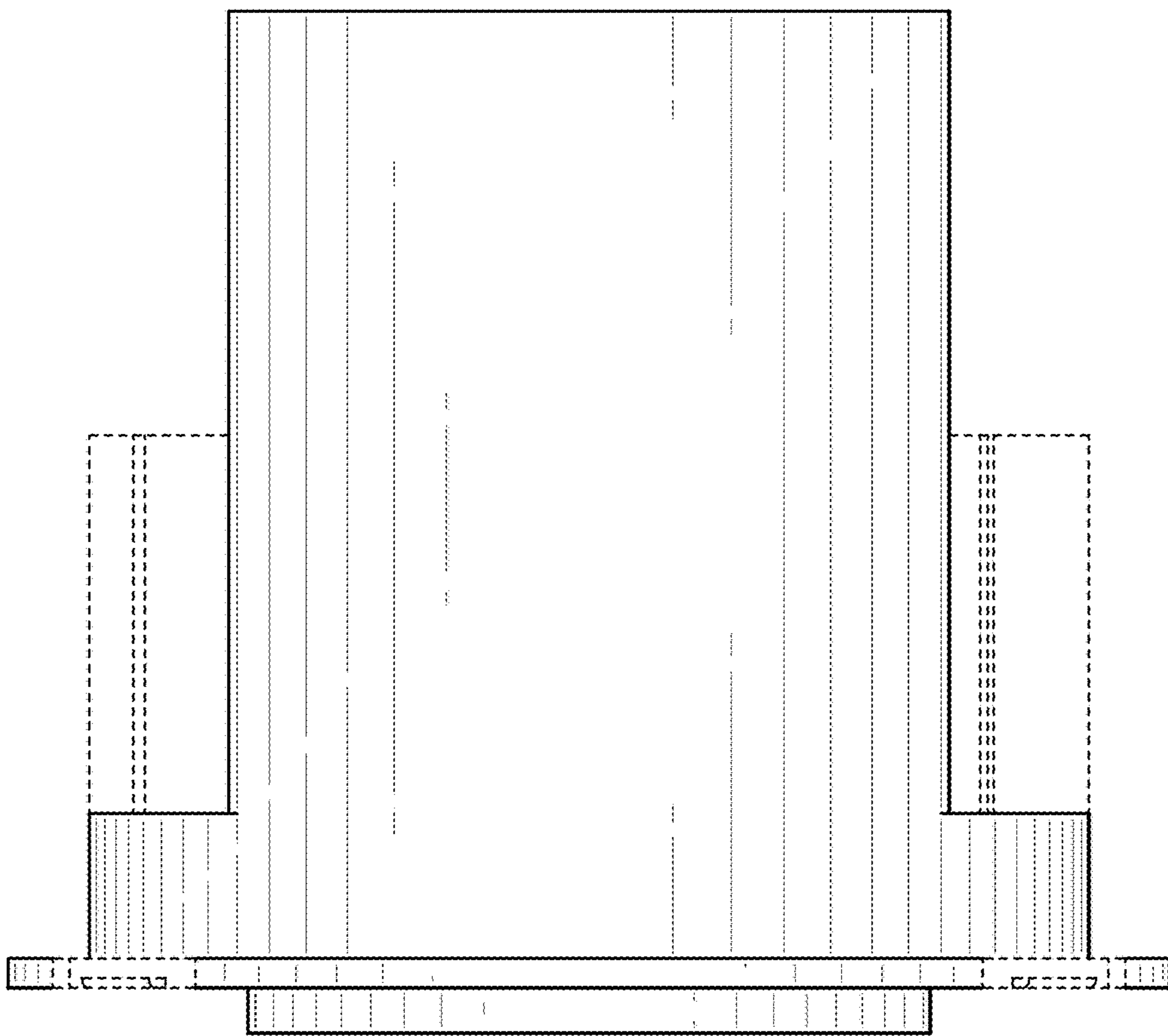


FIG. 6

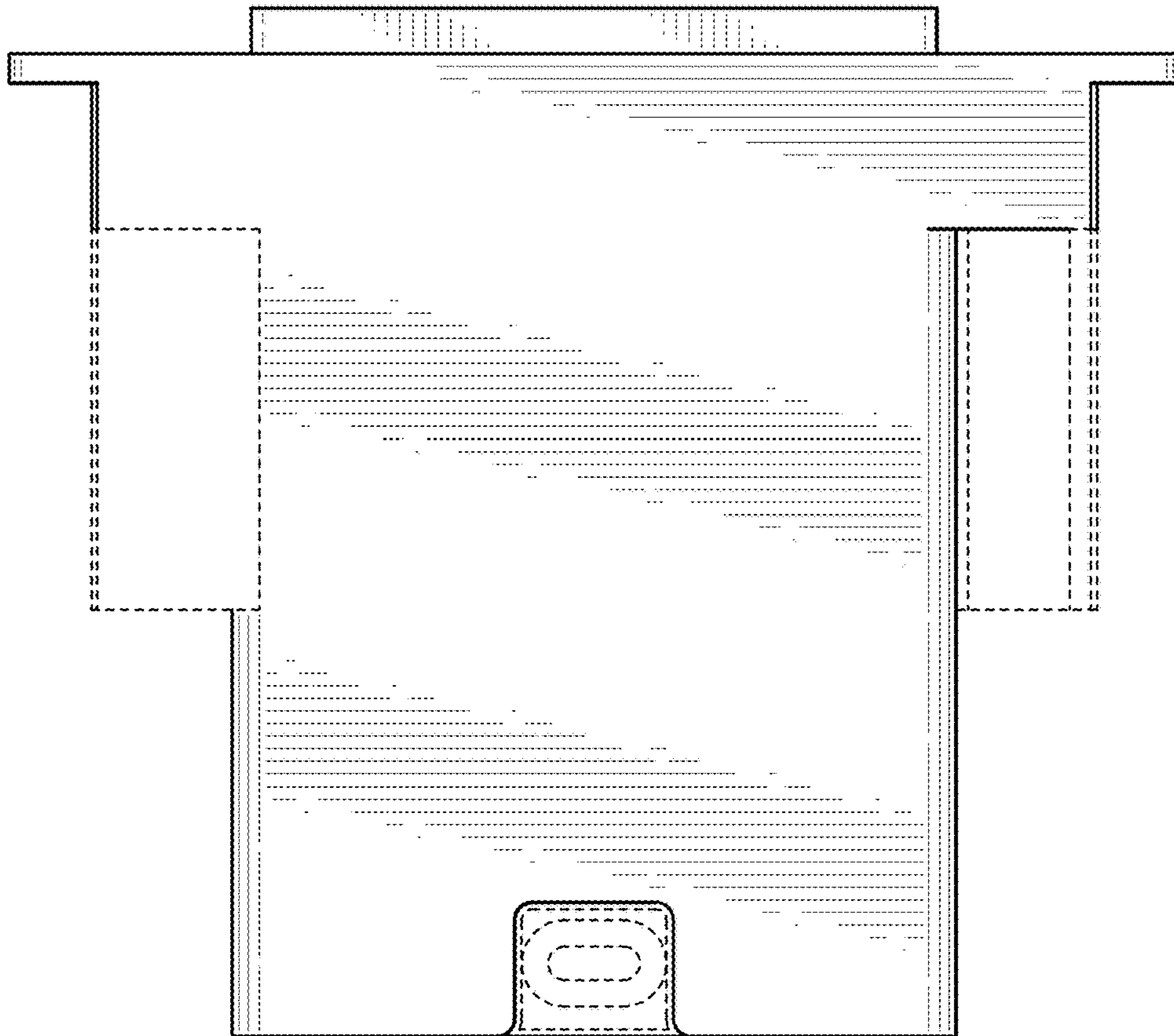


FIG. 7