



US00D839209S

(12) **United States Design Patent**
Kondo

(10) **Patent No.:** **US D839,209 S**
(45) **Date of Patent:** **** Jan. 29, 2019**

(54) **ELECTRICAL CONNECTOR HOUSING**

(71) Applicant: **SUMITOMO WIRING SYSTEMS, LTD.**, Yokkaichi-shi, Mie-ken (JP)

(72) Inventor: **Tomoyuki Kondo**, Yokkaichi (JP)

(73) Assignee: **SUMITOMO WIRING SYSTEMS, LTD.**, Yokkaichi-Shi, Mie-Ken (JP)

(**) Term: **15 Years**

(21) Appl. No.: **29/627,907**

(22) Filed: **Nov. 30, 2017**

(30) **Foreign Application Priority Data**

Jun. 7, 2017 (JP) 2017-012230

(51) **LOC (11) Cl.** **13-03**

(52) **U.S. Cl.**
USPC **D13/147**

(58) **Field of Classification Search**
USPC D13/118, 123, 133, 137.1–139.8,
D13/145–147, 154, 173, 177, 184, 199;
D9/434, 435, 437, 445, 456; D7/361,
D7/629, 672, 673
CPC H01R 12/00; H01R 13/40; H01R 13/436;
H01R 13/52; H01R 13/62; H01R 13/627;
H01R 13/64; H01R 13/648; H01R 13/66;
H01R 13/74; H01R 24/00; H01R 24/28
See application file for complete search history.

(56) **References Cited**

U.S. PATENT DOCUMENTS

D246,561 S * 12/1977 Stahel D7/629
D267,703 S * 1/1983 Chase D9/435
D323,812 S * 2/1992 Sueyoshi D13/146
D345,140 S * 3/1994 Nakamura D13/147
D356,256 S * 3/1995 Romanoff D3/282
D488,782 S * 4/2004 Kashiyama D13/133

7,114,981 B1 * 10/2006 Huang H01R 13/6273
439/353
D543,505 S * 5/2007 Wang D13/147
D559,786 S * 1/2008 Kudo D13/147
D564,454 S * 3/2008 Kudo D13/147
D591,240 S * 4/2009 Huang D13/147
D592,018 S * 5/2009 Back D7/629
D606,023 S * 12/2009 Mase D13/147
D652,259 S * 1/2012 Hatcher D7/553.5
D686,159 S * 7/2013 Takahashi D13/147
D733,057 S * 6/2015 Amano D13/147
D760,035 S * 6/2016 Kim D7/629

(Continued)

Primary Examiner — Angela J Lee

Assistant Examiner — Shawn T Gingrich

(74) *Attorney, Agent, or Firm* — Grogan, Tuccillo & Vanderleeden LLP

(57) **CLAIM**

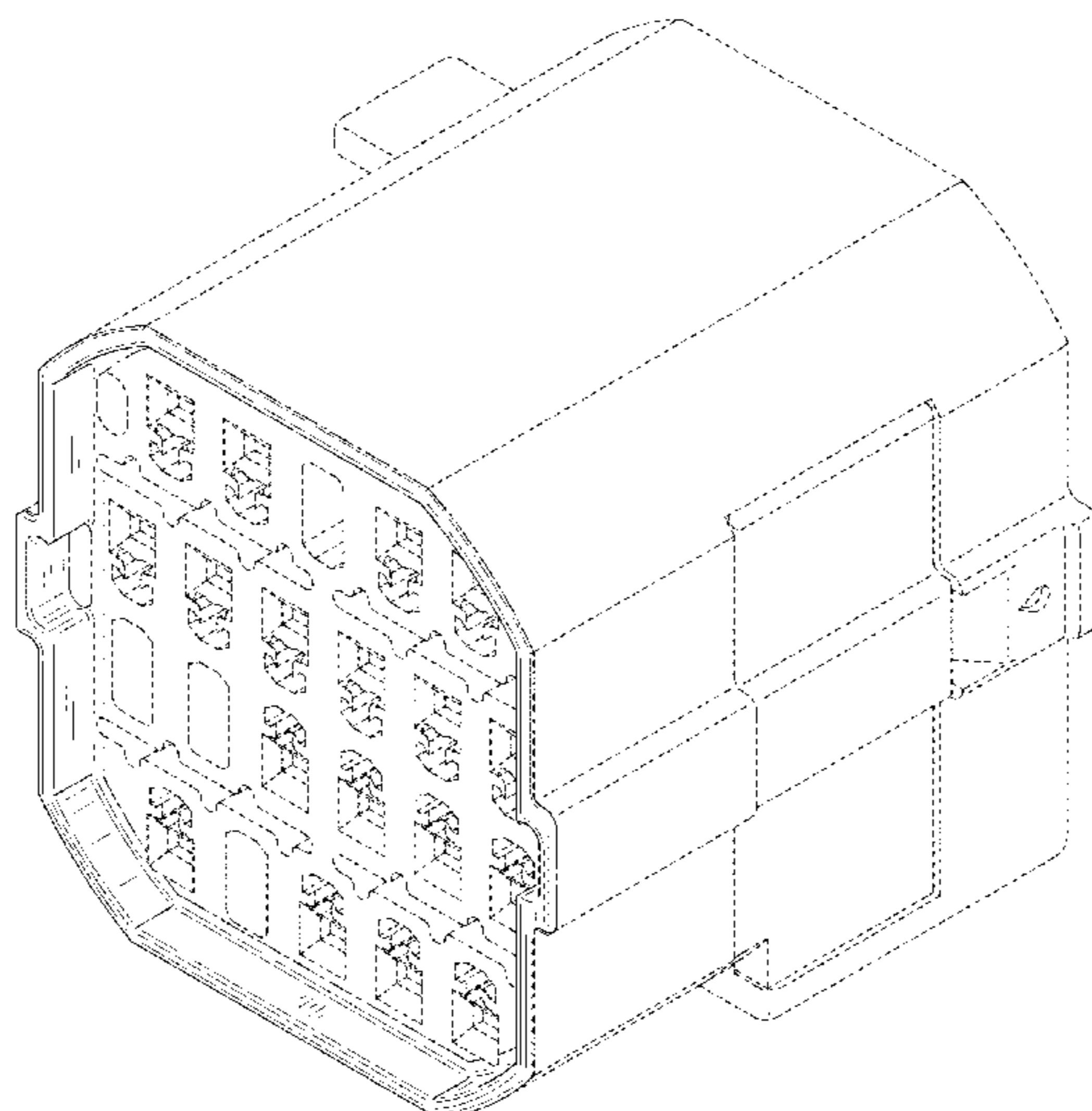
The ornamental design for an electrical connector housing, as shown and described.

DESCRIPTION

FIG. 1 is a front, top and right side perspective view of an electrical connector housing showing my new design; FIG. 2 is a front, bottom and left side perspective view thereof; FIG. 3 is a front view thereof; FIG. 4 is a top plan view thereof; FIG. 5 is a bottom plan view thereof; FIG. 6 is a right side view thereof; FIG. 7 is a left side view thereof; FIG. 8 is a cross-sectional view taken along line 8-8 in FIG. 3; and, FIG. 9 is a cross-sectional view taken along line 9-9 in FIG. 3.

The broken lines illustrate portions of the electrical connector housing and form no part of the claimed design. The dash-dotted lines denote the boundary of the claim and form no part of the claimed design.

1 Claim, 9 Drawing Sheets



(56)

References Cited

U.S. PATENT DOCUMENTS

2007/0082548 A1* 4/2007 Tyler H01R 13/4223
439/595
2015/0318639 A1* 11/2015 Hara H01R 13/639
439/345

* cited by examiner

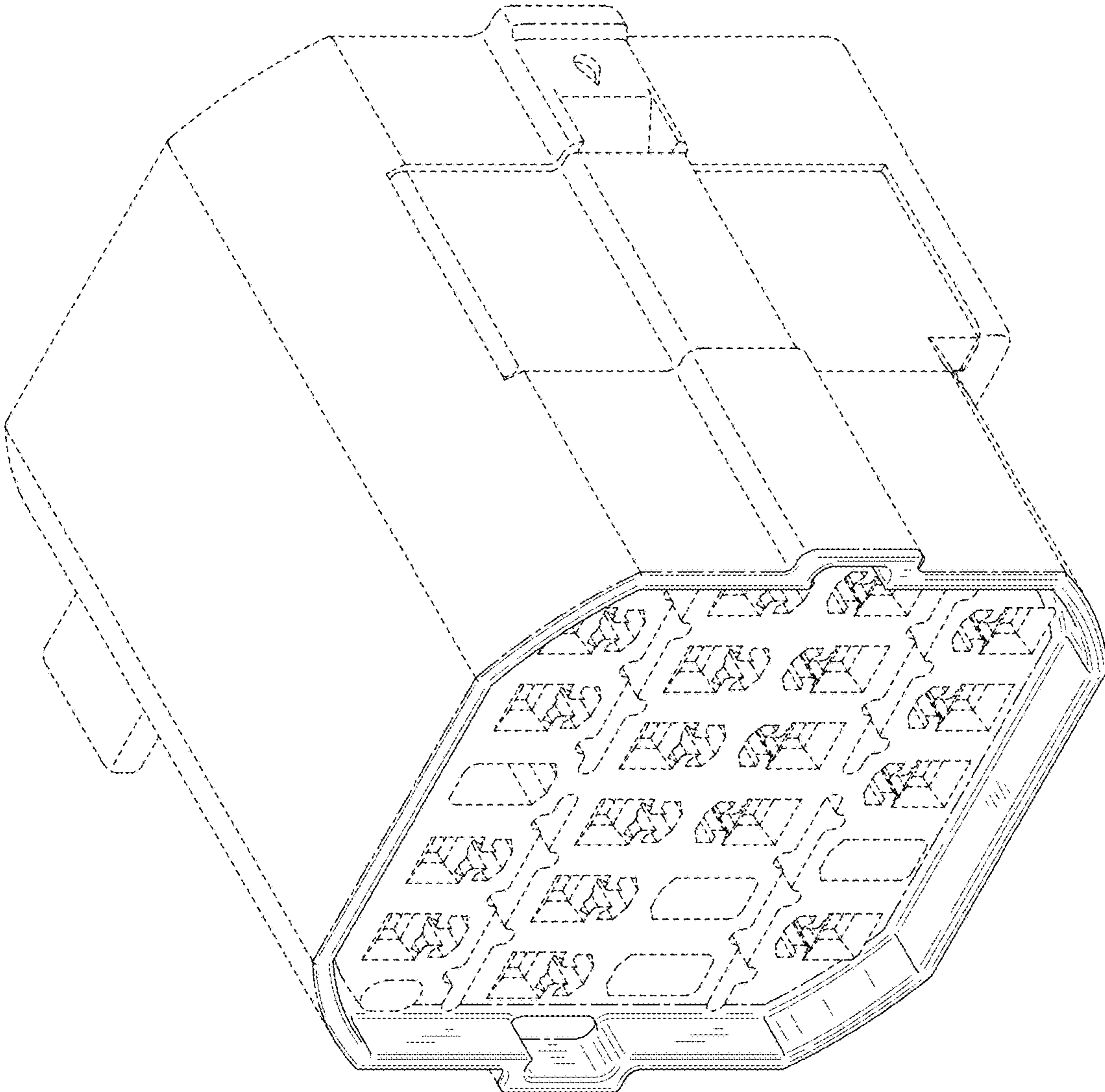


Fig.1

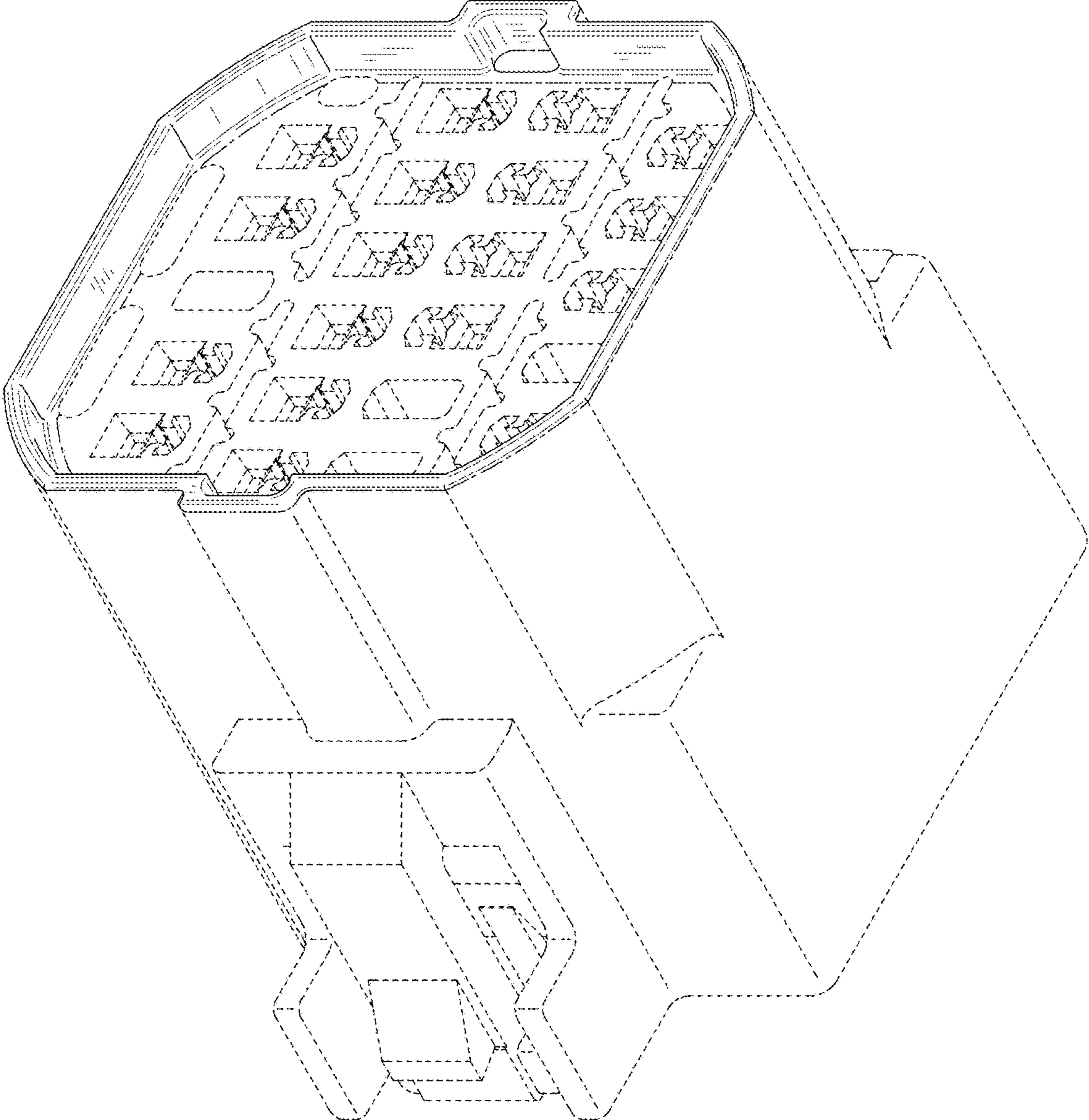


Fig.2

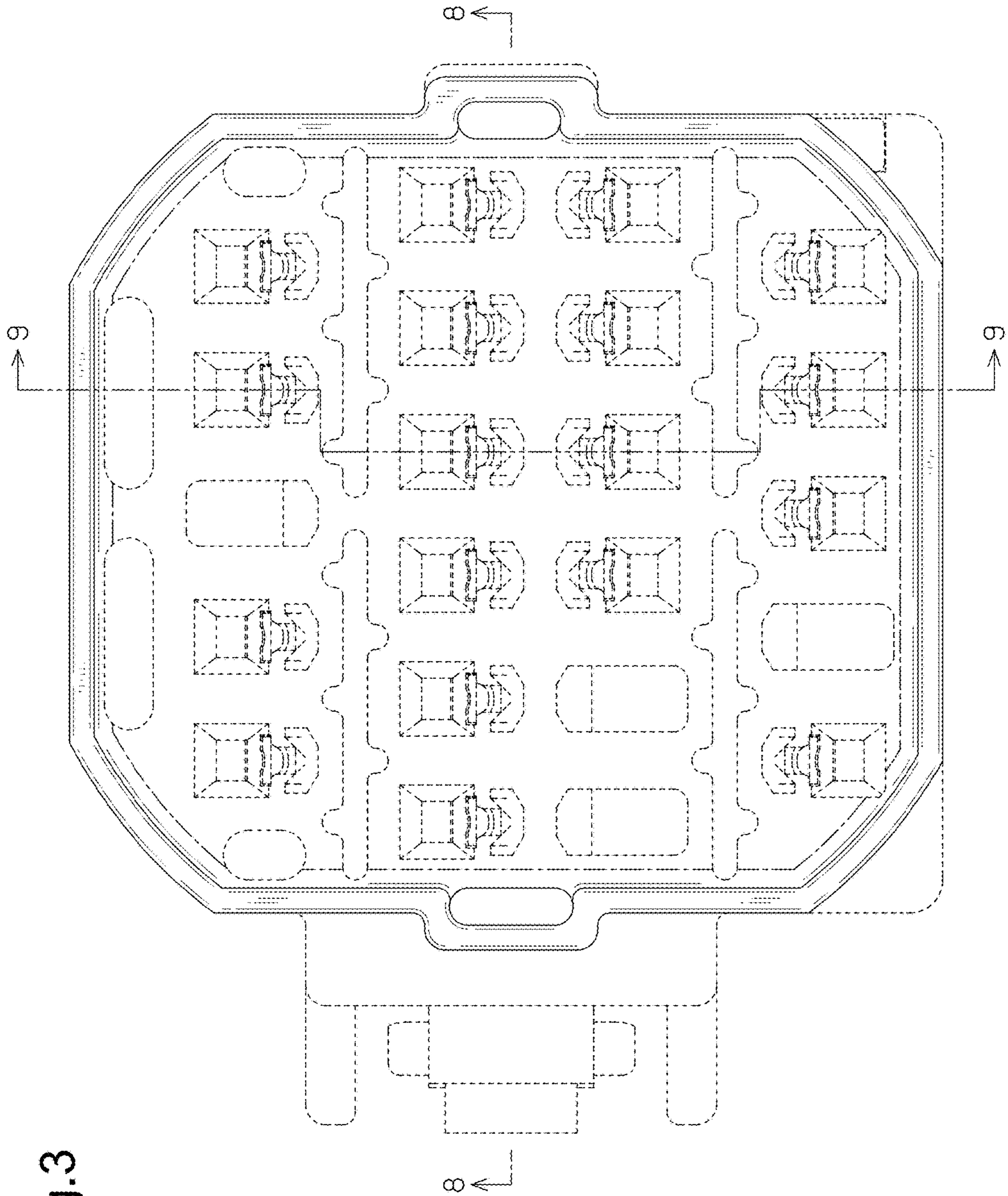


Fig.3

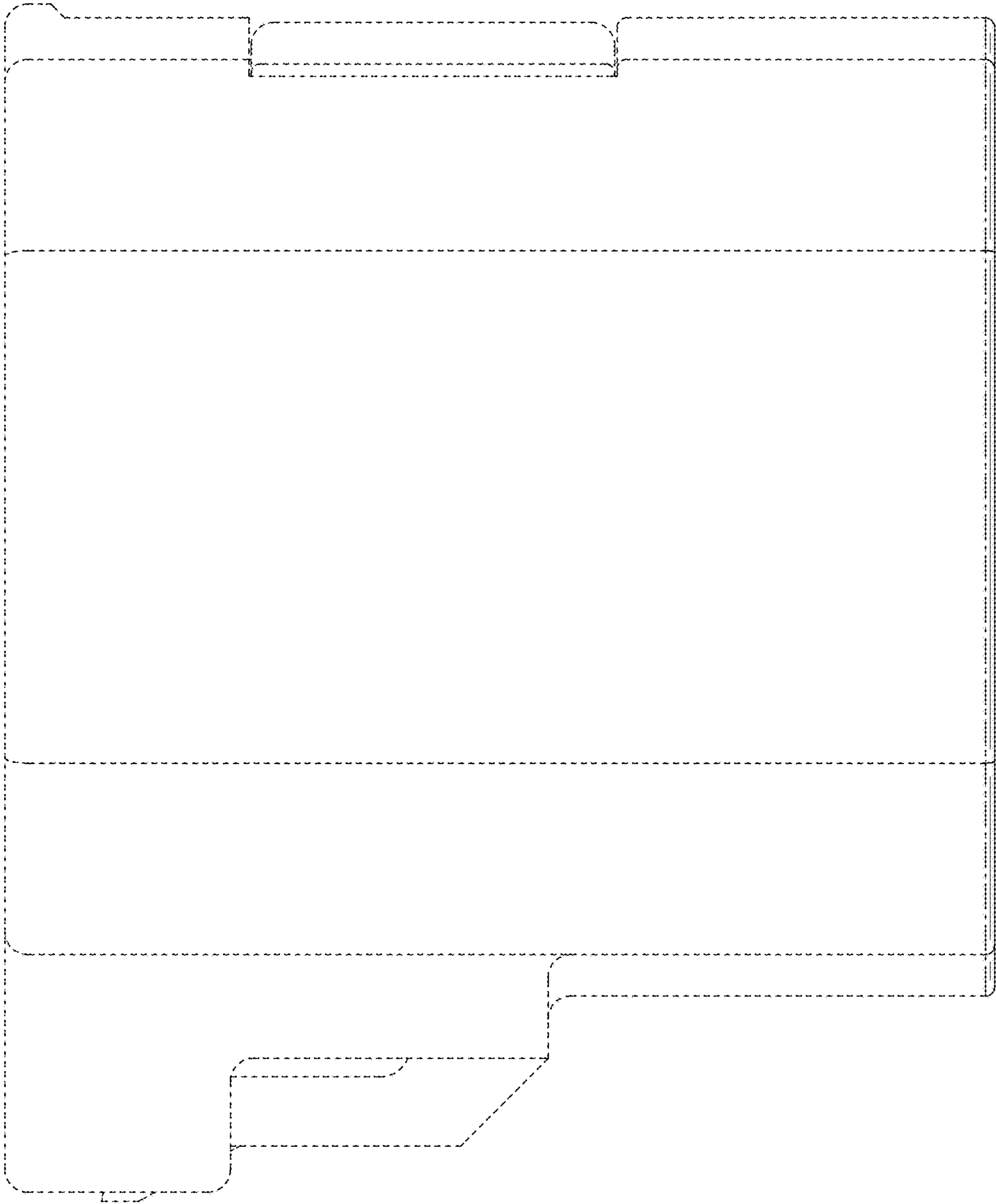


Fig.4

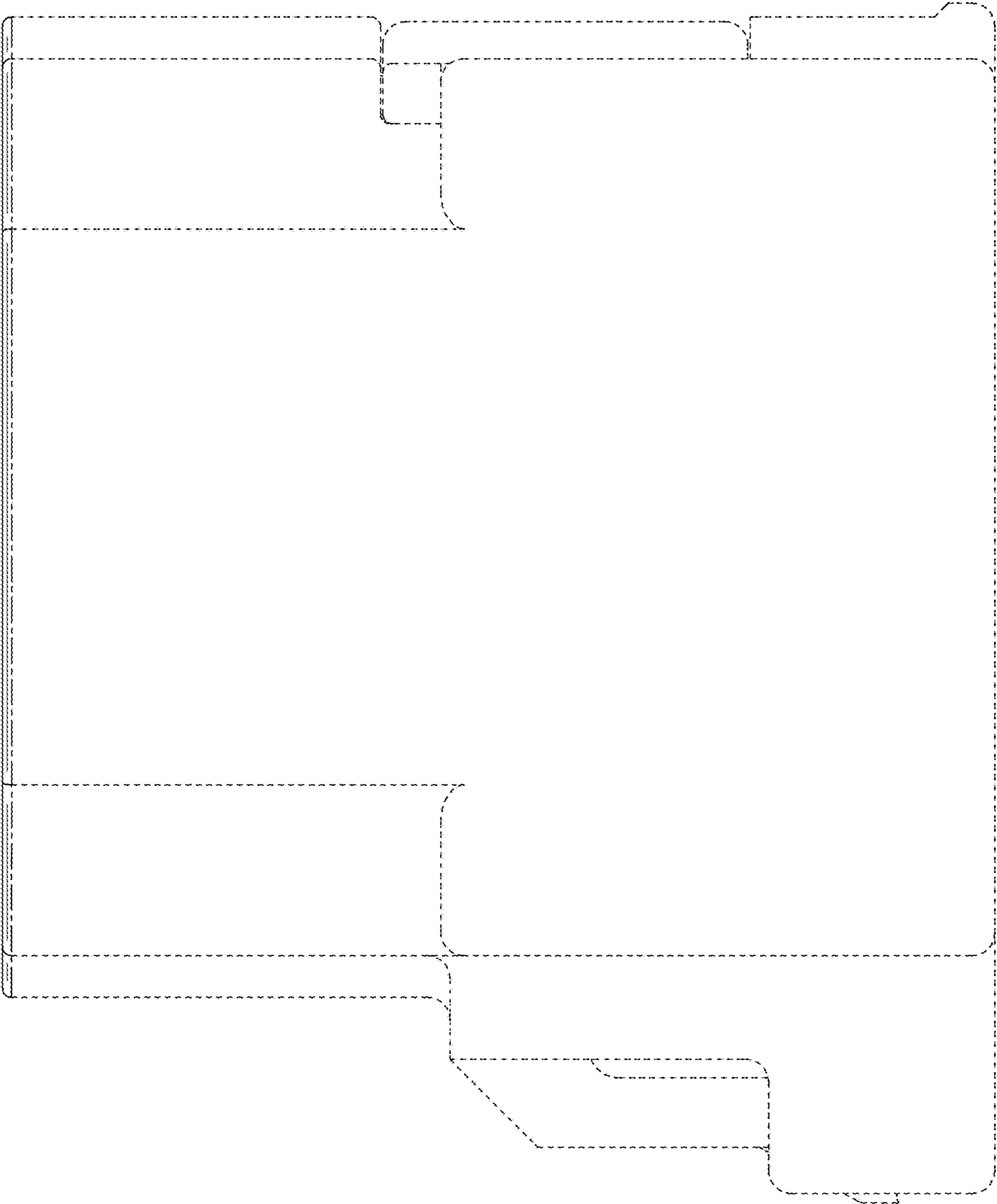


Fig.5

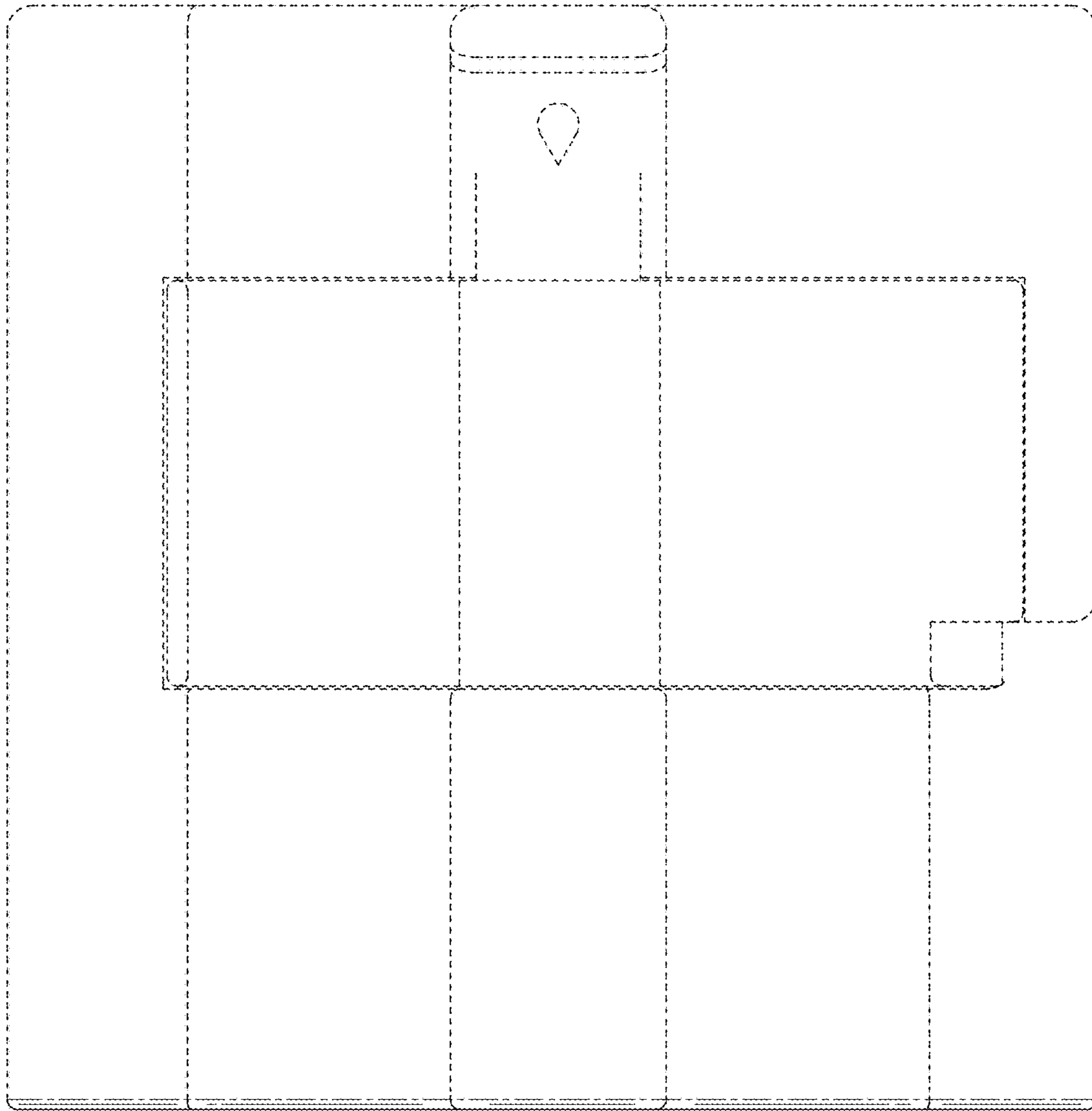


Fig.6

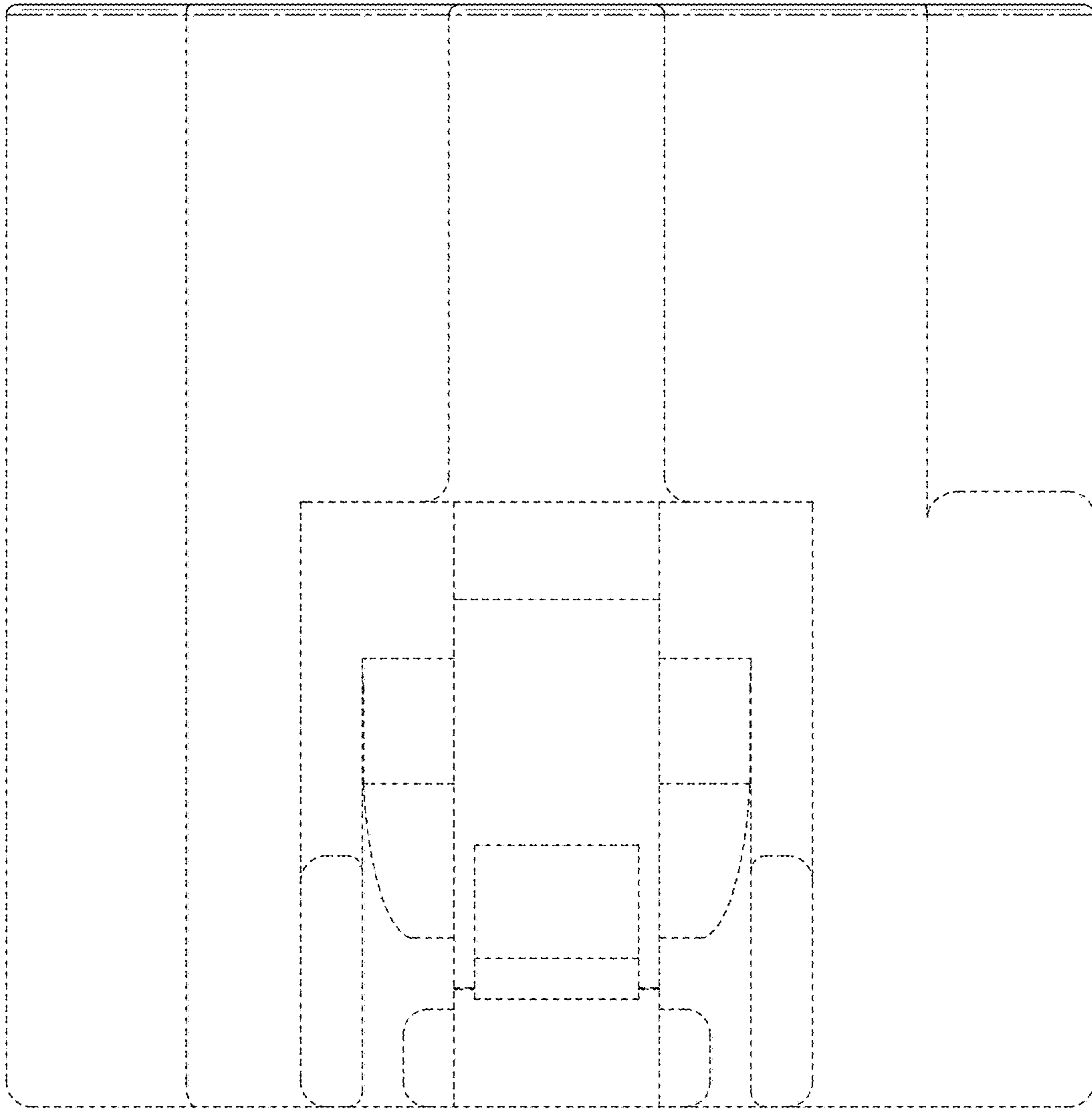


Fig.7

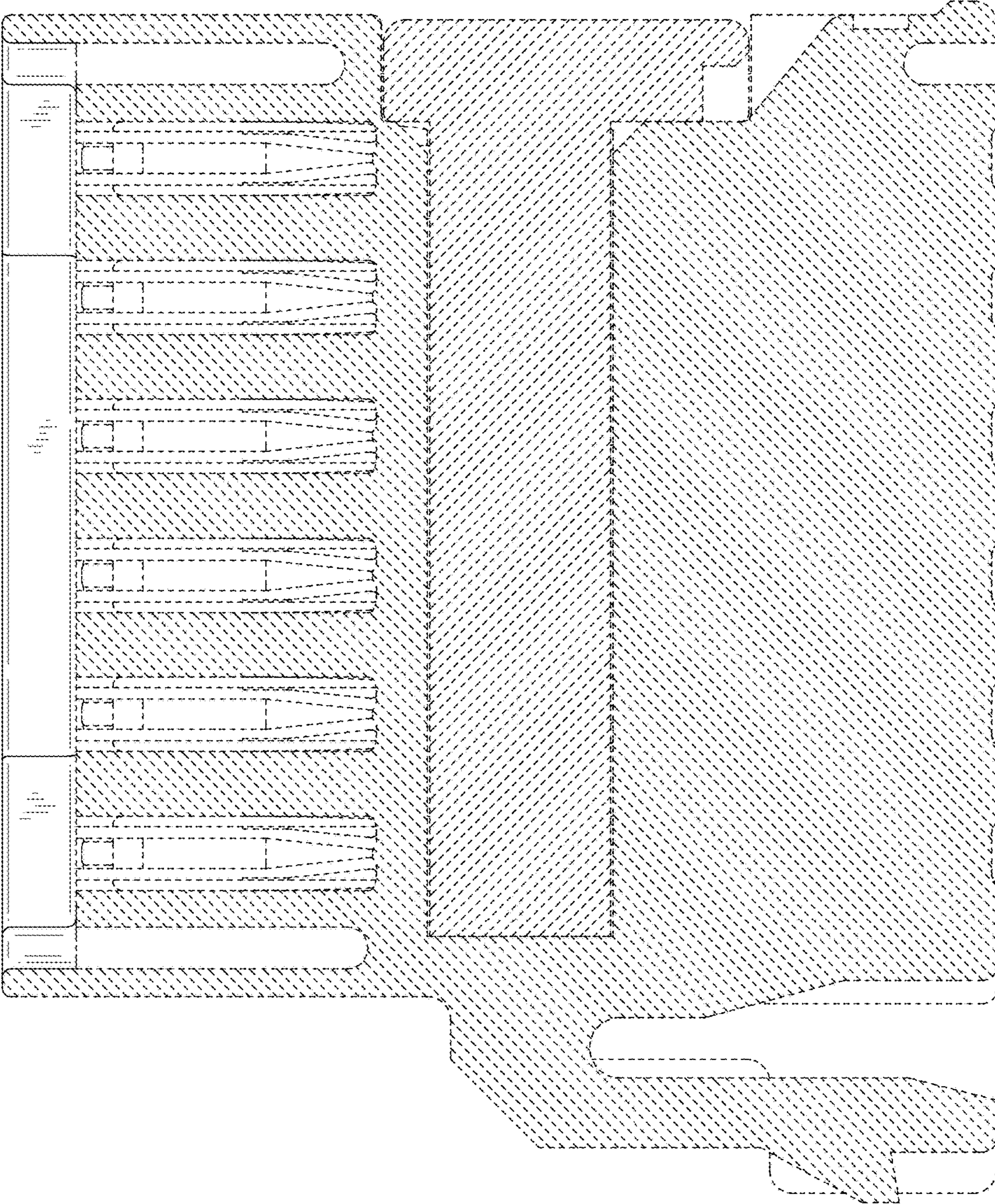


Fig.8

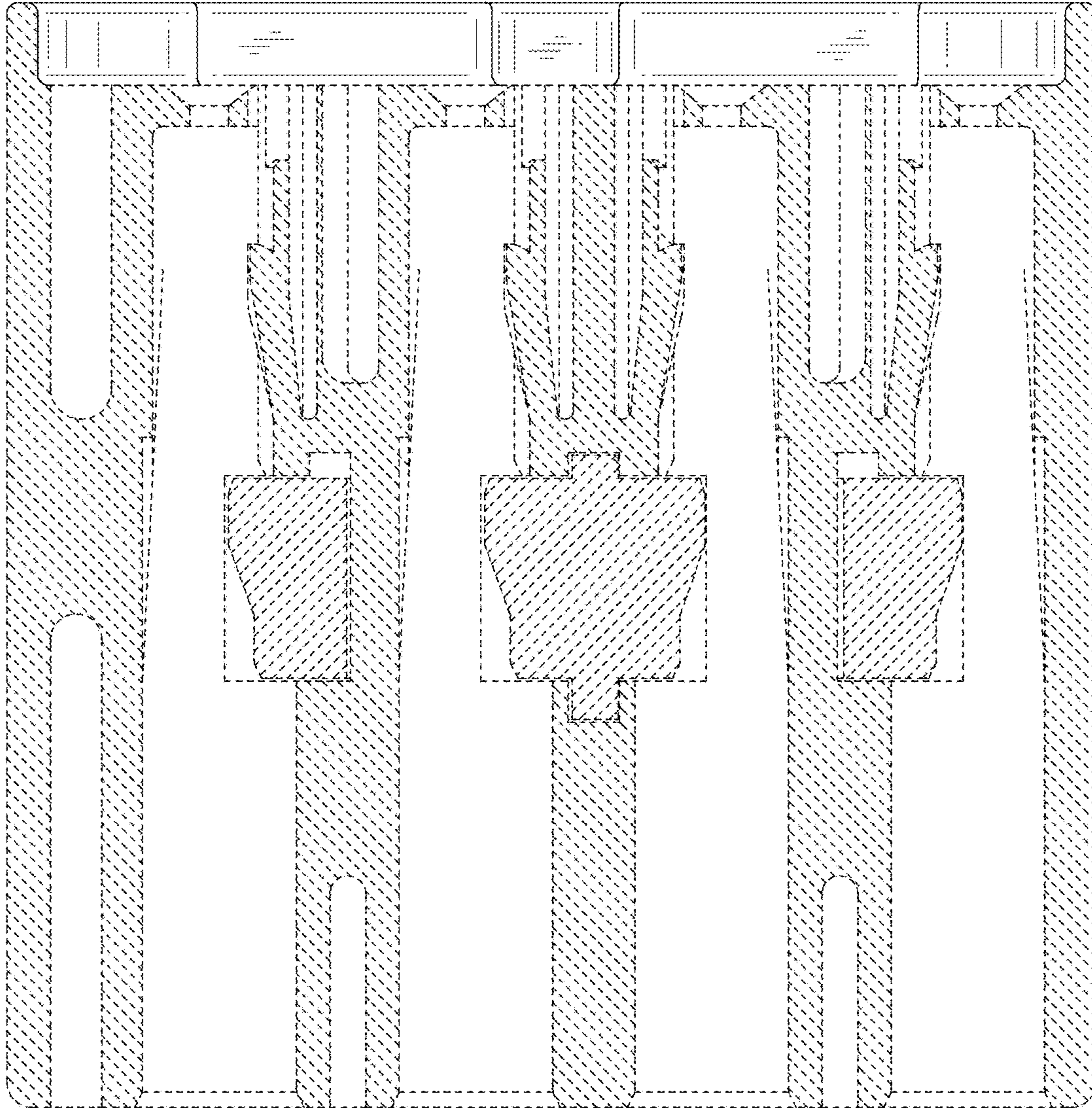


Fig.9