



US00D839208S

(12) **United States Design Patent**
Ishimaru

(10) **Patent No.:** **US D839,208 S**

(45) **Date of Patent:** **** Jan. 29, 2019**

(54) **ELECTRICAL CONNECTOR**

D645,825 S * 9/2011 Kurachi D13/147
D725,596 S * 3/2015 Ikari D13/147
D730,296 S * 5/2015 Ishimaru D13/147

(71) Applicant: **DAI-ICHI SEIKO CO., LTD.**,
Kyoto-shi (JP)

* cited by examiner

(72) Inventor: **Masao Ishimaru**, Ogori (JP)

Primary Examiner — Daniel D Bui

(73) Assignee: **DAI-ICHI SEIKO CO., LTD.**,
Kyoto-shi (JP)

(74) *Attorney, Agent, or Firm* — Oblon, McClelland,
Maier & Neustadt, L.L.P.

(**) Term: **15 Years**

(57) **CLAIM**

(21) Appl. No.: **29/621,342**

The ornamental design for an electrical connector, as shown
and described.

(22) Filed: **Oct. 6, 2017**

DESCRIPTION

(30) **Foreign Application Priority Data**

Apr. 7, 2017 (JP) 2017-007495

(51) **LOC (11) Cl.** **13-03**

(52) **U.S. Cl.**
USPC **D13/147**

(58) **Field of Classification Search**
USPC D13/133, 146, 147, 154, 184, 199
See application file for complete search history.

FIG. 1 is a front elevational view of an electrical connector
showing my new design;
FIG. 2 is a rear elevational view thereof;
FIG. 3 is a top plan view thereof;
FIG. 4 is a bottom plan view thereof;
FIG. 5 is a right side elevational view thereof;
FIG. 6 is a left side elevational view thereof;
FIG. 7 is a front, top and right side perspective view thereof;
FIG. 8 is a rear, bottom and left side perspective view
thereof;
FIG. 9 is an enlarged cross-sectional view along the line 9-9
in FIG. 3; and,
FIG. 10 is an enlarged cross-sectional view along the line
10-10 in FIG. 3.

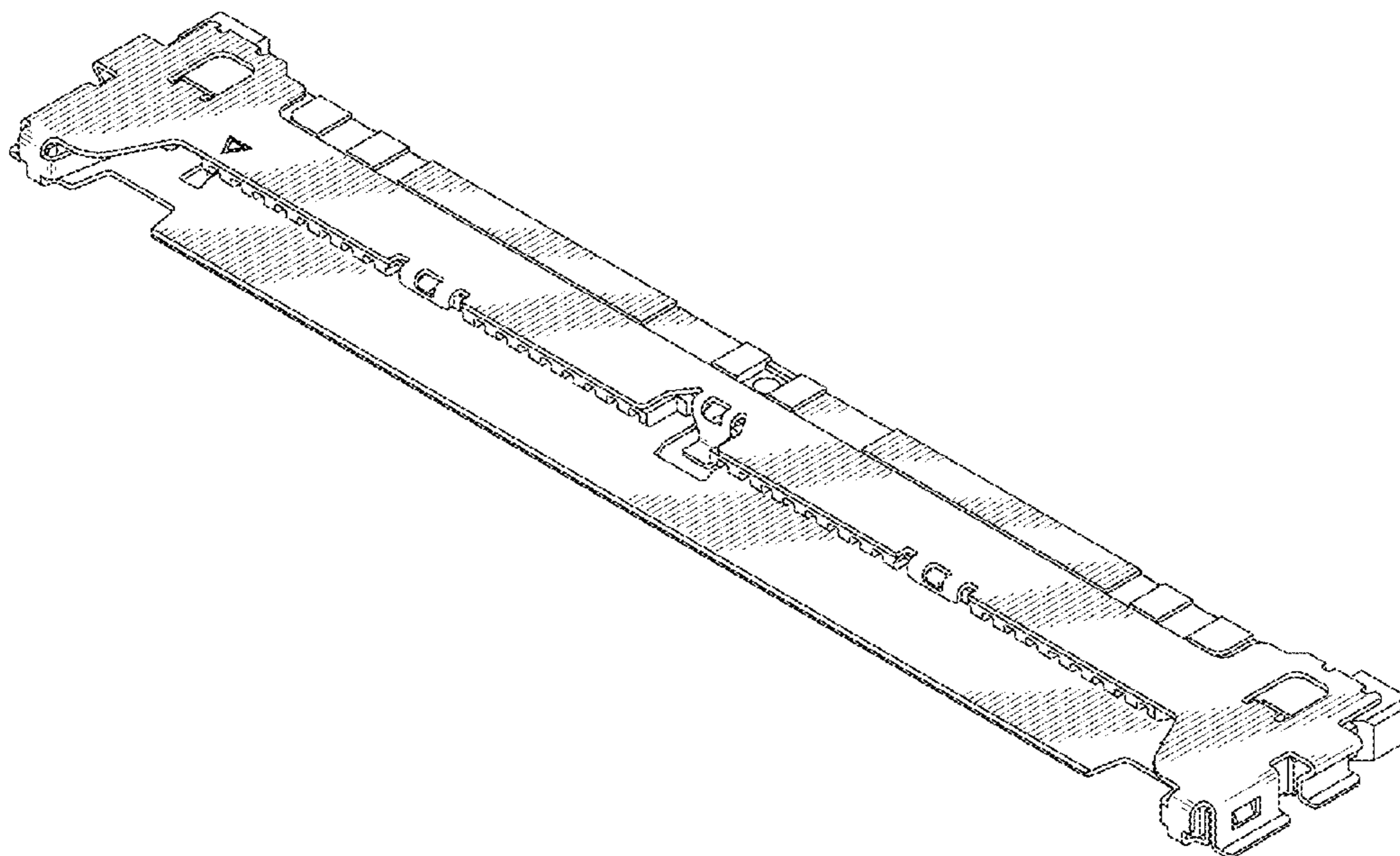
(56) **References Cited**

U.S. PATENT DOCUMENTS

D607,410 S * 1/2010 Ikari D13/147
D626,511 S * 11/2010 Nakajima D13/147
D641,322 S * 7/2011 Kurachi D13/147
D645,824 S * 9/2011 Kurachi D13/147

The broken lines in the drawings illustrate unclaimed envi-
ronment only and form no part of the claimed design.

1 Claim, 10 Drawing Sheets



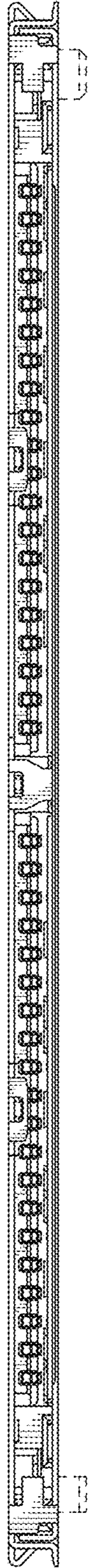


FIG. 1



FIG. 2

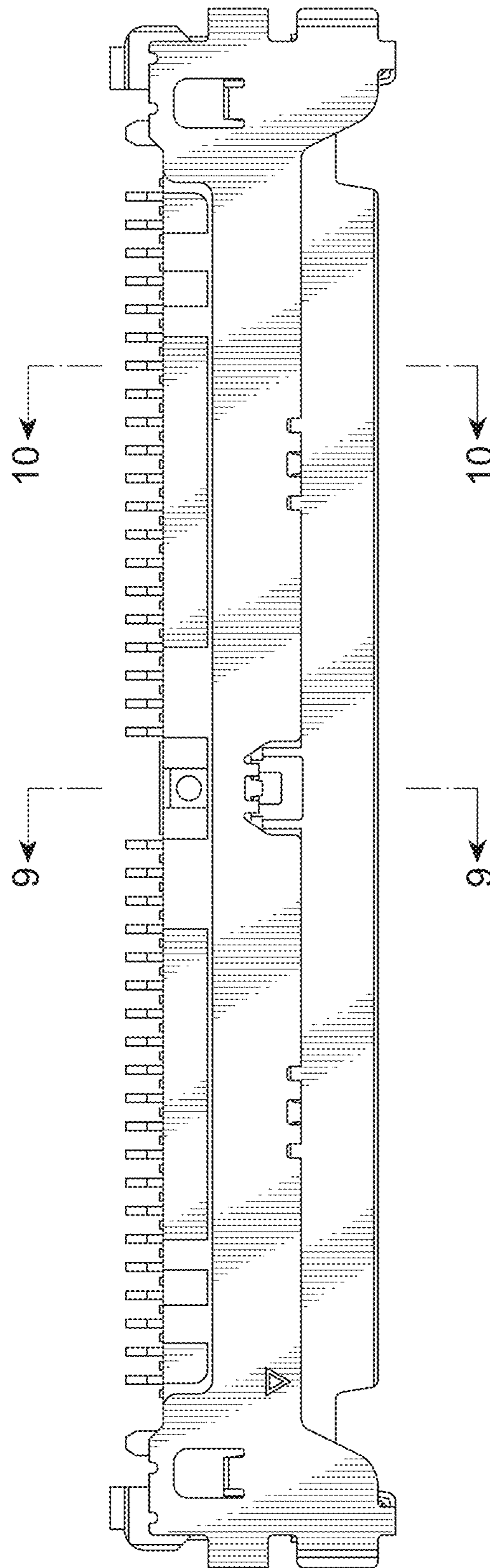


FIG. 3

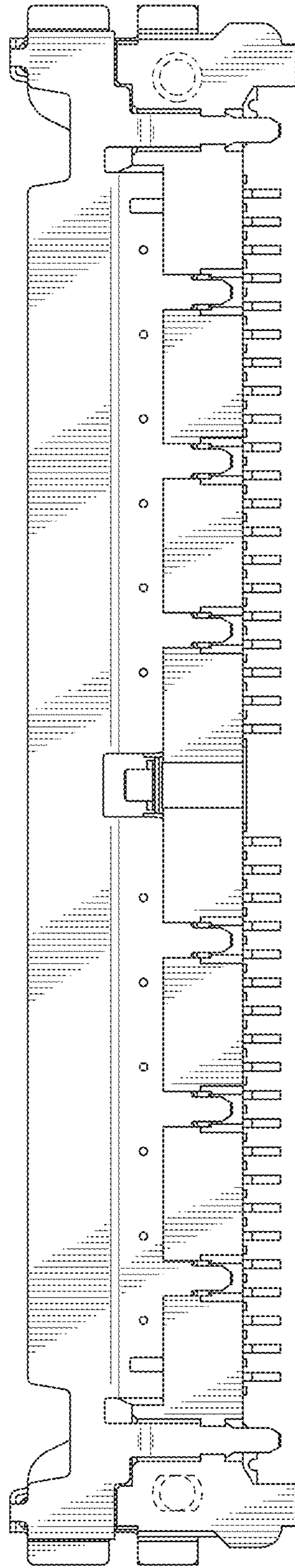


FIG. 4

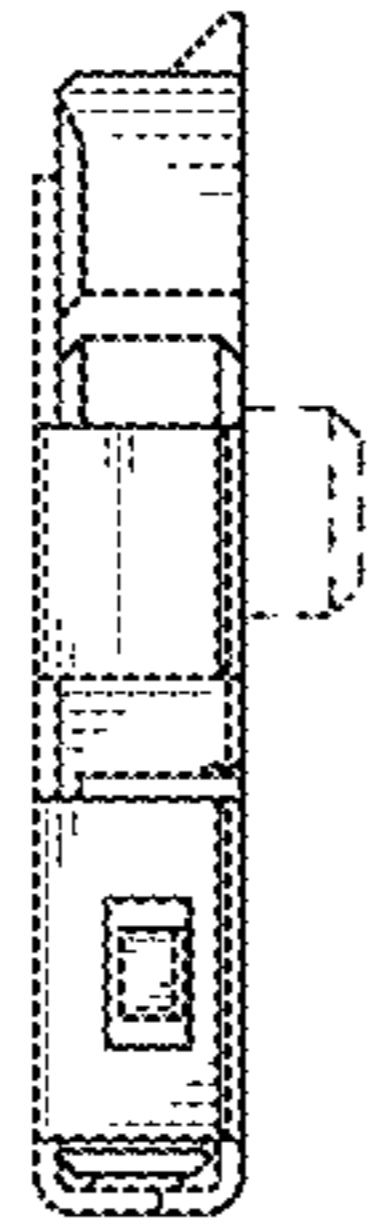


FIG. 5

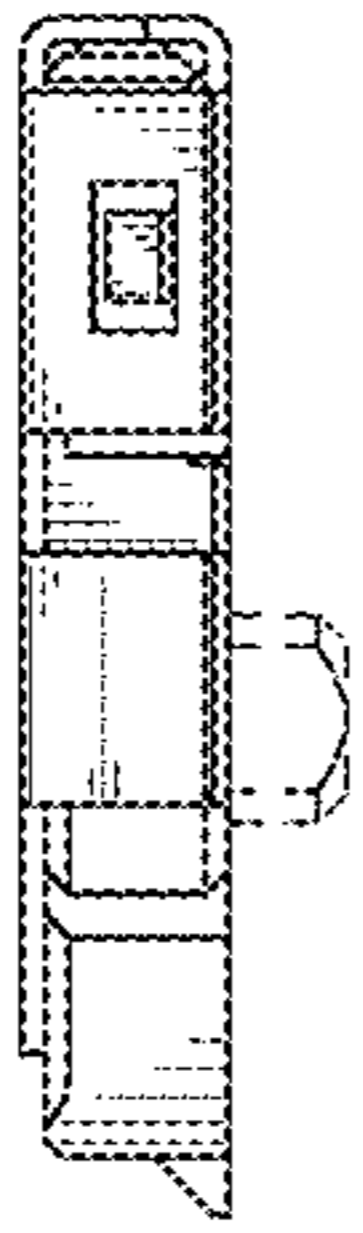


FIG. 6

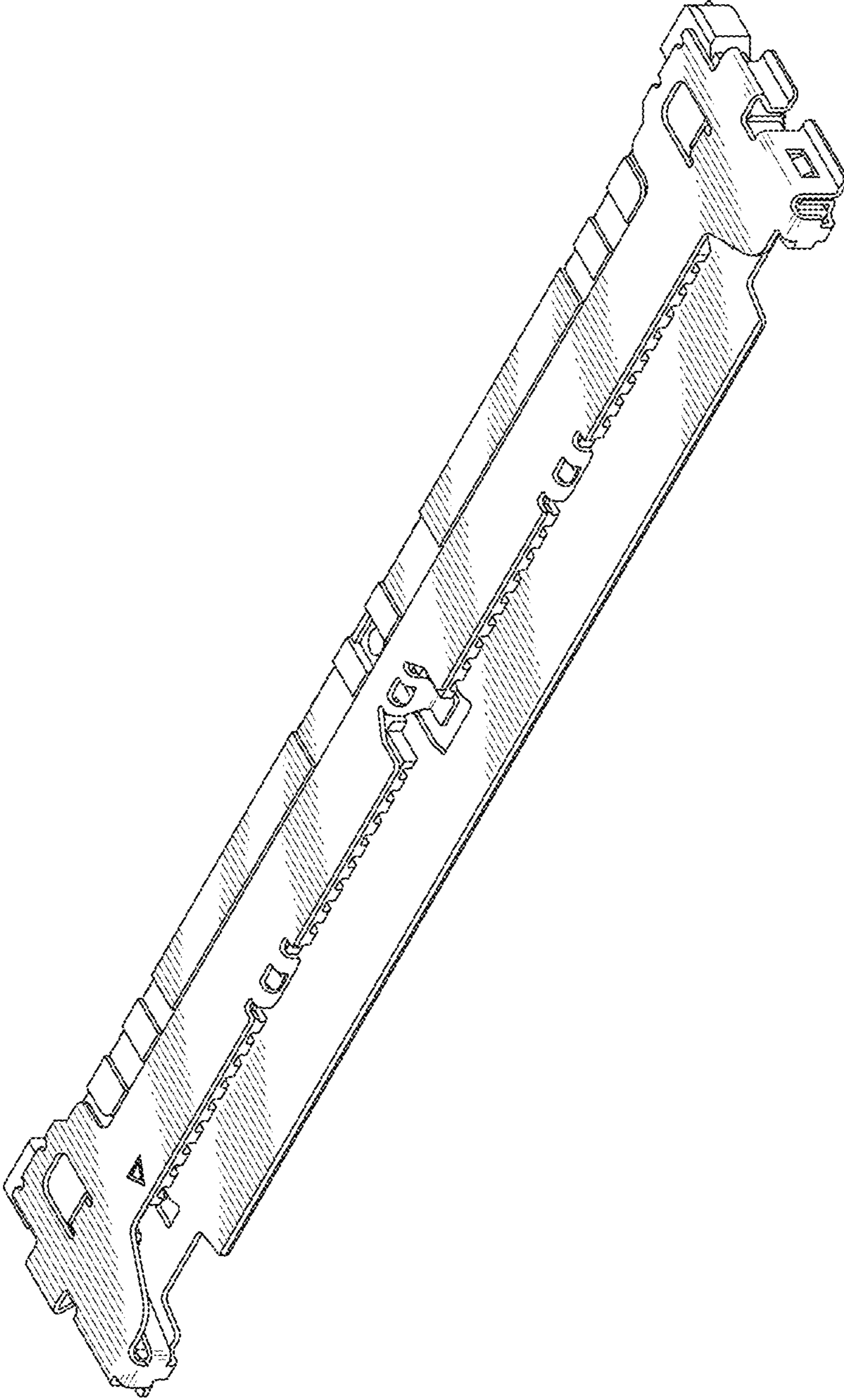


FIG. 7

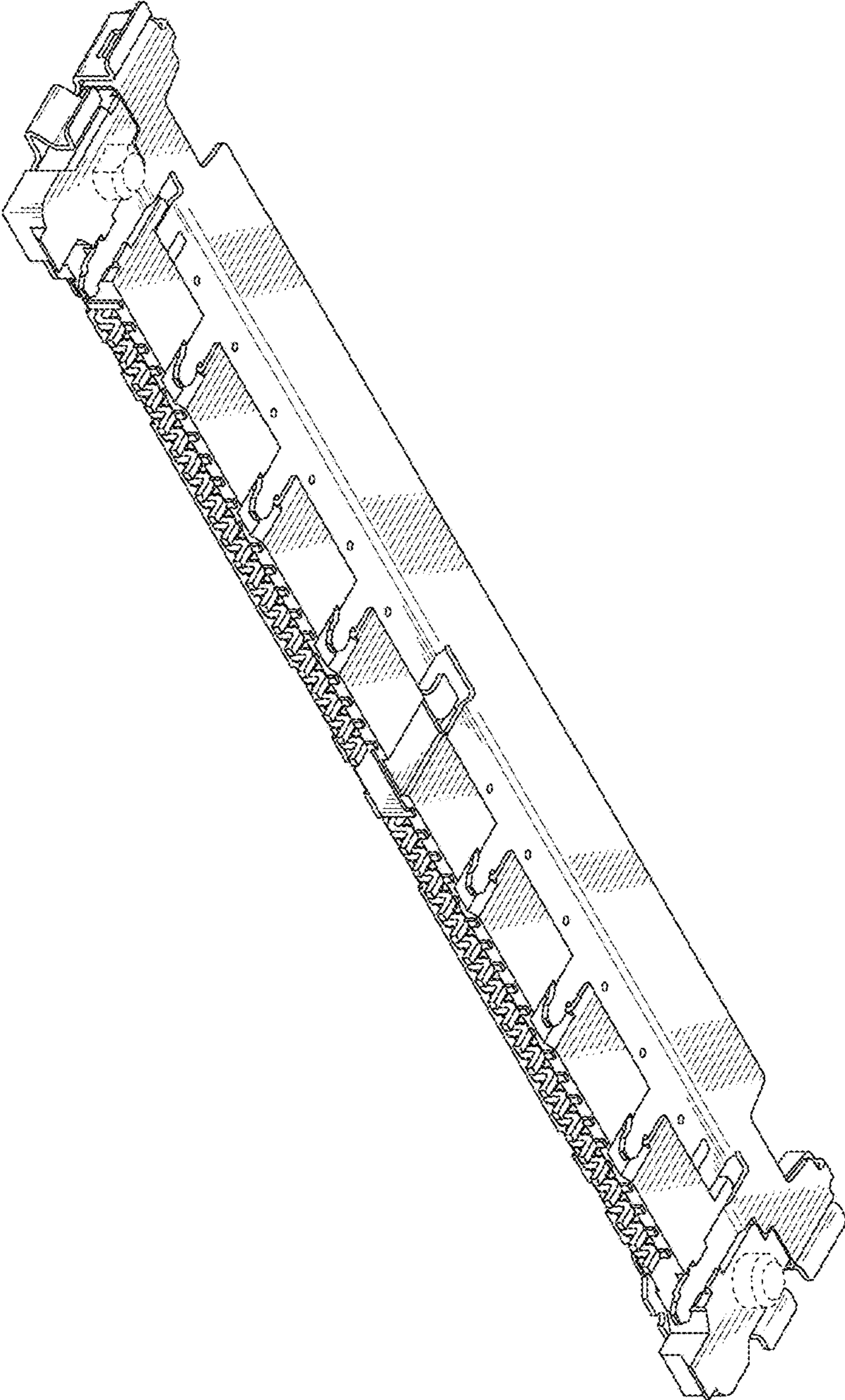


FIG. 8

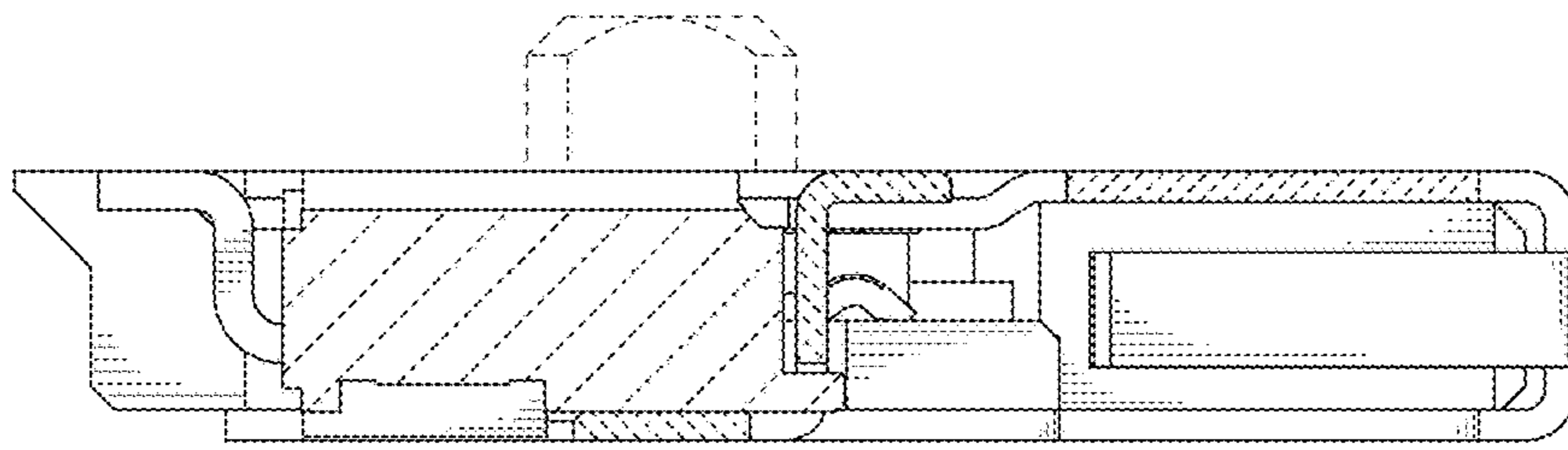


FIG. 9

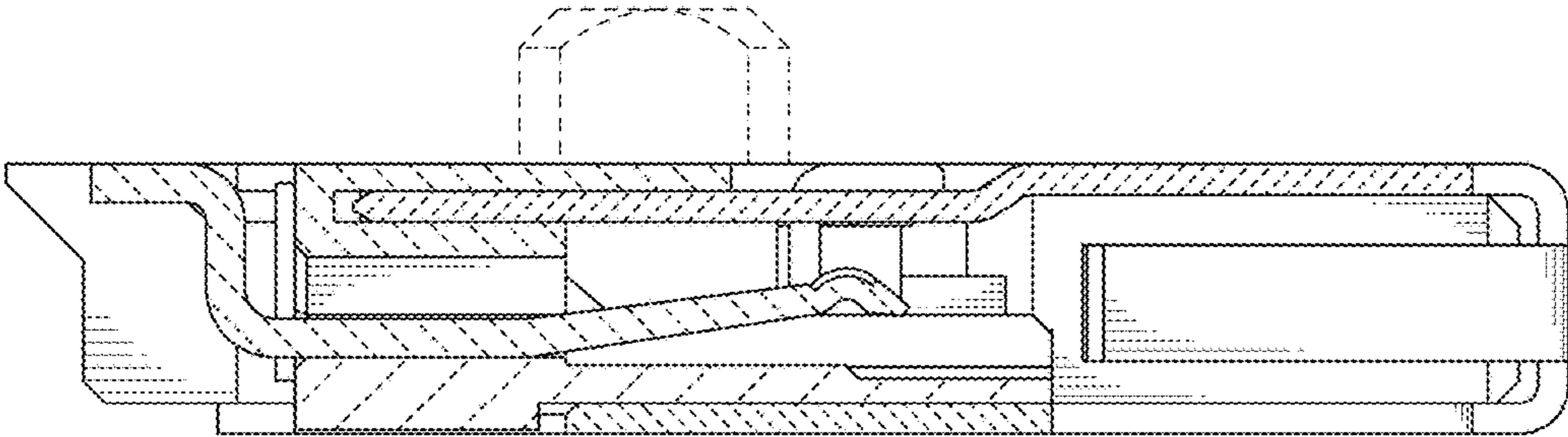


FIG. 10