



US00D839207S

(12) **United States Design Patent**
Endo et al.

(10) **Patent No.:** **US D839,207 S**
(45) **Date of Patent:** **** Jan. 29, 2019**

(54) **ELECTRICAL CONNECTOR**

(71) Applicant: **Dai-ichi Seiko Co., Ltd.**, Kyoto-shi,
Kyoto (JP)

(72) Inventors: **Takayoshi Endo**, Shizuoka (JP);
Shunya Oohashi, Shizuoka (JP)

(73) Assignee: **DAI-ICHI SEIKO CO., LTD.**, Kyoto
(JP)

(**) Term: **15 Years**

(21) Appl. No.: **29/614,622**

(22) Filed: **Aug. 21, 2017**

(30) **Foreign Application Priority Data**

Jun. 13, 2017 (JP) 2017-012617

(51) **LOC (11) Cl.** **13-03**

(52) **U.S. Cl.**
USPC **D13/147**

(58) **Field of Classification Search**

USPC D13/110, 112, 118, 120, 122, 123, 133,
D13/146, 147, 154, 173, 184, 199
CPC ... H01R 4/24; H01R 4/48; H01R 9/22; H01R
9/24; H01R 13/02; H01R 13/04; H01R
13/15; H01R 13/40; H01R 13/432; H01R
13/44; H01R 13/514; H01R 13/60; H01R
13/62; H01R 13/627; H01R 13/639;
H01R 13/64; H01R 24/00; H01R 31/00;
H01R 31/08; H01R 12/22; H01R 13/46

See application file for complete search history.

(56) **References Cited**

U.S. PATENT DOCUMENTS

D210,533 S * 3/1968 Pauza 174/138 F
5,106,318 A * 4/1992 Endo H01R 31/08
439/189

(Continued)

FOREIGN PATENT DOCUMENTS

JP 2000-067959 A 3/2000
JP 2002-151191 A 5/2002

OTHER PUBLICATIONS

Gikfun 2 Pin and 3 Pin Screw Terminal Block Connector, dated Sep. 15, 2015, [online], [site visited Apr. 24, 2018]. Available from Internet, <URL:https://www.amazon.com/dp/B015E3O4GS/ref=sspa_dk_detail_4?psc=1&pd_rd_i=B015E3O4GS&pd_rd_wg=fQFye&pd_rd_r=CFSHA3ZB8T7VWEQWVFYS&pd_rd_w=i3UWA>.*

(Continued)

Primary Examiner — Angela J Lee

Assistant Examiner — Shawn T Gingrich

(74) *Attorney, Agent, or Firm* — K&L Gates LLP; Louis C. Cullman; Georgia N. Kefallinos

(57) **CLAIM**

The ornamental design for an electrical connector, as shown and described.

DESCRIPTION

FIG. 1 is a front view of an electrical connector of my design.

FIG. 2 is a back view of the electrical connector of FIG. 1. FIG. 3 is a first side view of the electrical connector of FIG. 1.

FIG. 4 is a second side view of the electrical connector of FIG. 1.

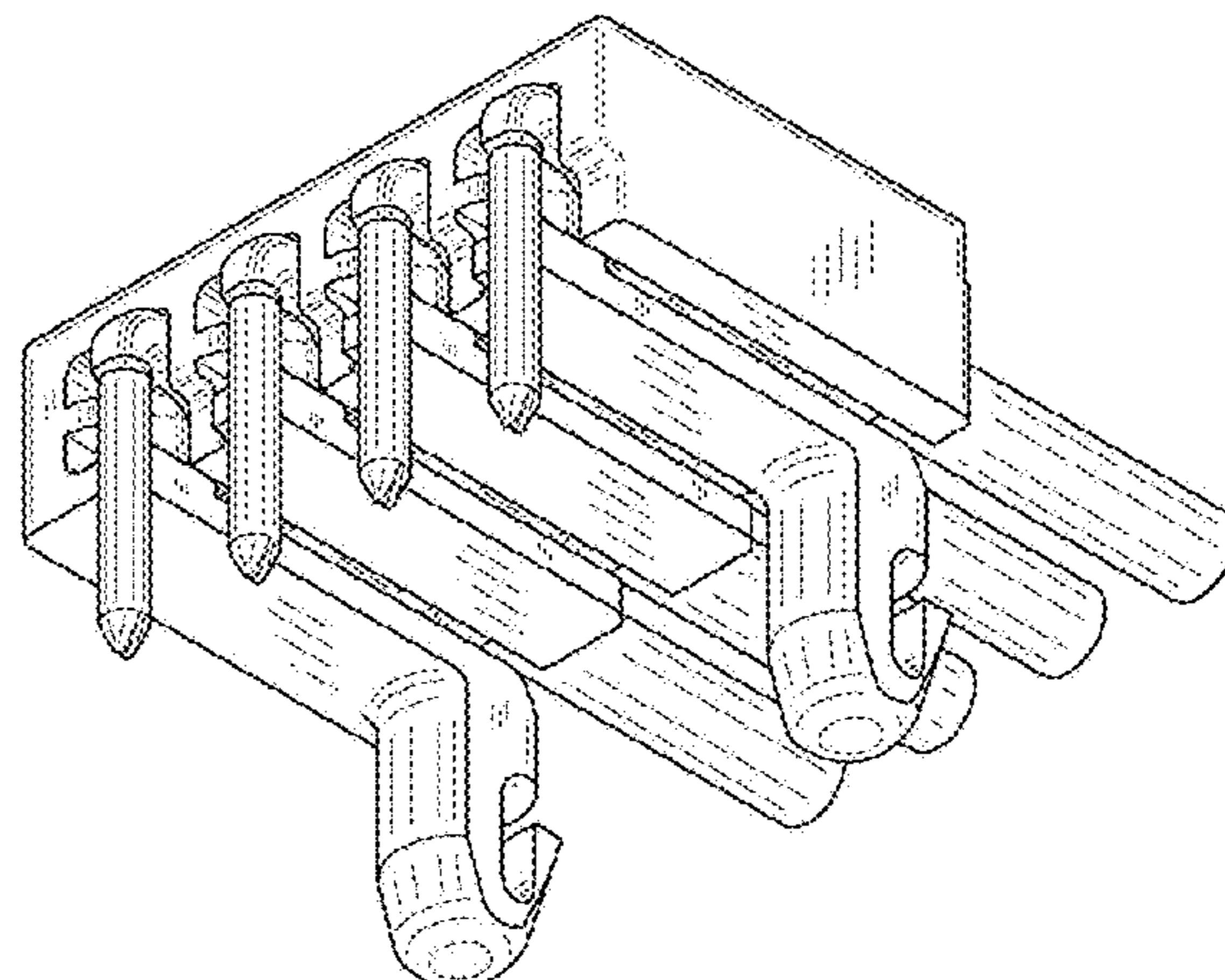
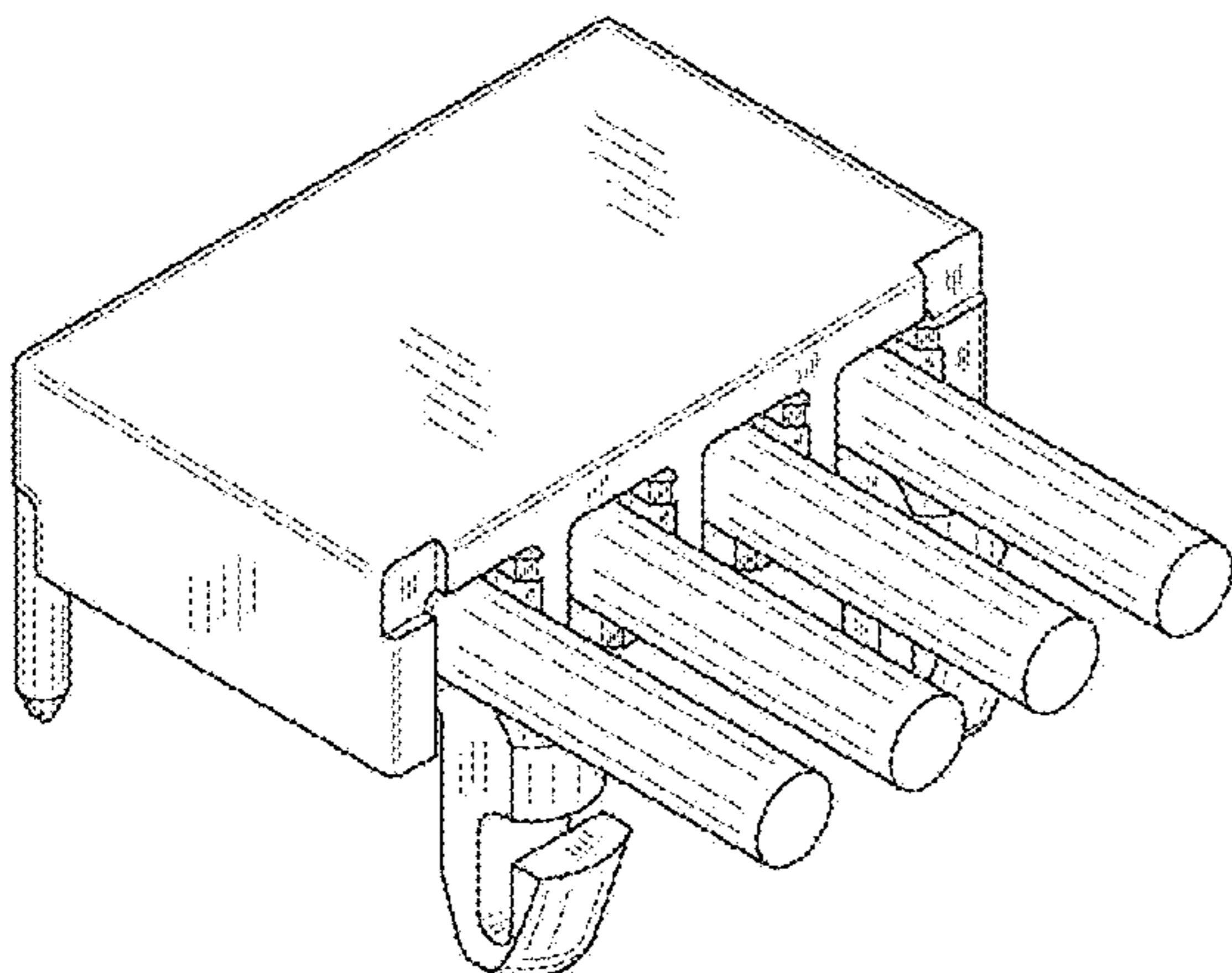
FIG. 5 is a top view of the electrical connector of FIG. 1. FIG. 6 is a bottom view of the electrical connector of FIG. 1.

FIG. 7 is a top perspective view of the electrical connector of FIG. 1; and,

FIG. 8 is a bottom perspective view of the electrical connector of FIG. 1.

Broken lines shown in the figures are included for the purpose of illustrating portions of the electrical connector housing and form no part of the claimed design.

1 Claim, 8 Drawing Sheets



(56)

References Cited

U.S. PATENT DOCUMENTS

5,651,697 A * 7/1997 Cinquegrani H01R 13/6272
439/374
5,975,940 A * 11/1999 Hartmann H01R 4/4818
439/441
D598,856 S * 8/2009 Stromiedel D13/133
D618,619 S * 6/2010 Walter D13/147
D647,483 S * 10/2011 Goto D13/147
D676,391 S * 2/2013 Gassauer D13/147
D699,683 S * 2/2014 Yoshisuji D13/147
2005/0009411 A1 * 1/2005 Wu H01R 13/11
439/746
2012/0122354 A1 * 5/2012 Chen H01R 13/432
439/746
2014/0016902 A1 * 1/2014 Pepe G02B 6/3893
385/76
2016/0006176 A1 * 1/2016 Kollmann H01R 4/4836
439/346

OTHER PUBLICATIONS

Design HMI Terminals, dated Apr. 14, 2017, [online], [site visited Apr. 24, 2018]. Available from Internet, <URL:<http://www.designhmi.com/2017/04/14/press-fit-terminals/>>.*

* cited by examiner

FIG. 1

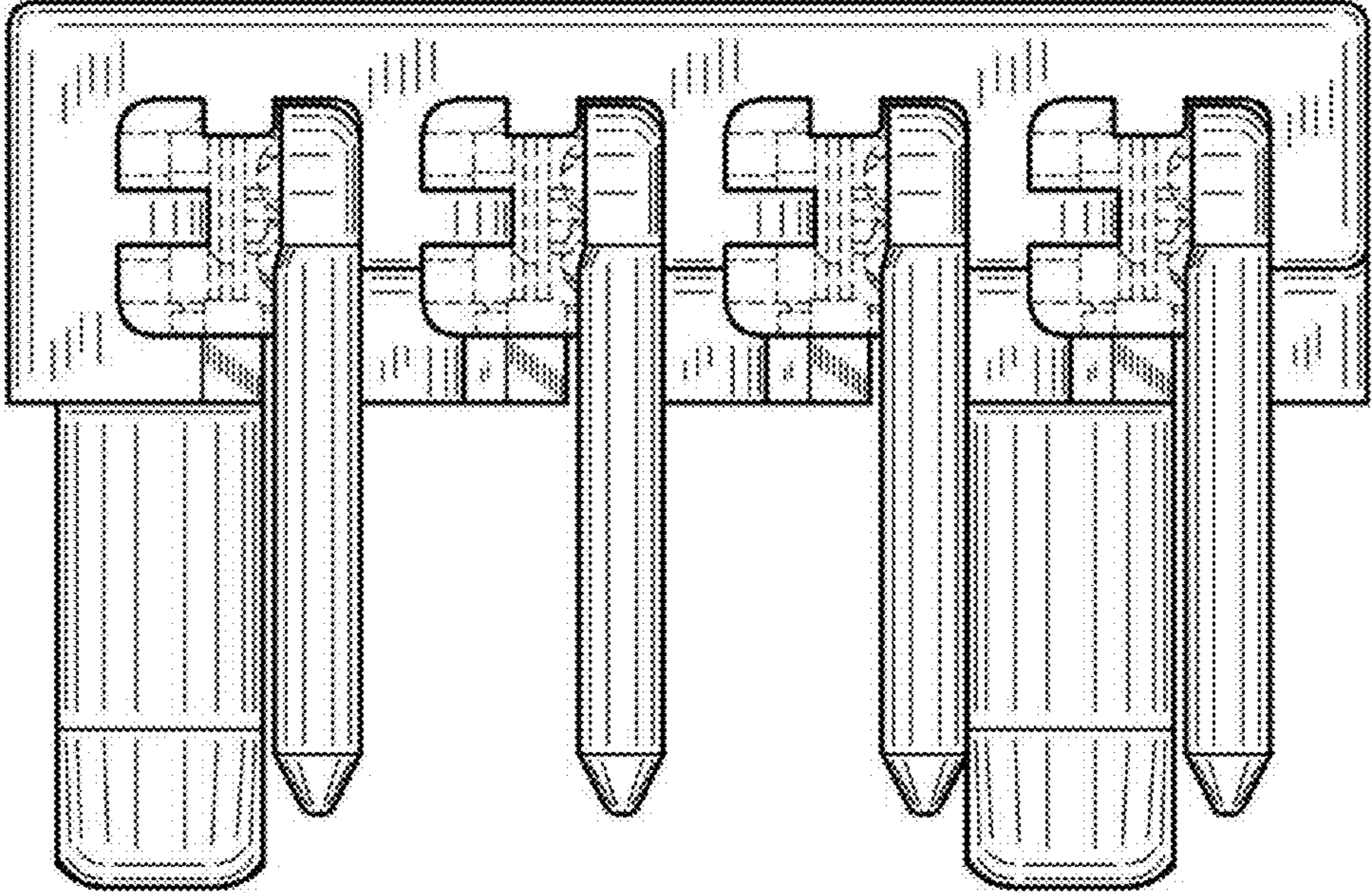


FIG. 2

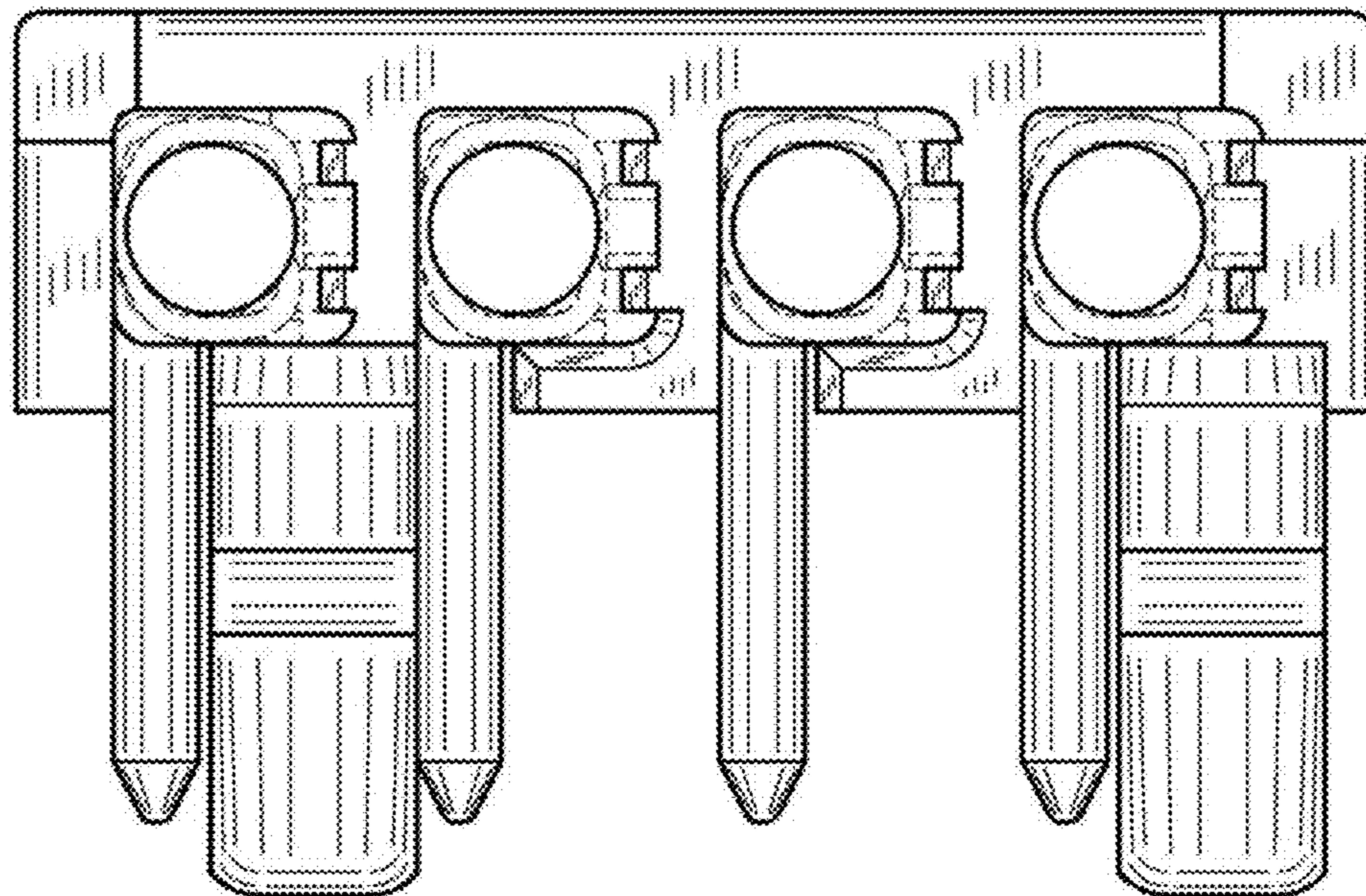


FIG. 3

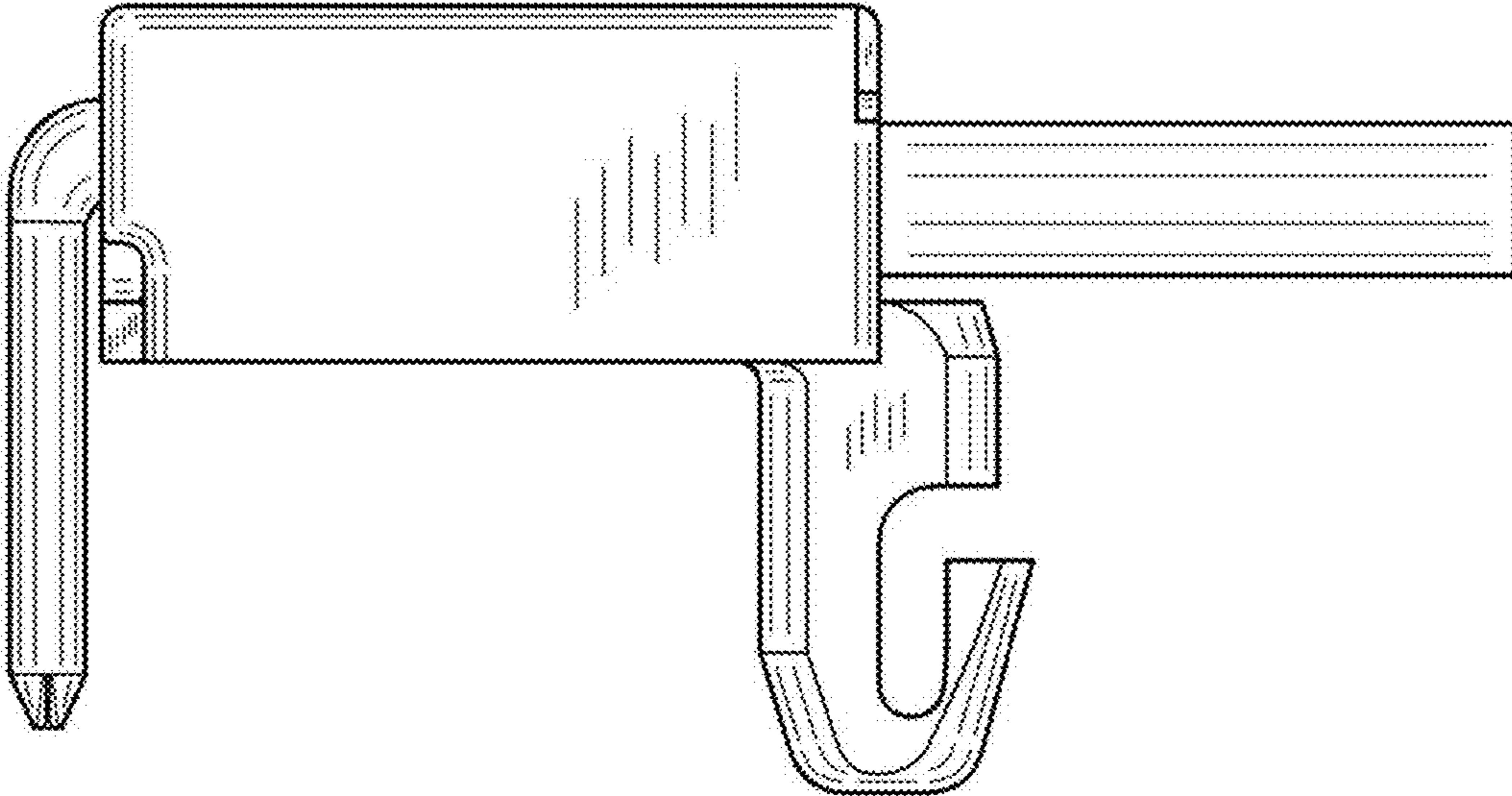


FIG. 4

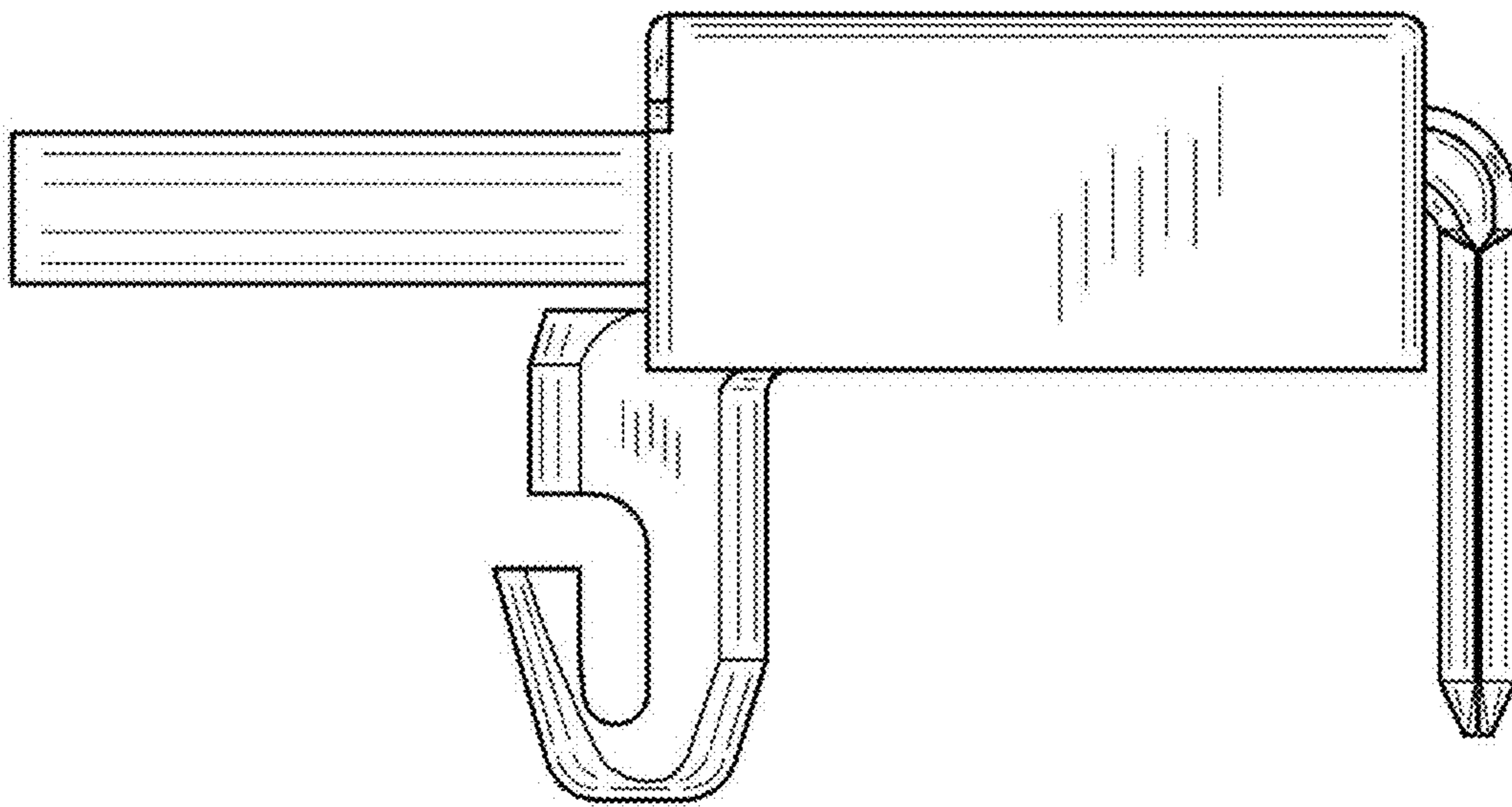


FIG. 5

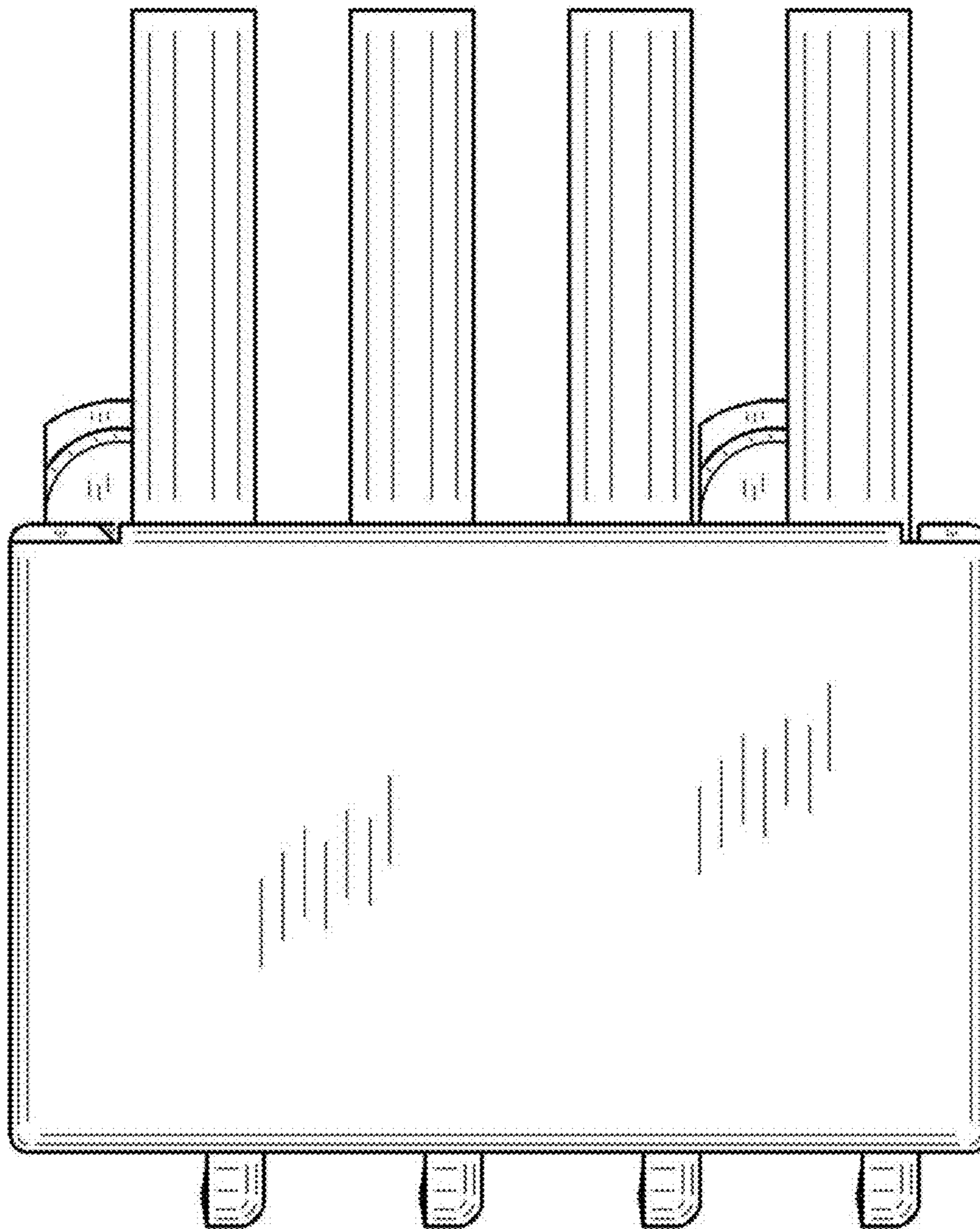


FIG. 6

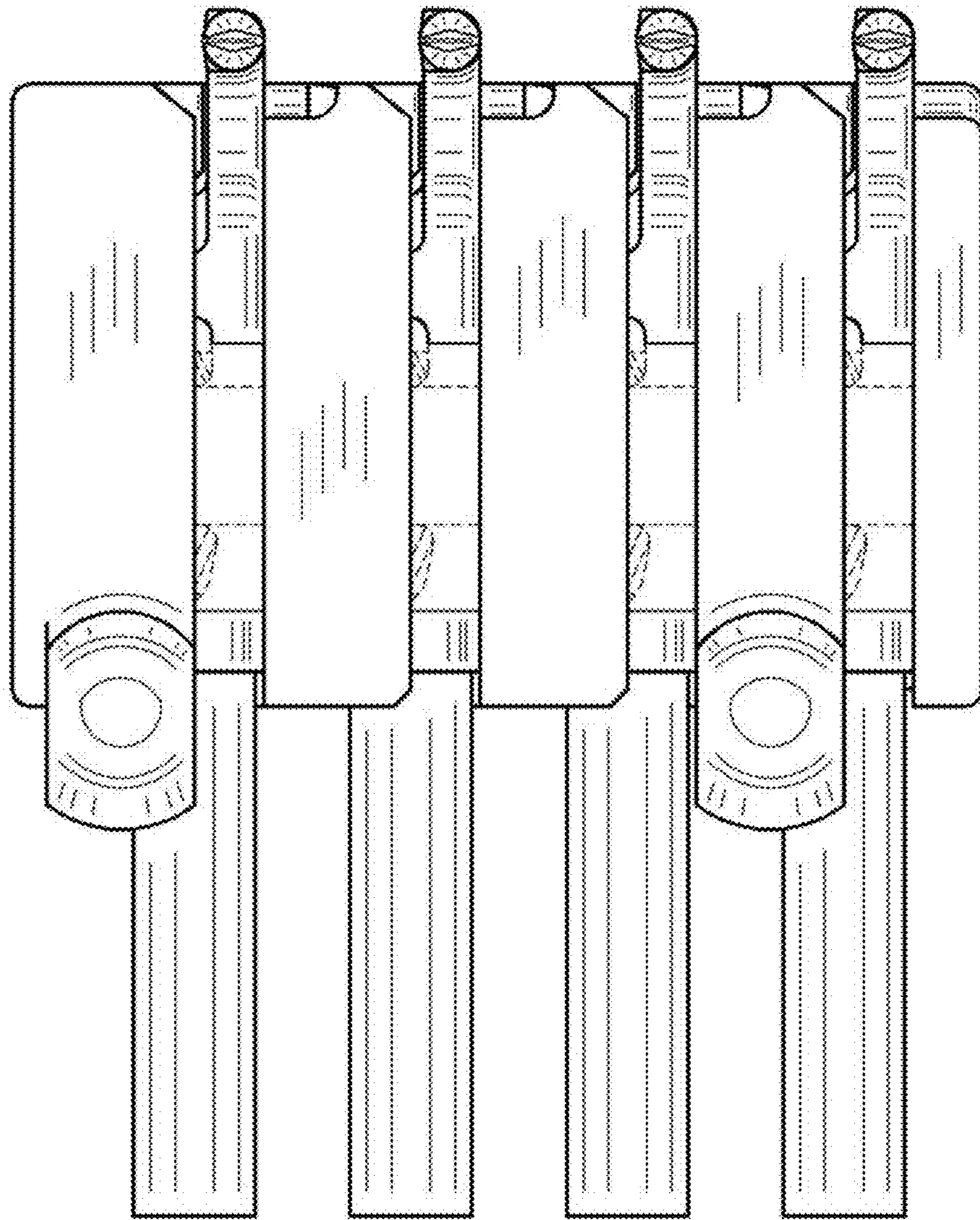


FIG. 7

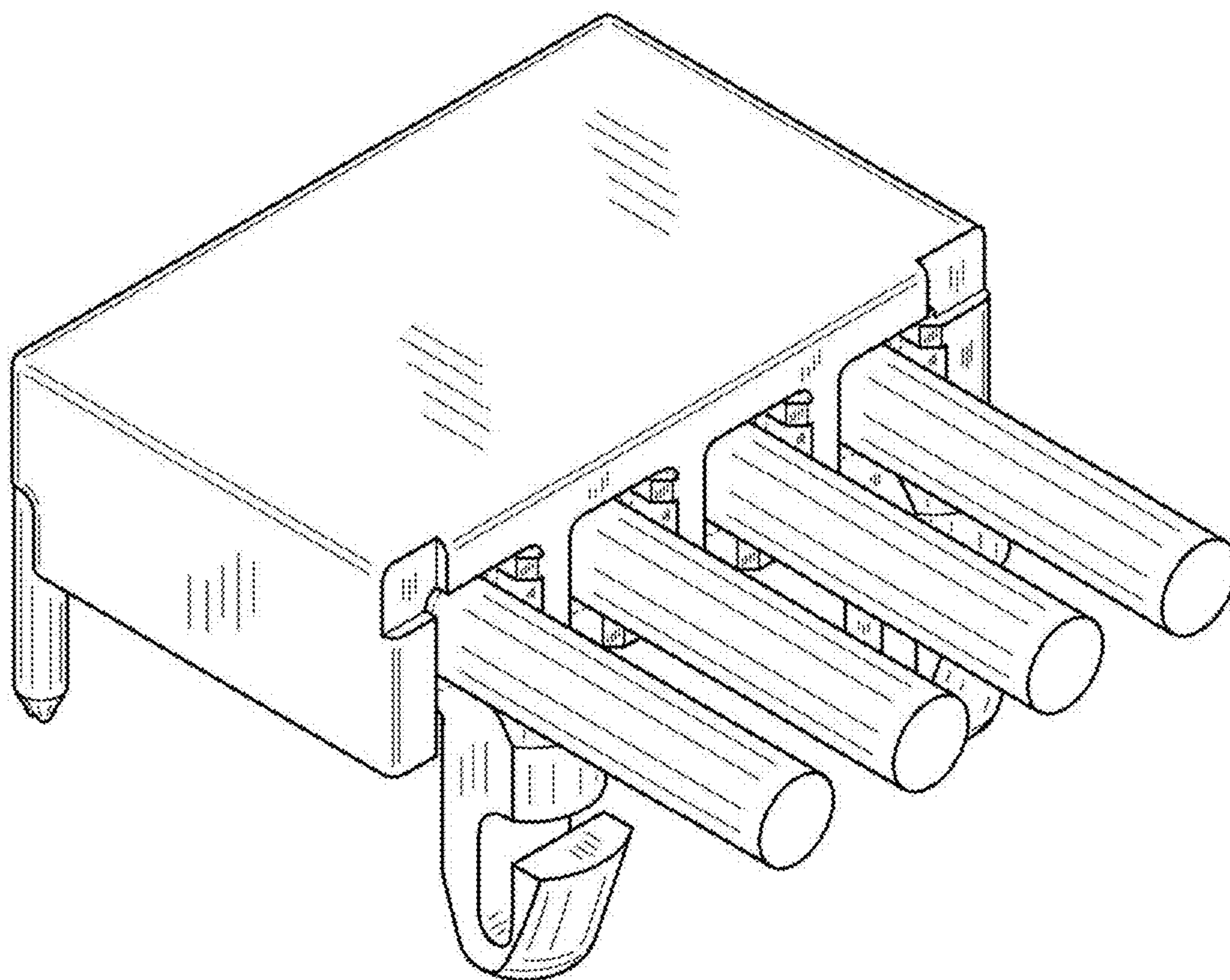


FIG. 8

