

US00D839204S

(12) **United States Design Patent**
Mielnik et al.

(10) **Patent No.:** **US D839,204 S**

(45) **Date of Patent:** **** Jan. 29, 2019**

(54) **HOODED CABLE PLUG**

(71) Applicant: **ABB Schweiz AG**, Baden (CH)

(72) Inventors: **David Mielnik**, Painesville, OH (US);
Richard Ogorek, Sagamore Hills, OH (US);
John Piunno, Painesville, OH (US);
Thomas Heilman, Wickliffe, OH (US);
Krzysztof Miedza, Bay Village, OH (US);
Brian Milliff, Cleveland, OH (US)

(73) Assignee: **ABB Schweiz AG**, Baden (CH)

(**) Term: **15 Years**

(21) Appl. No.: **29/614,279**

(22) Filed: **Aug. 17, 2017**

Related U.S. Application Data

(62) Division of application No. 29/526,159, filed on May 7, 2015, now Pat. No. Des. 796,448.

(51) **LOC (11) Cl.** **13-03**

(52) **U.S. Cl.**
USPC **D13/147**

(58) **Field of Classification Search**
USPC D13/110, 123, 133, 146, 147, 154, 184,
D13/199
CPC H05K 7/14; H05K 7/1401; H05K 7/1474;
H01R 24/64
See application file for complete search history.

(56) **References Cited**

U.S. PATENT DOCUMENTS

D365,808 S 1/1996 Alden
D366,455 S 1/1996 Cheng

D542,744 S * 5/2007 Chan G04B 37/0445
D13/184

D595,170 S 6/2009 Masters

D648,271 S * 11/2011 Spilker D13/133

D702,644 S 4/2014 Tseng

D769,246 S 10/2016 Mielnik

D789,296 S * 6/2017 Griepenstroh D13/133

D796,448 S * 9/2017 Mielnik D13/147

2016/0278230 A1 9/2016 Mielnik

* cited by examiner

Primary Examiner — Daniel D Bui

(74) *Attorney, Agent, or Firm* — J. Bruce Schelkopf; Taft Stettinius & Hollister LLP

(57) **CLAIM**

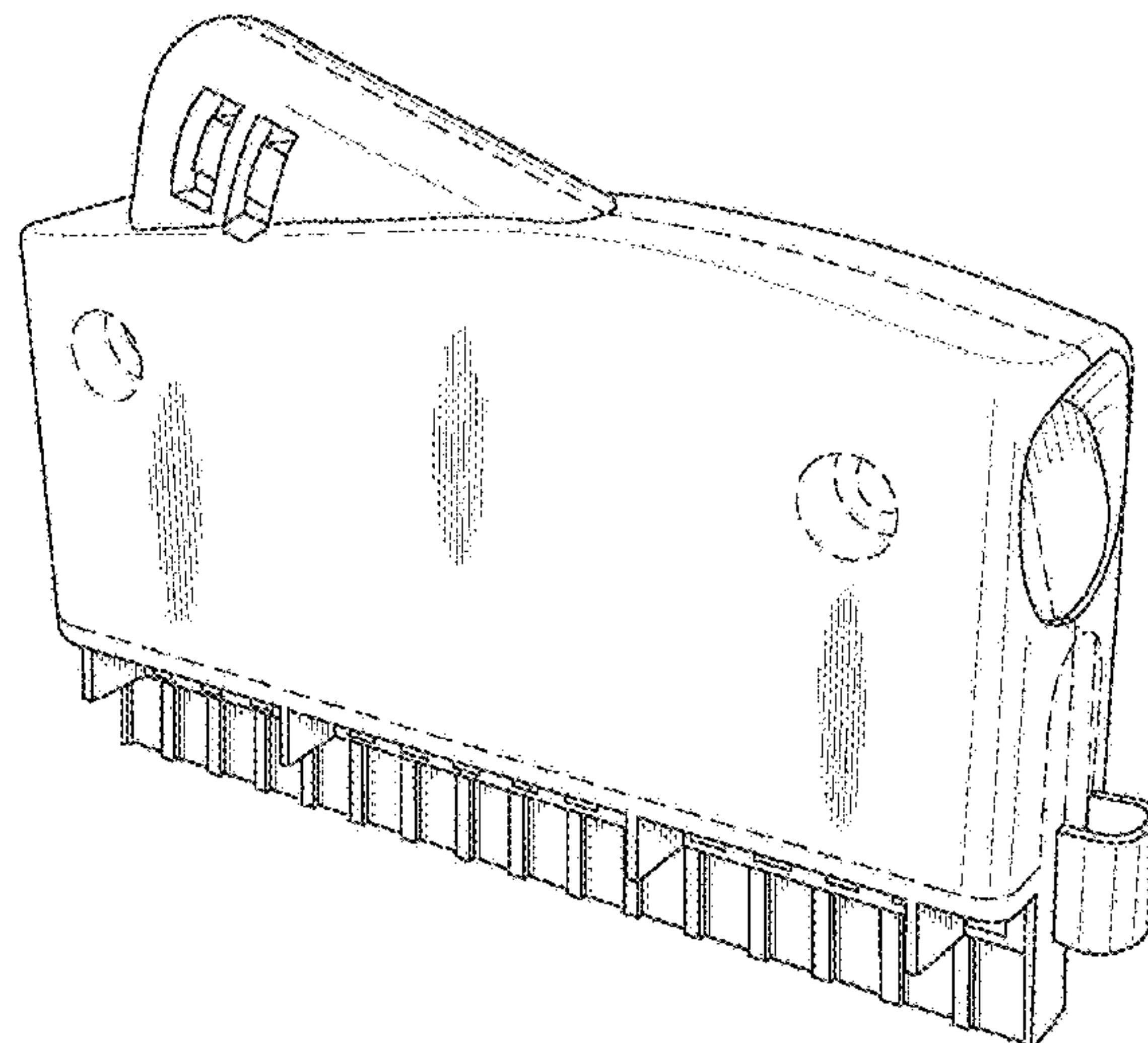
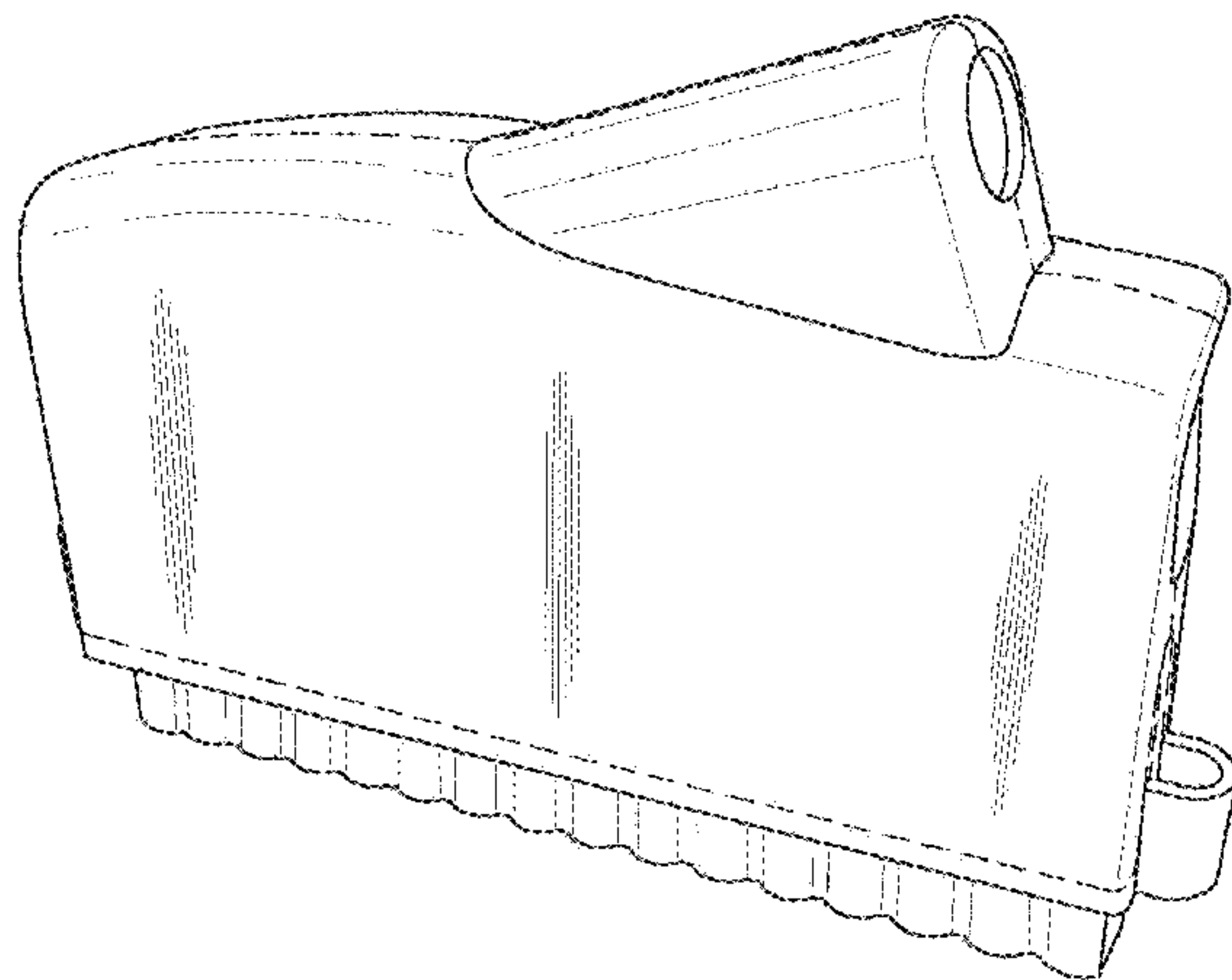
The ornamental design of a hooded cable plug, substantially as shown and described.

DESCRIPTION

FIG. 1 is a rear and left side perspective view of a hooded cable plug in accordance with the present invention; FIG. 2 is a front and right side perspective view of the hooded cable plug in FIG. 1; FIG. 3 is a left side elevation view thereof; FIG. 4 is a front elevation view thereof; FIG. 5 is a rear elevation view thereof; FIG. 6 is a right side elevation view thereof; FIG. 7 is a top plan view thereof; and, FIG. 8 is a bottom plan view thereof.

The broken line in the drawing views represent unclaimed environment only and forms no part of the claimed design.

1 Claim, 6 Drawing Sheets



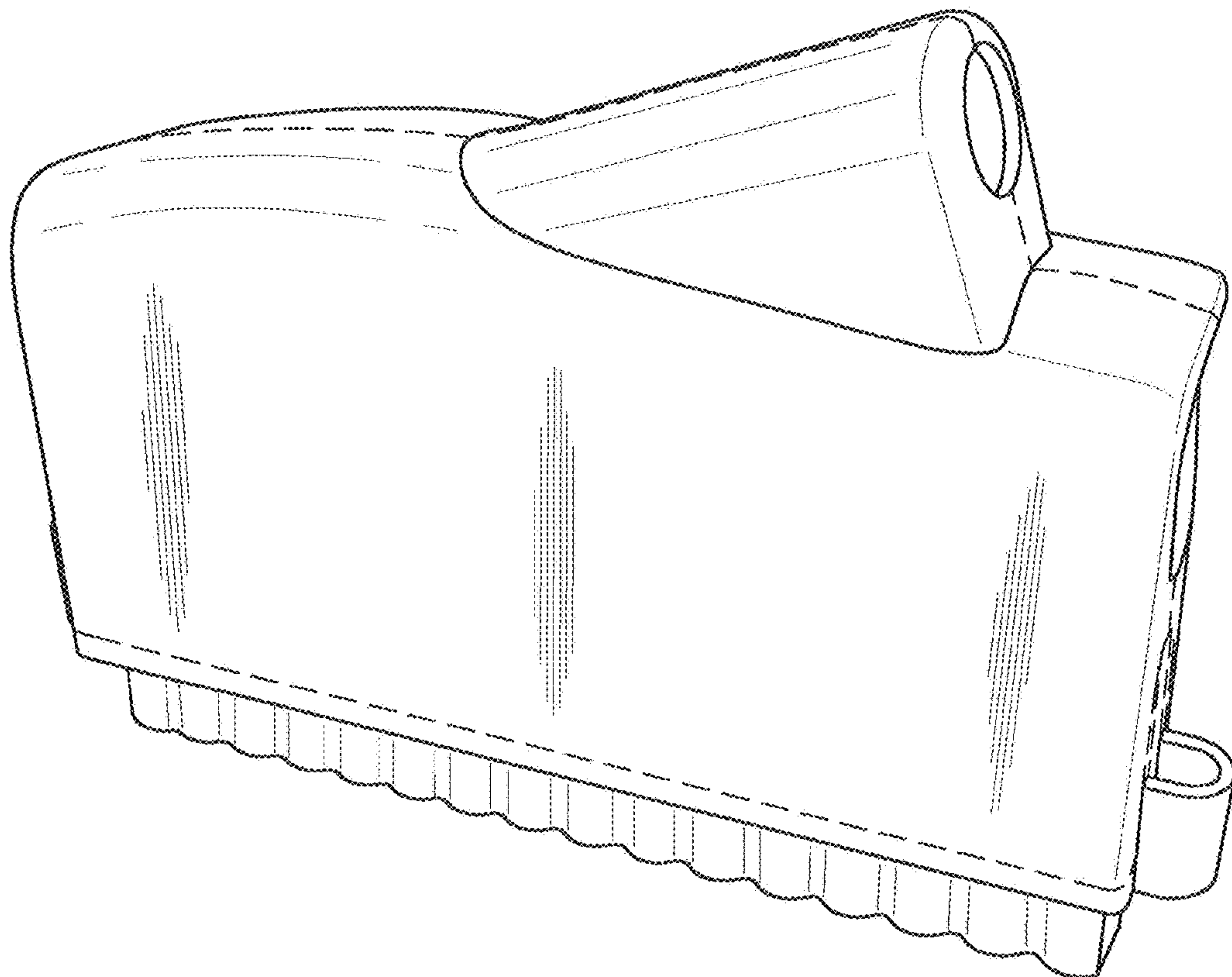


FIG. 1

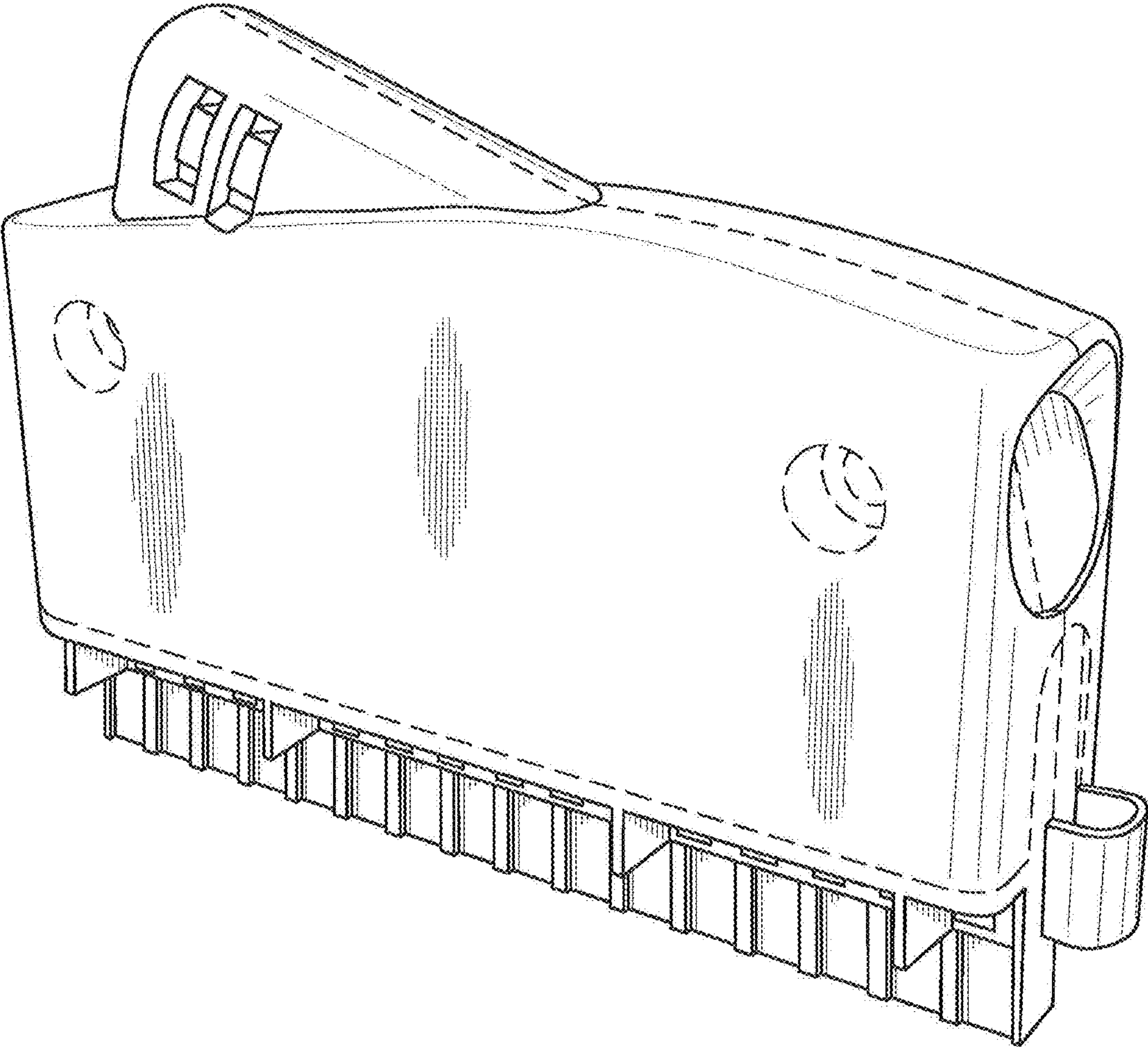


FIG. 2

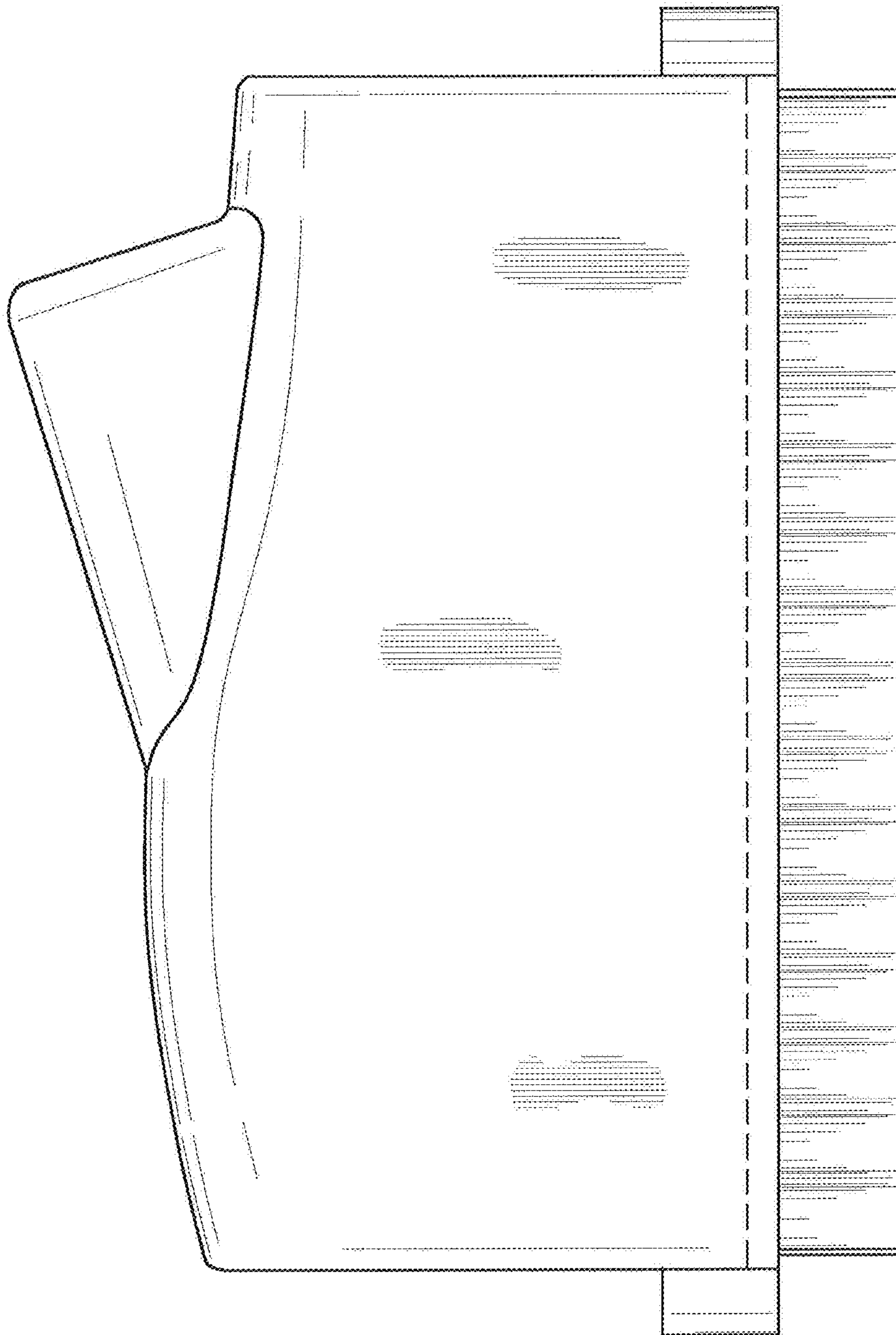


FIG. 3

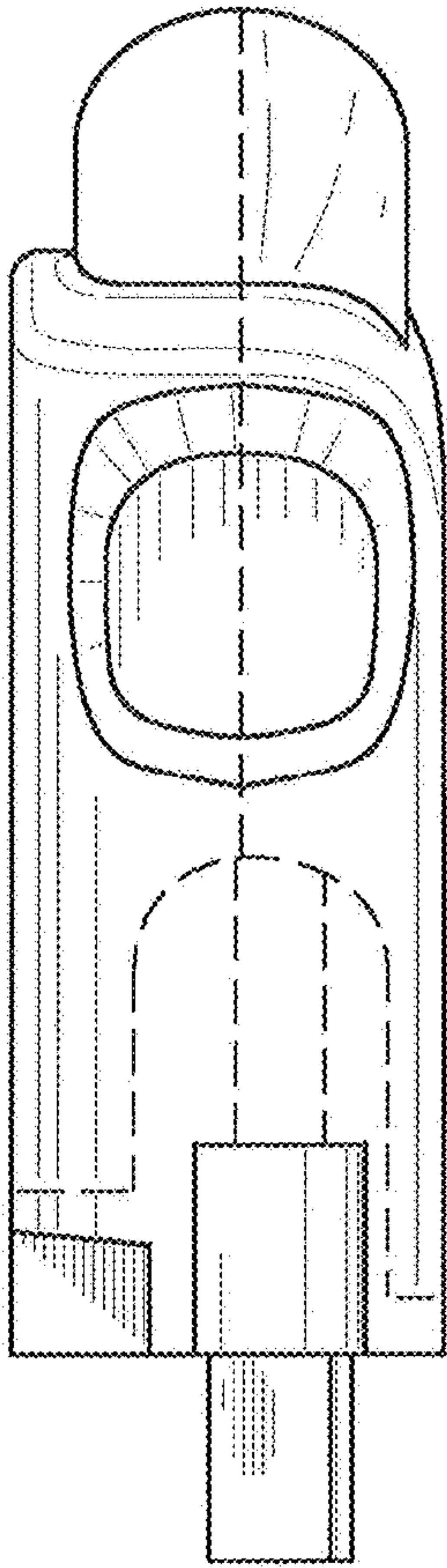


FIG. 4

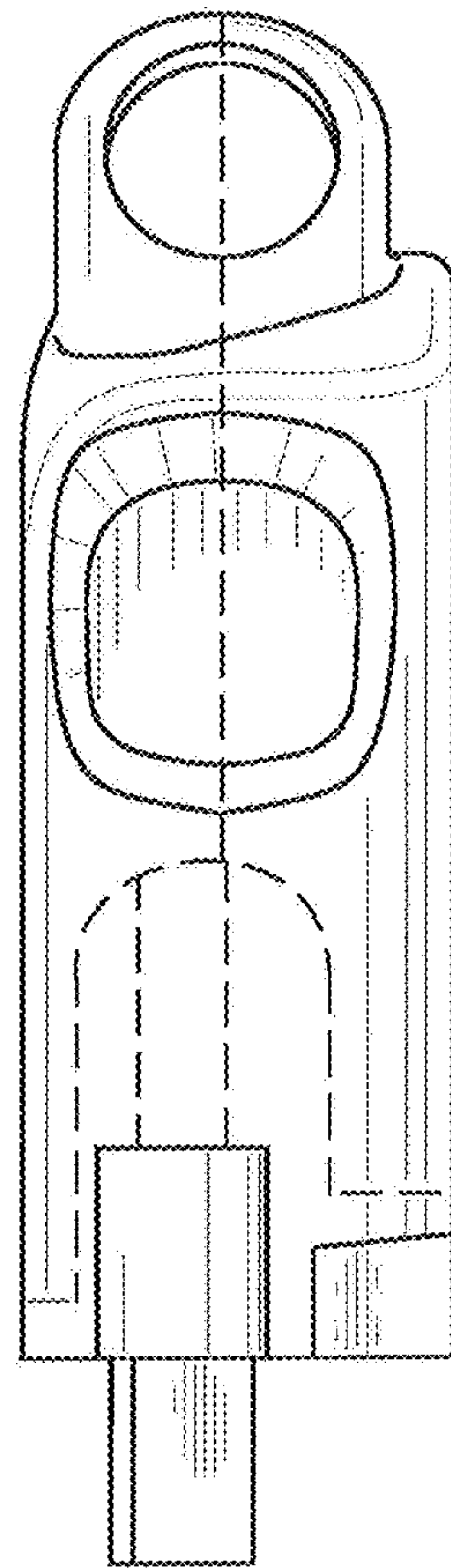


FIG. 5

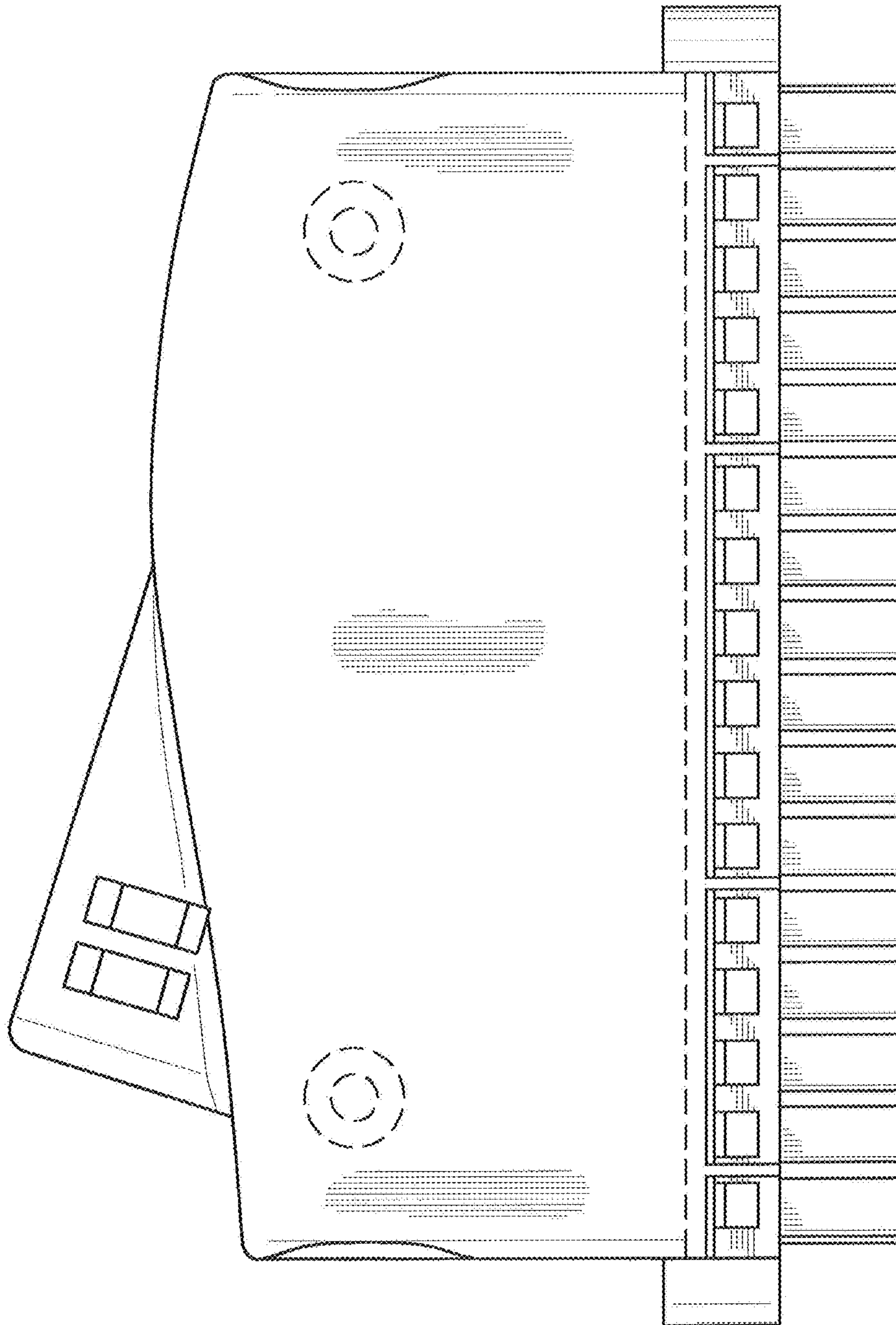


FIG. 6

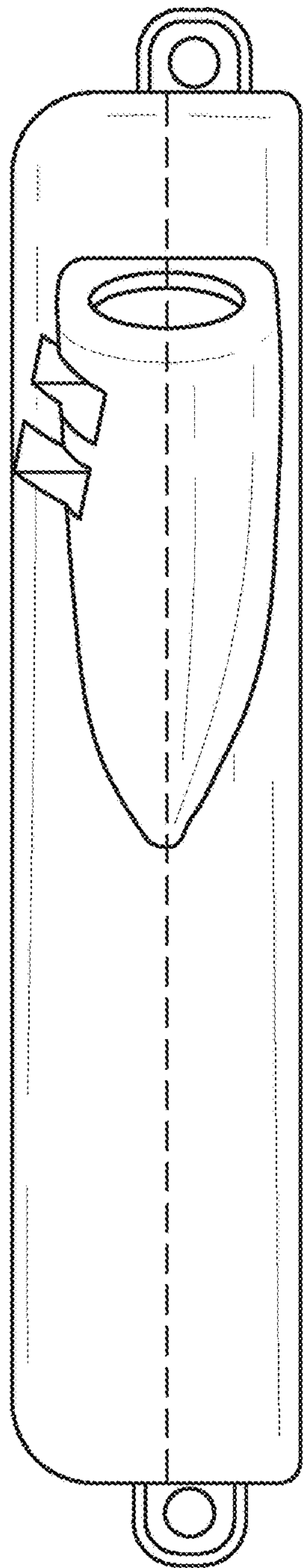


FIG. 7

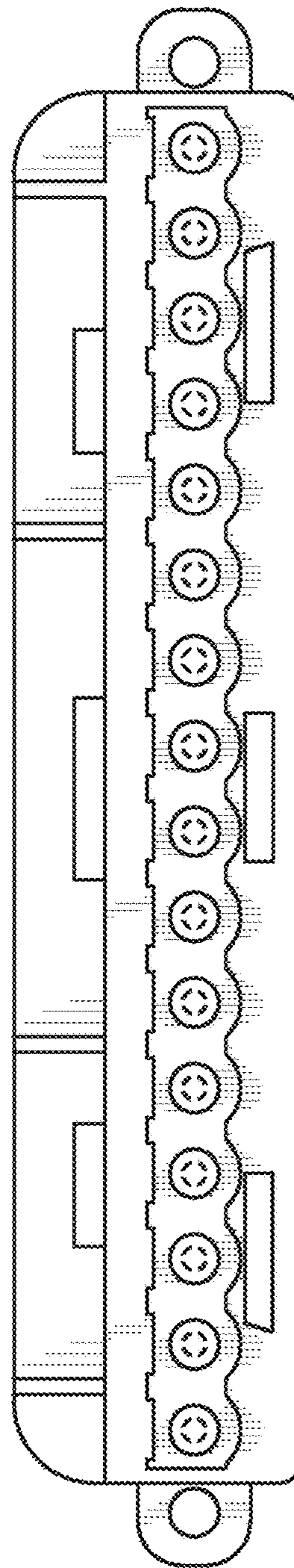


FIG. 8