



US00D839202S

(12) **United States Design Patent**
Toba

(10) **Patent No.:** **US D839,202 S**
(45) **Date of Patent:** **** Jan. 29, 2019**

(54) **ELECTRICAL CONNECTOR**
(71) Applicant: **Sony Corporation**, Tokyo (JP)
(72) Inventor: **Kazuaki Toba**, Kanagawa (JP)
(73) Assignee: **SONY CORPORATION**, Tokyo (JP)
(**) Term: **14 Years**

D679,251 S * 4/2013 Yokoyama D13/147
D705,739 S * 5/2014 Yoshisuji D13/147
D706,222 S * 6/2014 Yamaguchi D13/147
D706,719 S * 6/2014 Yokoyama D13/147

(Continued)

(21) Appl. No.: **29/497,604**
(22) Filed: **Jul. 25, 2014**

FOREIGN PATENT DOCUMENTS

JP 2012-190614 A 10/2012

(30) **Foreign Application Priority Data**

Mar. 20, 2014 (JP) D2014-006024
Mar. 20, 2014 (JP) D2014-006025
Mar. 20, 2014 (JP) D2014-006026
Mar. 20, 2014 (JP) D2014-006027
Mar. 20, 2014 (JP) D2014-006028
Mar. 20, 2014 (JP) D2014-006029
Mar. 20, 2014 (JP) D2014-006030
Mar. 20, 2014 (JP) D2014-006031
Mar. 20, 2014 (JP) D2014-006032
Mar. 20, 2014 (JP) D2014-006033

OTHER PUBLICATIONS

Decision on Appeal No. 2015-5816 issued in Japanese Application No. D2014-006030, dated Jan. 22, 2016.

Primary Examiner — Kevin K Rudzinski
Assistant Examiner — Richard Kearney
(74) *Attorney, Agent, or Firm* — Michael Best and Friedrich LLP

(51) **LOC (11) Cl.** **13-03**
(52) **U.S. Cl.**
USPC **D13/147**
(58) **Field of Classification Search**
USPC D13/110, 112, 118, 119, 133, 134,
D13/146-148, 154, 158, 159, 173, 199;
D14/356, 432, 433, 483
CPC H01R 13/405; H01R 13/432; H01R
13/6585; H01R 13/6595; H01R 24/66;
H01R 24/76; H01R 43/16; H01R
2107/00; H01R 13/65802; H01R 24/60
See application file for complete search history.

(57) **CLAIM**

The ornamental design for an electrical connector, as shown and described.

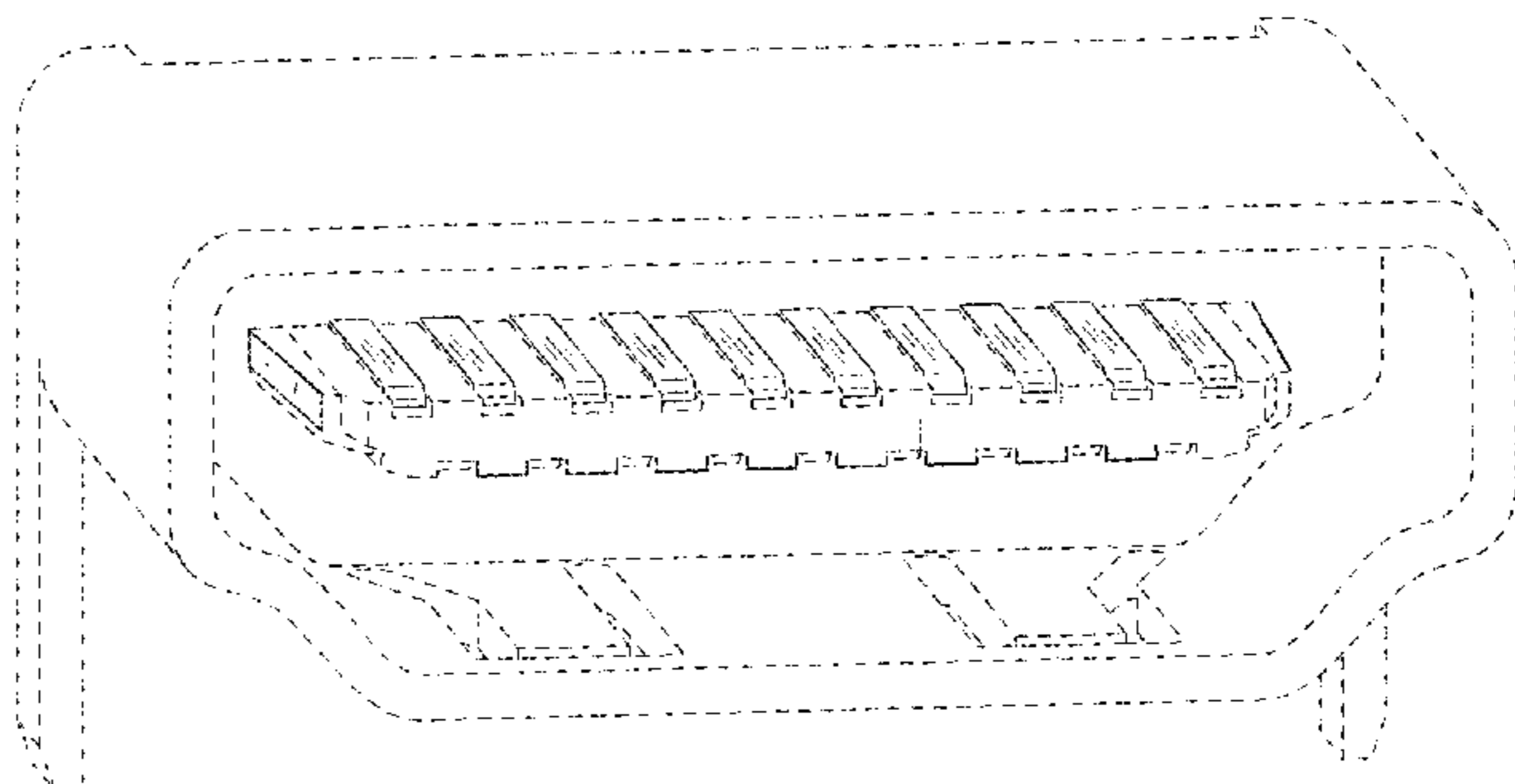
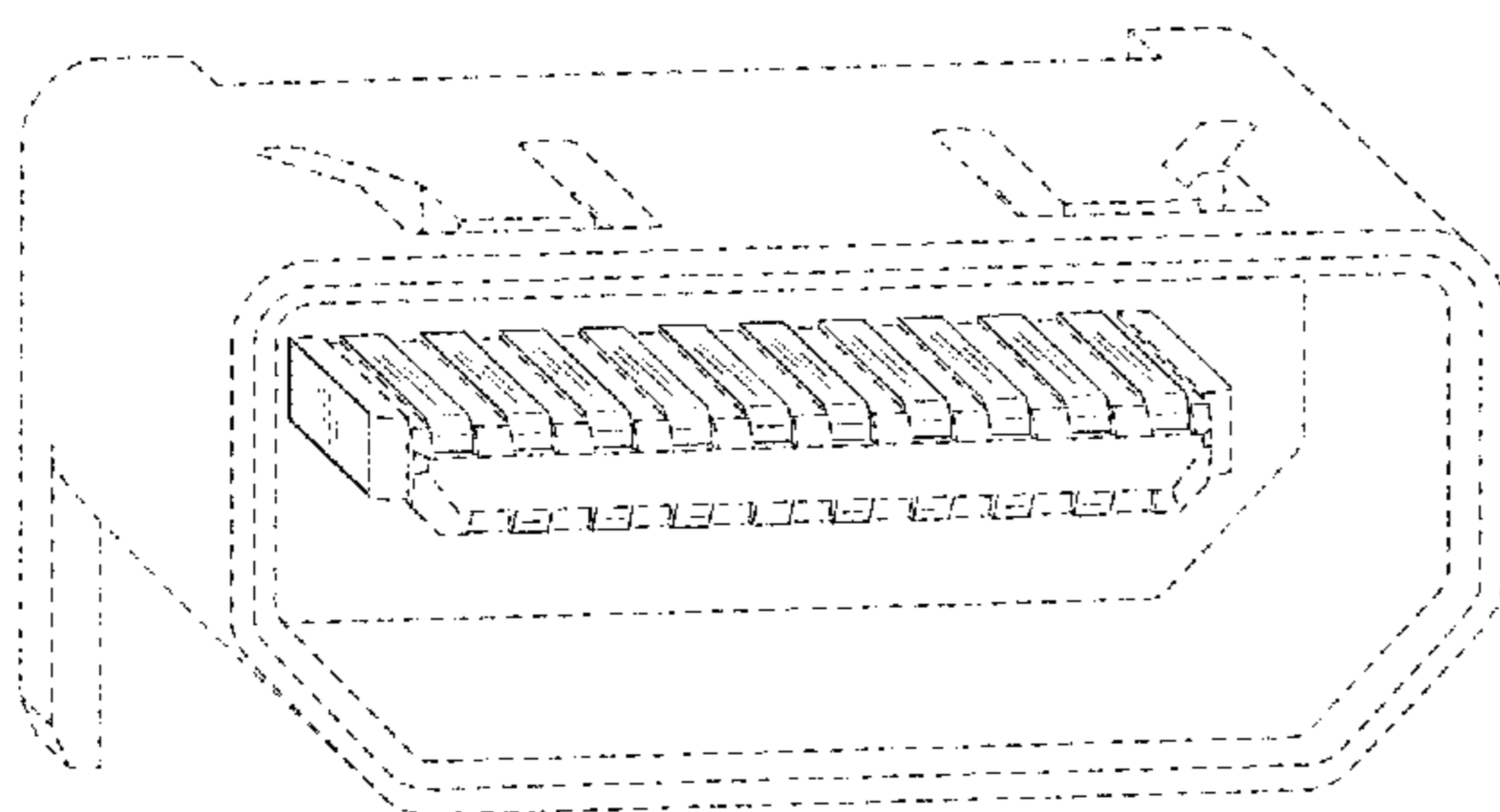
(56) **References Cited**
U.S. PATENT DOCUMENTS

D509,475 S 9/2005 Tsai
D670,654 S * 11/2012 Kajiura D13/147

DESCRIPTION

FIG. 1 is a front, top, left perspective view of a first embodiment of an electrical connector showing my new design;
FIG. 2 is a front, bottom, right perspective view thereof;
FIG. 3 is a front elevational view thereof; and
FIG. 4 is a top plan view thereof.
FIG. 5 is a front, top, left perspective view of a second embodiment of an electrical connector showing my new design;
FIG. 6 is a front, bottom, right perspective view thereof; and
FIG. 7 is a front elevational view thereof.
The broken lines shown in the drawings illustrate portions of the electrical connector that form no part of the claimed design. The dot-dash broken lines defining the boundaries of the claimed design form no part of the claimed design.

1 Claim, 5 Drawing Sheets



(56)

References Cited

U.S. PATENT DOCUMENTS

D706,724 S * 6/2014 McCartin D13/147
D709,035 S * 7/2014 Yokoyama D13/147
8,961,194 B2 * 2/2015 Ye H01R 13/6658
439/69
9,190,783 B2 * 11/2015 Chang H01R 12/7052
D775,083 S * 12/2016 Tada D13/147
D780,696 S * 3/2017 Sato D13/147
D783,539 S * 4/2017 Yokoyama D13/147
9,954,319 B2 * 4/2018 Zhao H01R 13/6591
9,960,523 B2 * 5/2018 Kobayashi H01R 13/521
2009/0203261 A1 * 8/2009 Ikegami H01R 12/592
439/628
2017/0117663 A1 * 4/2017 Kato H01R 13/6275
2017/0170608 A1 * 6/2017 Zhao H01R 13/6581
2017/0222374 A1 * 8/2017 Saito H01R 13/6596
2017/0229810 A1 * 8/2017 Zhang H01R 13/6273

* cited by examiner

FIG.1

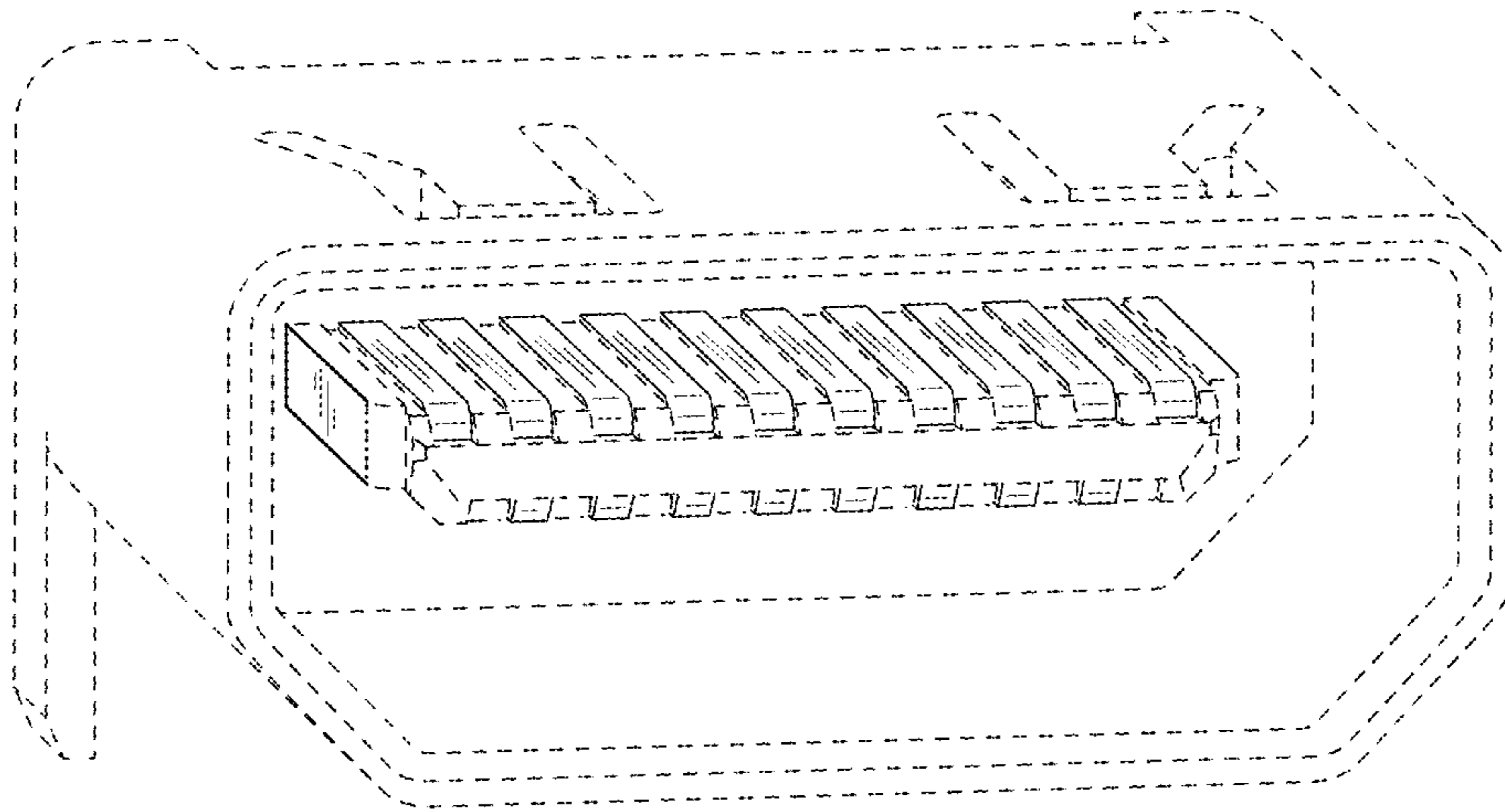


FIG.2

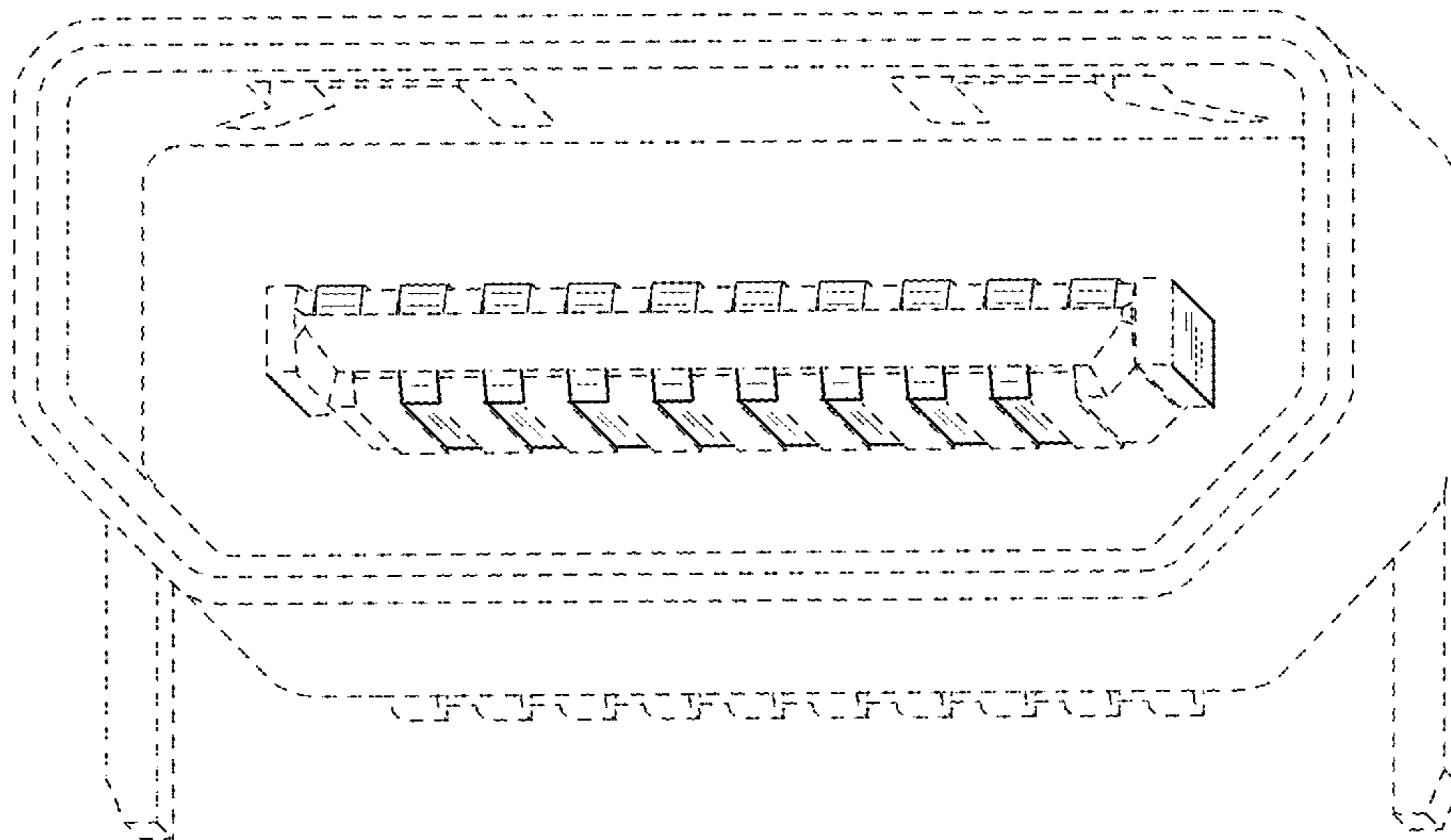


FIG.3

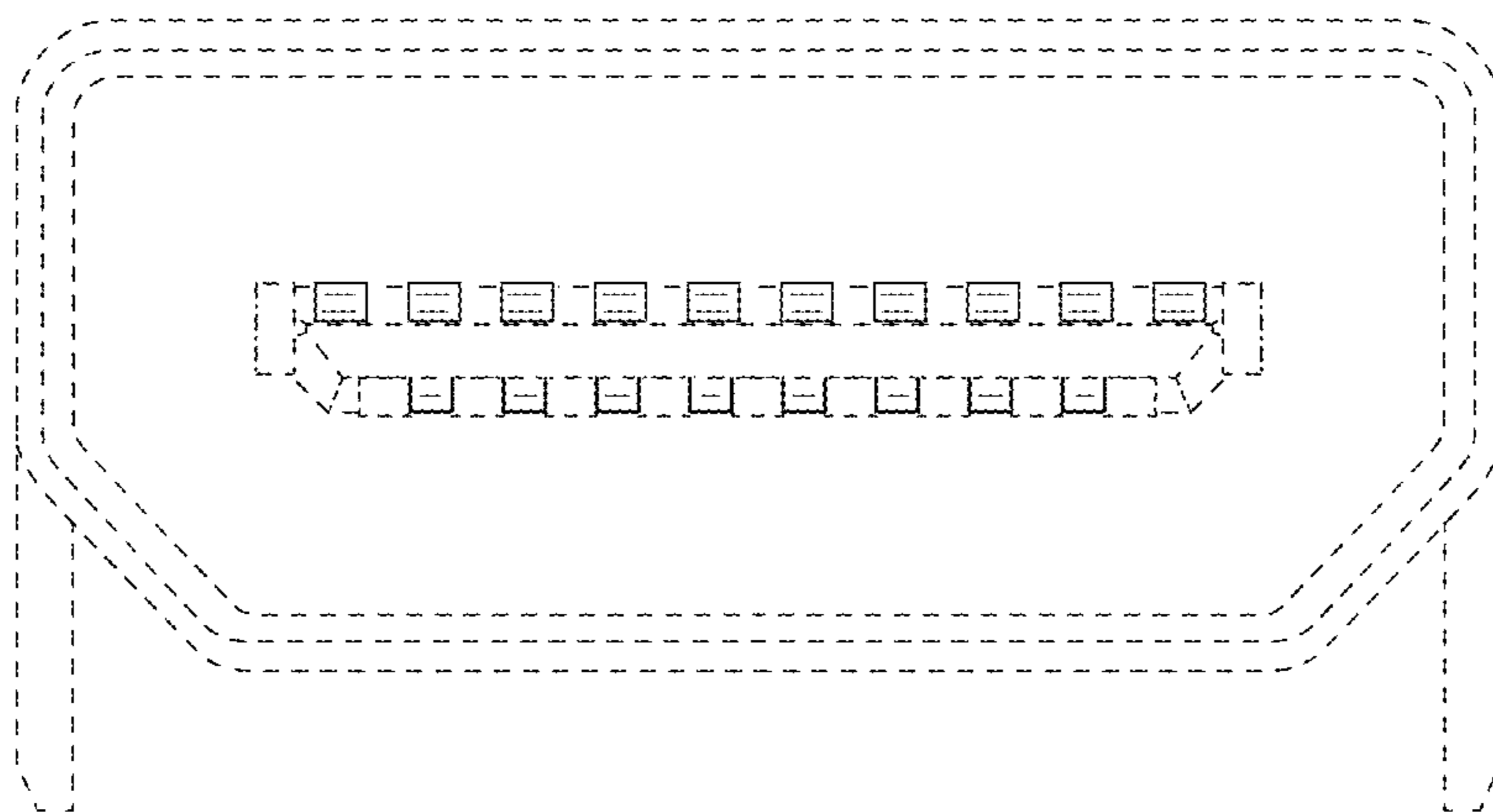


FIG.4

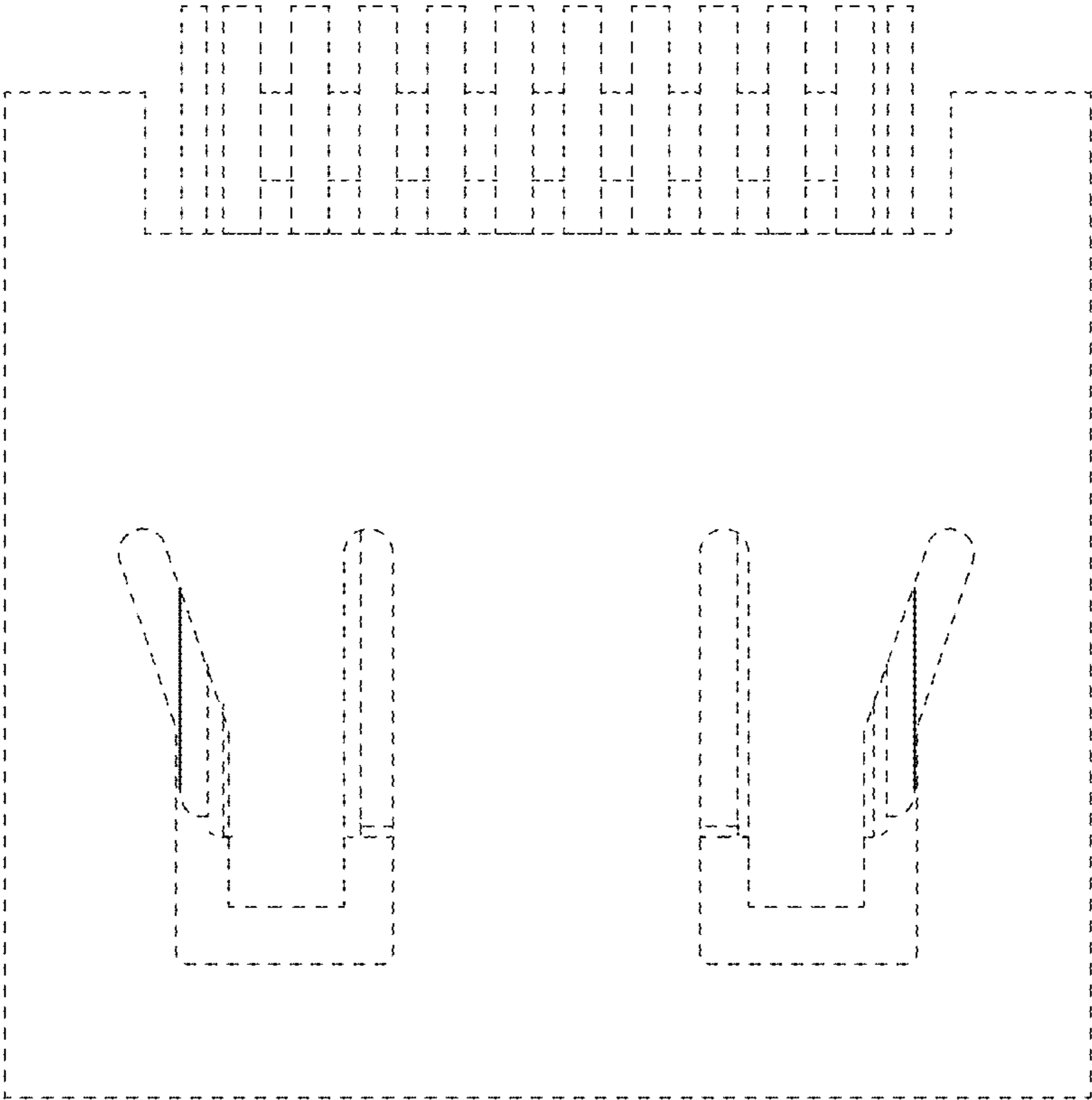


FIG.5

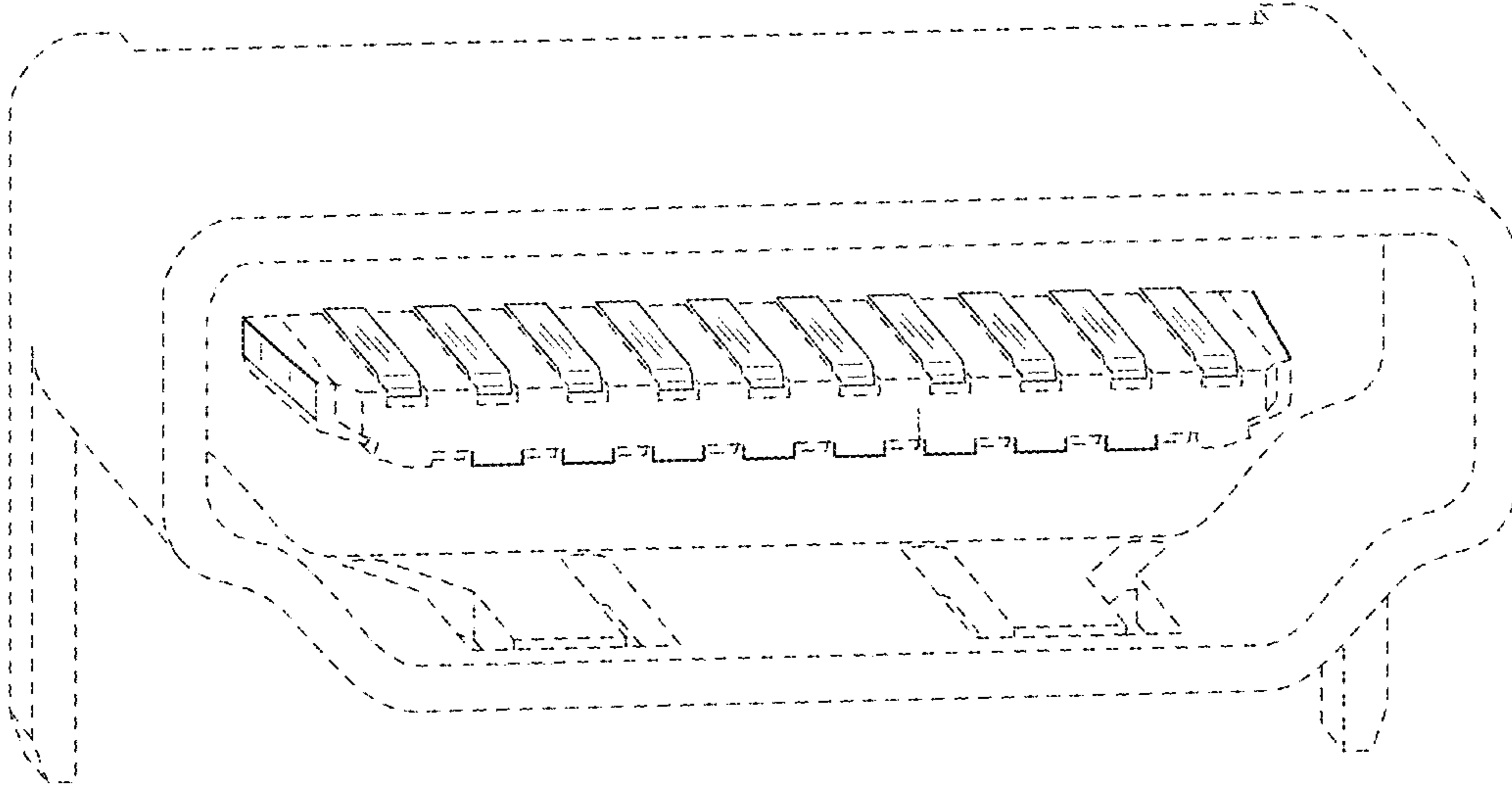


FIG.6

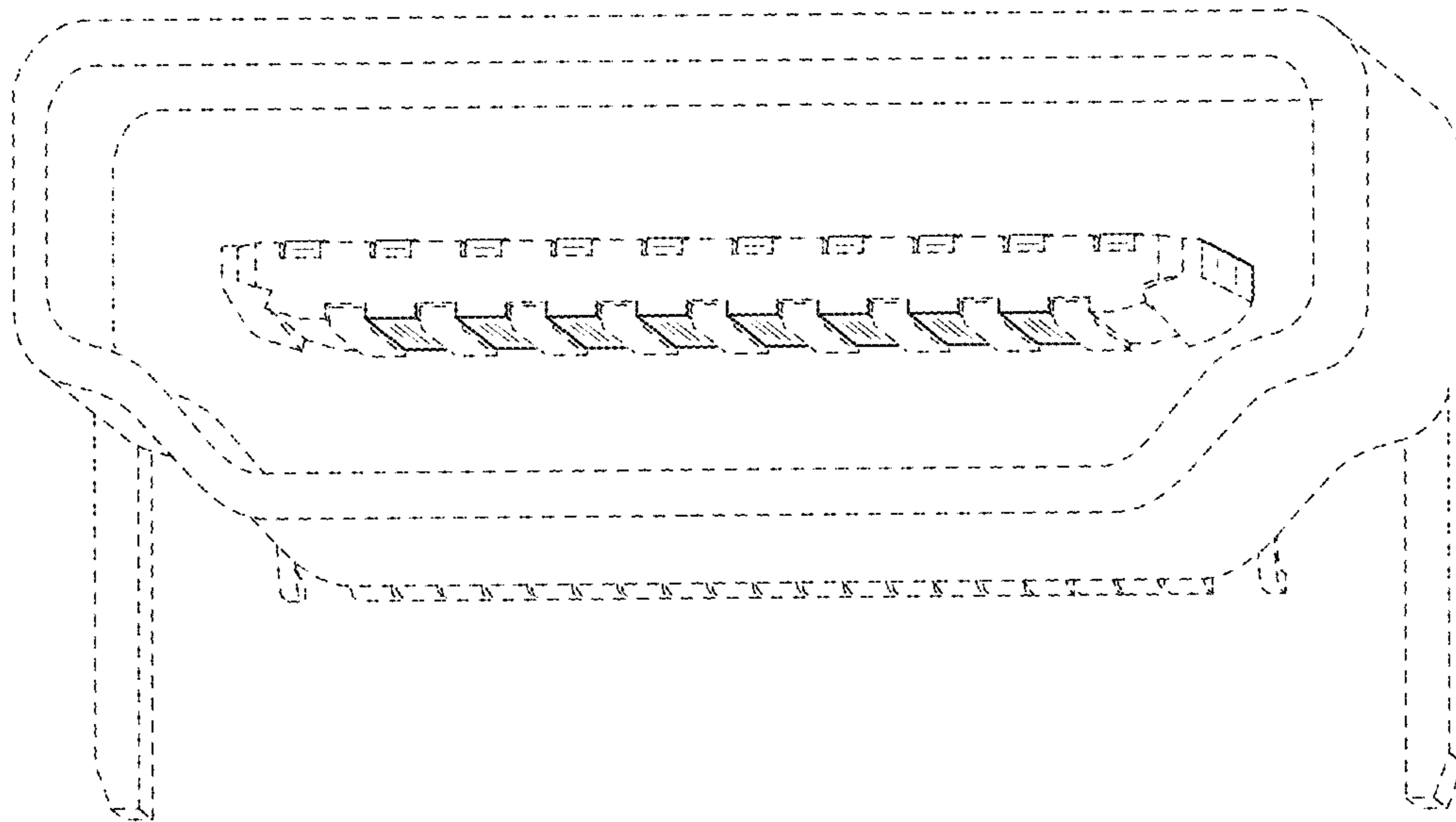


FIG.7

