



US00D839200S

(12) **United States Design Patent** (10) **Patent No.:** **US D839,200 S**
Lee (45) **Date of Patent:** **** Jan. 29, 2019**

(54) **COMBINED POWER AND DATA COMPONENT MOUNTED ON A MOVABLE CARRIAGE AND COVER**

D707,178 S * 6/2014 Byrne D13/139.4
D709,031 S * 7/2014 Byrne D13/139.4
D709,832 S * 7/2014 Byrne D13/139.4
D715,740 S * 10/2014 Byrne D13/139.4
2012/0014097 A1* 1/2012 Byrne F21S 8/02
362/235

(71) Applicant: **Yuyi Lee**, La Palma, CA (US)

(Continued)

(72) Inventor: **Yuyi Lee**, La Palma, CA (US)

Primary Examiner — Rhea Shields

(**) Term: **14 Years**

(74) *Attorney, Agent, or Firm* — John D. Tran; Rhema Law Group

(21) Appl. No.: **29/523,605**

(22) Filed: **Apr. 11, 2015**

(57) **CLAIM**

(51) **LOC (11) Cl.** **13-03**

The ornamental design for combined power and data component mounted on a movable carriage and cover, as shown and described.

(52) **U.S. Cl.**

USPC **D13/139.4**

DESCRIPTION

(58) **Field of Classification Search**

USPC ... D13/139.1–139.8, 138.1–138.2, 133, 146, D13/147, 110, 137.1–137.4, 156; D8/356; 174/55; 362/235; 361/627, 641
CPC H01R 13/518; H01R 13/447; H01R 13/73; F21S 8/02; G04G 15/006

See application file for complete search history.

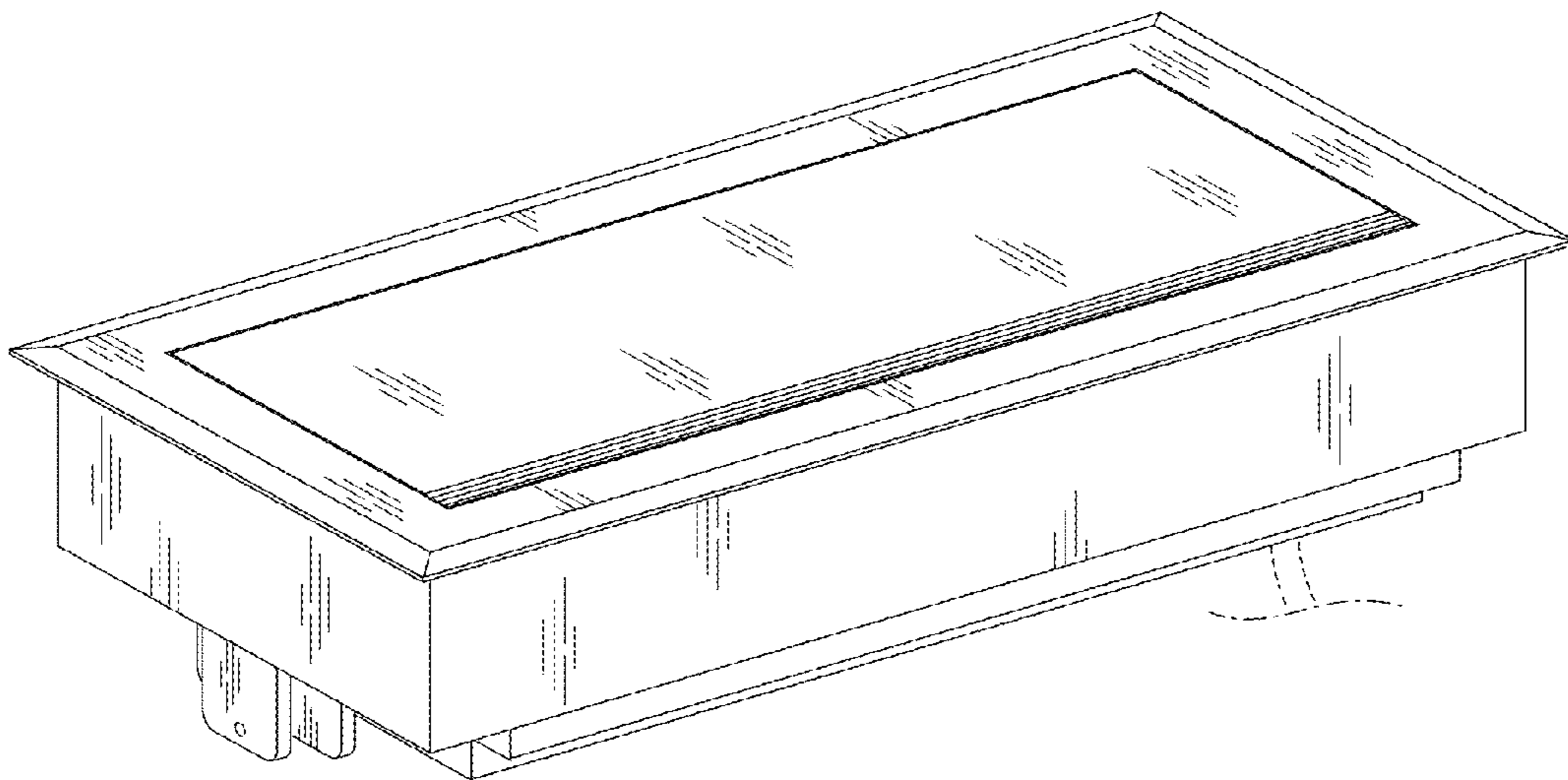
FIG. 1 is a perspective view of the combined power and data component mounted on a movable carriage and cover in a closed configuration, and showing my new design;
FIG. 2 is a left side view thereof;
FIG. 3 is a right side view thereof;
FIG. 4 is a front view thereof;
FIG. 5 is a back view thereof;
FIG. 6 is a top plan view thereof; and,
FIG. 7 is a bottom plan view thereof.
FIG. 8 is a perspective view of the combined power and data component mounted on a movable carriage and cover in an open configuration, and showing my new design;
FIG. 9 is a left side view thereof;
FIG. 10 is a right side view thereof;
FIG. 11 is a front view thereof;
FIG. 12 is a back view thereof;
FIG. 13 is a top plan view thereof; and,
FIG. 14 is a bottom plan view thereof.
In the drawings, the broken lines are for the purpose of illustrating environment only and form no part of the claimed design.

(56) **References Cited**

U.S. PATENT DOCUMENTS

D405,051 S * 2/1999 Byrne D13/139.4
D406,103 S * 2/1999 Byrne D13/139.4
D406,748 S * 3/1999 Byrne D8/356
D412,698 S * 8/1999 Byrne D13/139.4
6,028,267 A * 2/2000 Byrne H01R 13/518
174/55
D467,230 S * 12/2002 Byrne D13/156
D468,701 S * 1/2003 Byrne D13/156
D622,219 S * 8/2010 Byrne D13/147
D626,069 S * 10/2010 Byrne D13/139.4
D626,070 S * 10/2010 Byrne D13/139.4
D639,244 S * 6/2011 Byrne D13/139.4
D649,514 S * 11/2011 Byrne D13/139.4
D665,355 S * 8/2012 Byrne D13/139.4
D682,213 S * 5/2013 Byrne D13/139.4
D685,329 S * 7/2013 Byrne D13/139.4

1 Claim, 6 Drawing Sheets



(56)

References Cited

U.S. PATENT DOCUMENTS

2012/0127637 A1* 5/2012 Byrne G04G 15/006
361/627
2012/0200989 A1* 8/2012 Byrne H01R 13/447
361/641
2017/0264120 A1* 9/2017 Byrne H01R 13/73

* cited by examiner

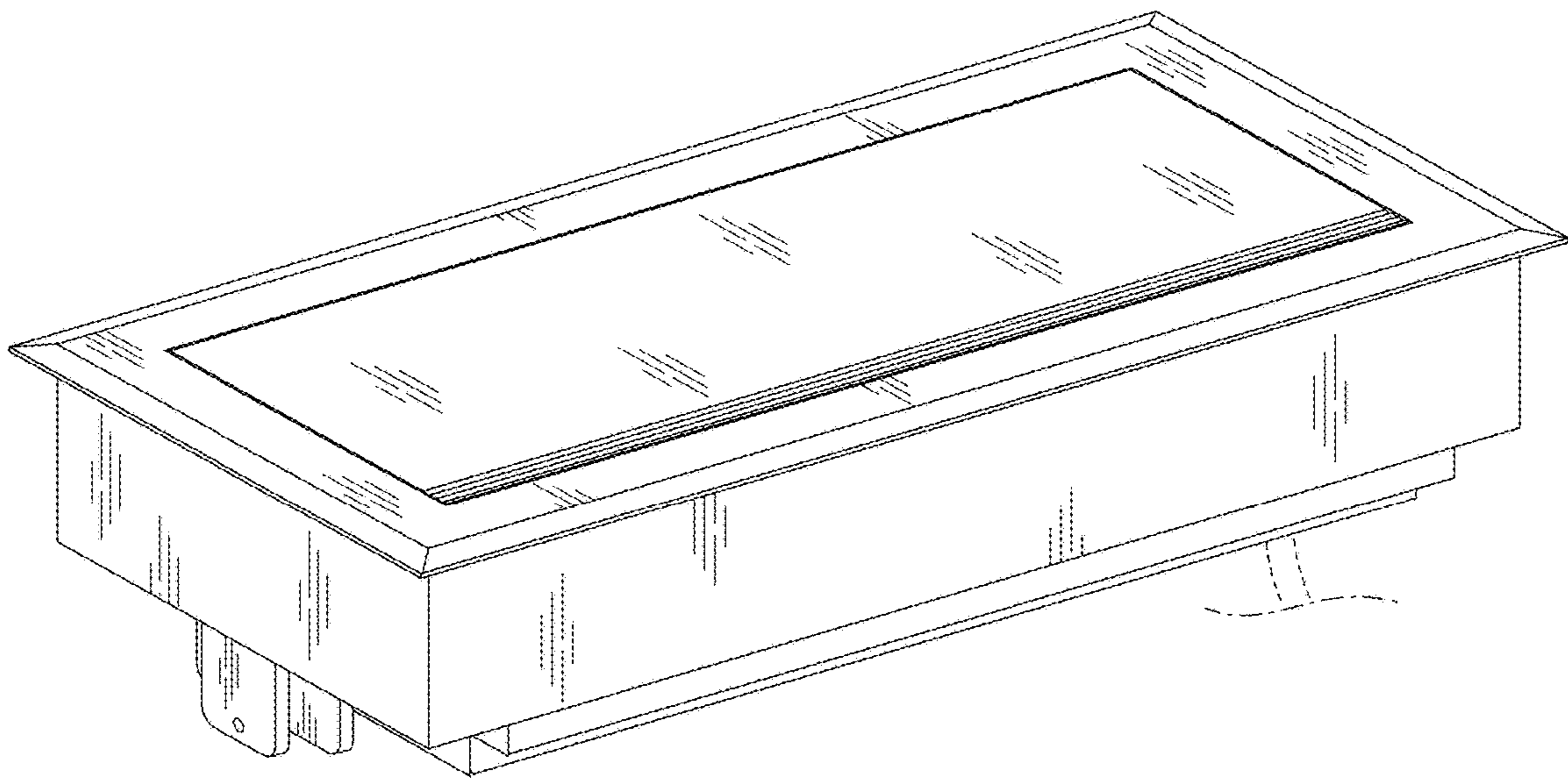


Fig. 1

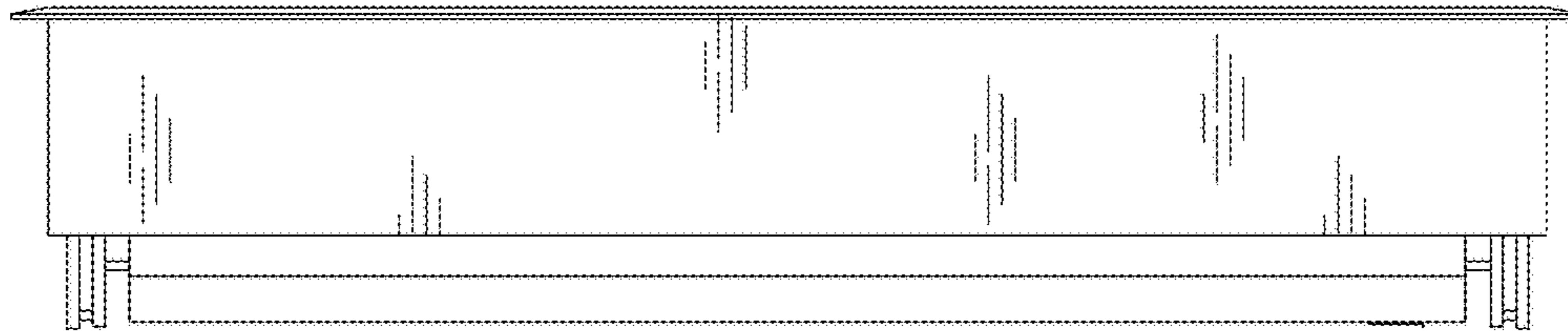


Fig. 2

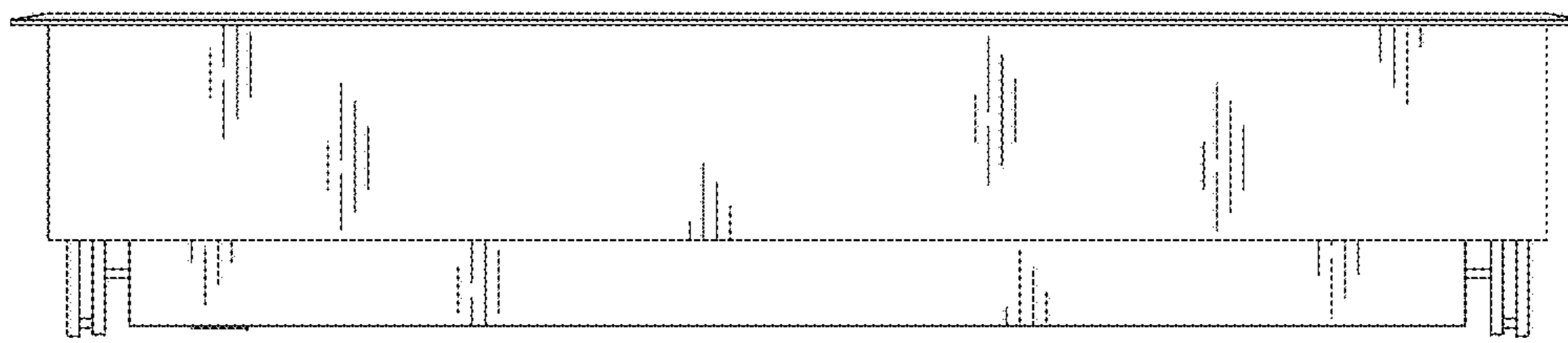


Fig. 3

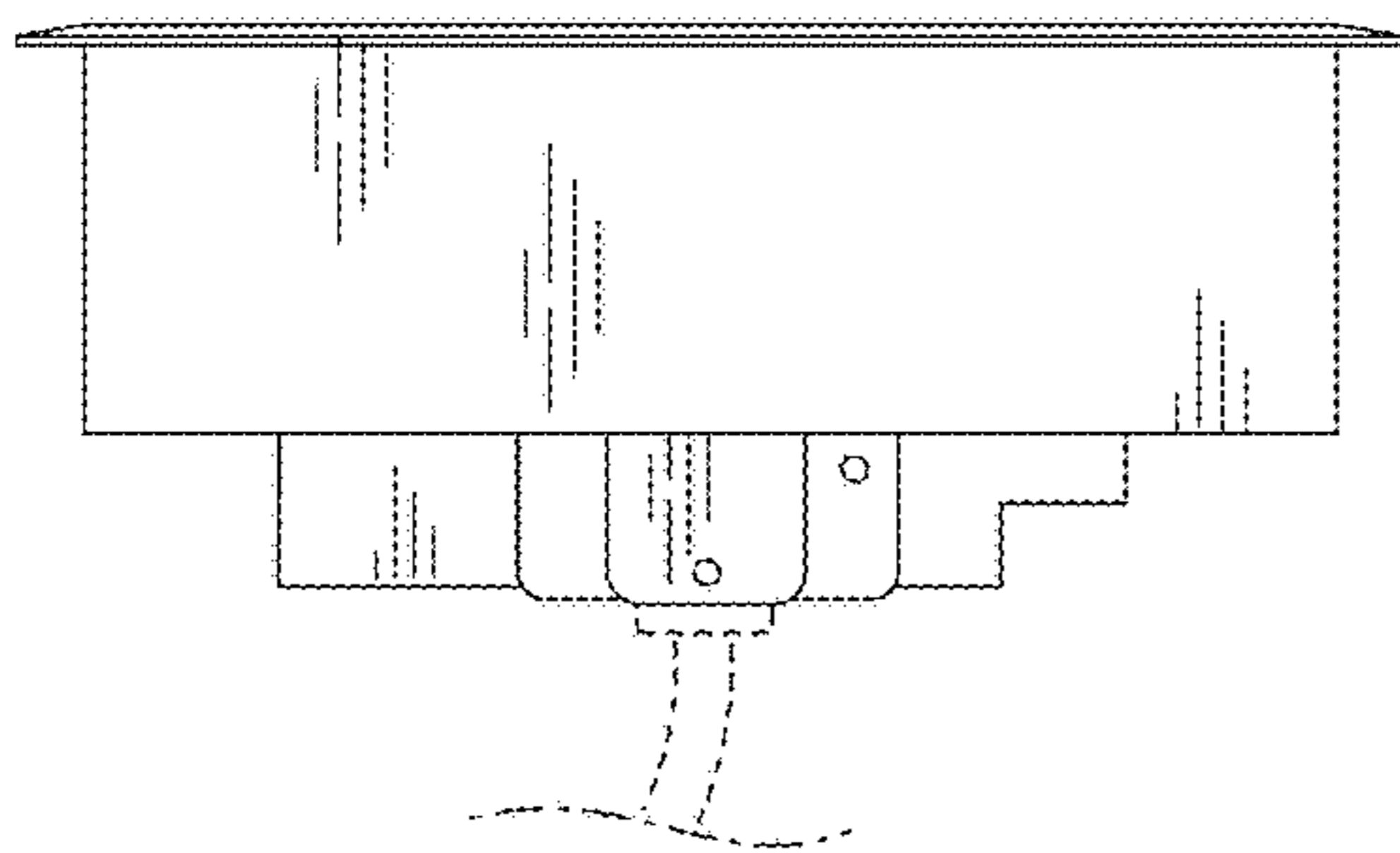


Fig. 4

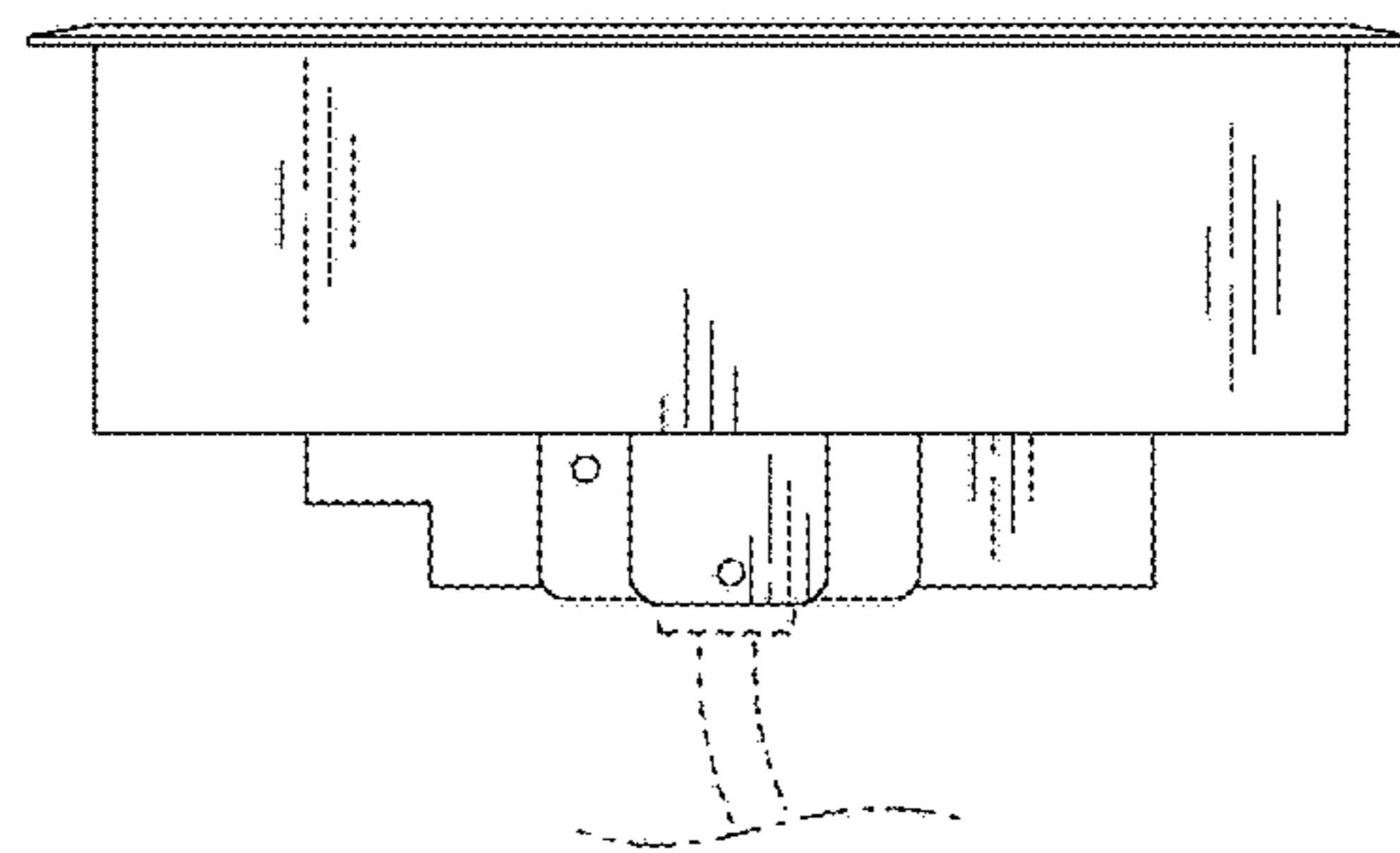


Fig. 5

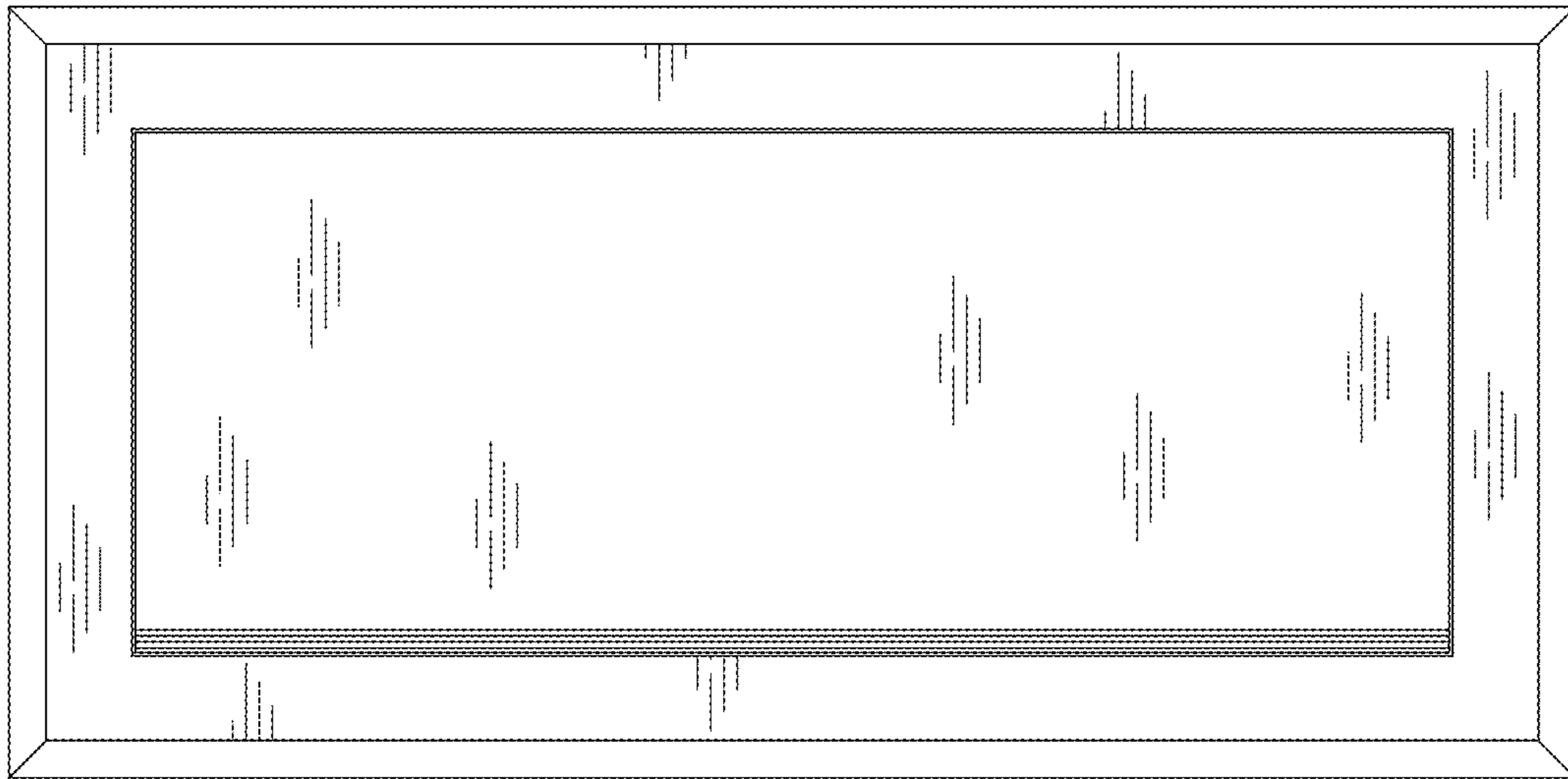


Fig. 6

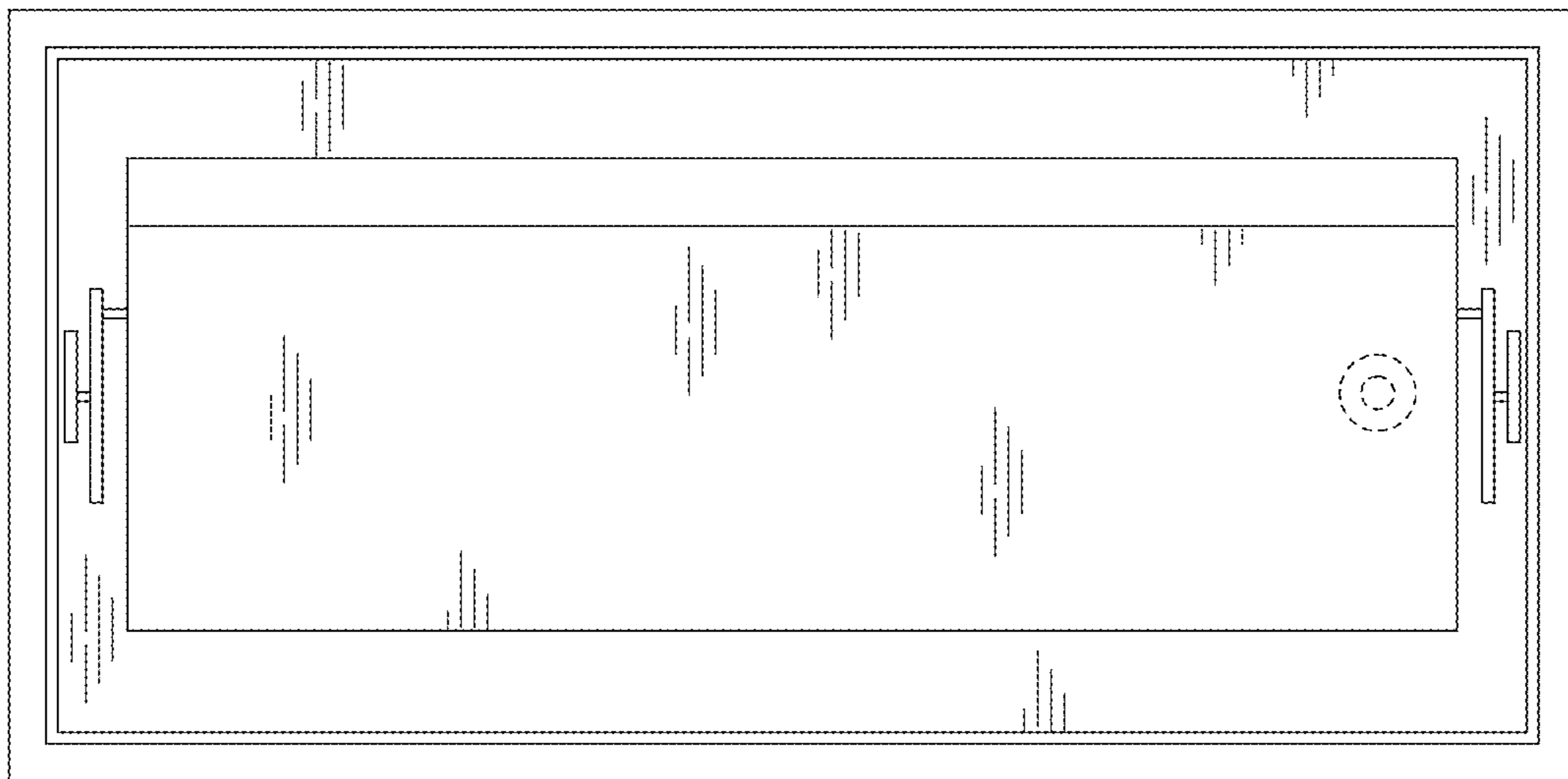


Fig. 7

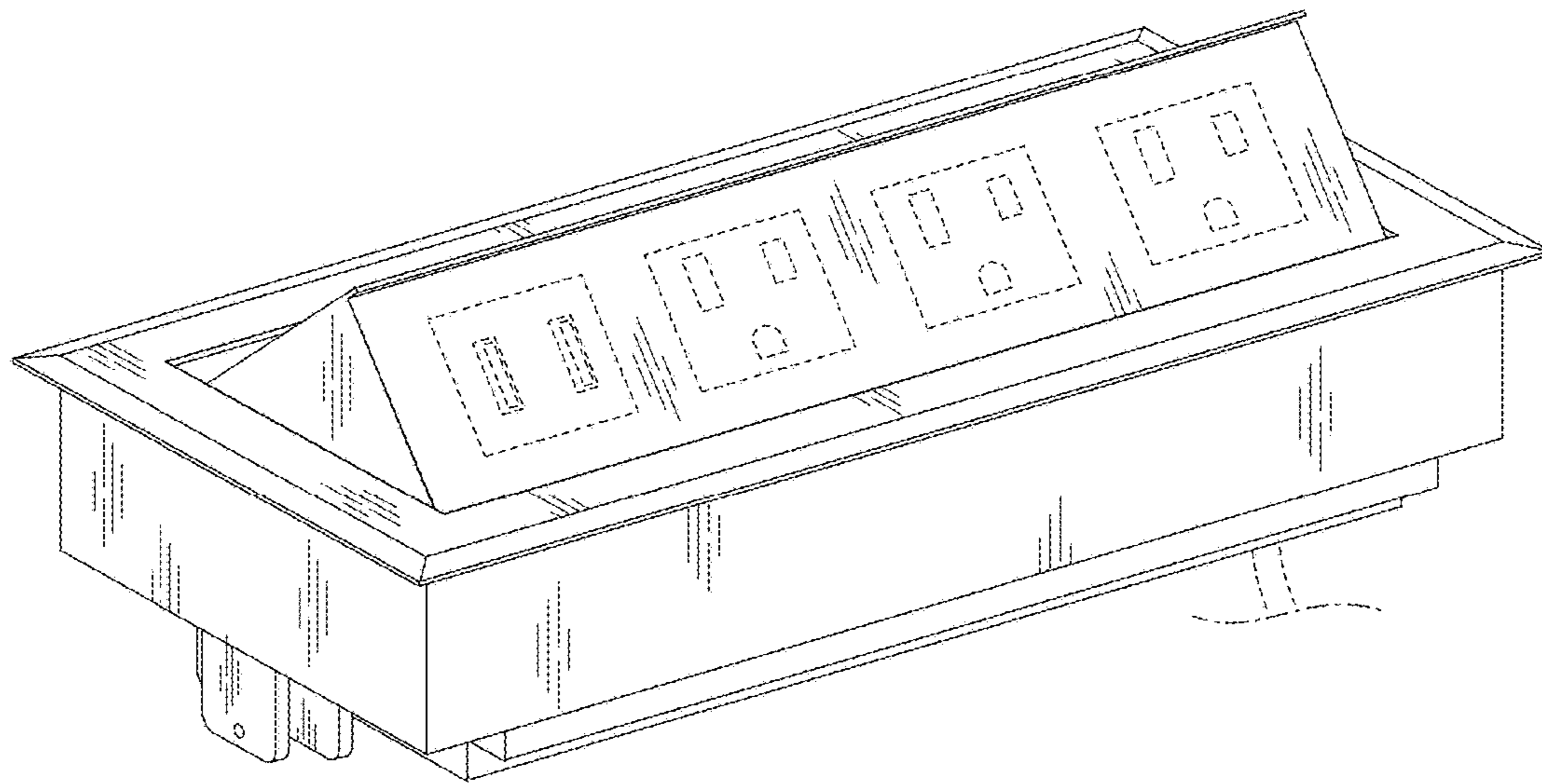


Fig. 8

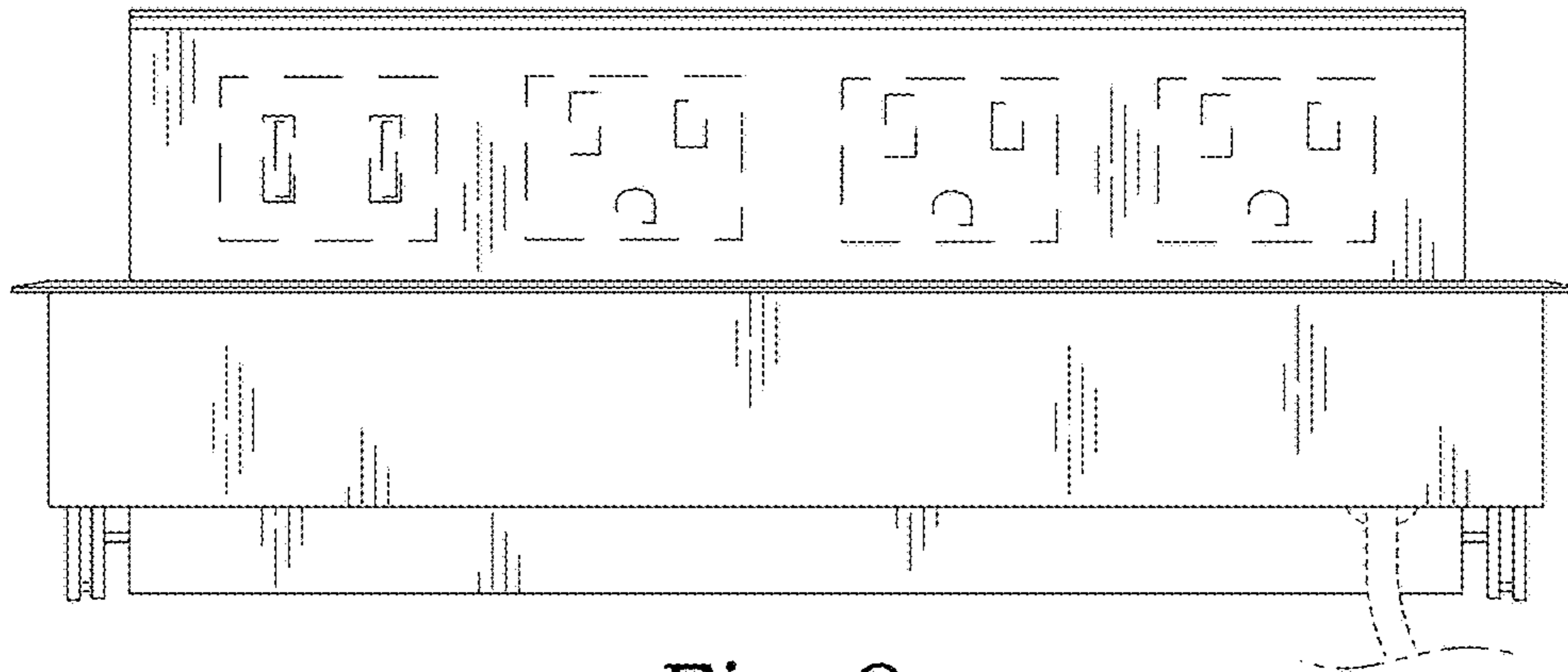


Fig. 9

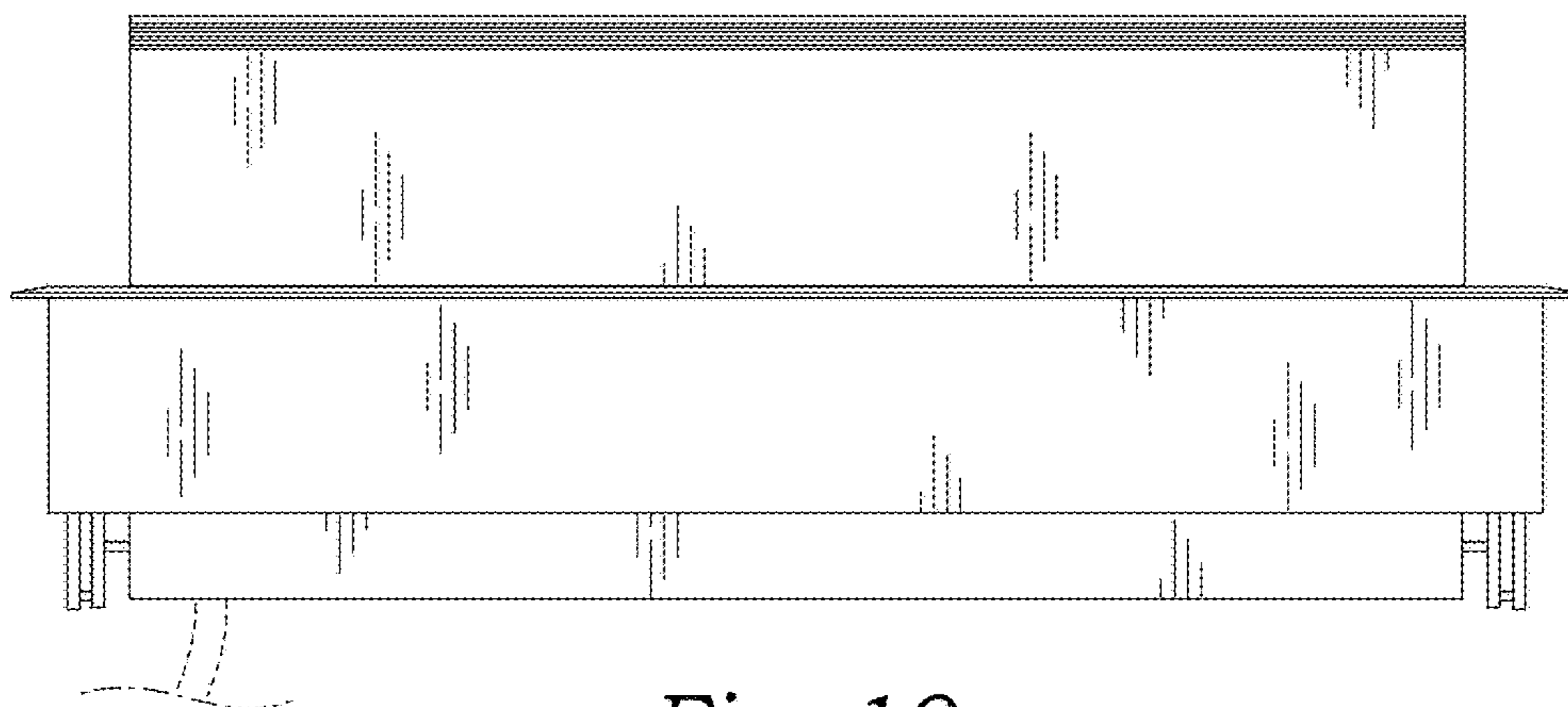


Fig. 10

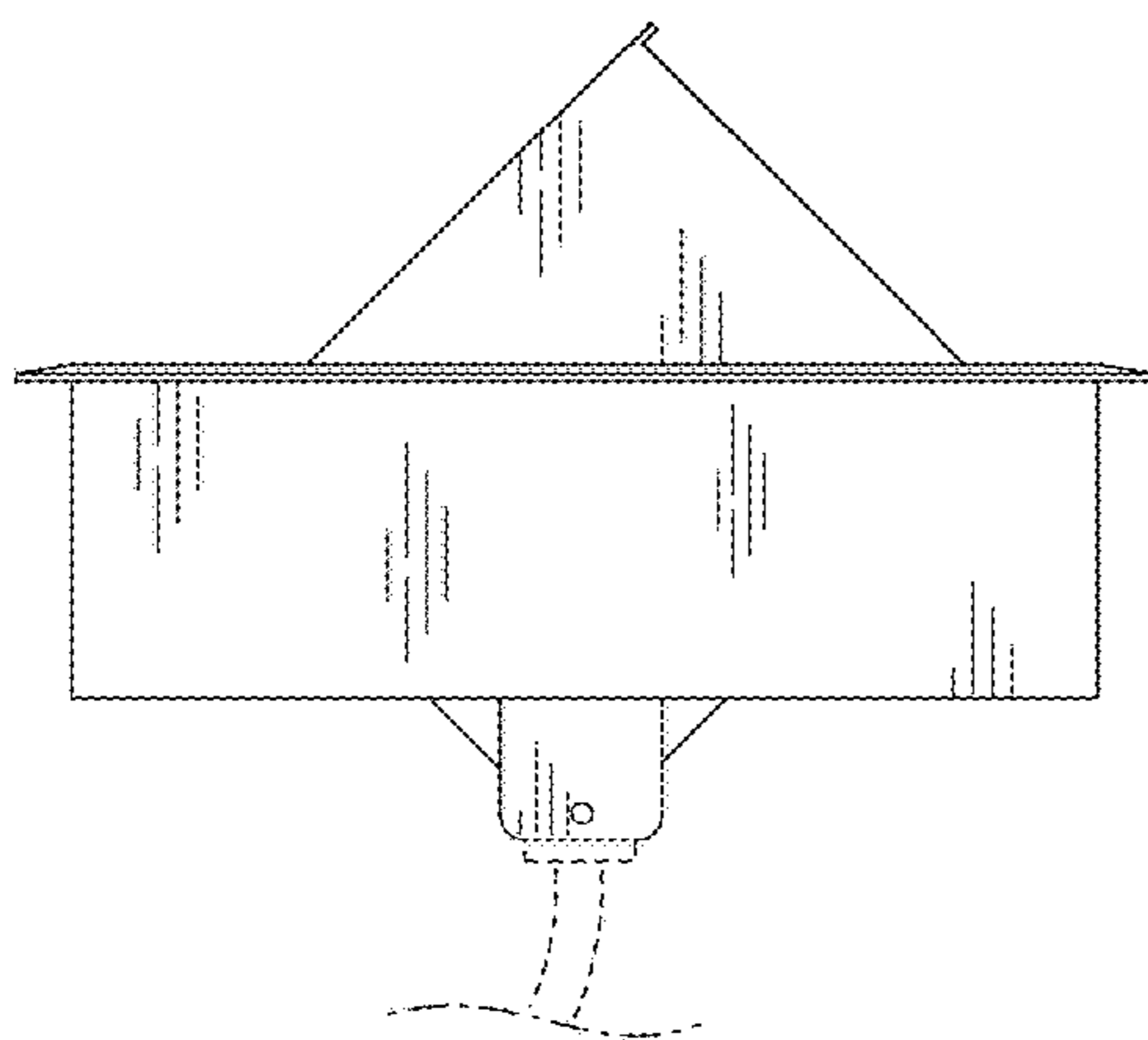


Fig. 11

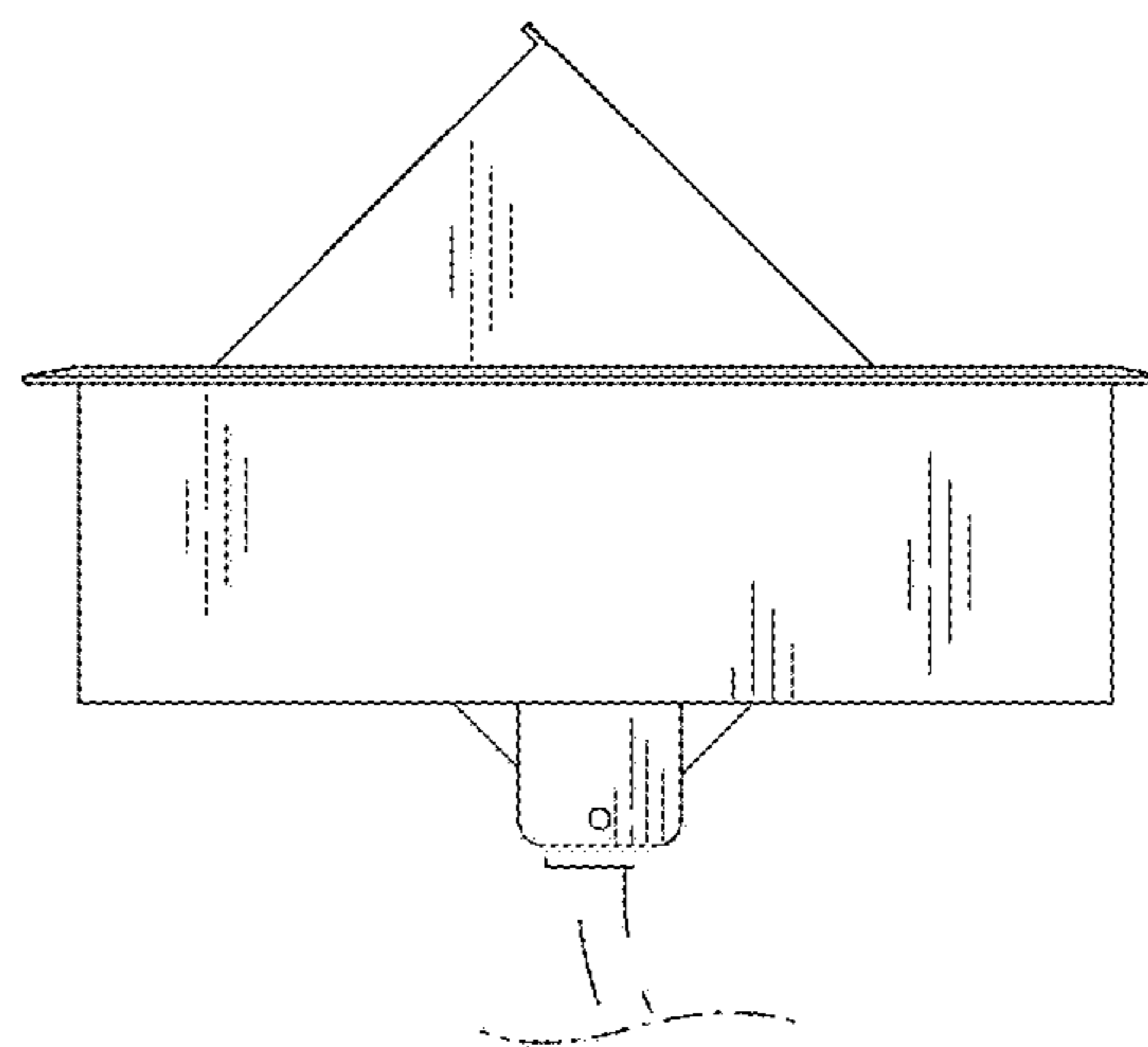


Fig. 12

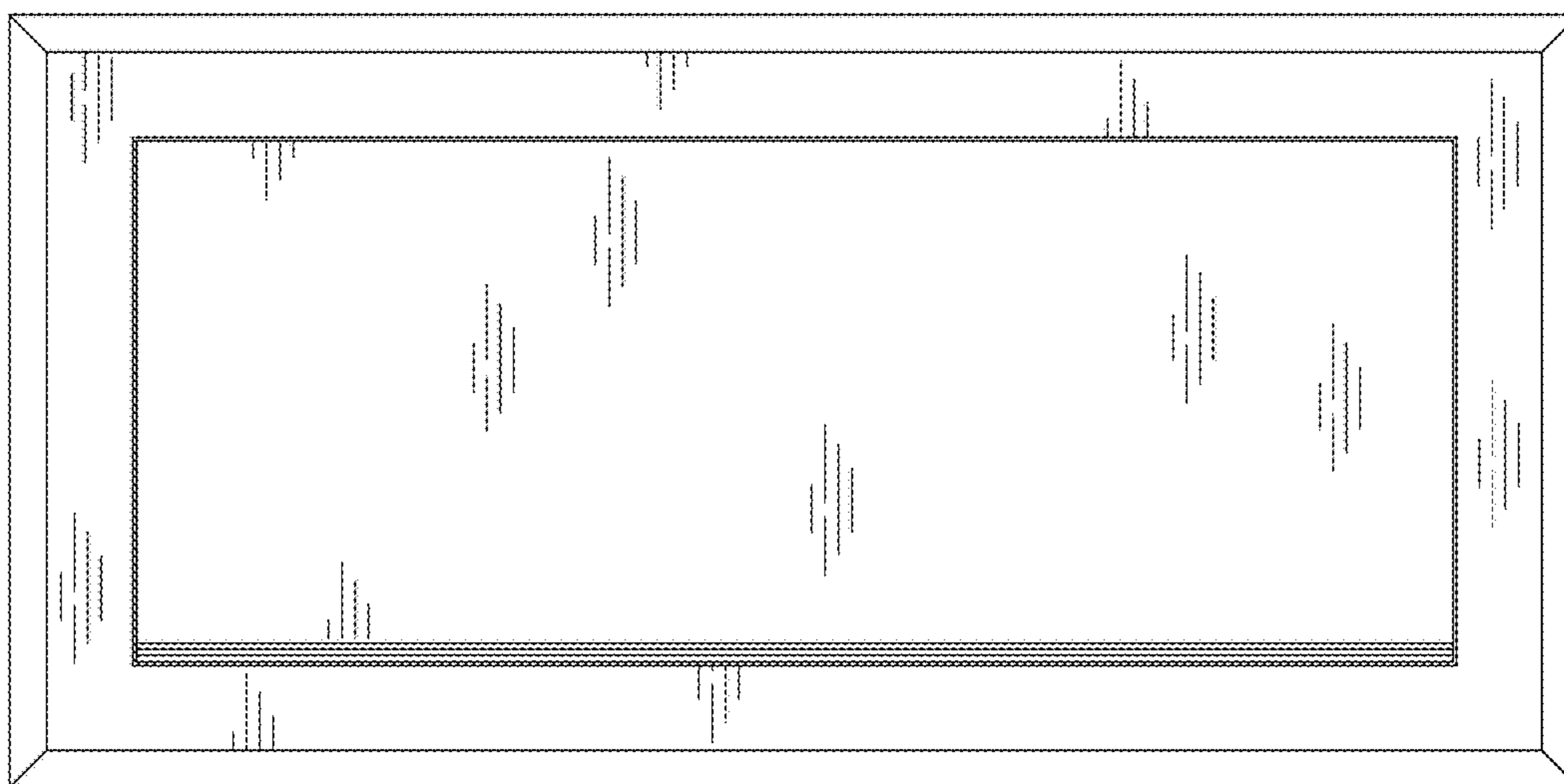


Fig. 13

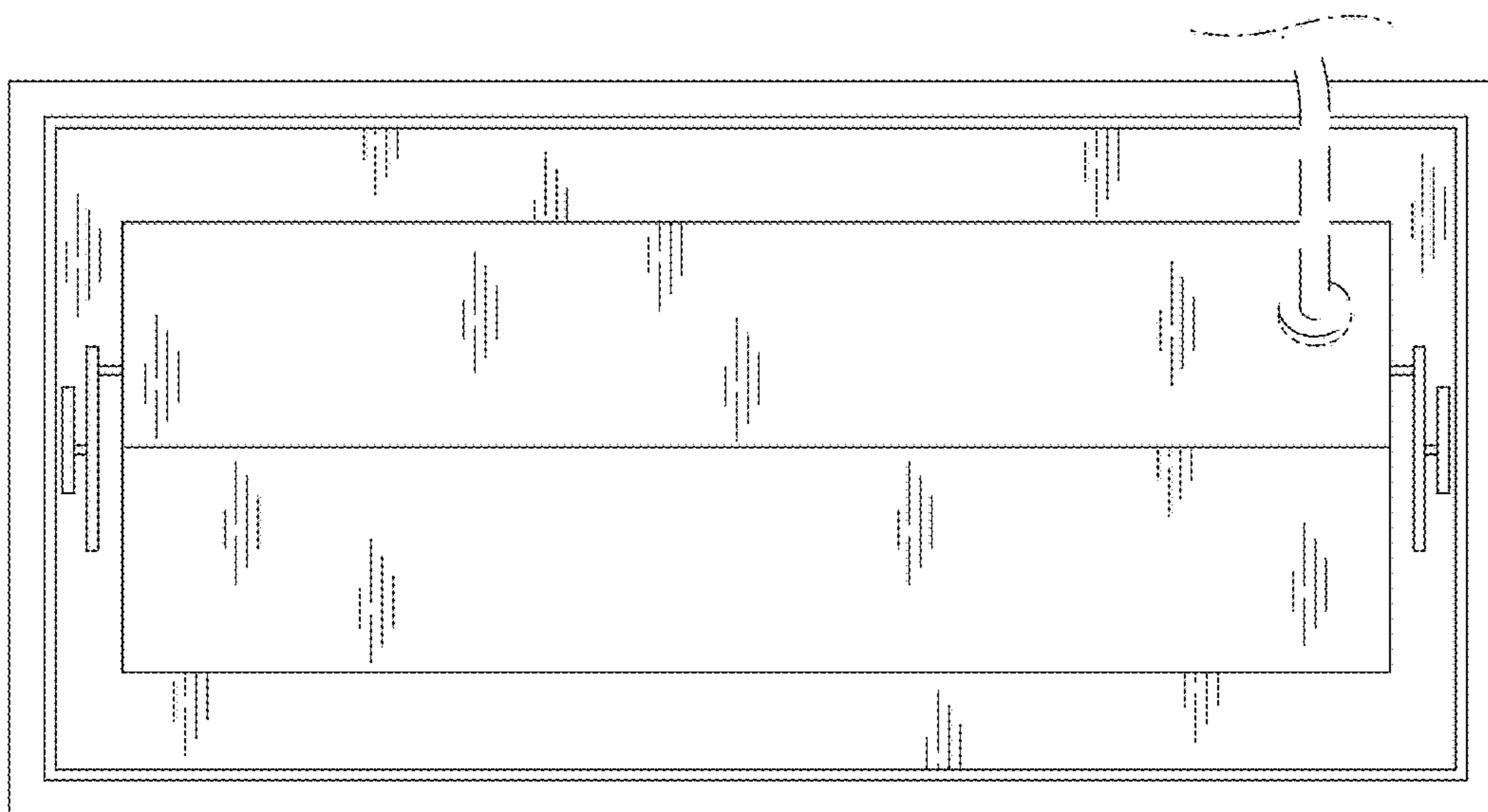


Fig. 14