



US00D839199S

(12) **United States Design Patent**
Arora

(10) **Patent No.:** **US D839,199 S**
(45) **Date of Patent:** **** Jan. 29, 2019**

(54) **ELECTRICAL SOCKET**

(71) Applicant: **Rishabh Arora**, Ashburn, VA (US)

(72) Inventor: **Rishabh Arora**, Ashburn, VA (US)

(73) Assignee: **Rishabh Arora**, Delhi (IN)

(**) Term: **15 Years**

(21) Appl. No.: **29/566,042**

(22) Filed: **May 26, 2016**

(51) **LOC (11) Cl.** **13-03**

(52) **U.S. Cl.**
USPC **D13/139.3**

(58) **Field of Classification Search**
USPC D13/108, 110, 123, 133, 137.1–137.4,
D13/138.1–138.2, 139.1–139.8, 152–154,
D13/146, 147, 156, 158; D14/433;
D8/350–353

CPC H01R 11/00; H01R 9/00; H01R 25/00;
H01R 25/006; H01R 13/11; H01R 24/76
See application file for complete search history.

(56) **References Cited**

U.S. PATENT DOCUMENTS

3,732,524 A	5/1973	Reed et al.	
4,240,686 A	12/1980	Kurbikoff	
D354,943 S	1/1995	Williams et al.	
D405,761 S *	2/1999	Yu	D13/139.3
D427,887 S *	7/2000	Leopold	D13/154
D430,539 S *	9/2000	Leopold	D13/139.3
6,113,434 A *	9/2000	Pate	H01R 25/003 439/107
D486,792 S *	2/2004	Stoughton	D13/137.2
D505,856 S	6/2005	Kim et al.	
D512,021 S	11/2005	Fort et al.	
D558,676 S *	1/2008	Fort	D13/139.3
D573,950 S *	7/2008	Schwartz	D13/139.1
D585,834 S	2/2009	Mason	

7,510,412 B1	3/2009	Valentin	
D633,868 S *	3/2011	Cullen	D13/137.2
D662,885 S	7/2012	Hoffman et al.	
D663,691 S	7/2012	Magee, Jr.	
D693,769 S *	11/2013	Picard	D13/137.1

(Continued)

OTHER PUBLICATIONS

Apartmenttherapy.com: How To: Update a Wall Outlet to USB Functionality. Published Feb. 3, 2012. Retrieved from the internet at <<https://www.apartmenttherapy.com/how-to-give-your-wall-outlet-a-usb-upgrade-165394>>, Feb. 24, 2018. 2 pages.*

(Continued)

Primary Examiner — Rosemary K Tarcza
Assistant Examiner — Christy M Nemeth

(57) **CLAIM**

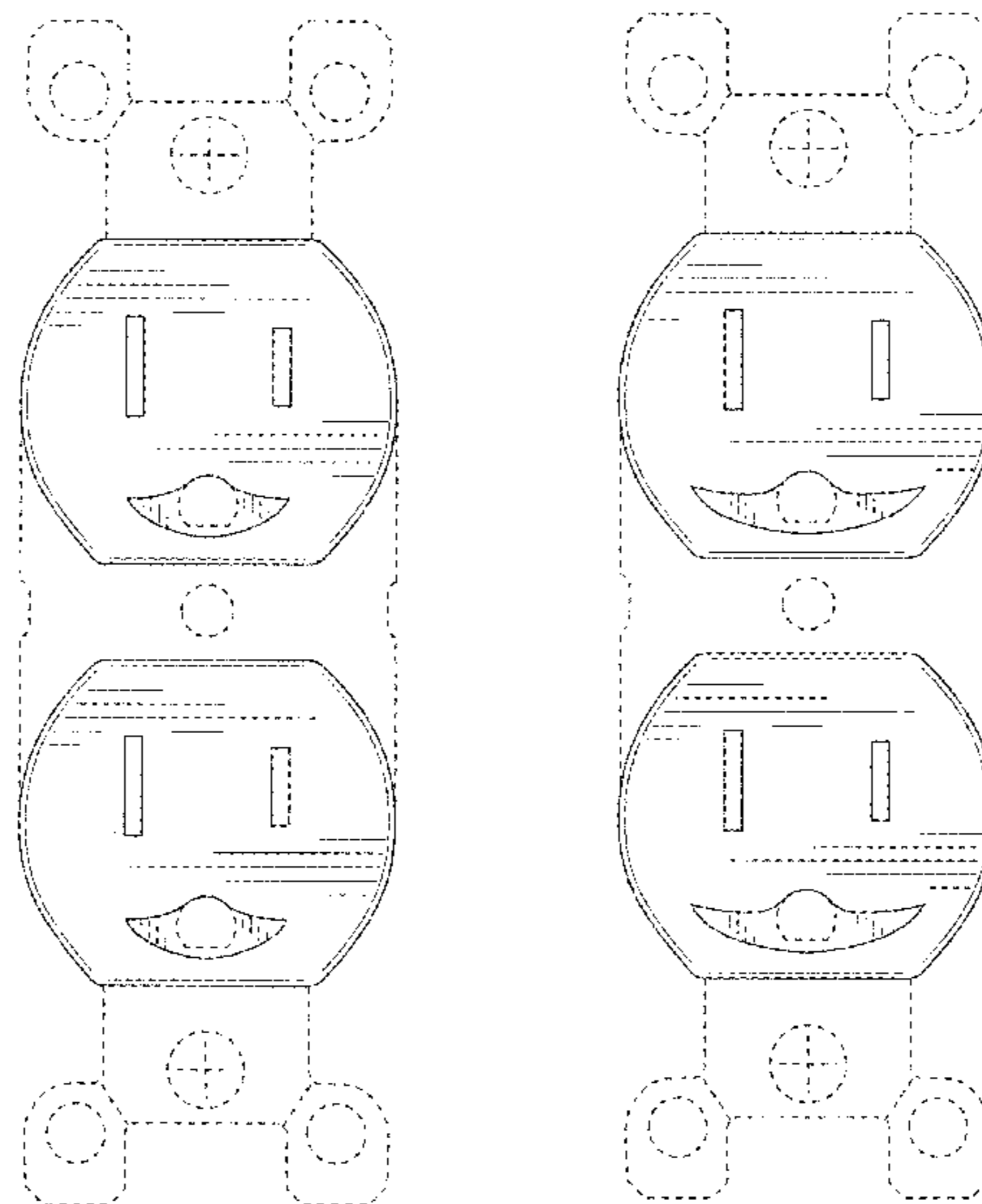
The ornamental design for an electrical socket, as shown and described.

DESCRIPTION

FIG. 1 is a perspective view of an electrical socket of my design according to a first embodiment;
FIG. 2 is a front elevation view thereof;
FIG. 3 is a top plan view thereof, the bottom plan view being a mirror image;
FIG. 4 is a side view thereof, the opposite side view being a mirror image;
FIG. 5 is a perspective view of an electrical socket of my design according to a second embodiment;
FIG. 6 is a front elevation view thereof;
FIG. 7 is a top plan view thereof, the bottom plan view being a mirror image; and,
FIG. 8 is a side view thereof, the opposite side view being a mirror image.

The broken lines in the drawings are for the purpose of illustrating portions of the electrical socket that form no part of the claimed design.

1 Claim, 8 Drawing Sheets



(56)

References Cited

U.S. PATENT DOCUMENTS

D696,198 S * 12/2013 Roy D13/139.1
 D709,831 S * 7/2014 Picard D13/137.1
 D719,096 S * 12/2014 DeCosta D13/137.2
 D719,512 S * 12/2014 Roy D13/139.6
 D721,043 S 1/2015 Tonnesen
 D721,336 S 1/2015 Tonnesen
 D730,834 S 6/2015 Byrne et al.
 D744,952 S * 12/2015 Ni D13/139.3
 D745,371 S 12/2015 Trojanowski
 D799,934 S 10/2017 Poulheim et al.
 D800,662 S * 10/2017 Wu D13/137.1
 D803,568 S 11/2017 Trojanowski
 D804,429 S 12/2017 Baldwin et al.
 D805,481 S * 12/2017 Zhuang D13/139.3
 9,899,814 B2 2/2018 Smith et al.
 2003/0236010 A1 12/2003 Gorman
 2006/0061440 A1 * 3/2006 Esty H01H 83/02
 335/18
 2006/0094290 A1 5/2006 Pyrros
 2010/0304597 A1 * 12/2010 Ilkhanov H01R 4/5008
 439/346
 2010/0304619 A1 * 12/2010 Joy H01R 4/5008
 439/682
 2012/0068612 A1 3/2012 Ebeling

2012/0170292 A1 * 7/2012 Bhosale H01R 13/6658
 362/415
 2015/0255937 A1 * 9/2015 Loose, Sr. H01R 25/006
 439/535
 2016/0204561 A1 7/2016 Stephens
 2017/0214188 A1 * 7/2017 Smith H01R 13/665
 2018/0048099 A1 2/2018 Diotte

OTHER PUBLICATIONS

UX.Stackexchange.com: North American Electrical Outlet Why So Sad. Published May 24, 2013. Retrieved from the internet at <<https://ux.stackexchange.com/questions/40056/north-american-electrical-outlet-why-so-sad/>>, Feb. 24, 2018. 1 page.*
 Vimeo.com: First Energy: "Outlet" Commerical. Published "7 years ago". Retrieved from the internet at <<https://vimeo.com/16770712>>, Feb. 24, 2018. 1 page.*
 Amazon.com: Rikki Knight Realistic Smiley Electrical Outlet Galaxy S4 Case Cover. Published Aug. 29, 2015. Retrieved from the internet at <<https://www.amazon.com/Rikki-Knight-Realistic-Electrical-Protection/dp/B00V2R2QR0#customerReviews>>, Feb. 24, 2018. 1 page.*
 JPElectric.com: Why Does My Electrical Outlet Feel Hot? Published Mar. 30, 2016. Retrieved from the internet at <<http://jpelectric.com/electrical-outlet-feels-hot/>>, Feb. 1, 2018. 2 pages.*

* cited by examiner

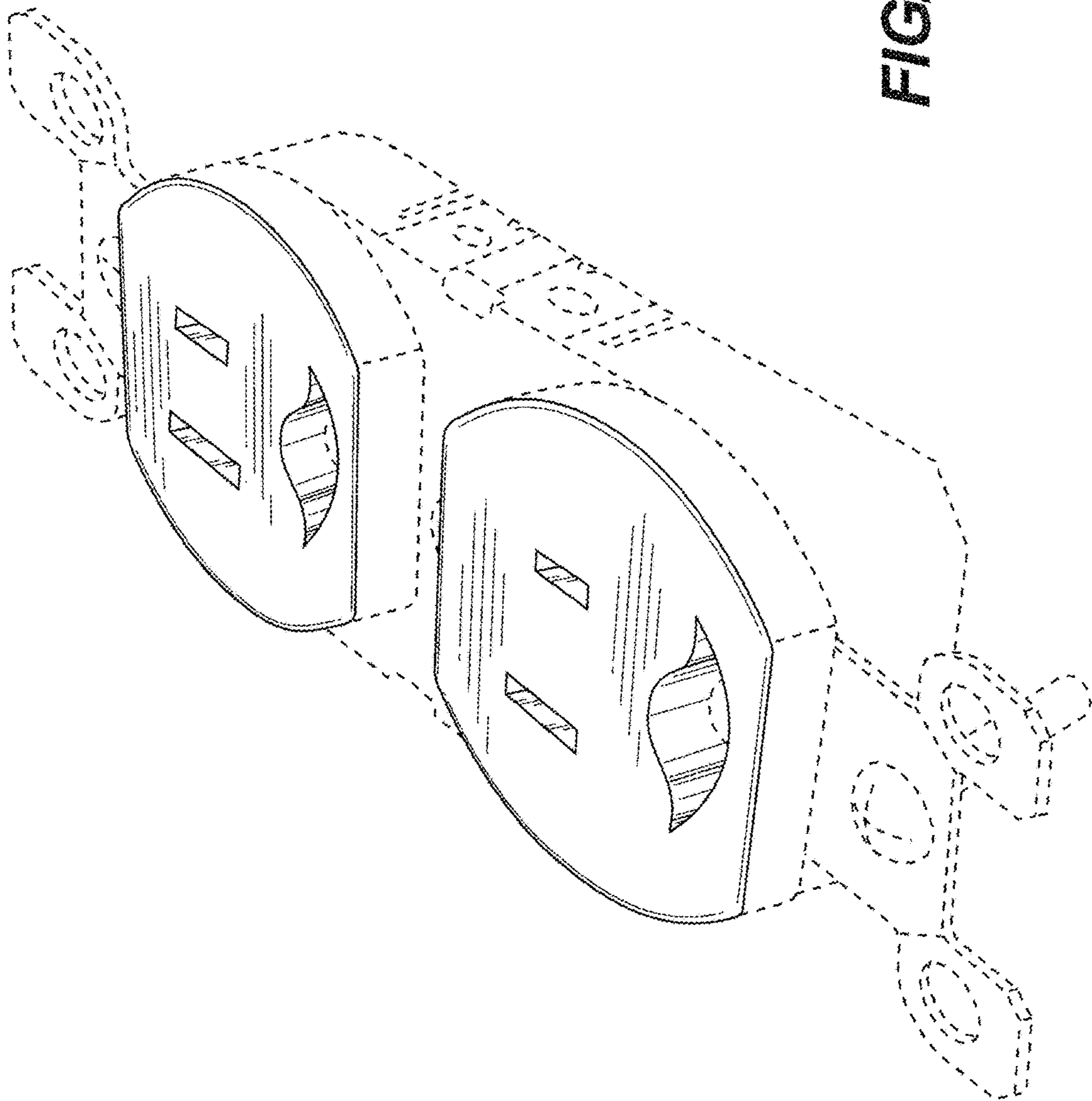


FIG. 1

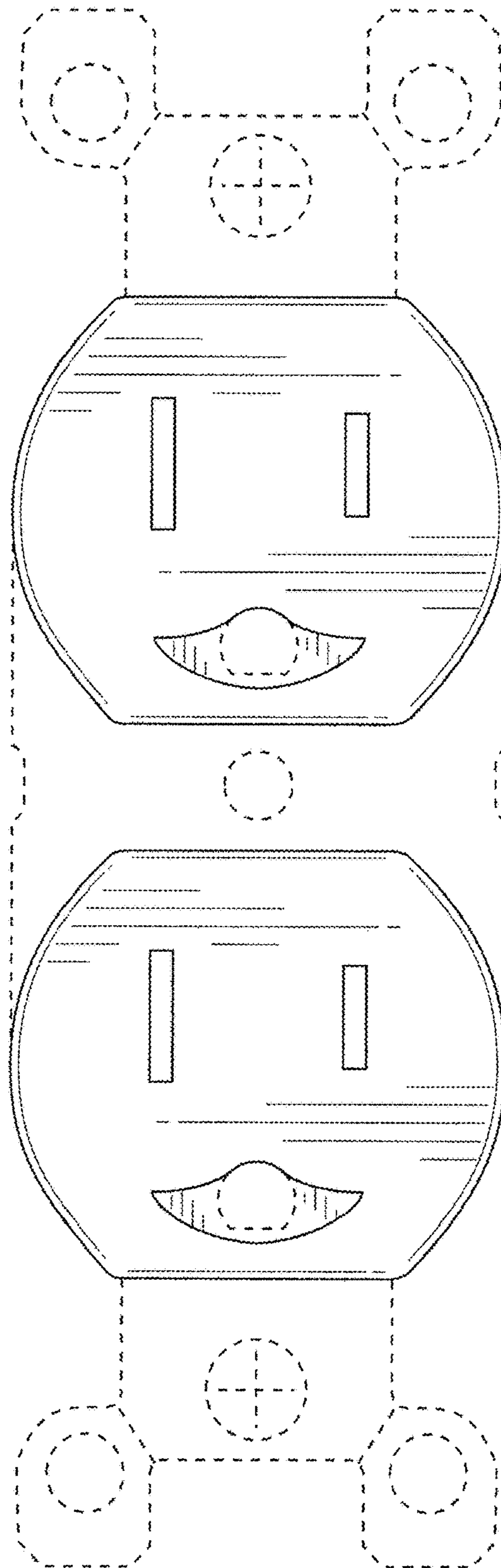


FIG. 2

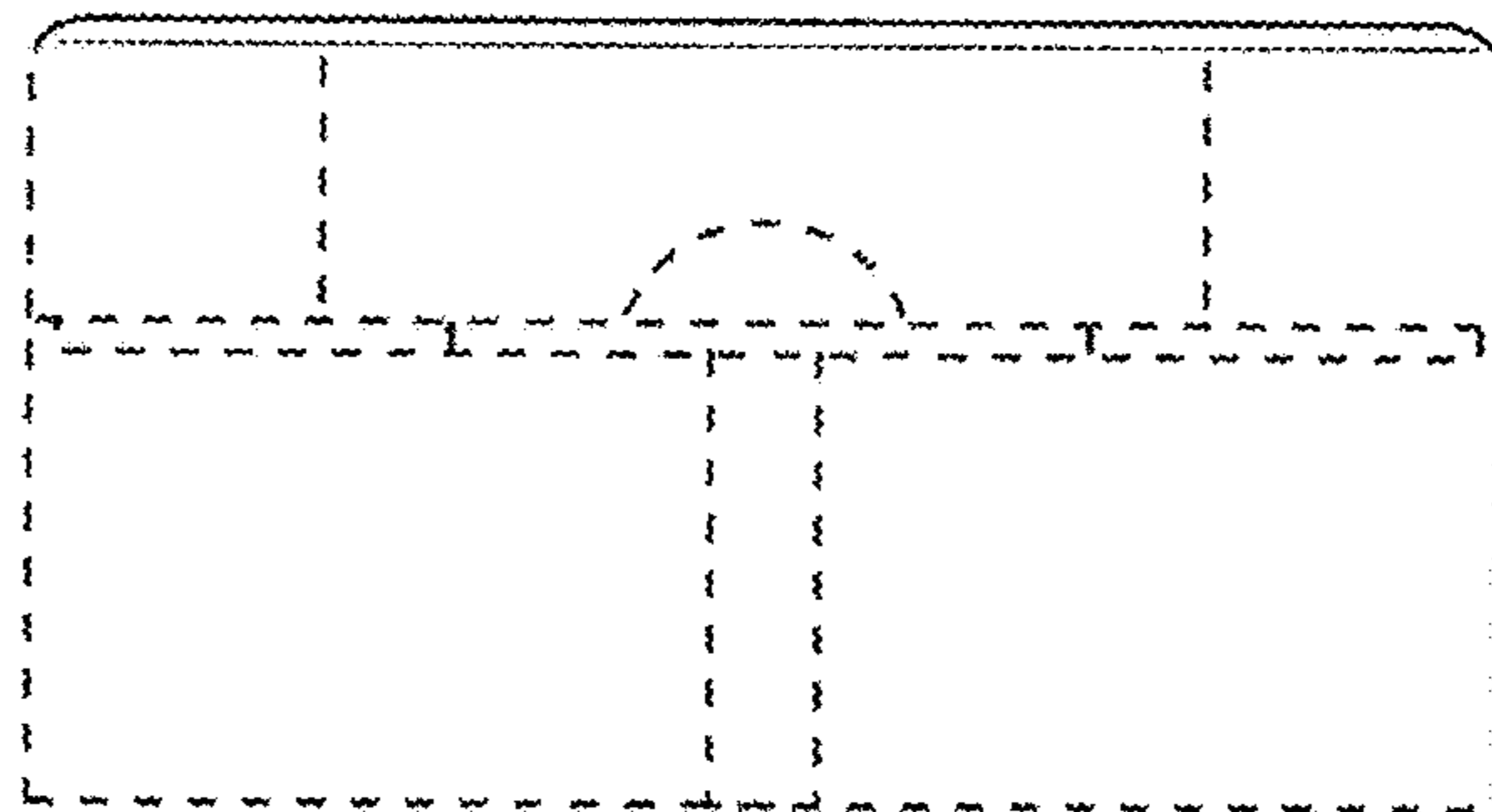


FIG. 3

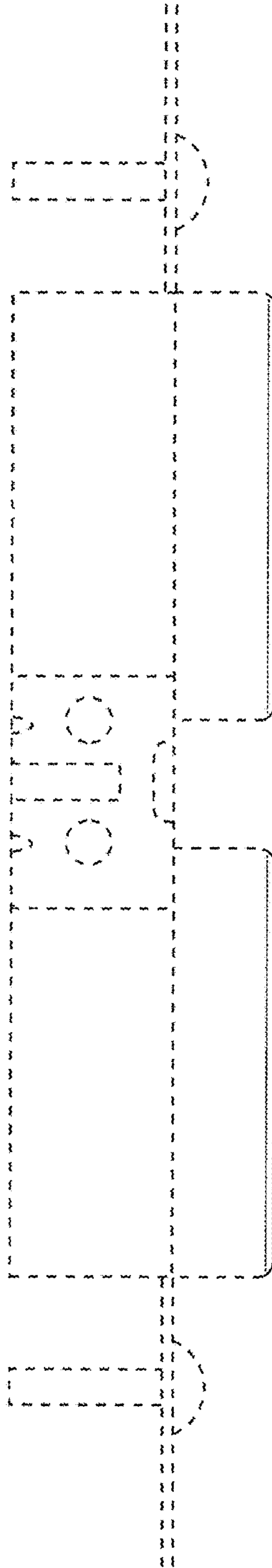


FIG. 4

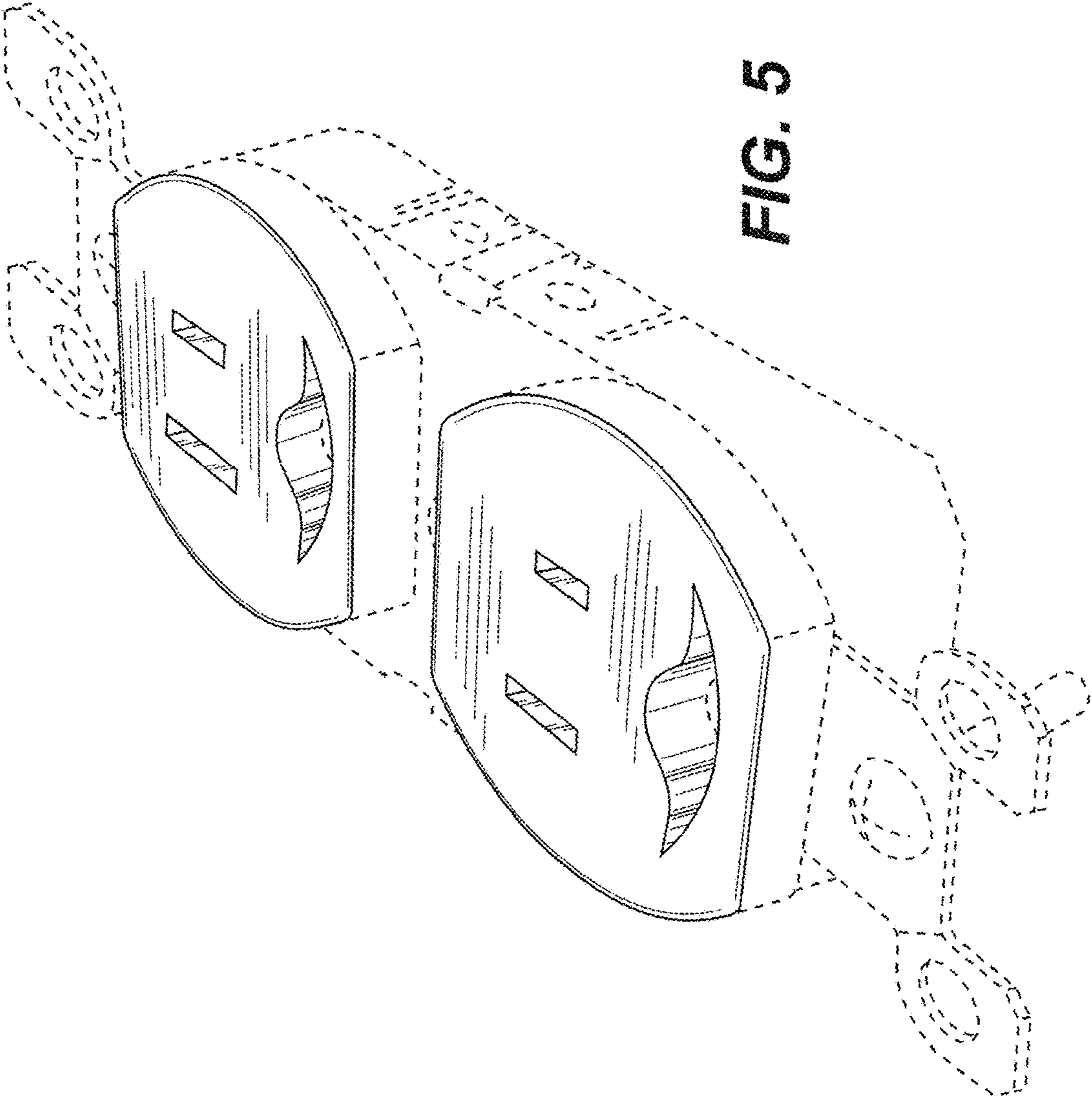


FIG. 5

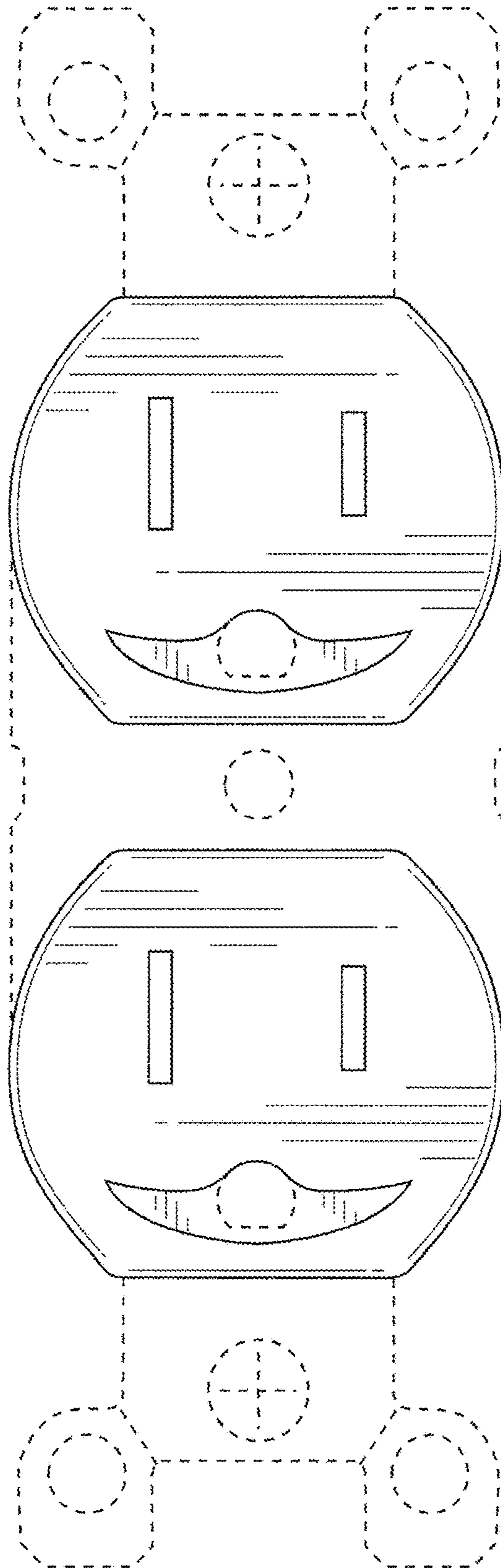


FIG. 6

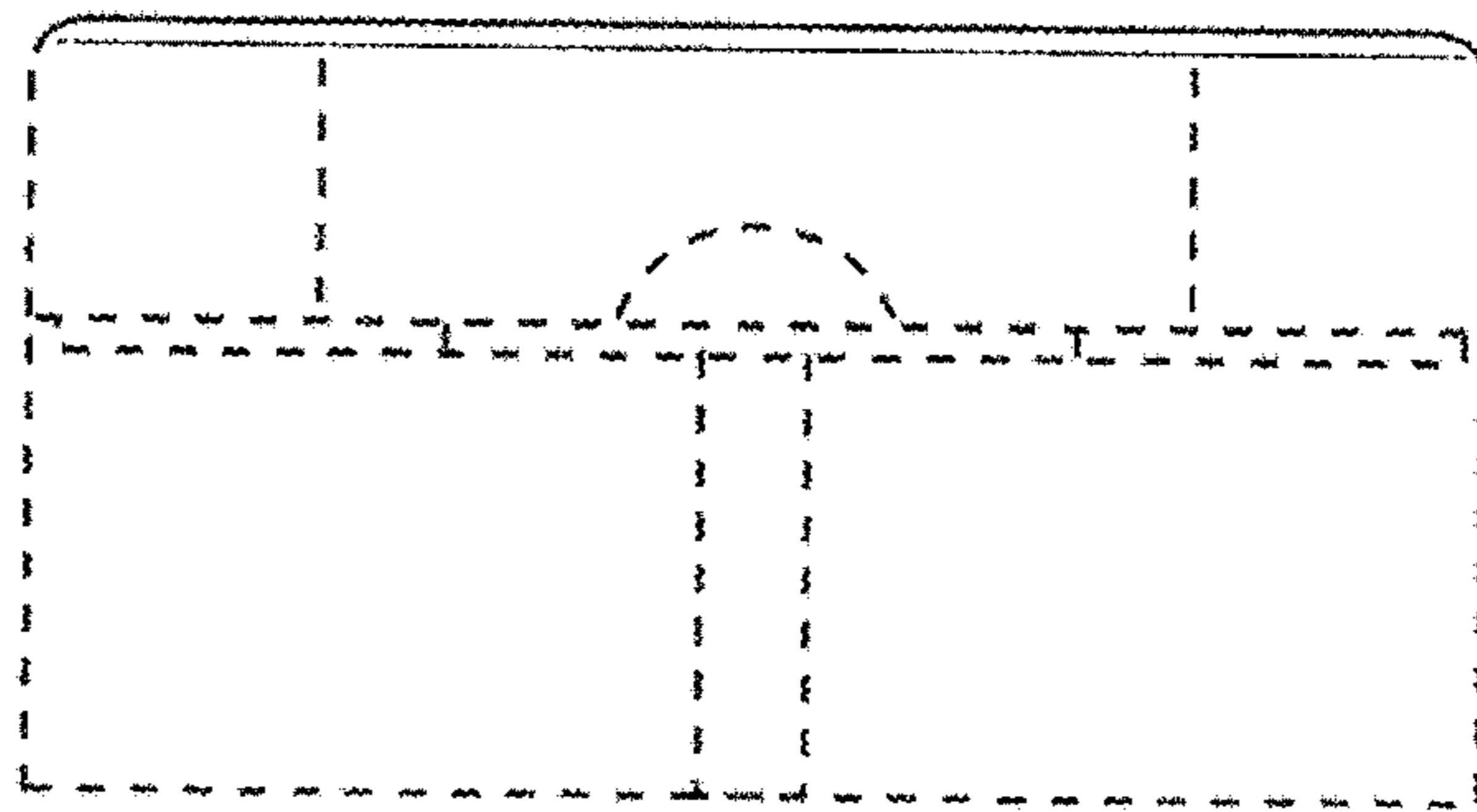


FIG. 7

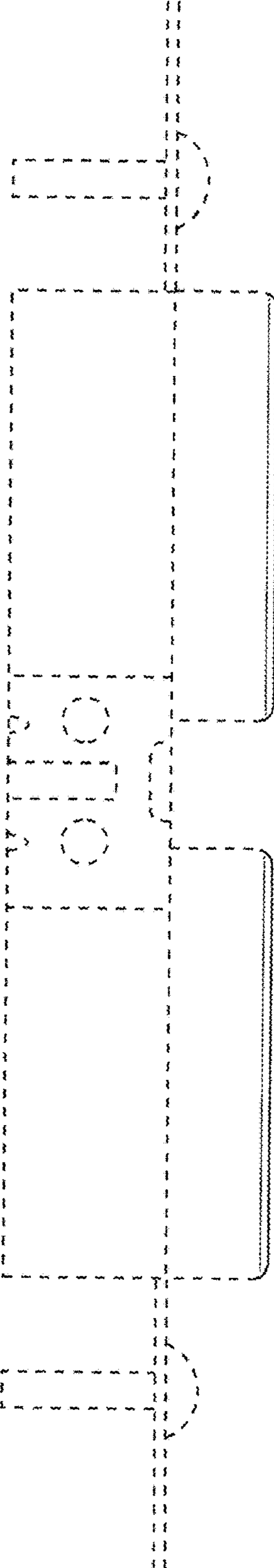


FIG. 8