



US00D839198S

(12) **United States Design Patent**
Chadbourne

(10) **Patent No.:** **US D839,198 S**
(45) **Date of Patent:** **** Jan. 29, 2019**

(54) **ADAPTER FOR CONNECTOR**

(71) Applicant: **Molex, LLC**, Lisle, IL (US)

(72) Inventor: **Richard Chadbourne**, Lisle, IL (US)

(73) Assignee: **Molex, LLC**, Lisle, IL (US)

(**) Term: **15 Years**

(21) Appl. No.: **29/619,646**

(22) Filed: **Sep. 29, 2017**

(51) **LOC (11) Cl.** **13-03**

(52) **U.S. Cl.**
USPC **D13/133**

(58) **Field of Classification Search**
USPC D13/110, 112, 118, 120, 122, 123, 133,
D13/146, 147, 154, 173, 184, 199
CPC . H01H 71/08; H01R 4/30; H01R 9/22; H01R
9/287; H01R 9/30; H01R 12/71; H01R
12/72; H01R 13/40; H01R 13/50; H01R
13/514; H01R 13/641; H01R 13/65;
H01R 13/6593; H01R 13/70; H01R
13/7036; H01R 24/60; H01R 29/00
See application file for complete search history.

(56) **References Cited**

U.S. PATENT DOCUMENTS

1,593,193	A *	7/1926	Ryno	H01H 9/287 174/5 R
3,813,636	A *	5/1974	Mason	H01R 9/22 439/460
4,580,861	A *	4/1986	Kaley	H01R 13/514 439/594
4,597,627	A *	7/1986	Wondra	H01R 13/514 439/174
D293,313	S *	12/1987	Justiano	D13/133

D328,284	S *	7/1992	Brenner	D13/158
D437,828	S *	2/2001	Corona	D13/146
D439,885	S *	4/2001	Ushio	D13/147
D504,401	S *	4/2005	Wang	D13/147
7,037,141	B1 *	5/2006	Huang	H01R 13/641 439/676
D651,176	S *	12/2011	Kobayashi	D13/147
D655,678	S *	3/2012	Kobayashi	D13/147
D821,975	S *	7/2018	Chadbourne	D13/133
D821,976	S *	7/2018	Chadbourne	D13/133
D822,607	S *	7/2018	Chadbourne	D13/133
2012/0045943	A1 *	2/2012	Huber	H01R 13/6593 439/660

* cited by examiner

Primary Examiner — Angela J Lee
Assistant Examiner — Shawn T Gingrich
(74) *Attorney, Agent, or Firm* — Banner & Witcoff, Ltd.

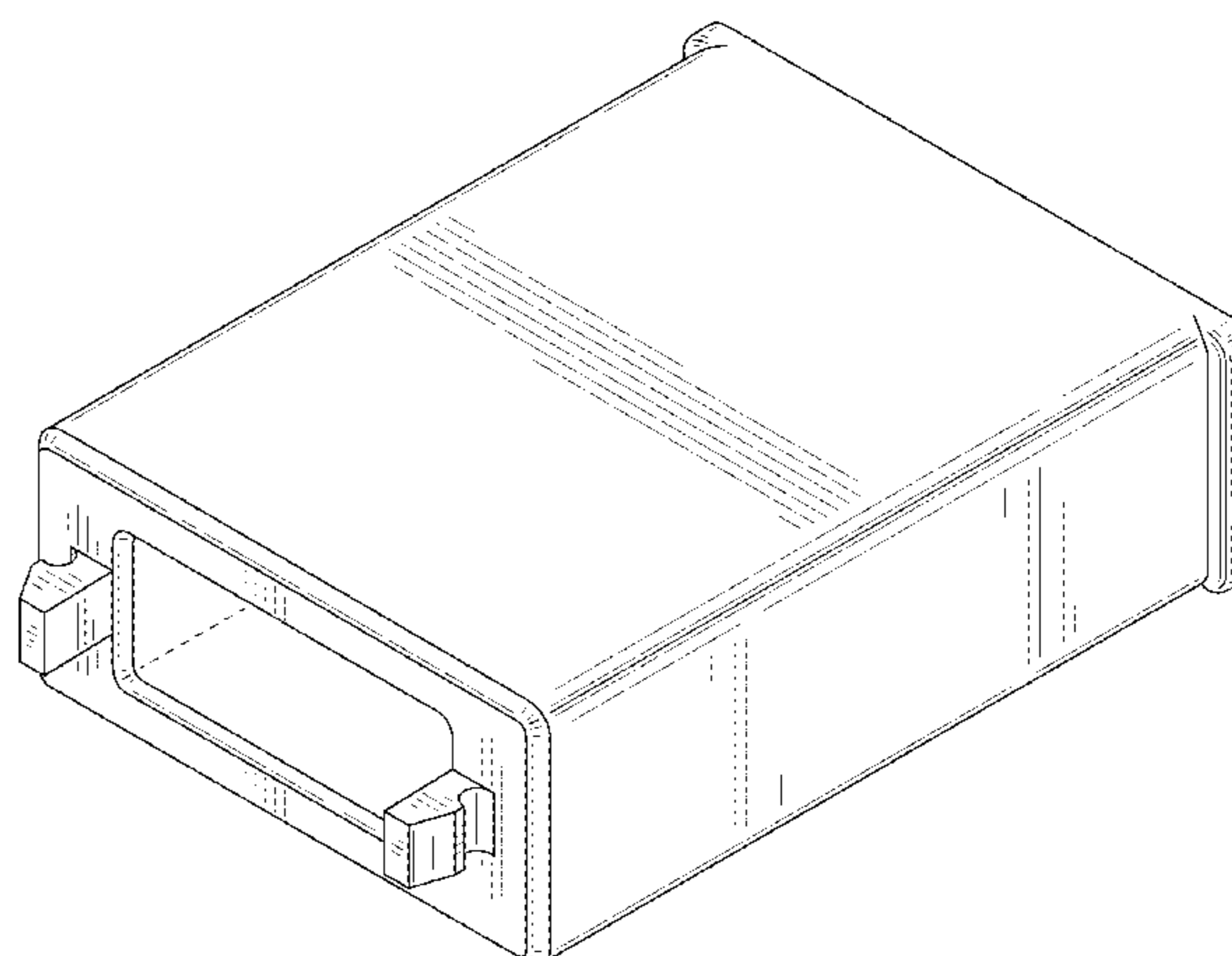
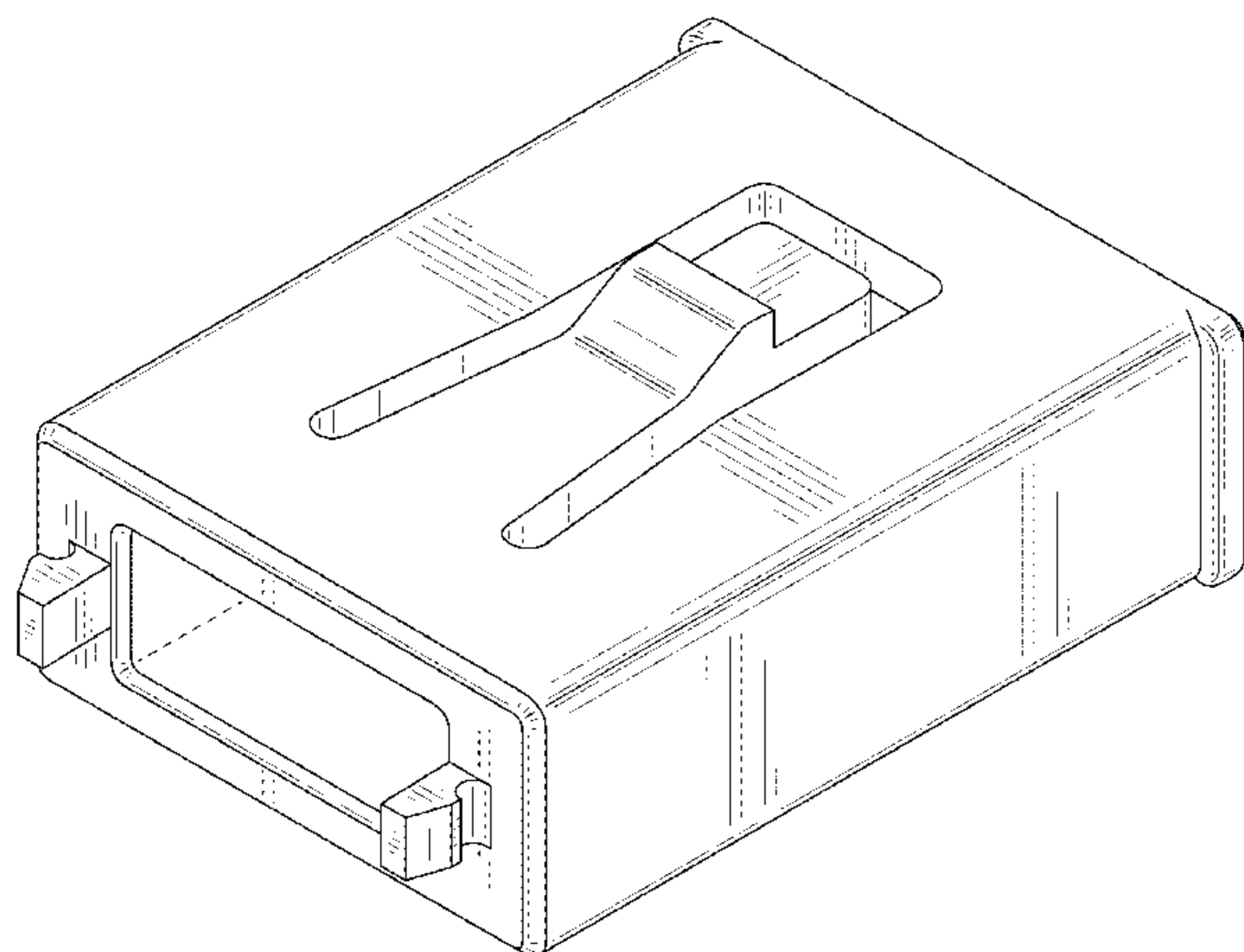
(57) **CLAIM**

The ornamental design for an adapter for connector, as shown and described.

DESCRIPTION

FIG. 1 is a front-top-right perspective view of an adapter for connector showing my new design;
FIG. 2 is a front view thereof;
FIG. 3 is a rear view thereof;
FIG. 4 is a right side thereof;
FIG. 5 is a left side thereof;
FIG. 6 is a top view thereof;
FIG. 7 is a bottom view thereof; and,
FIG. 8 is a front-bottom-left perspective view thereof.
The broken lines depicting the remainder of the adapter for connector show features that form no part of the claimed design. The unshaded internal walls form no part of the claimed design.

1 Claim, 8 Drawing Sheets



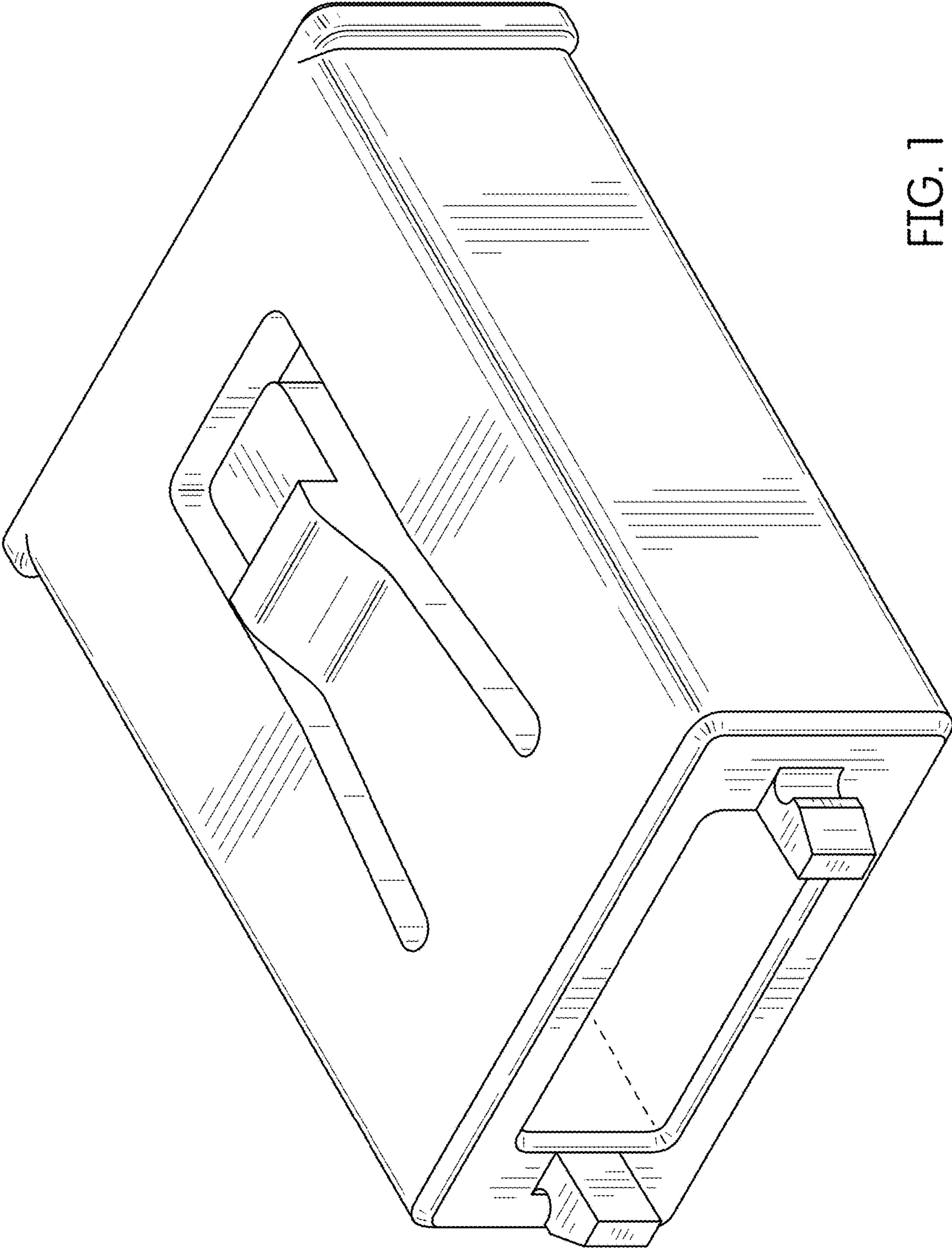


FIG. 1

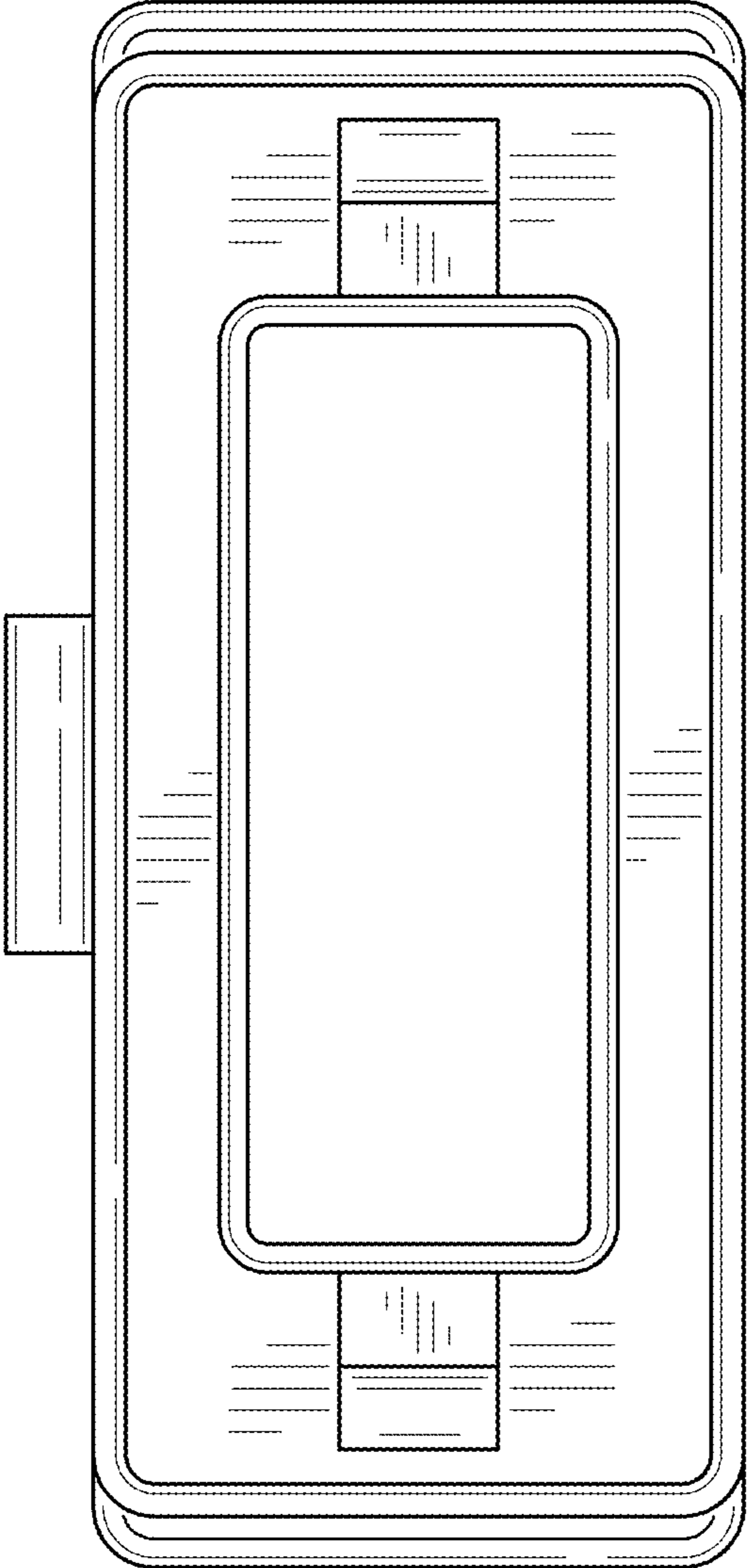


FIG. 2

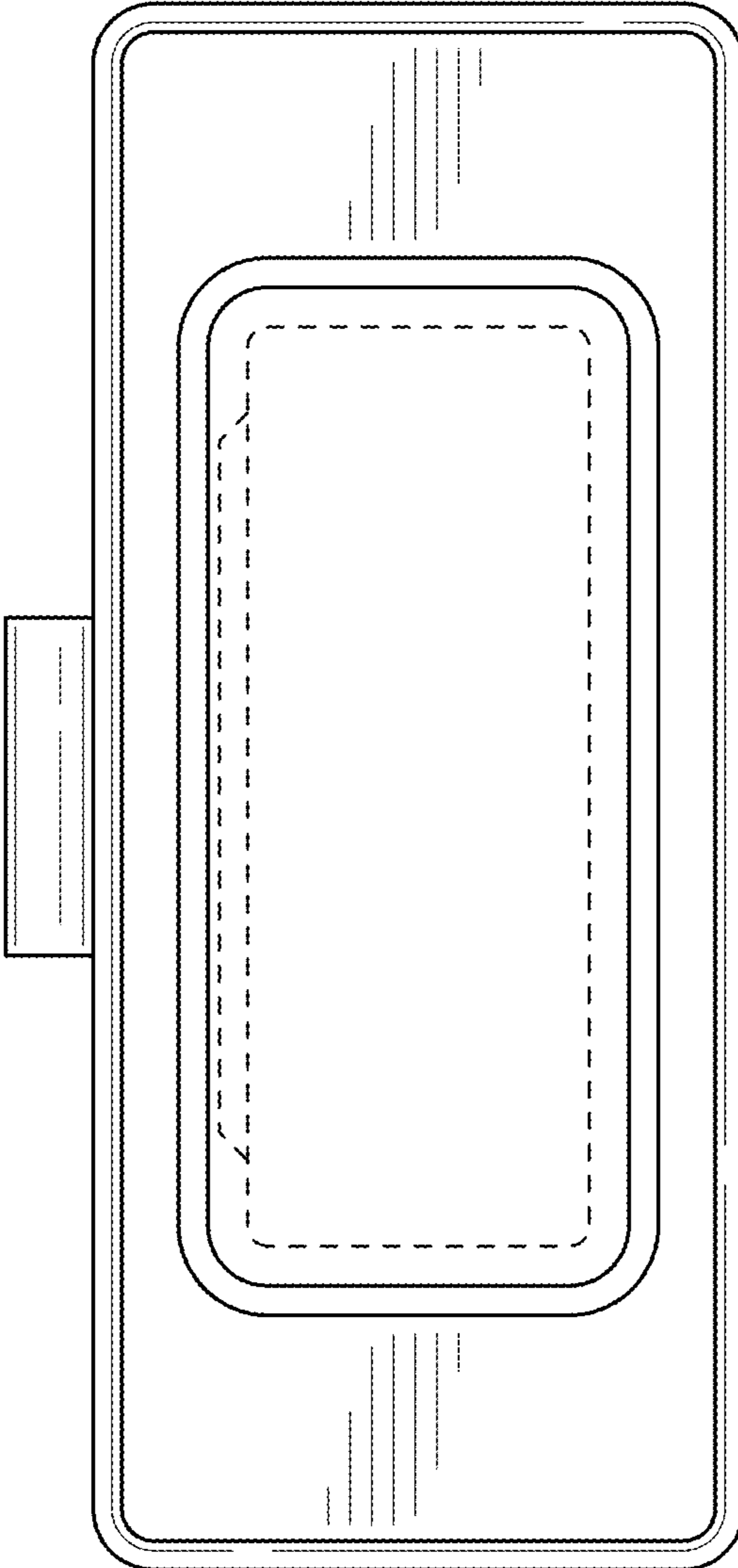


FIG. 3

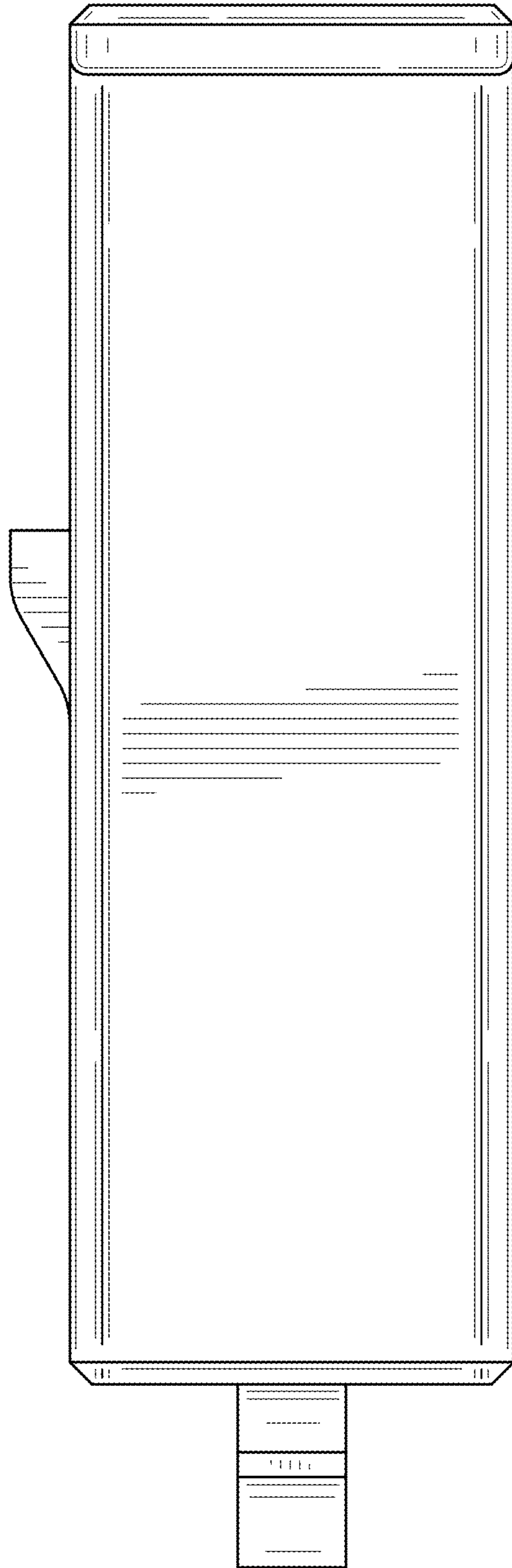


FIG. 4

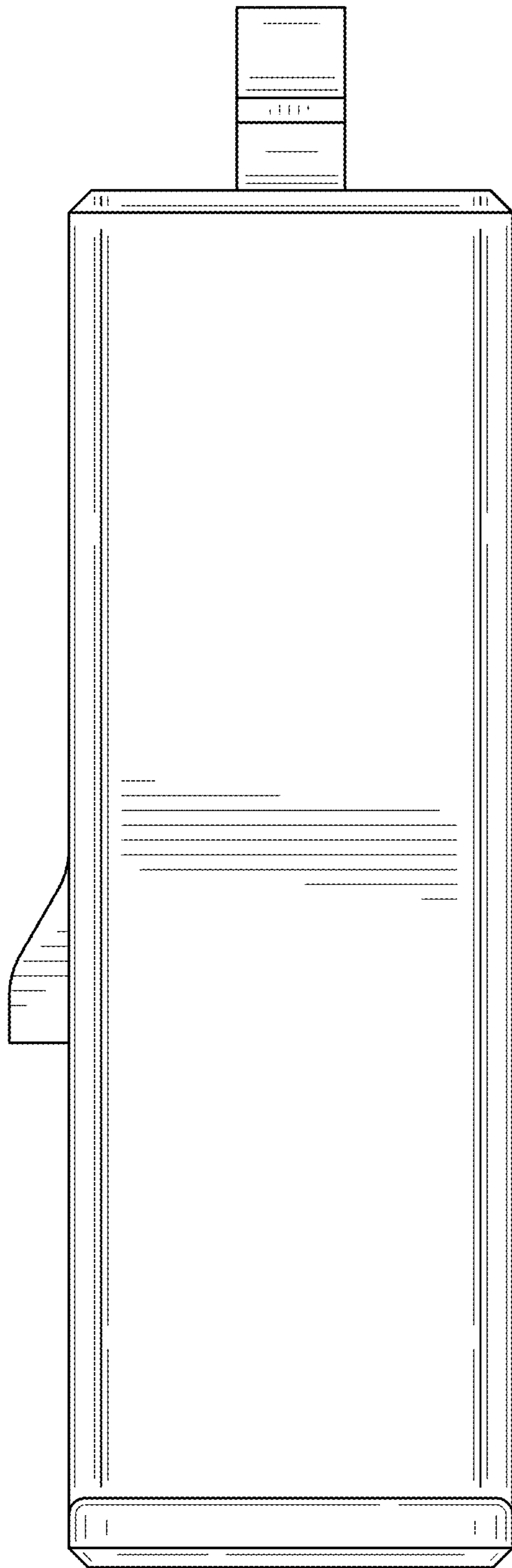


FIG. 5

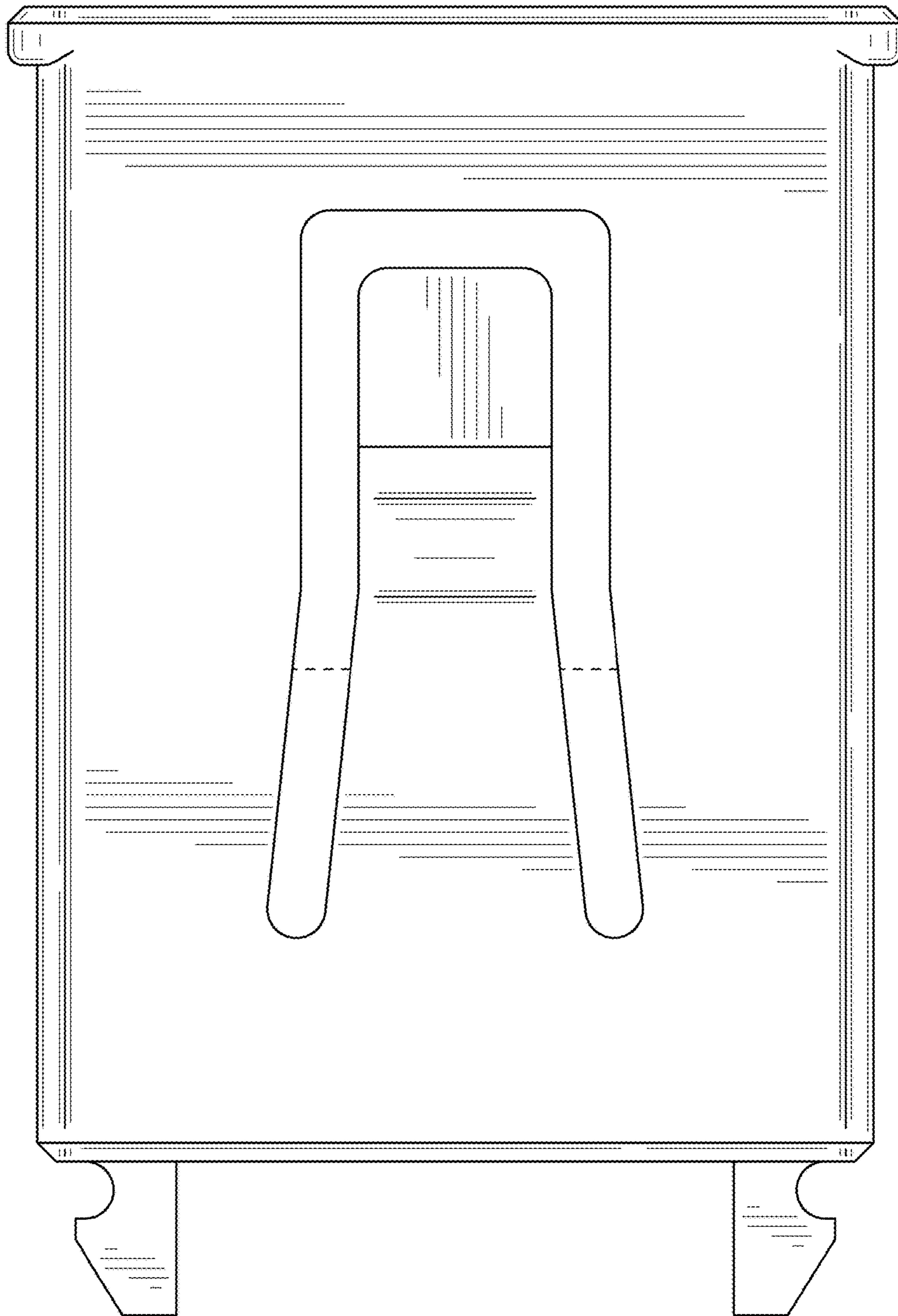


FIG. 6

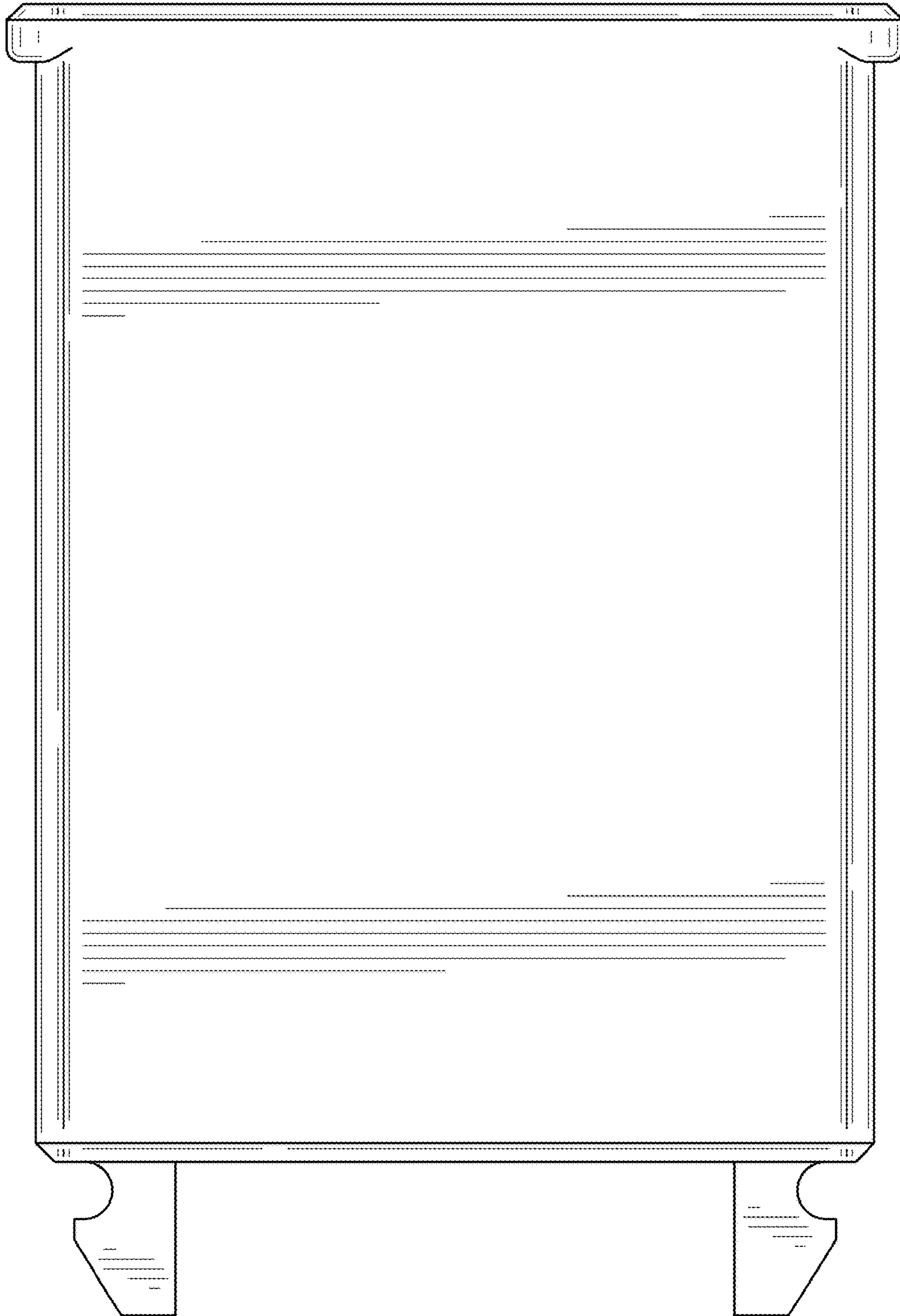


FIG. 7

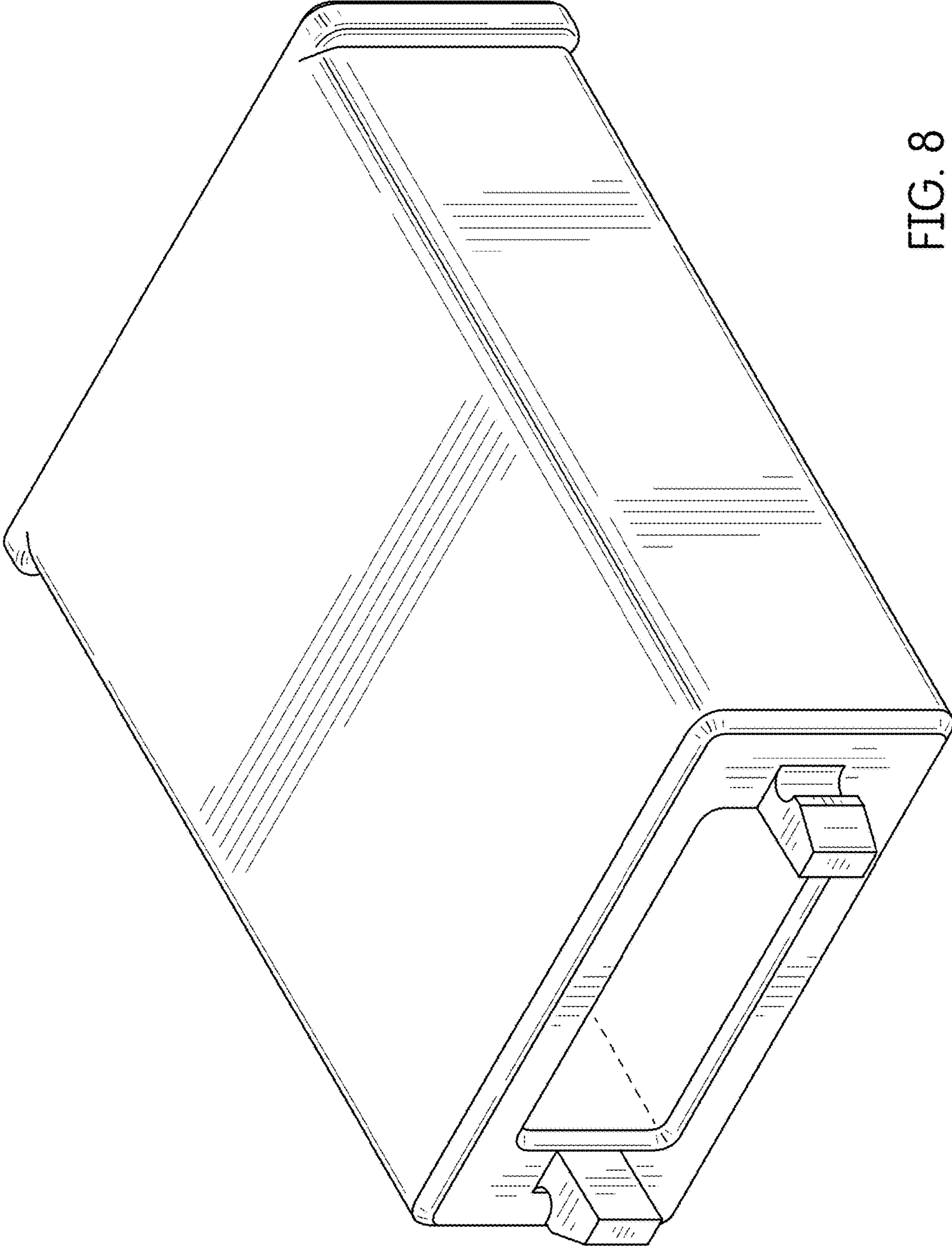


FIG. 8