



US00D839195S

(12) **United States Design Patent**
Endo et al.

(10) **Patent No.:** **US D839,195 S**
(45) **Date of Patent:** **** Jan. 29, 2019**

(54) **ELECTRICAL CONNECTOR HOUSING**

FOREIGN PATENT DOCUMENTS

(71) Applicant: **Dai-ichi Seiko Co., Ltd.**, Kyoto-shi,
Kyoto (JP)

JP 2000-067959 A 3/2000
JP 2002-151191 A 5/2002

(72) Inventors: **Takayoshi Endo**, Shizuoka (JP);
Shunya Oohashi, Shizuoka (JP)

OTHER PUBLICATIONS

(73) Assignee: **DAI-ICHI SEIKO CO., LTD.**, Kyoto
(JP)

Gikfun 2 Pin and 3 Pin Screw Terminal Block Connector, dated Sep. 15, 2015, [online], [site visited Apr. 24, 2018]. Available from Internet, <URL:https://www.amazon.com/dp/B015E3O4GS/ref=sspa_dk_detail_4?psc=1&pd_rd_i=B015E3O4GS&pd_rd_wg=fQFye&pd_rd_r=CFSHA3ZB8T7VWEQWVFYS&pd_rd_w=i3UWA>.*

(**) Term: **15 Years**

(Continued)

(21) Appl. No.: **29/614,570**

Primary Examiner — Angela J Lee
Assistant Examiner — Shawn T Gingrich

(22) Filed: **Aug. 21, 2017**

(74) *Attorney, Agent, or Firm* — K&L Gates LLP; Louis C. Cullman; Georgia N. Kefallinos

(30) **Foreign Application Priority Data**

Jun. 13, 2017 (JP) 2017-012621

(51) **LOC (11) Cl.** **13-03**

(52) **U.S. Cl.**
USPC **D13/133**

(58) **Field of Classification Search**
USPC D13/110, 112, 118, 120, 122, 123, 133,
D13/146, 147, 154, 173, 184, 199
CPC ... H01R 4/24; H01R 4/48; H01R 9/22; H01R
9/24; H01R 13/02; H01R 13/04; H01R
13/15; H01R 13/40; H01R 13/432; H01R
13/44; H01R 13/514; H01R 13/60; H01R
13/62; H01R 13/627; H01R 13/639;
H01R 13/64; H01R 24/00; H01R 31/00;
H01R 31/08; H01R 12/22; H01R 13/46
See application file for complete search history.

(57) **CLAIM**

The ornamental design for an electrical connector housing,
as shown and described.

DESCRIPTION

FIG. 1 is a front view of an electrical connector housing of my design.
FIG. 2 is a back view of the electrical connector housing of FIG. 1.
FIG. 3 is a first side view of the electrical connector housing of FIG. 1.
FIG. 4 is a second side view of the electrical connector housing of FIG. 1.
FIG. 5 is a top view of the electrical connector housing of FIG. 1.
FIG. 6 is a bottom view of the electrical connector housing of FIG. 1.
FIG. 7 is a top perspective view of the electrical connector housing of FIG. 1; and,
FIG. 8 is a bottom perspective view of the electrical connector housing of FIG. 1.

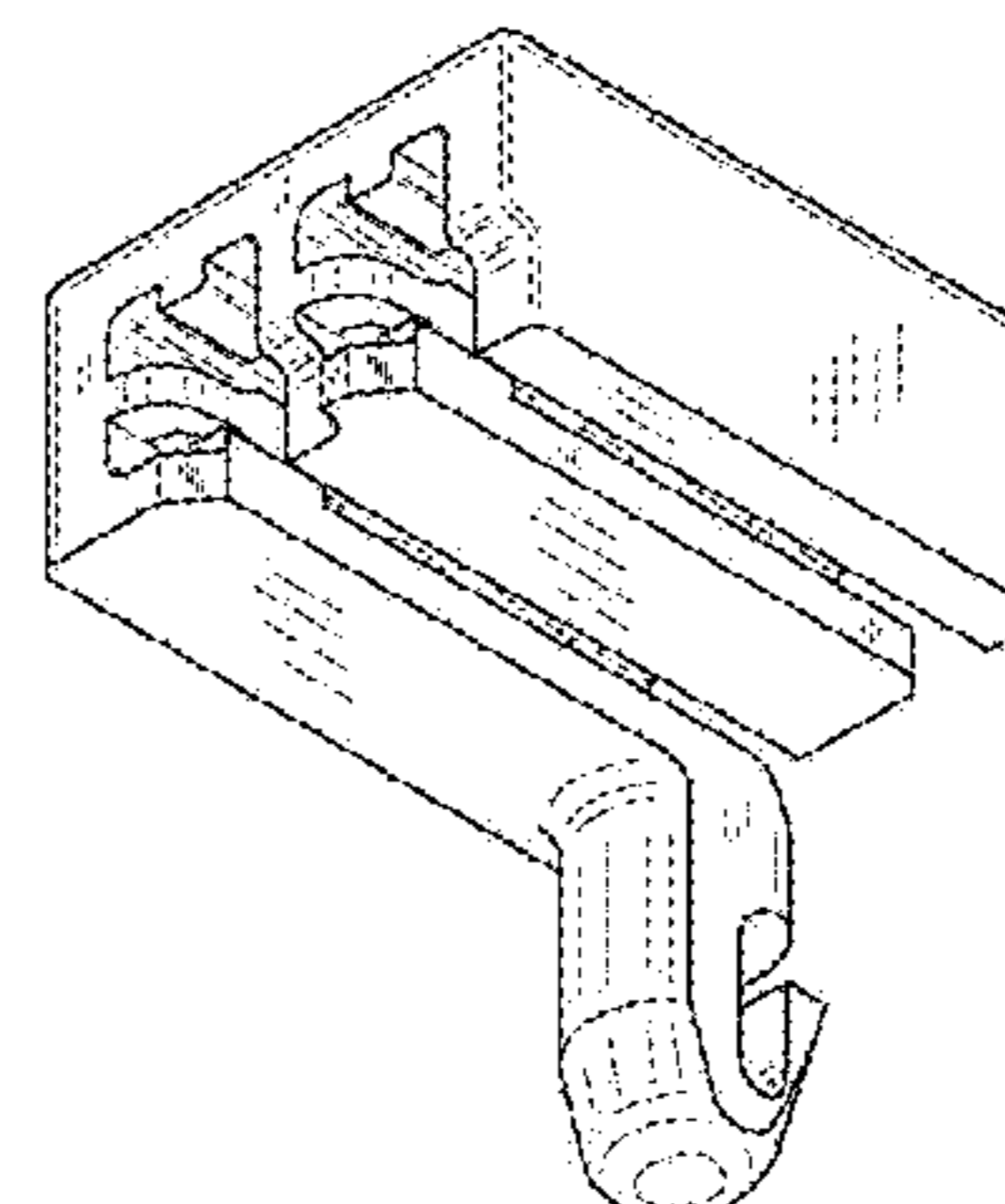
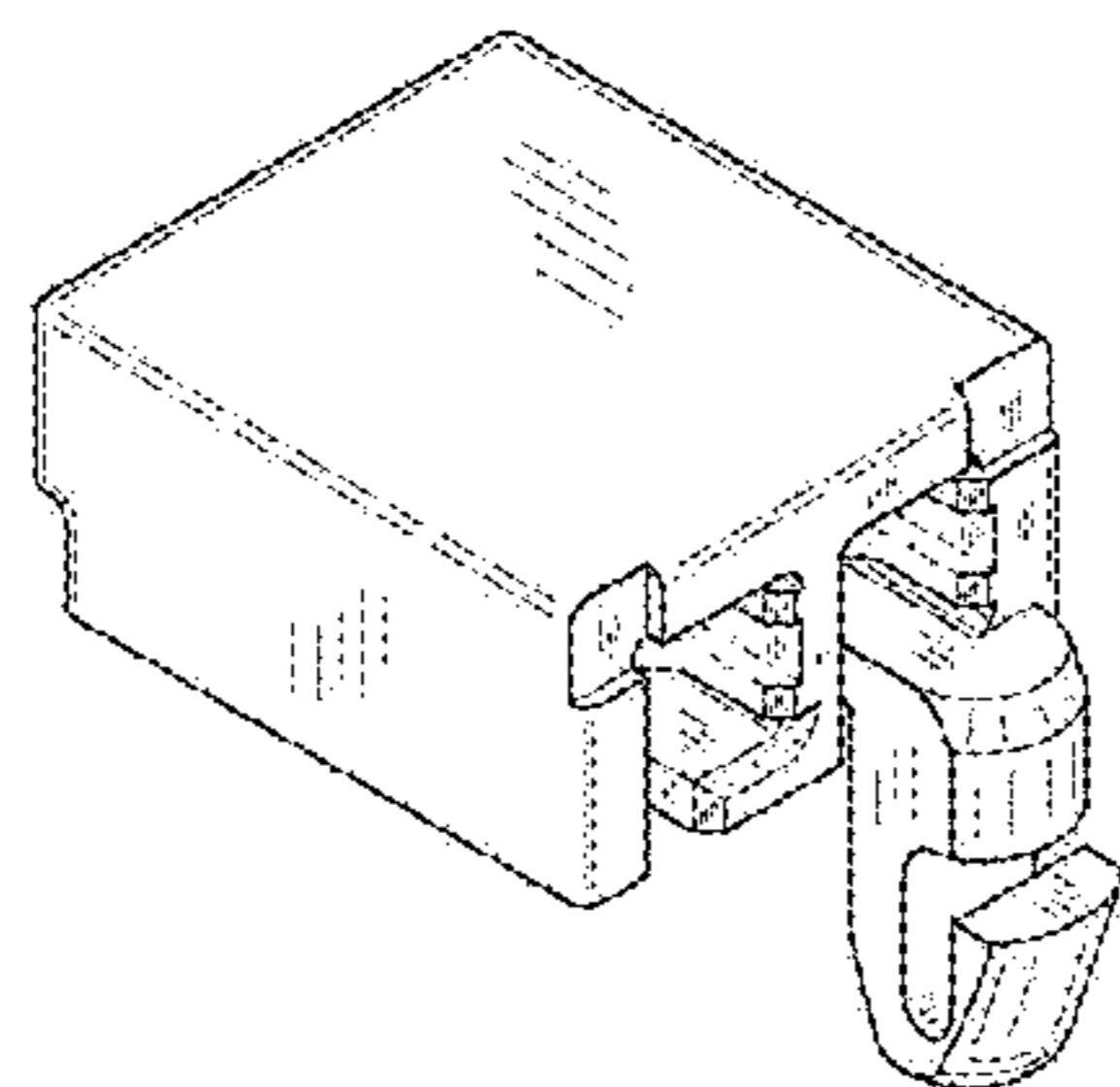
(56) **References Cited**

U.S. PATENT DOCUMENTS

D210,533 S * 3/1968 Pauza 174/138 F
D293,313 S * 12/1987 Justiano D13/133

(Continued)

(Continued)



Broken lines shown in the figures are included for the purpose of illustrating portions of the electrical connector housing and form no part of the claimed design.

1 Claim, 8 Drawing Sheets

(56) **References Cited**

U.S. PATENT DOCUMENTS

5,106,318 A * 4/1992 Endo H01R 31/08
439/189
5,651,697 A * 7/1997 Cinquegrani H01R 13/6272
439/374
D598,856 S * 8/2009 Stromiedel D13/133
D618,619 S * 6/2010 Walter D13/147
D647,483 S * 10/2011 Goto D13/147
D663,693 S * 7/2012 Smith D13/146
D676,391 S * 2/2013 Gassauer D13/147
D751,990 S * 3/2016 Ikeda D13/147
2012/0122354 A1 * 5/2012 Chen H01R 13/432
439/746
2014/0016902 A1 * 1/2014 Pepe G02B 6/3893
385/76
2016/0006176 A1 * 1/2016 Kollmann H01R 4/4836
439/346

OTHER PUBLICATIONS

Design HMI Terminals, dated Apr. 14, 2017, [online], [site visited Apr. 24, 2018]. Available from Internet, <URL:<http://www.designhmi.com/2017/04/14/press-fit-terminals/>>.*

* cited by examiner

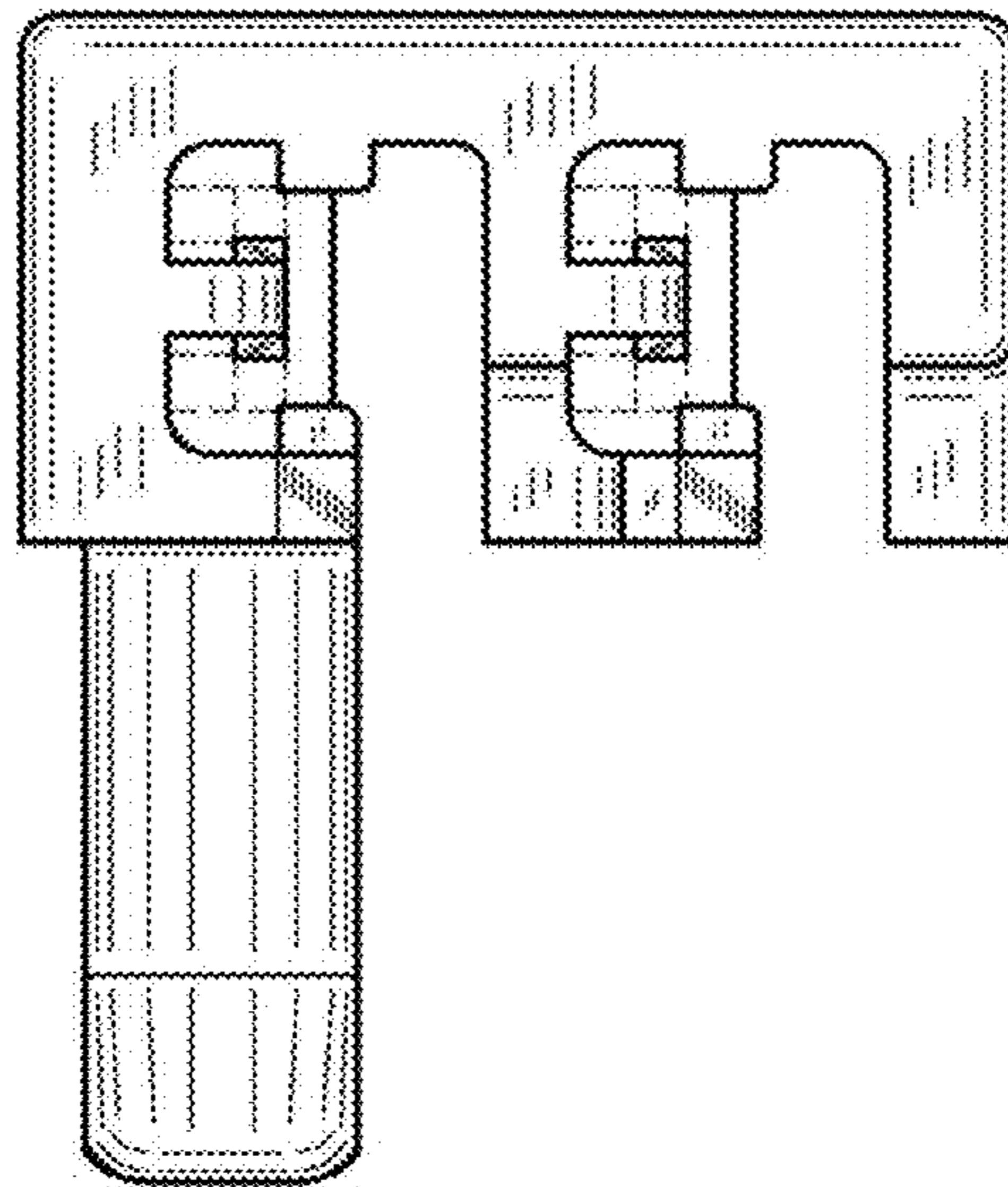


FIG. 1

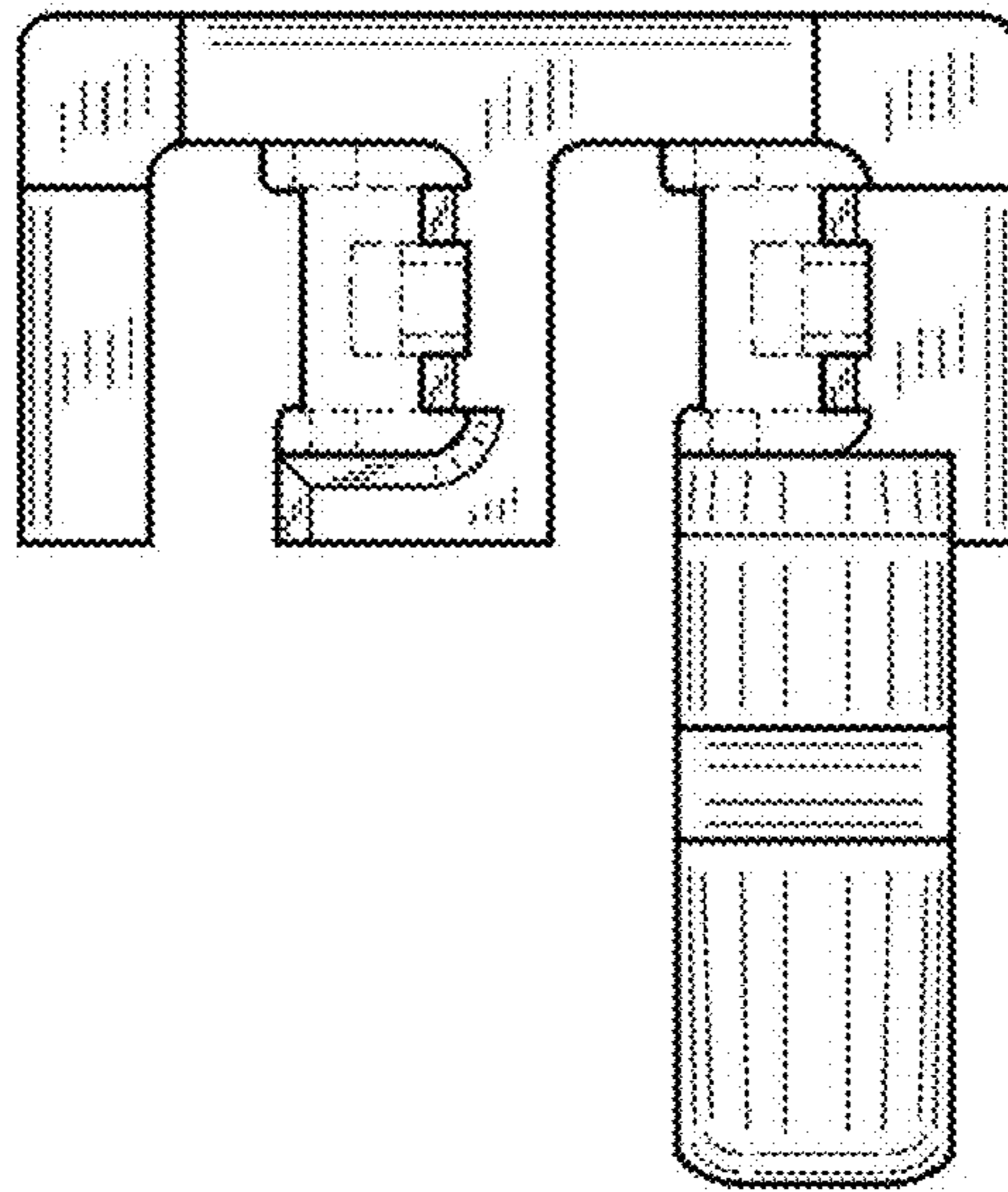


FIG. 2

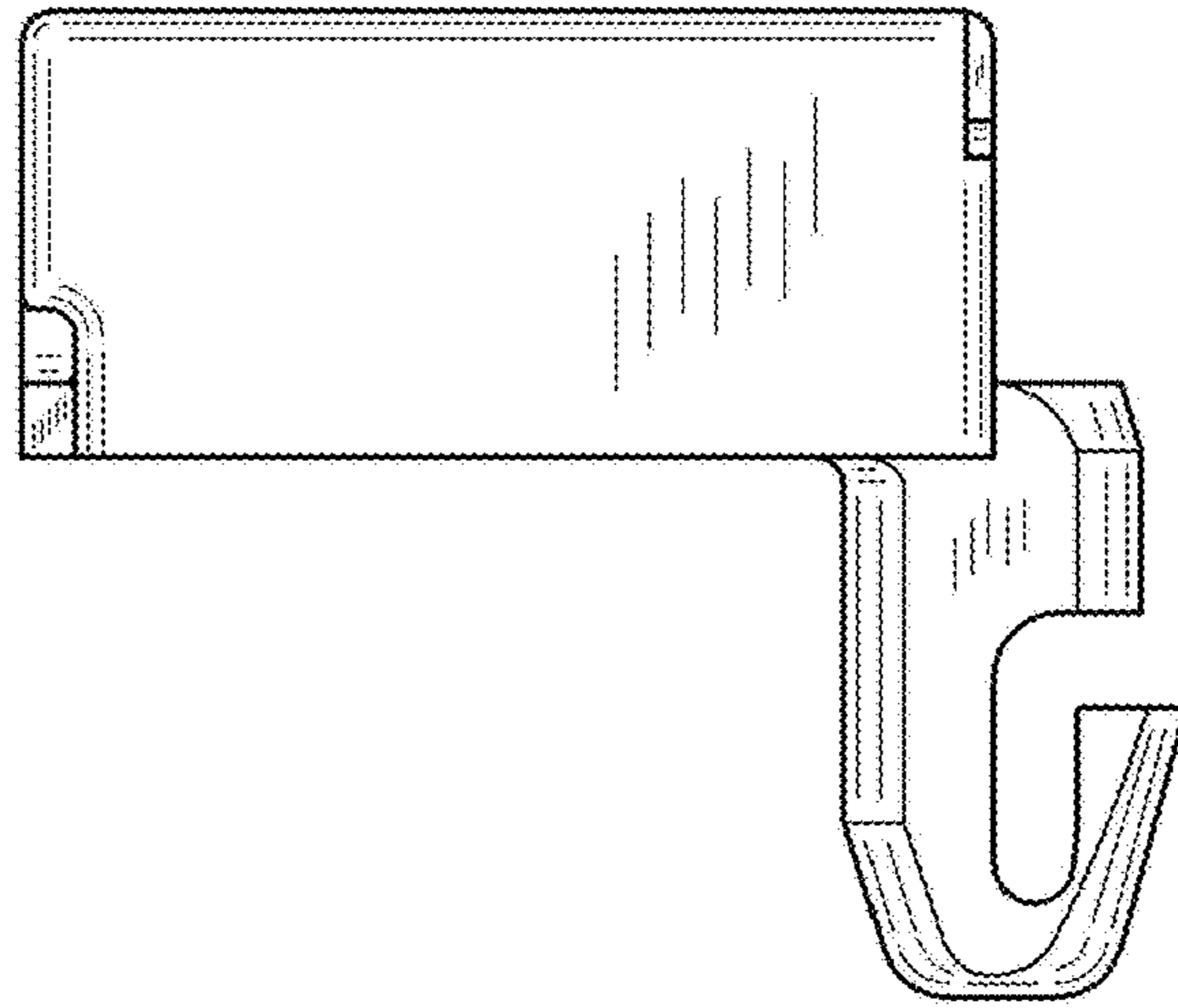


FIG. 3

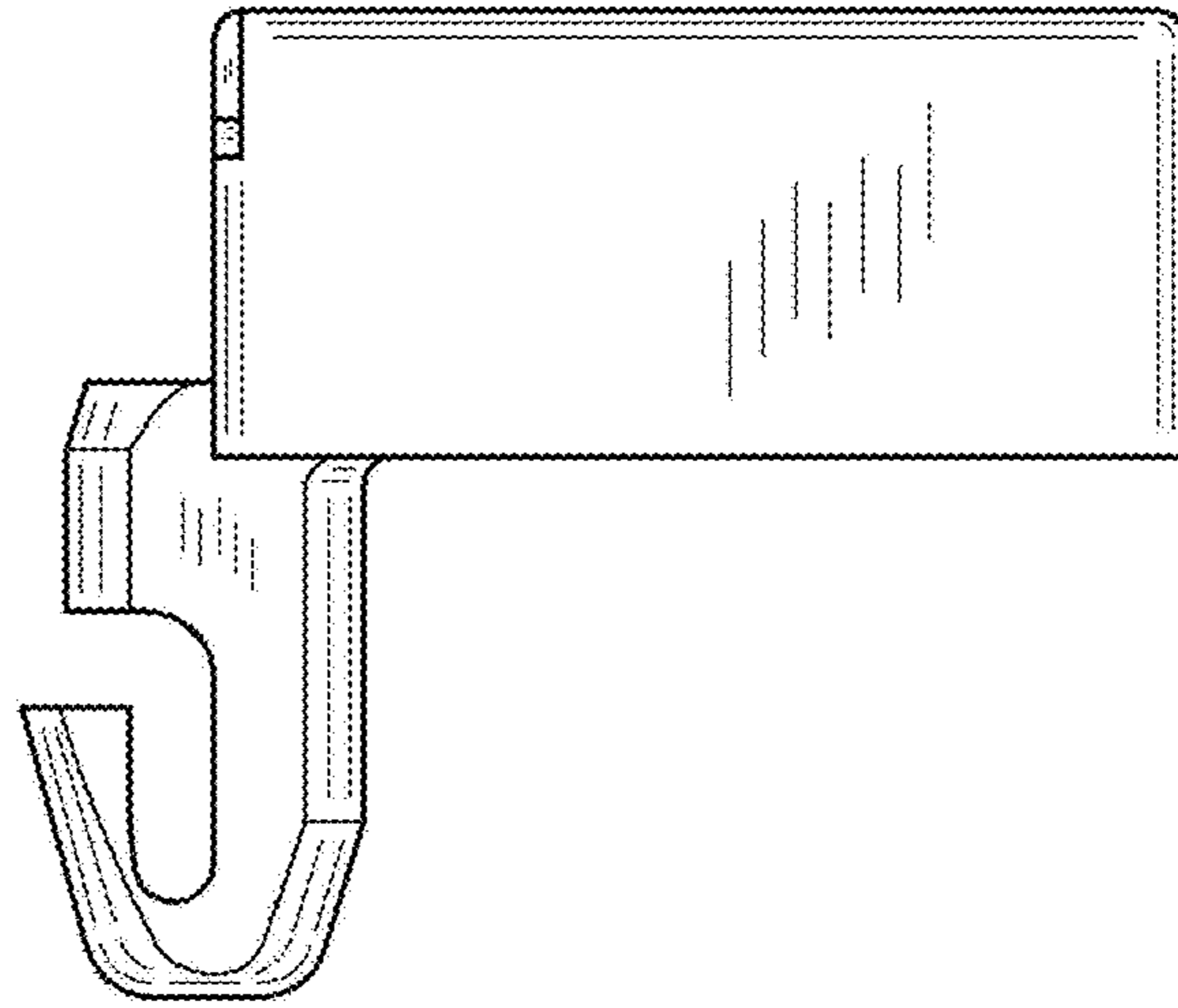


FIG. 4

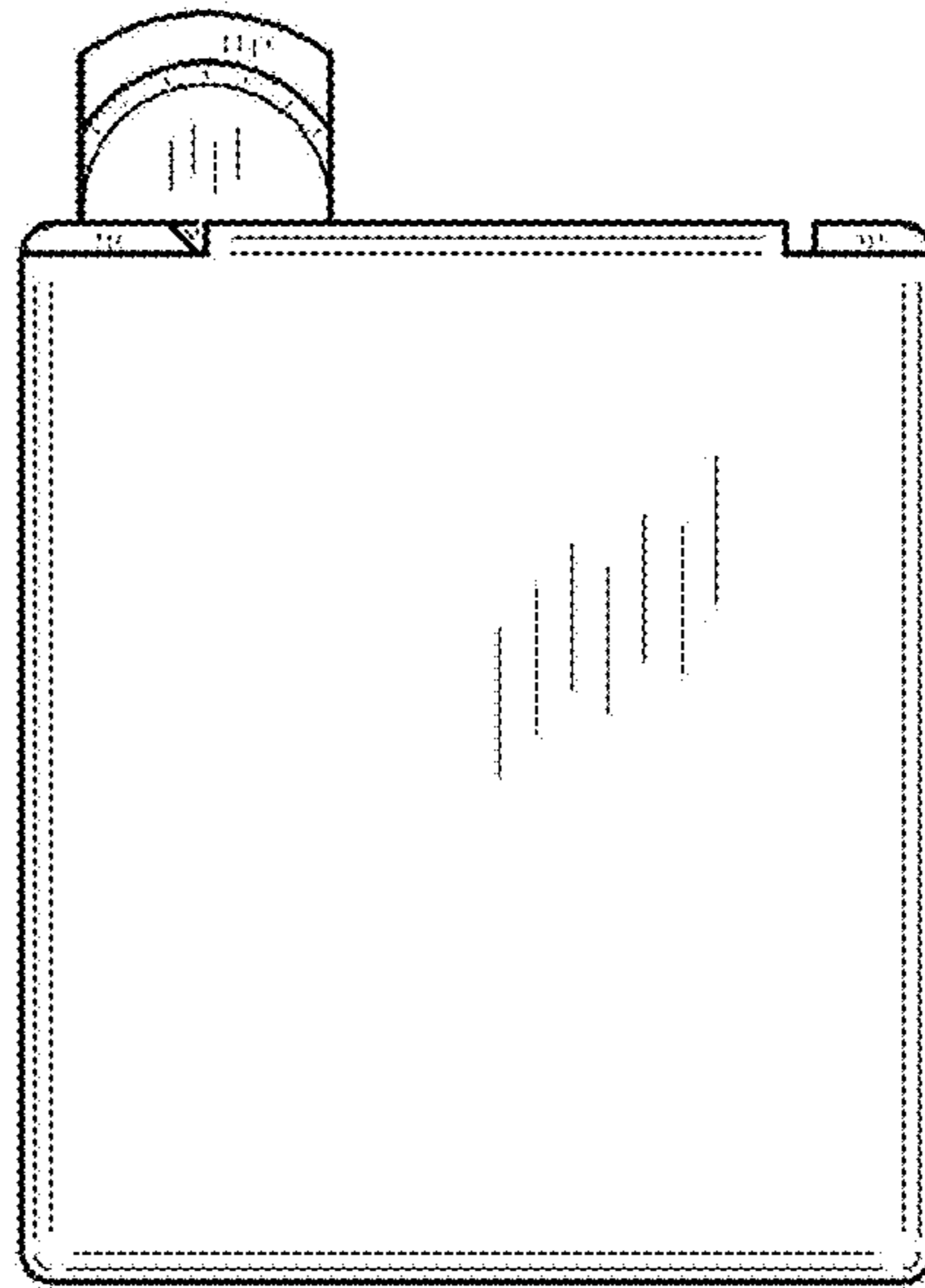


FIG. 5

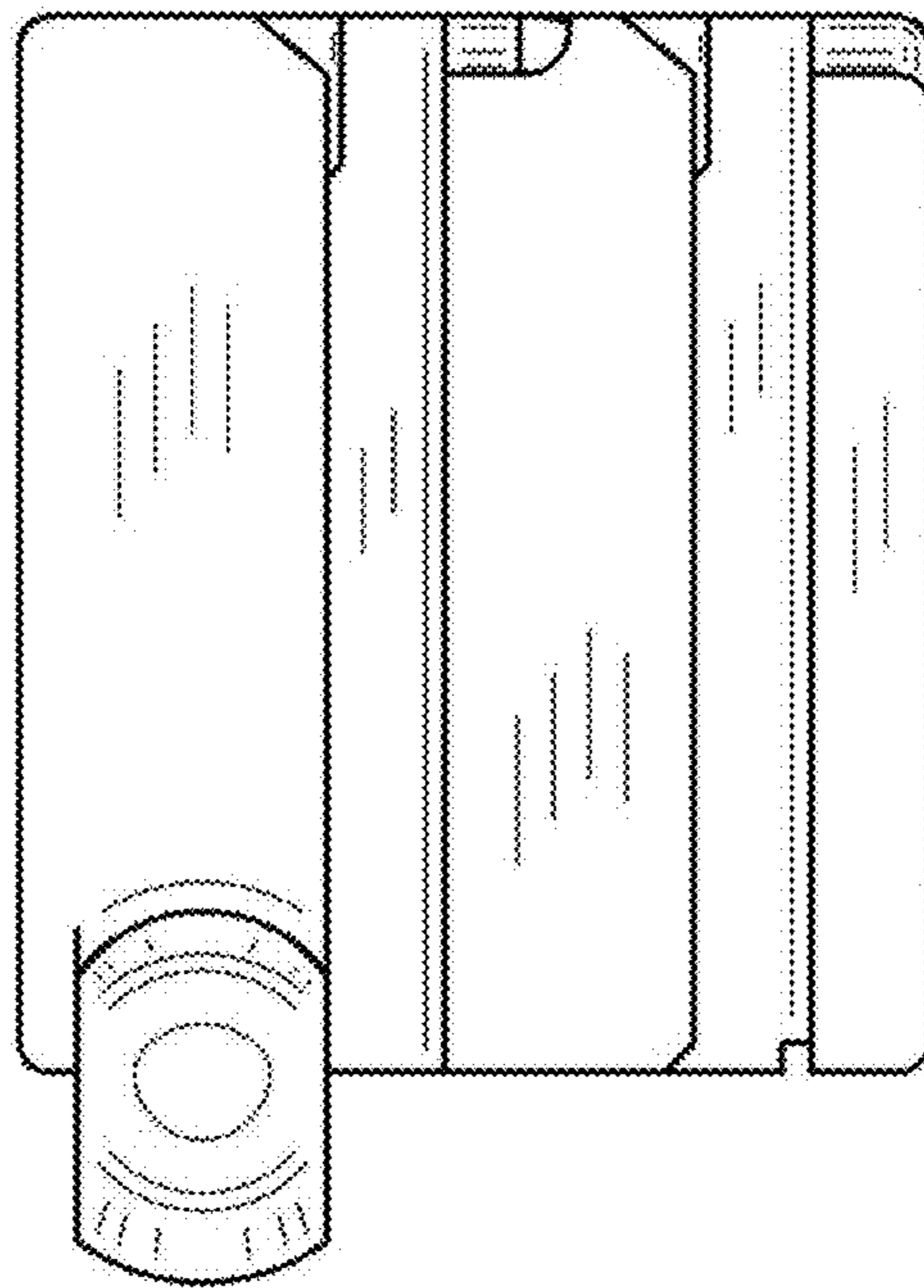


FIG. 6

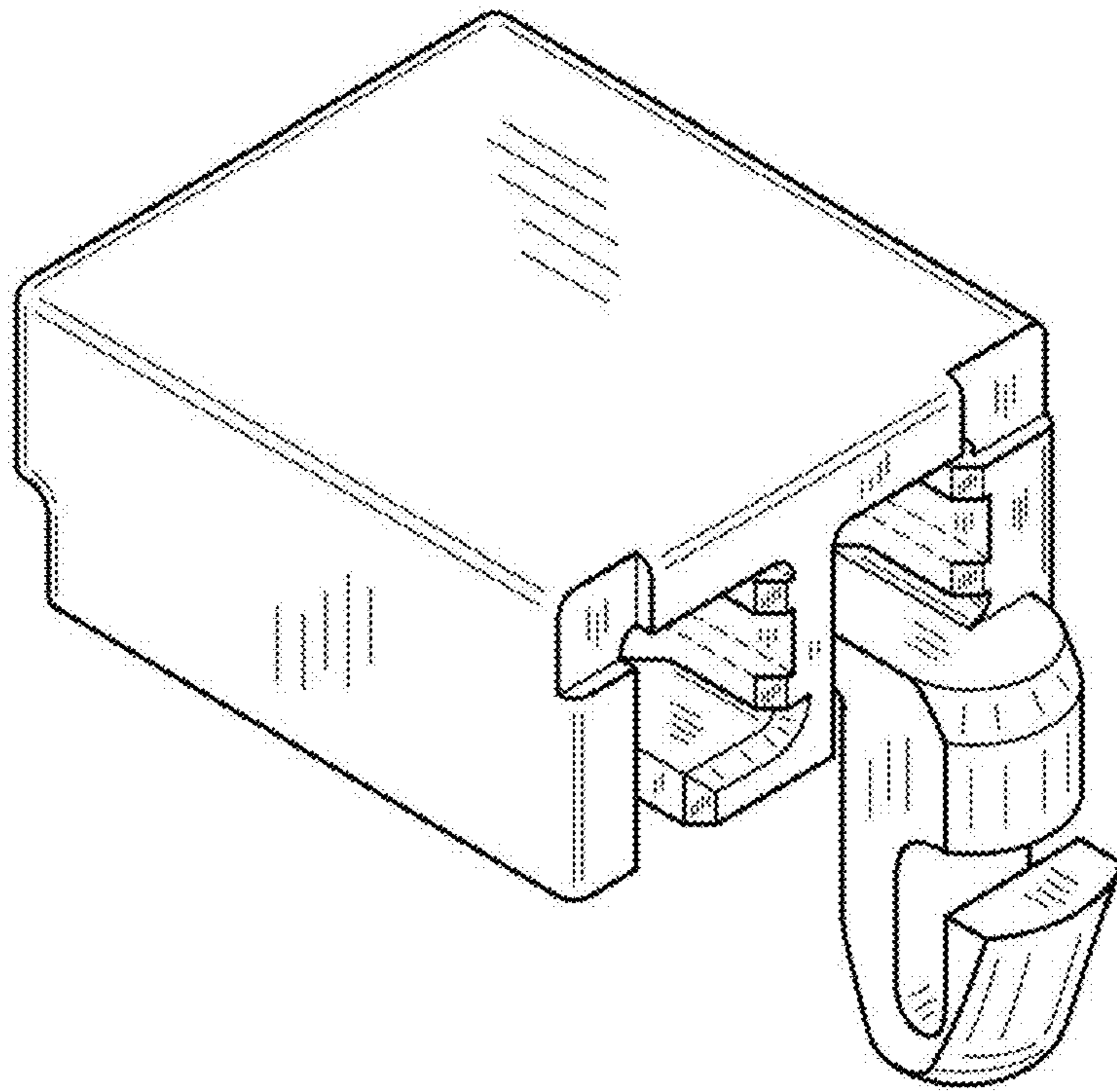


FIG. 7

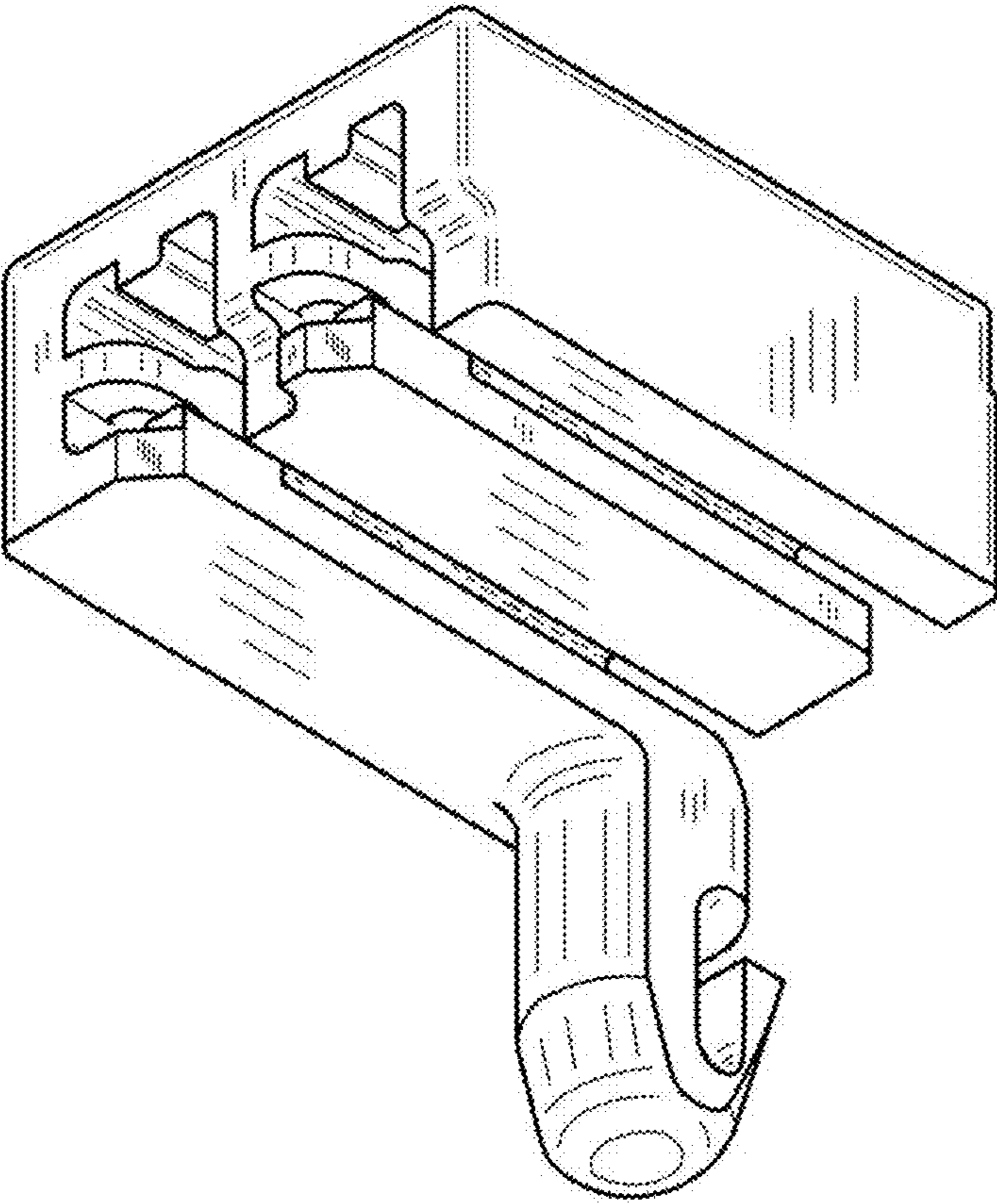


FIG. 8