



US00D839191S

(12) **United States Design Patent**  
**Akana et al.**

(10) **Patent No.:** **US D839,191 S**  
(45) **Date of Patent:** **\*\* Jan. 29, 2019**

(54) **CHARGER**

(71) Applicant: **Apple Inc.**, Cupertino, CA (US)

(72) Inventors: **Jody Akana**, San Francisco, CA (US); **Molly Anderson**, San Francisco, CA (US); **Bartley K. Andre**, Palo Alto, CA (US); **Shota Aoyagi**, San Francisco, CA (US); **Anthony Michael Ashcroft**, San Francisco, CA (US); **Jeremy Bataillou**, San Francisco, CA (US); **Daniel J. Coster**, San Francisco, CA (US); **Daniele De Iuliis**, San Francisco, CA (US); **M. Evans Hankey**, San Francisco, CA (US); **Julian Hoenig**, San Francisco, CA (US); **Richard P. Howarth**, San Francisco, CA (US); **Jonathan P. Ive**, San Francisco, CA (US); **Duncan Robert Kerr**, San Francisco, CA (US); **Marc A. Newson**, London (GB); **Matthew Dean Rohrbach**, San Francisco, CA (US); **Peter Russell-Clarke**, San Francisco, CA (US); **Benjamin Andrew Shaffer**, San Jose, CA (US); **Mikael Silvano**, San Francisco, CA (US); **Christopher J. Stringer**, Woodside, CA (US); **Clement Tissandier**, San Francisco, CA (US); **Eugene Antony Whang**, San Francisco, CA (US); **Rico Zörkendörfer**, San Francisco, CA (US)

(73) Assignee: **Apple Inc.**, Cupertino, CA (US)

(\*\*) Term: **15 Years**

(21) Appl. No.: **29/640,141**

(22) Filed: **Mar. 12, 2018**

**Related U.S. Application Data**

(63) Continuation of application No. 29/553,631, filed on Feb. 3, 2016, now Pat. No. Des. 812,563, which is a  
(Continued)

(51) **LOC (11) Cl.** ..... **13-02**

(52) **U.S. Cl.**  
USPC ..... **D13/108**

(58) **Field of Classification Search**  
USPC ..... D13/107–110, 118–119, 184; D14/251, D14/253, 432, 434

(Continued)

(56) **References Cited**

U.S. PATENT DOCUMENTS

D221,081 S 7/1971 Kahn  
D399,603 S 10/1998 Hemsley et al.

(Continued)

*Primary Examiner* — Rosemary K Tarcza  
*Assistant Examiner* — Nathaniel D. Buckner

(74) *Attorney, Agent, or Firm* — Sterne, Kessler, Goldstein & Fox P.L.L.C.

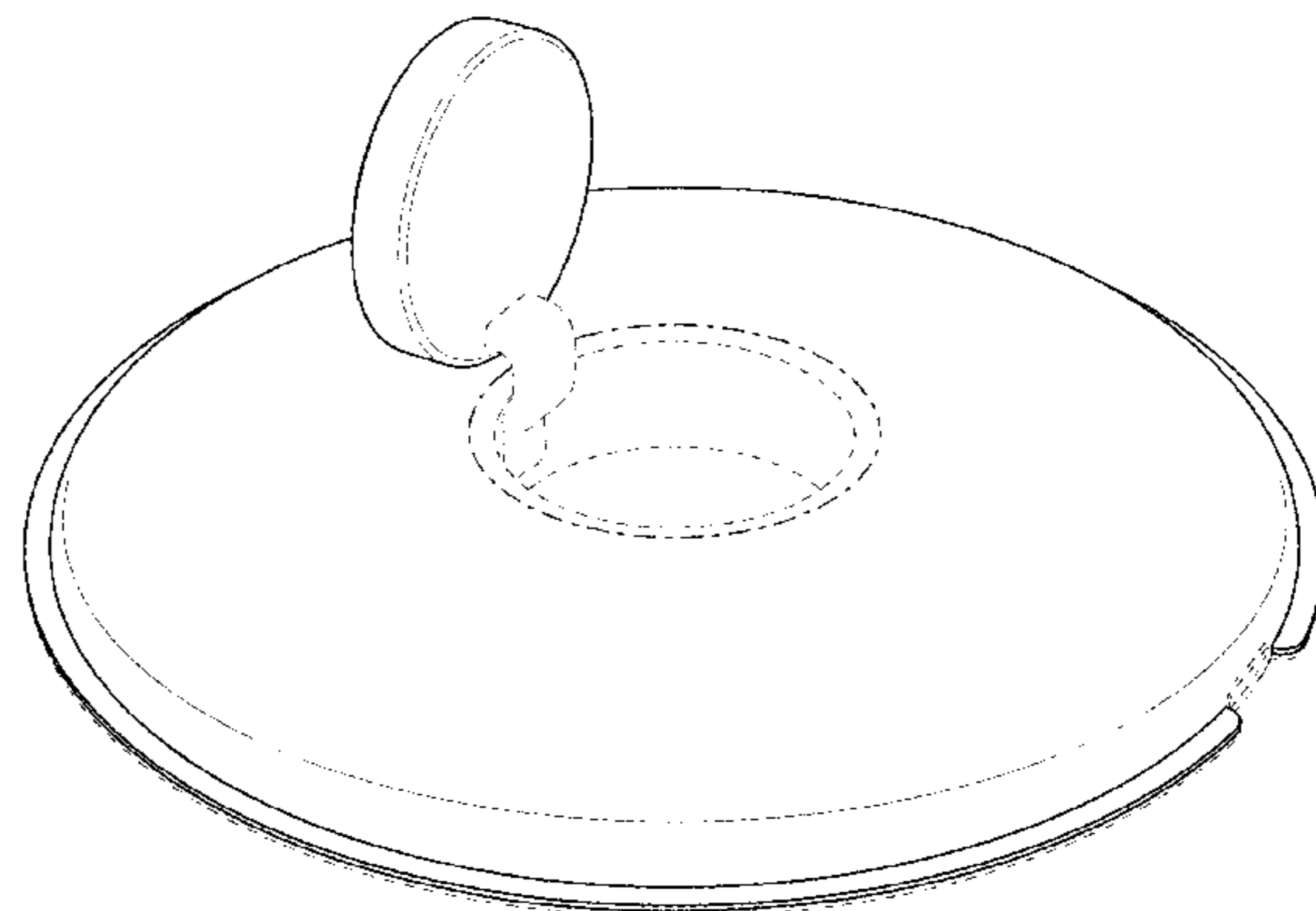
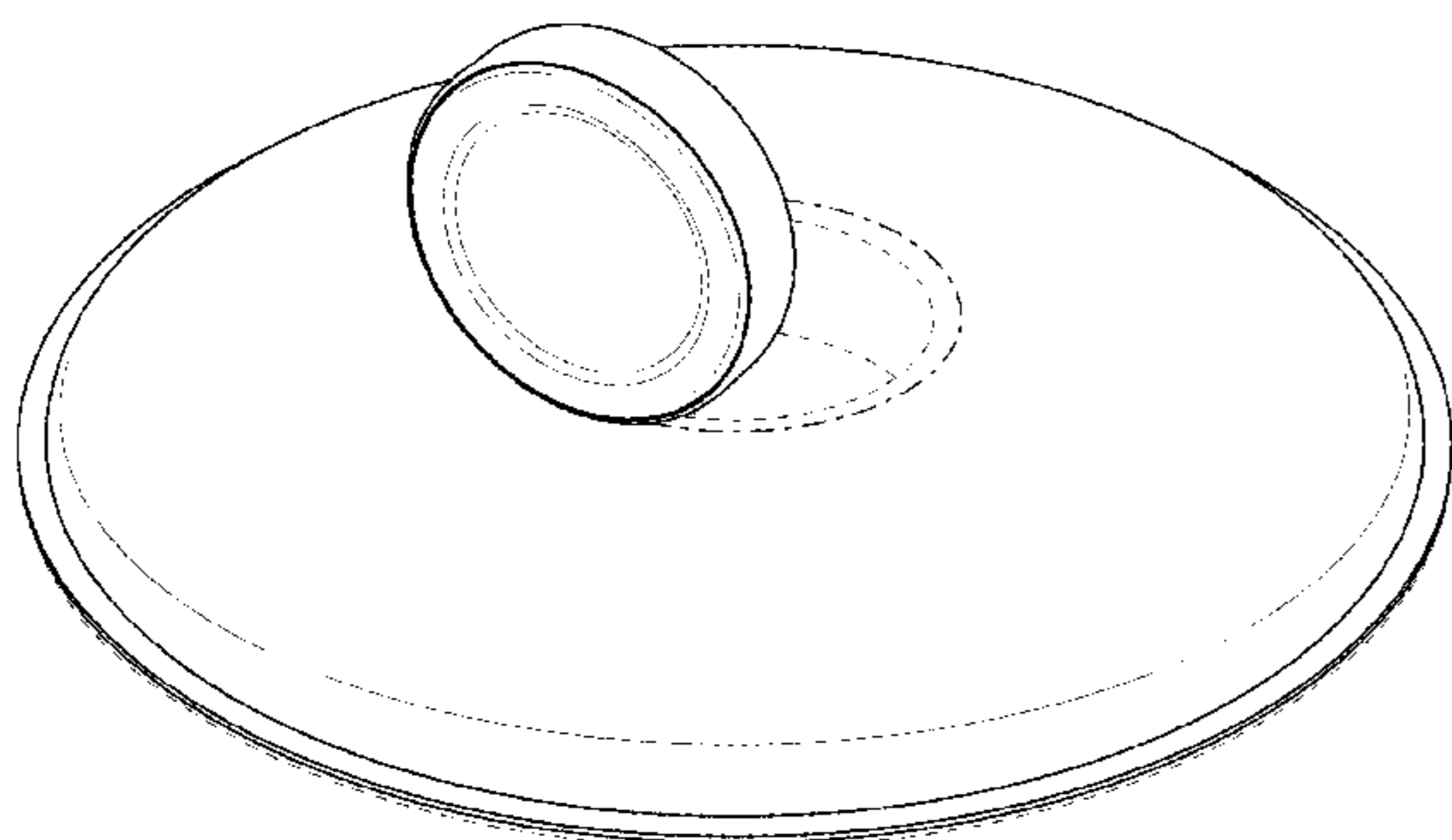
(57) **CLAIM**

The ornamental design for a charger, as shown and described.

**DESCRIPTION**

FIG. 1 is a top front perspective view of a charger showing the claimed design;  
FIG. 2 is a front view thereof;  
FIG. 3 is a rear view thereof;  
FIG. 4 is a left side view thereof;  
FIG. 5 is a right side view thereof;  
FIG. 6 is a top view thereof;  
FIG. 7 is a bottom view thereof;  
FIG. 8 is a top front perspective view thereof in an open state;  
FIG. 9 is a top rear perspective view thereof;  
FIG. 10 is a front view thereof;  
FIG. 11 is a rear view thereof;  
FIG. 12 is a left side view thereof;  
FIG. 13 is a right side view thereof;  
FIG. 14 is a top view thereof; and,  
FIG. 15 is a bottom view thereof.  
The broken lines in the figures show portions of the charger that form no part of the claimed design.

(Continued)



The dot dashed broken lines show boundaries that form no part of the claimed design.

**1 Claim, 11 Drawing Sheets**

**Related U.S. Application Data**

continuation of application No. 29/538,659, filed on Sep. 4, 2015, now Pat. No. Des. 795,183.

(58) **Field of Classification Search**

CPC ..... Y02E 60/12; Y02T 90/14; Y02T 90/122; Y02T 90/128; Y02T 90/163; H02J 7/025; H02J 7/0042; H02J 7/0044; H02J 7/0045; H02J 7/0003; H01F 38/14; H01R 13/6675; H01M 2/1022; H01M 2/1055; H01M 10/44; H01M 10/46; H01M 10/425; B60L 11/182

See application file for complete search history.

(56) **References Cited**

U.S. PATENT DOCUMENTS

D433,994 S 11/2000 Jobs et al.  
 D461,813 S 8/2002 Chang  
 D523,750 S 6/2006 Lee et al.  
 D531,159 S \* 10/2006 Park ..... D14/203.3  
 D533,063 S 12/2006 Lee et al.  
 D598,018 S \* 8/2009 Sumii ..... D14/301  
 D599,241 S 9/2009 Andre et al.  
 D600,206 S \* 9/2009 Ledbetter ..... D13/110  
 D620,884 S 8/2010 Lee et al.  
 D625,262 S 10/2010 Lee et al.  
 D640,976 S 7/2011 Matsuoka  
 D643,844 S 8/2011 Akana et al.  
 D654,431 S 2/2012 Stephanchick et al.  
 D659,093 S 5/2012 Schmid et al.  
 D661,668 S \* 6/2012 Rose ..... D13/184  
 D662,939 S 7/2012 Akana et al.  
 D673,110 S 12/2012 Sasada et al.  
 D687,772 S 8/2013 Chikos et al.  
 D694,182 S 11/2013 Lee et al.  
 D697,027 S 1/2014 Ho  
 D697,510 S 1/2014 Sato et al.

D701,831 S 4/2014 Park et al.  
 D704,634 S 5/2014 Eidelman et al.  
 D705,815 S 5/2014 Green  
 D706,212 S 6/2014 Zwierstra et al.  
 D718,233 S 11/2014 Aumiller et al.  
 D718,234 S 11/2014 Rautiainen  
 D718,236 S 11/2014 Murray  
 D718,712 S 12/2014 Aumiller et al.  
 D718,762 S \* 12/2014 Aarrestad ..... D14/149  
 D720,289 S 12/2014 Chiang et al.  
 D722,983 S \* 2/2015 Paredes ..... D13/168  
 D725,034 S 3/2015 Chen  
 D727,260 S 4/2015 Aumiller et al.  
 D735,131 S 7/2015 Akana et al.  
 D741,256 S 10/2015 Murphy-Reinhertz et al.  
 D742,770 S \* 11/2015 Windstrup ..... D10/106.7  
 D743,954 S \* 11/2015 Chuang ..... D13/168  
 D746,772 S \* 1/2016 Aumiller ..... D13/108  
 D747,267 S 1/2016 Aumiller et al.  
 D749,044 S 2/2016 Huang  
 D756,216 S 5/2016 El-Debs et al.  
 D757,010 S 5/2016 Kang et al.  
 D757,014 S 5/2016 Hahn et al.  
 D765,084 S 8/2016 Akana et al.  
 D768,015 S \* 10/2016 Yang ..... D10/118.2  
 D772,813 S 11/2016 Wahl  
 D777,103 S 1/2017 Park  
 D781,266 S 3/2017 Ahn et al.  
 D782,973 S 4/2017 Zhou  
 D784,259 S 4/2017 Huang et al.  
 D786,193 S 5/2017 Akana et al.  
 D786,791 S \* 5/2017 Jeong ..... D13/108  
 D789,293 S 6/2017 Toiviainen et al.  
 D794,556 S 8/2017 Liao  
 D794,557 S 8/2017 Kim  
 D795,182 S 8/2017 Akana et al.  
 D795,183 S 8/2017 Akana et al.  
 D797,667 S 9/2017 Park et al.  
 D798,807 S 10/2017 Shi et al.  
 D800,068 S 10/2017 Kim  
 D802,529 S 11/2017 Andersson  
 D807,825 S \* 1/2018 Miller ..... D13/133  
 D812,563 S \* 3/2018 Akana ..... D13/108  
 2009/0134838 A1 5/2009 Raghuprasad  
 2012/0104999 A1 5/2012 Teggatz et al.  
 2014/0117926 A1 5/2014 Hwu et al.  
 2015/0091500 A1 4/2015 Claudepierre

\* cited by examiner

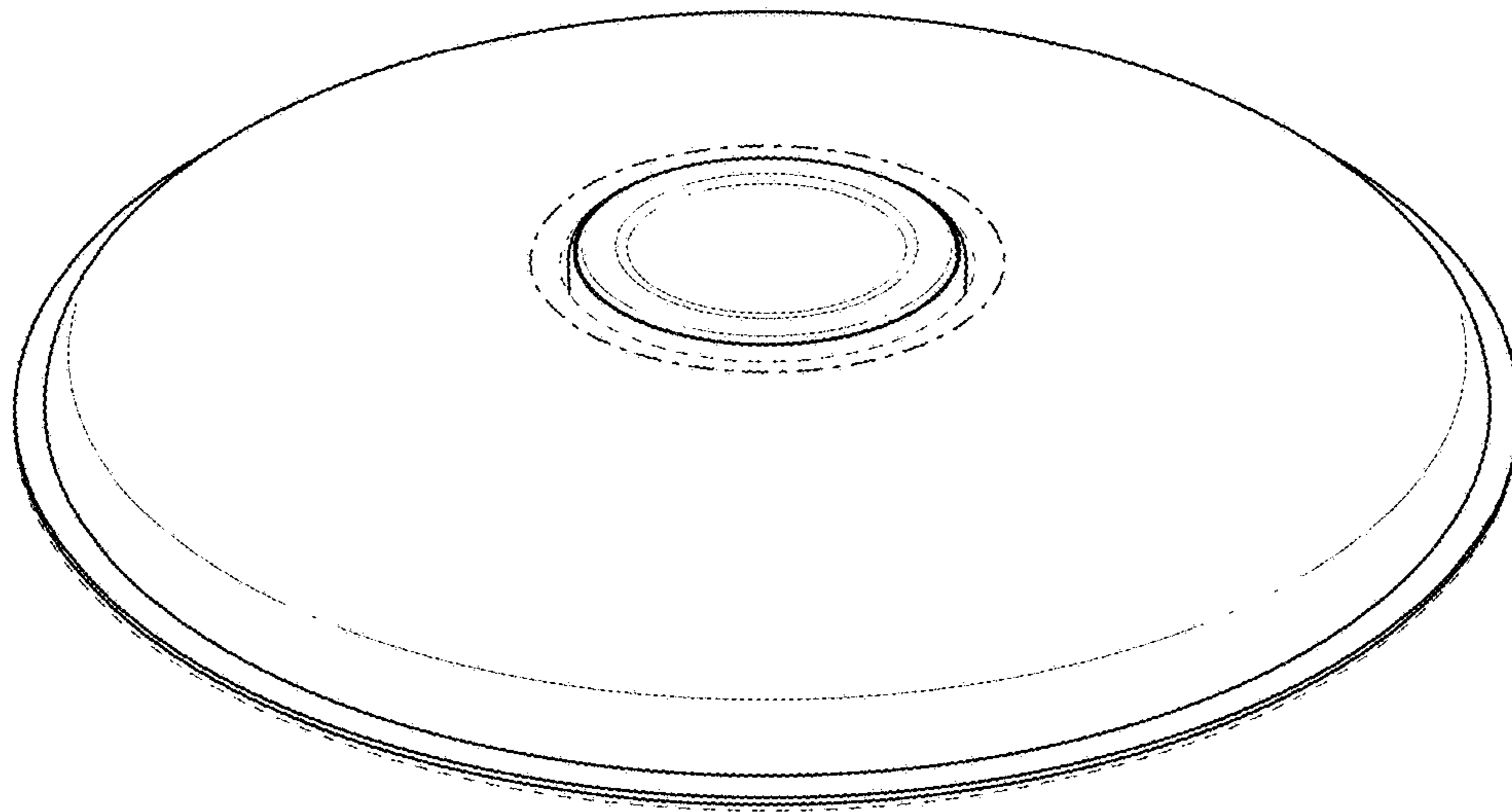


FIG. 1

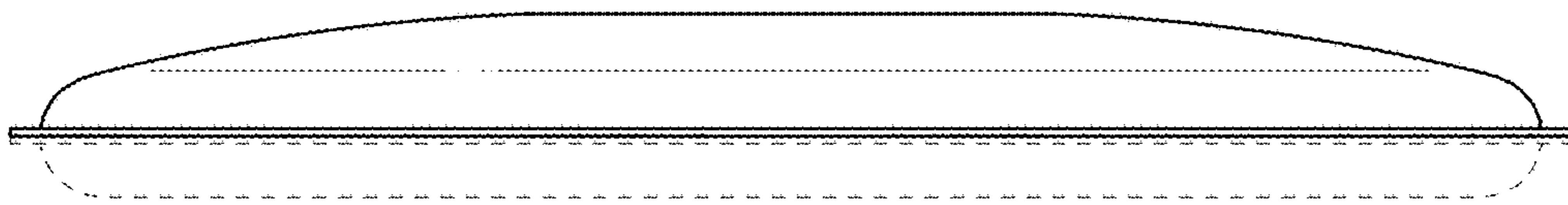


FIG. 2

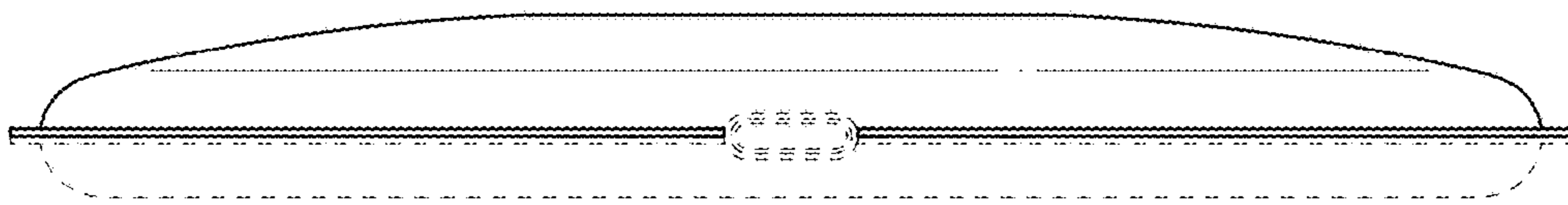


FIG. 3

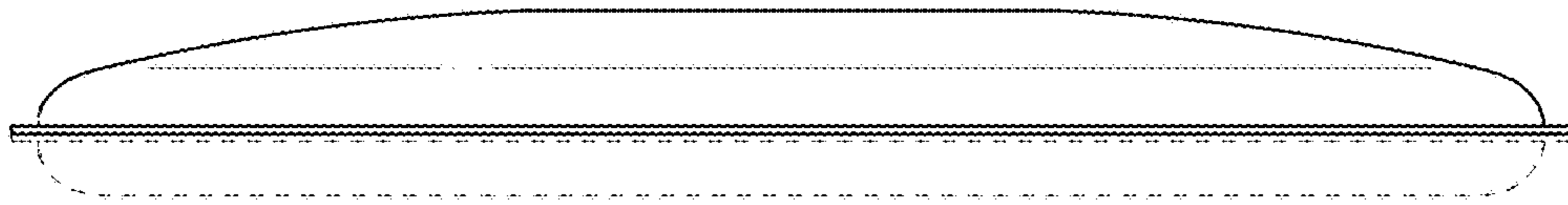


FIG. 4

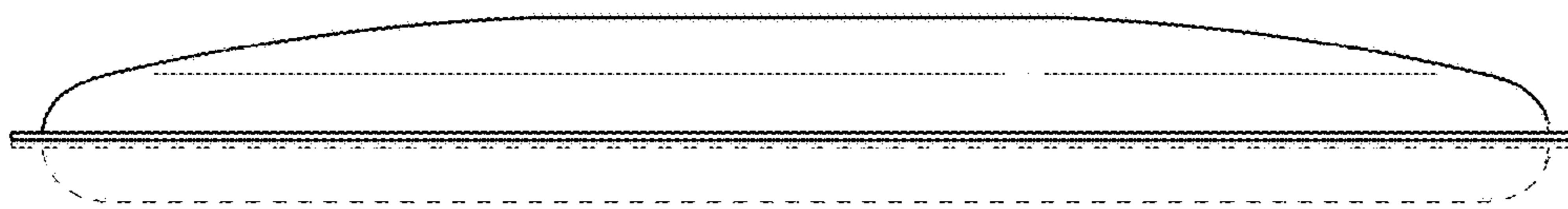


FIG. 5



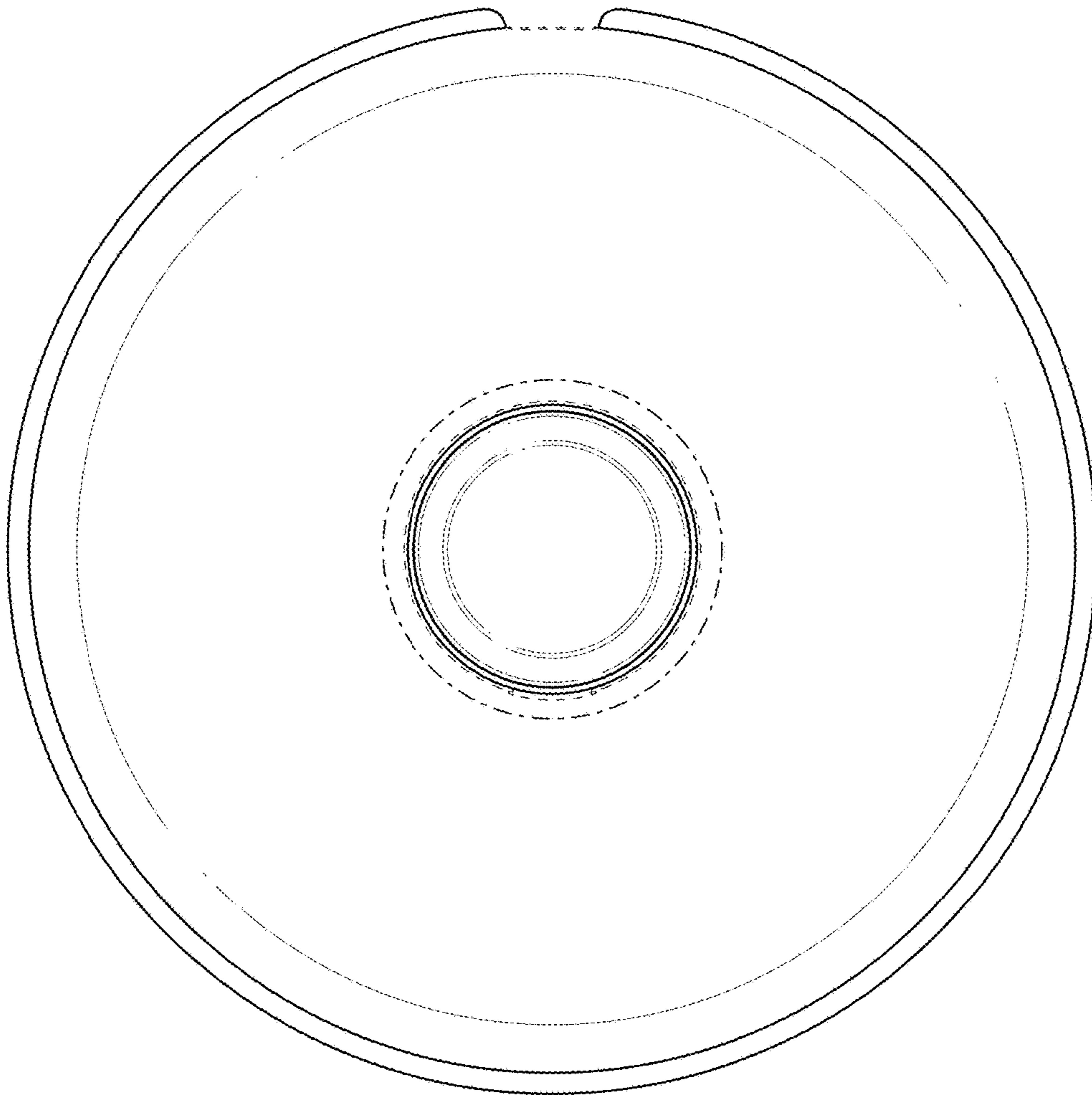


FIG. 6

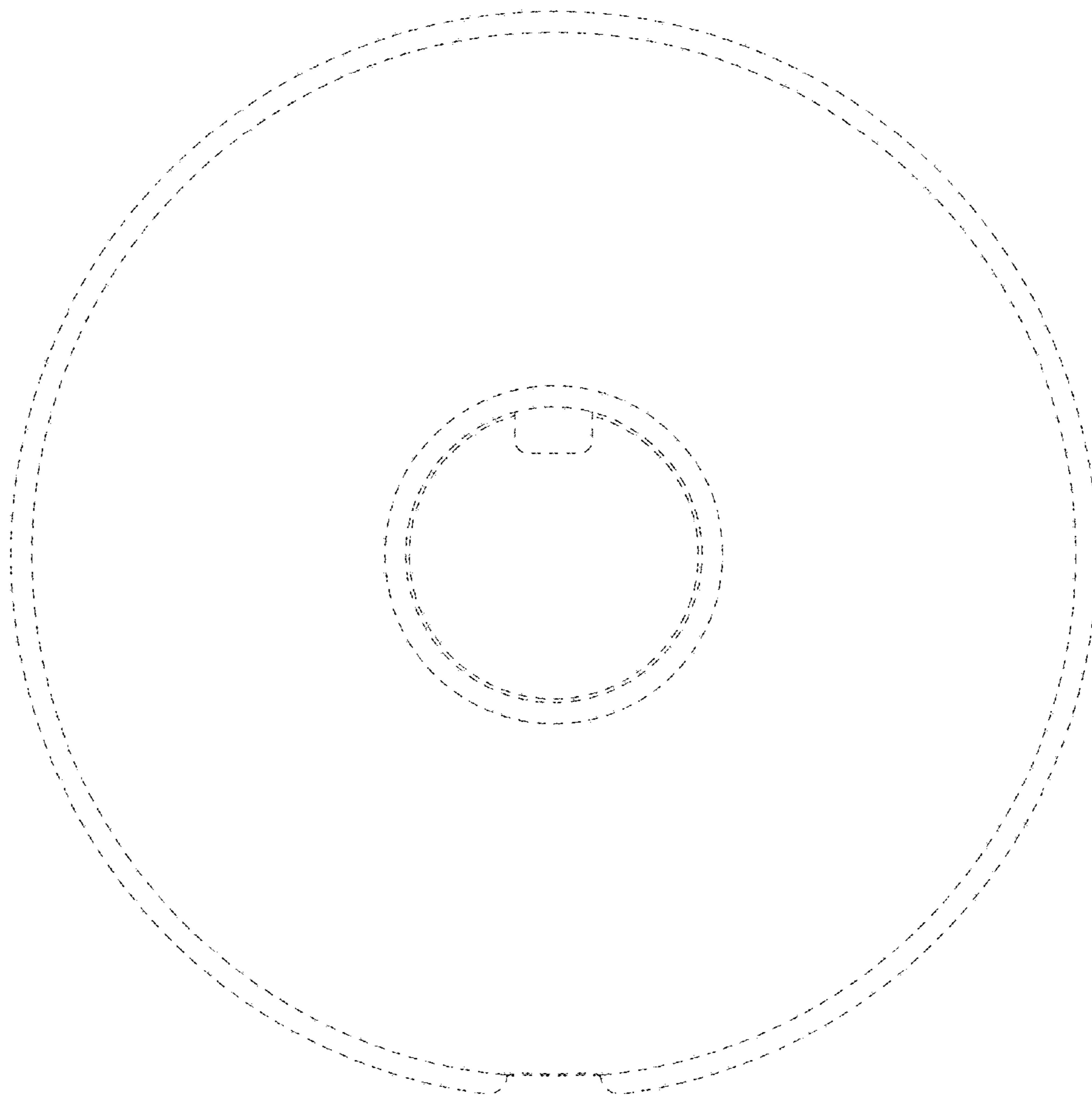


FIG. 7

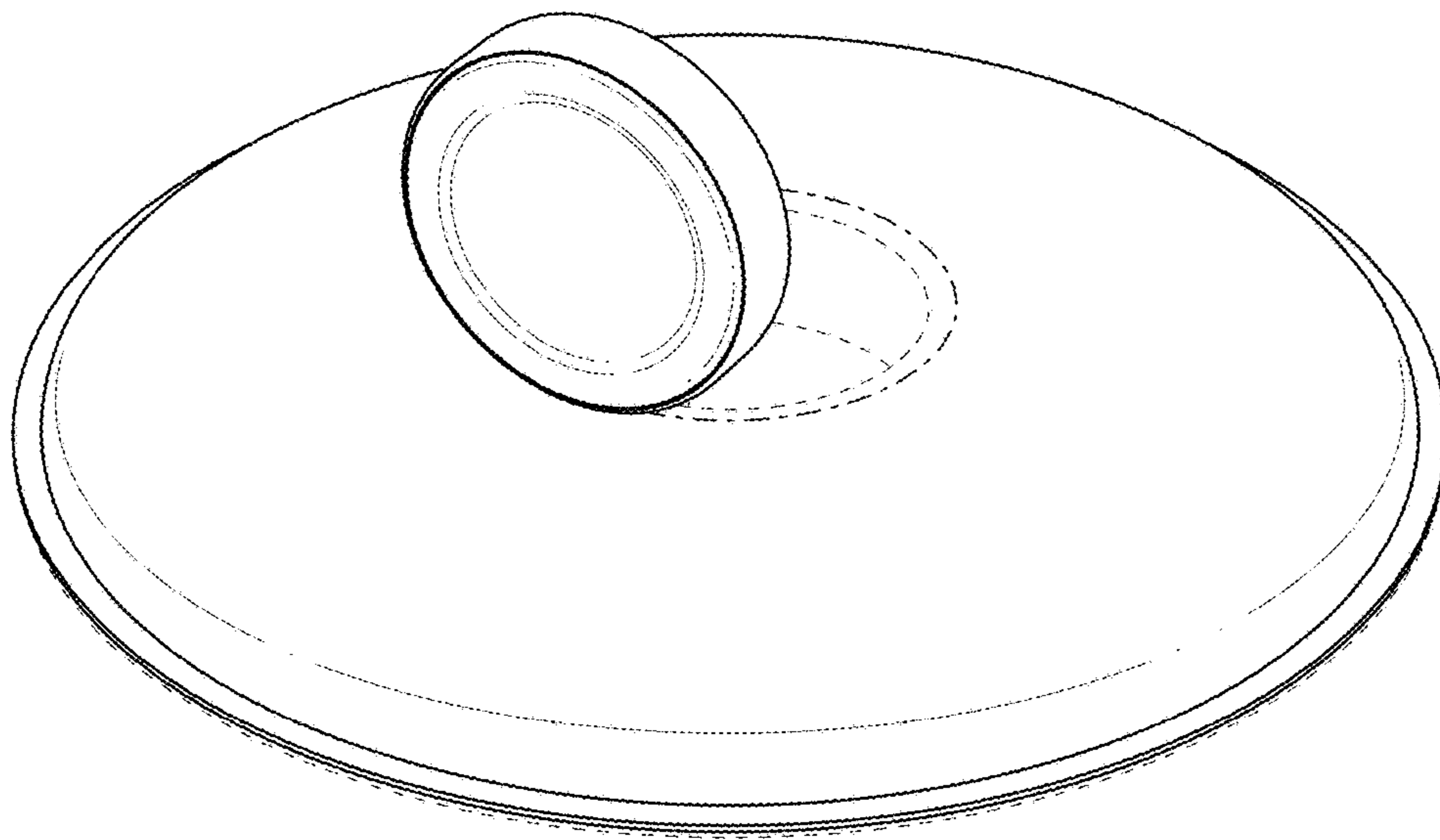


FIG. 8



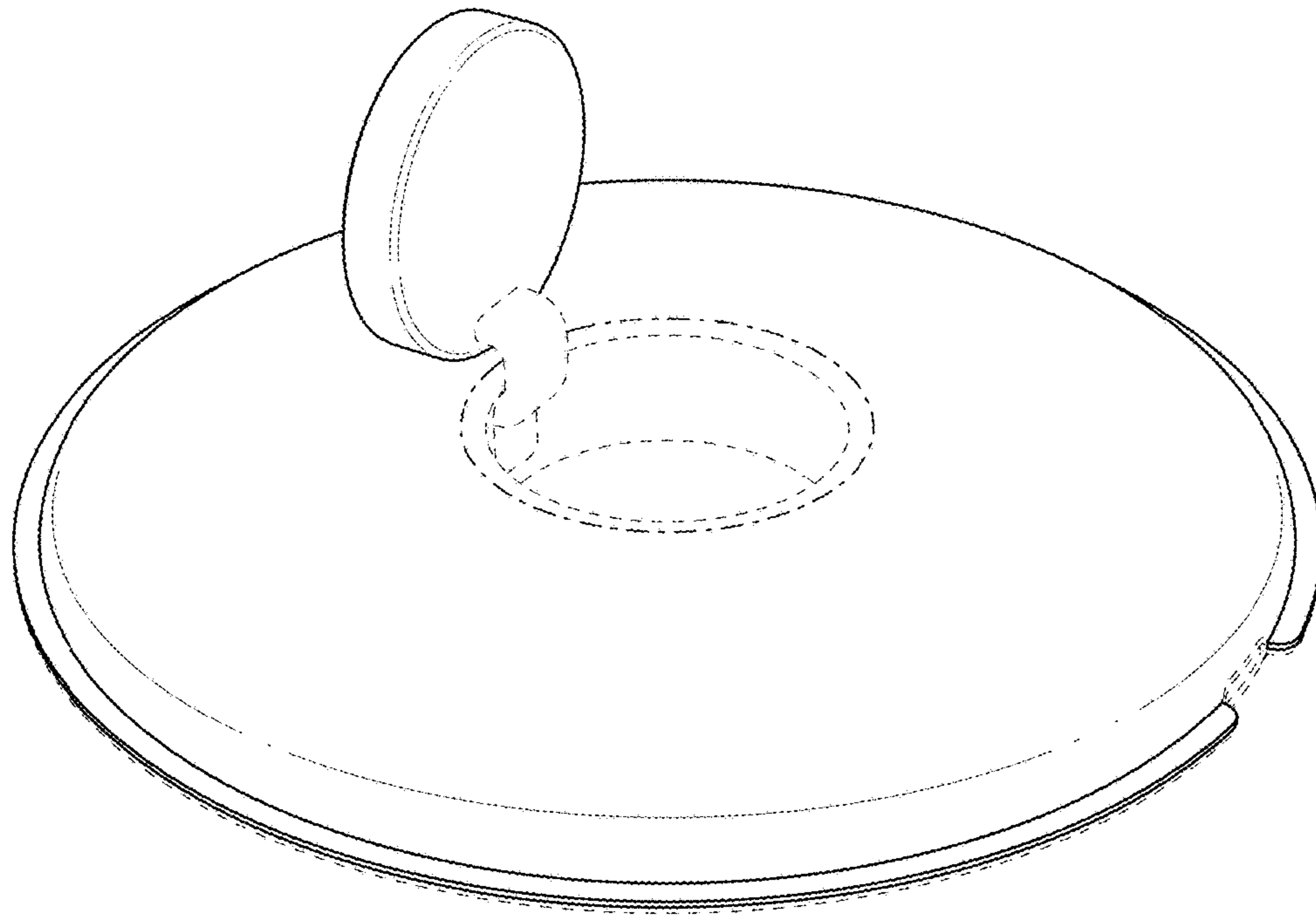


FIG. 9

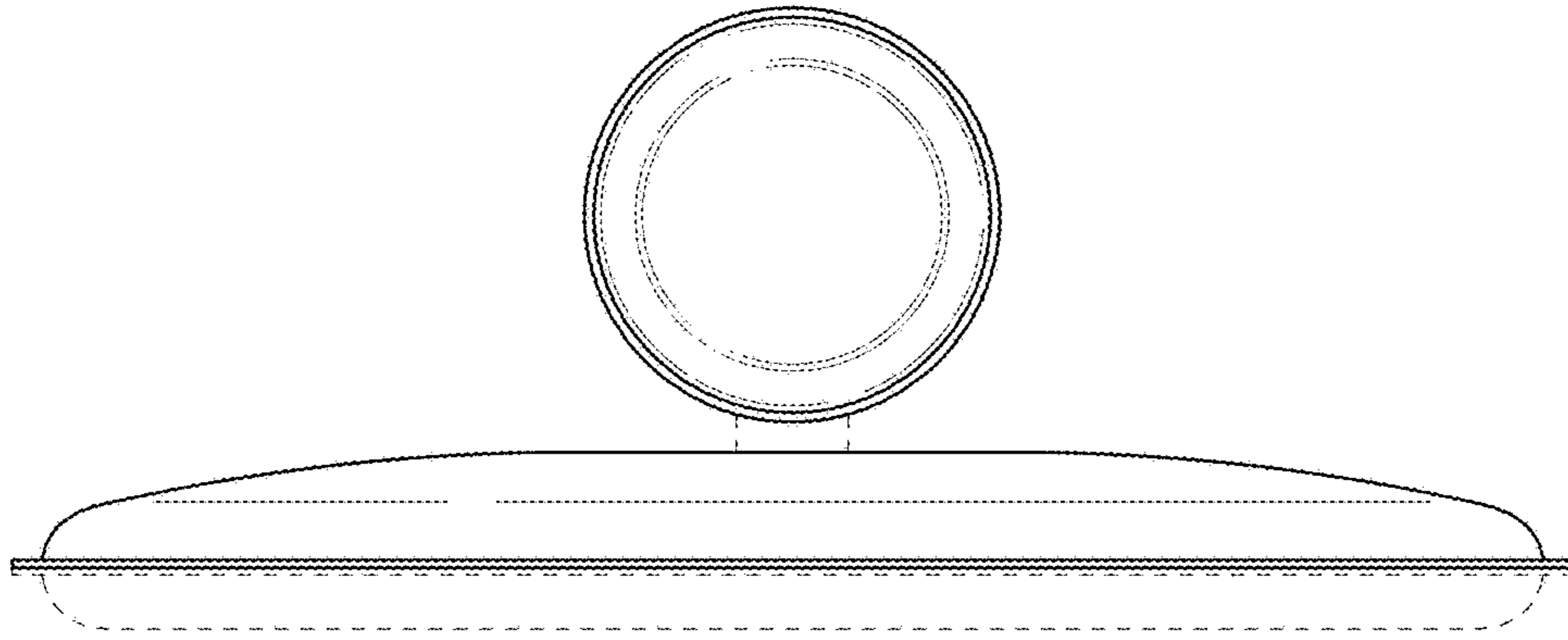


FIG. 10

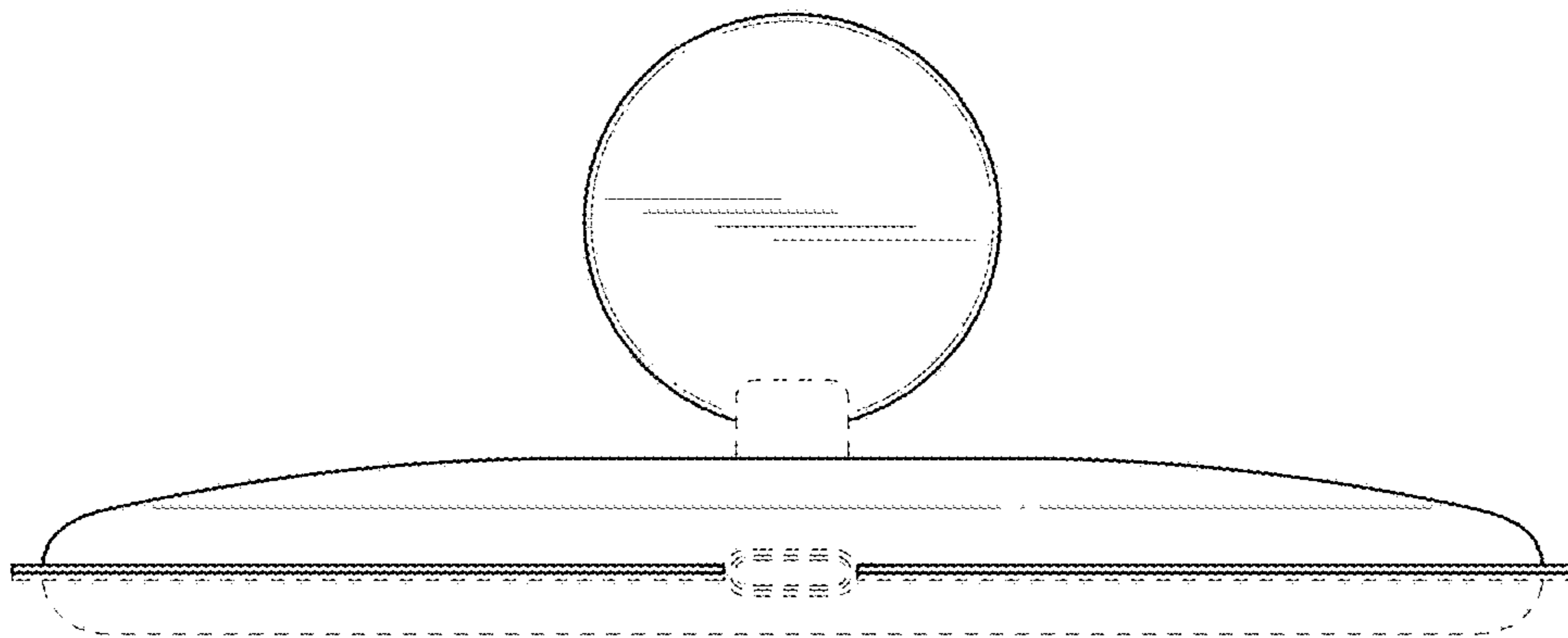


FIG. 11

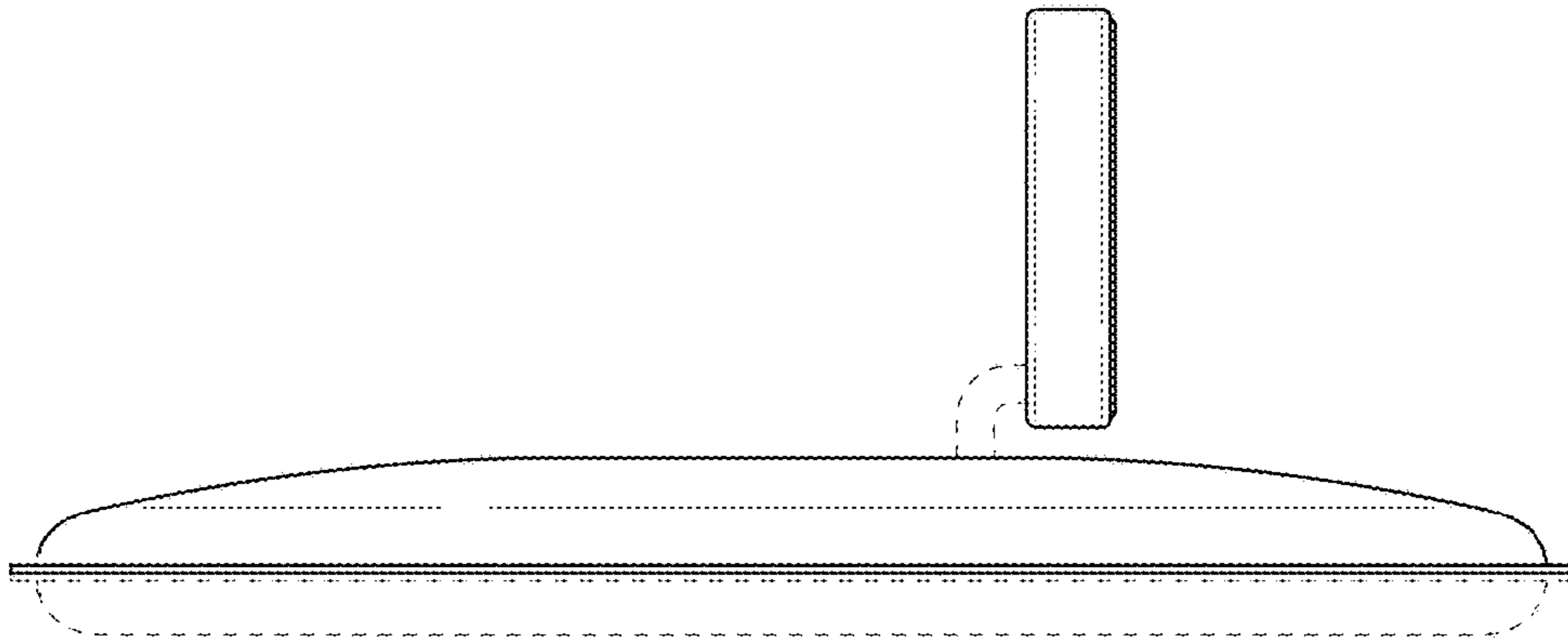


FIG. 12

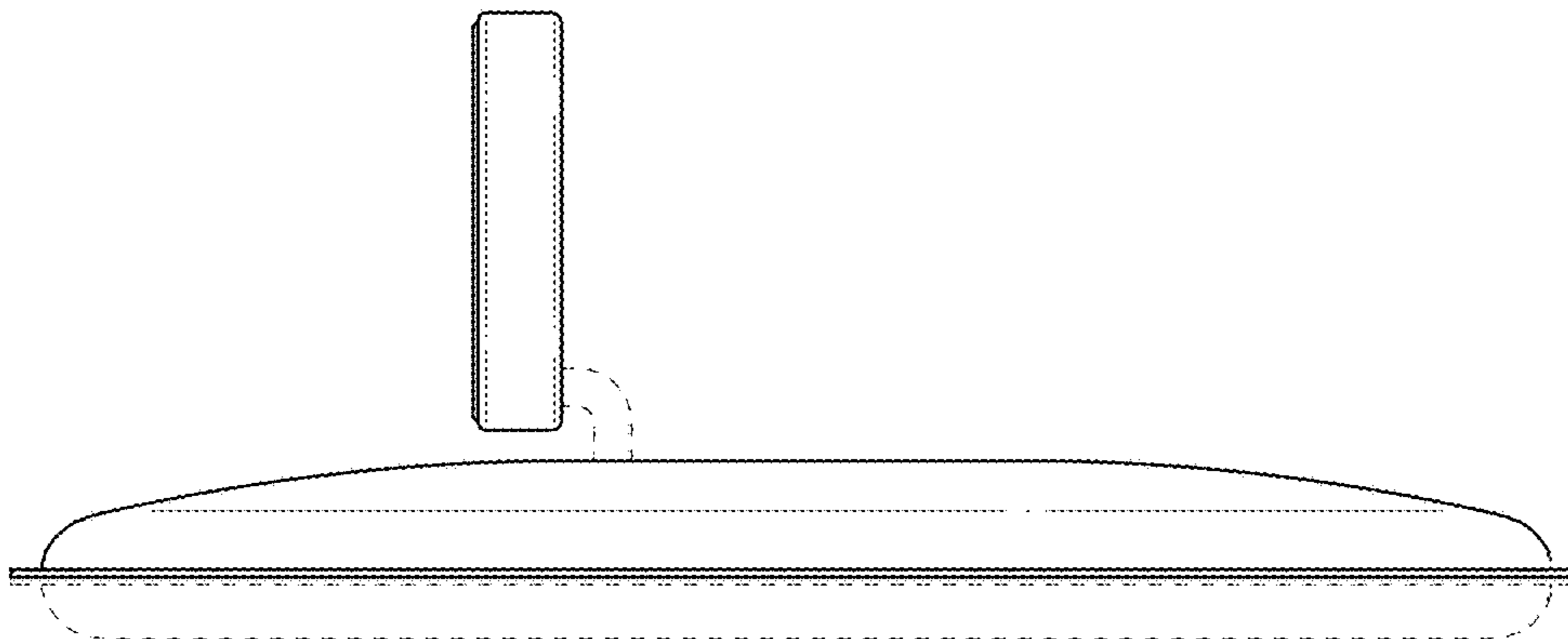


FIG. 13

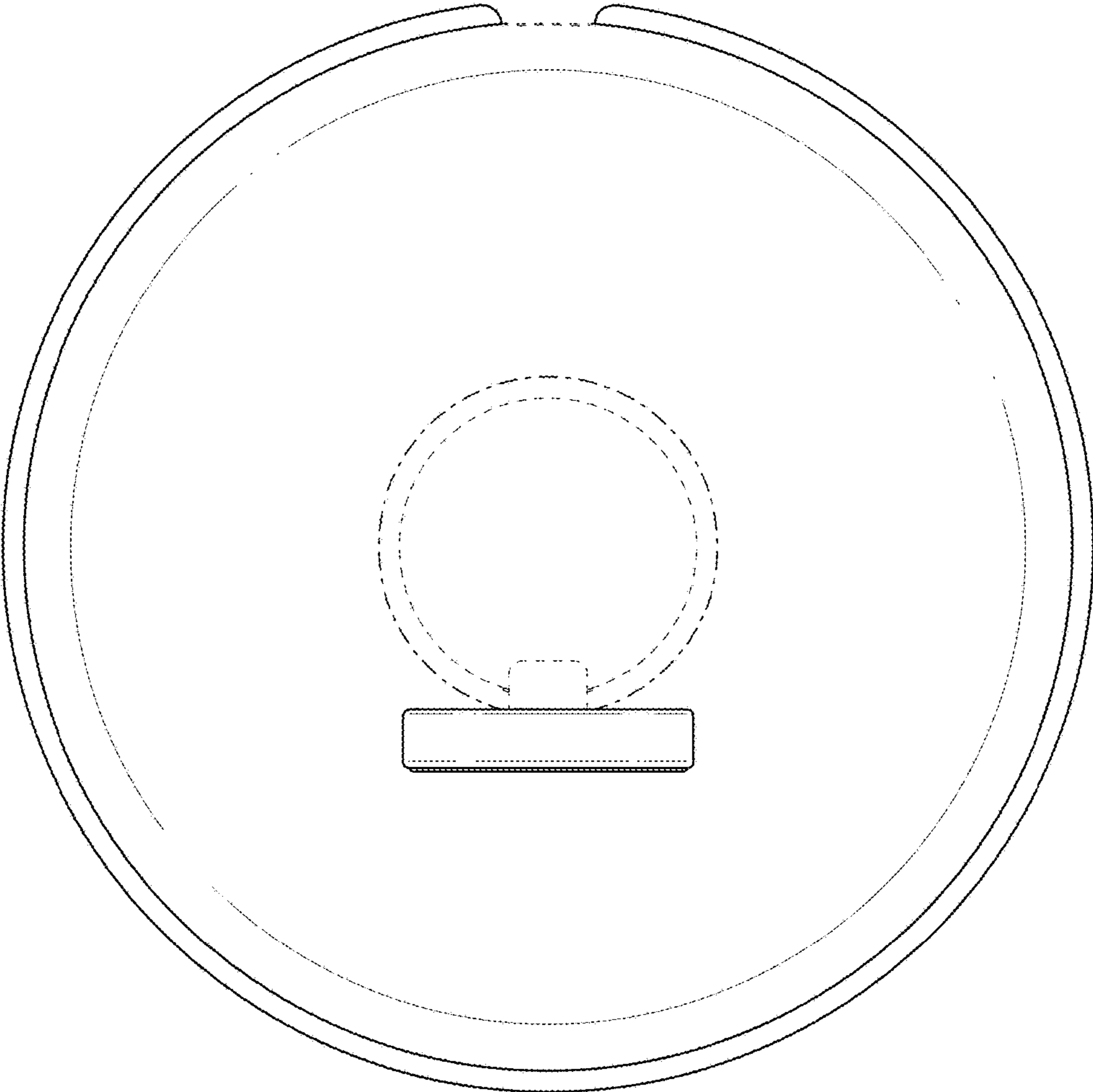
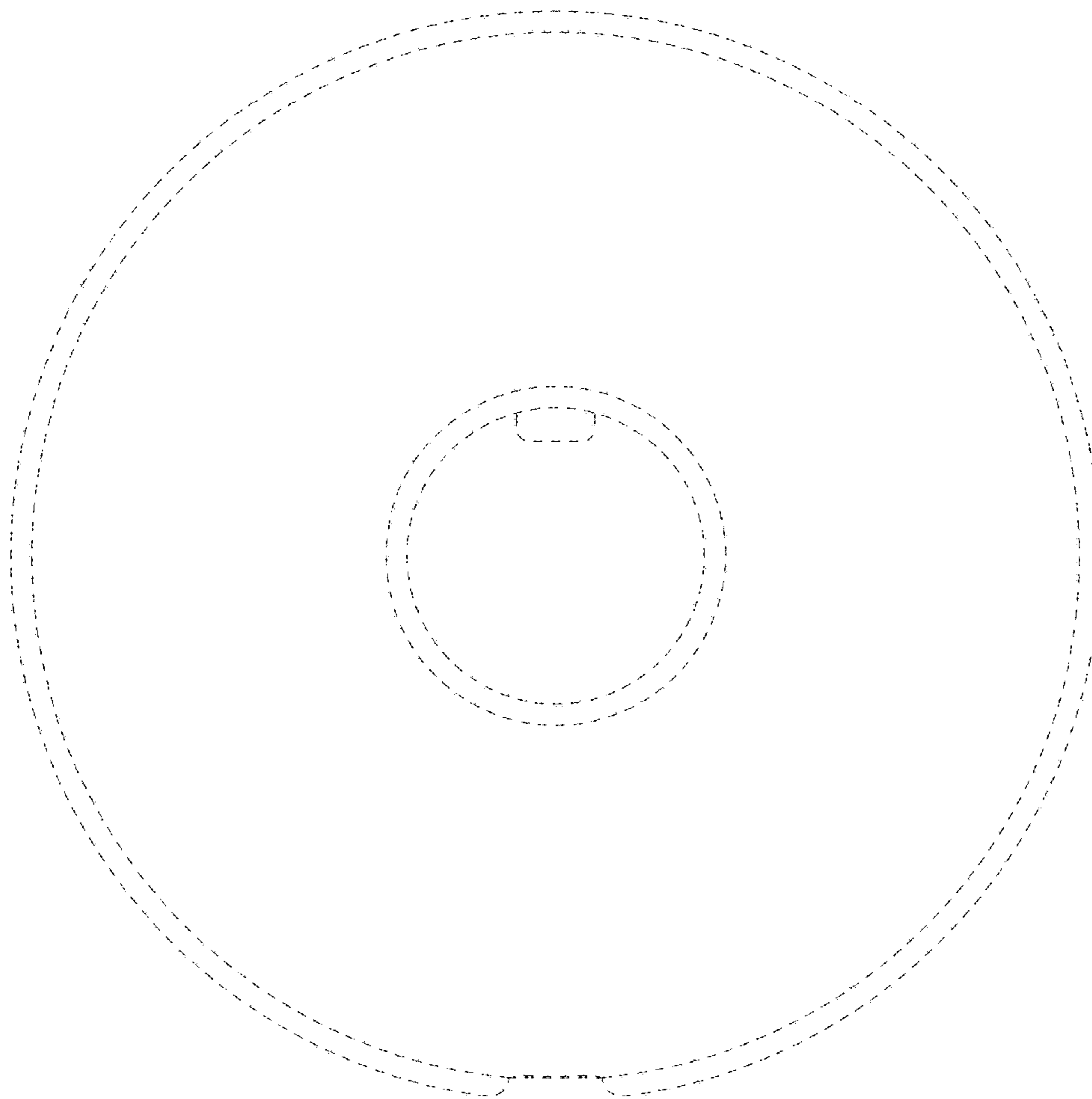


FIG. 14



**FIG. 15**