



US00D839190S

(12) **United States Design Patent**
Xie

(10) **Patent No.:** **US D839,190 S**
(45) **Date of Patent:** **** Jan. 29, 2019**

(54) **CHARGING STAND FOR ELECTRONIC DEVICES**

(71) Applicant: **Yulin Xie**, Guangdong (CN)

(72) Inventor: **Yulin Xie**, Guangdong (CN)

(**) Term: **15 Years**

(21) Appl. No.: **29/632,357**

(22) Filed: **Jan. 8, 2018**

(51) **LOC (11) Cl.** **13-02**

(52) **U.S. Cl.**
USPC **D13/108**

(58) **Field of Classification Search**
USPC D13/103, 107-110, 118, 119, 184, 106;
D14/251, 253, 432, 434; D15/9
CPC Y02E 60/12; Y02T 90/14; Y02T 90/122;
Y02T 90/128; Y02T 90/163; Y02T
10/7005; Y02T 10/705; Y02T 10/7088;
H02J 7/025; H02J 7/0042; H02J 7/0044;
H02J 7/0045; H02J 7/0003; H02J
2001/008; H02J 3/32; H02J 3/008; H02J
7/0027; H02J 7/0013; H02J 7/0054; H02J
7/00; H02J 7/0034; H02J 7/1423; H01F
38/14; H01R 13/6675; H01M 2/1022;
H01M 2/1055; H01M 10/44; H01M
10/46; H01M 10/425; B60L 11/182;
B60L 11/1809; B60L 11/1861; B60R
16/03

See application file for complete search history.

(56) **References Cited**

U.S. PATENT DOCUMENTS

D501,205 S	1/2005	Quinn	
D594,407 S *	6/2009	Chon	D13/108
D597,939 S *	8/2009	Tkachuk	D13/108
D610,084 S	2/2010	Christopher	
D681,625 S *	5/2013	Zehner	D14/253
D882,200	5/2013	Rautiainen	
D705,158 S *	5/2014	Gengler	D13/107

D708,574 S	7/2014	Gieniec et al.	
D759,588 S	6/2016	De Klein	
D760,214 S *	6/2016	Kemper	D14/253
D763,263 S *	8/2016	Wierenga	D14/434
D772,216 S *	11/2016	Lau	D13/108
D780,186 S *	2/2017	Lee	D14/253
D782,411 S	3/2017	Mischke et al.	
D788,699 S	6/2017	Hoehn	
D789,294 S	6/2017	Yue et al.	
D789,885 S	6/2017	Yue et al.	
D798,808 S	10/2017	Ptok et al.	
D806,712 S *	1/2018	Cebe	D14/434

(Continued)

OTHER PUBLICATIONS

Amazon.com: YoFeW Apple Watch Stand. Published Apr. 27, 2017. Retrieved from the internet at <<https://www.amazon.com/YoFeW-Aluminum-Charger-Accessories-Charging/dp/B0752D3PXP/>>, Mar. 17, 2018. 1 page. (Year: 2017).*

(Continued)

Primary Examiner — Rosemary K Tarcza
Assistant Examiner — Christy M Nemeth

(57) **CLAIM**

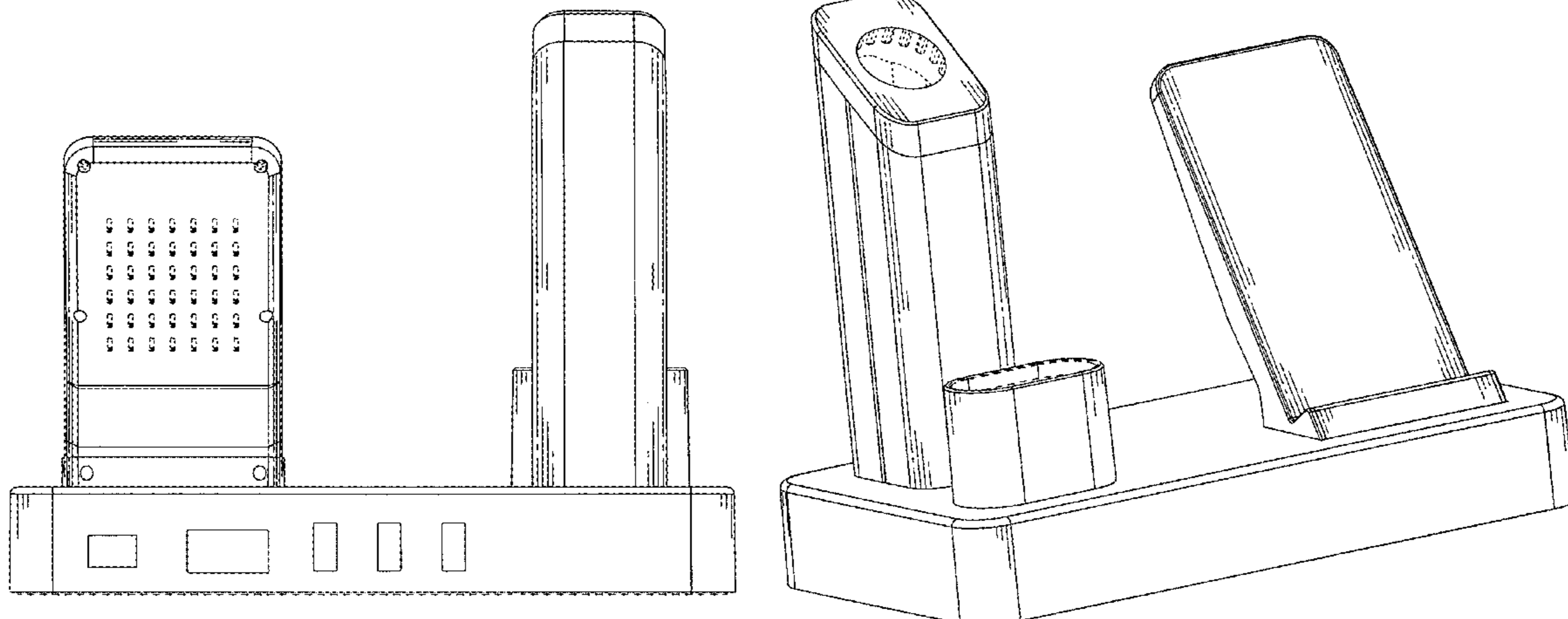
The ornamental design for a charging stand for electronic devices, as shown and described.

DESCRIPTION

FIG. 1 is a front elevational view of a charging stand for electronic devices showing my new design; FIG. 2 is a rear elevational view thereof; FIG. 3 is a left side elevational view thereof; FIG. 4 is a right side elevational view thereof; FIG. 5 is a top plan view thereof; FIG. 6 is a bottom plan view thereof; and, FIG. 7 is a perspective view thereof.

The broken lines shown in drawings are for the purpose of illustrating portions of the charging stand for electronic devices and form no part of the claimed design.

1 Claim, 7 Drawing Sheets



(56)

References Cited

U.S. PATENT DOCUMENTS

D810,678 S * 2/2018 Choi D13/107
D812,564 S * 3/2018 Feng D13/108
2016/0195898 A1* 7/2016 Lau H04M 1/04
361/679.41
2017/0208697 A1* 7/2017 Kurian H05K 5/0217

OTHER PUBLICATIONS

Forums.imore.com: Best third party chargers and charging stands for Apple Watch Series 2. Published Oct. 6, 2016. Retrieved from the internet at <<https://forums.imore.com/apple-watch-series-2/374923-best-third-party-chargers-charging-stands-apple-watch-series-2-a.html>>, Mar. 17, 2018. 1 page. (Year: 2016).*

* cited by examiner

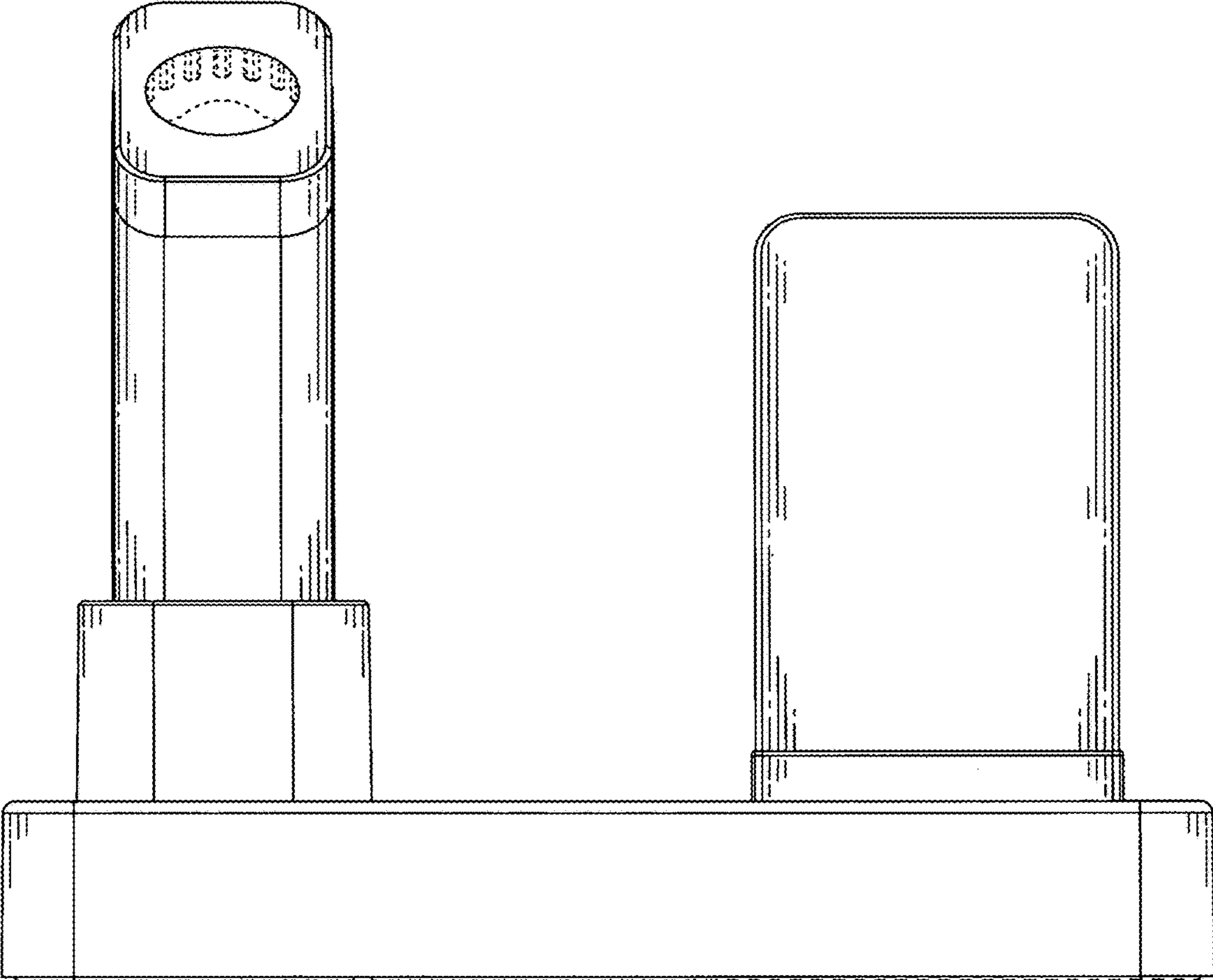


FIG.1

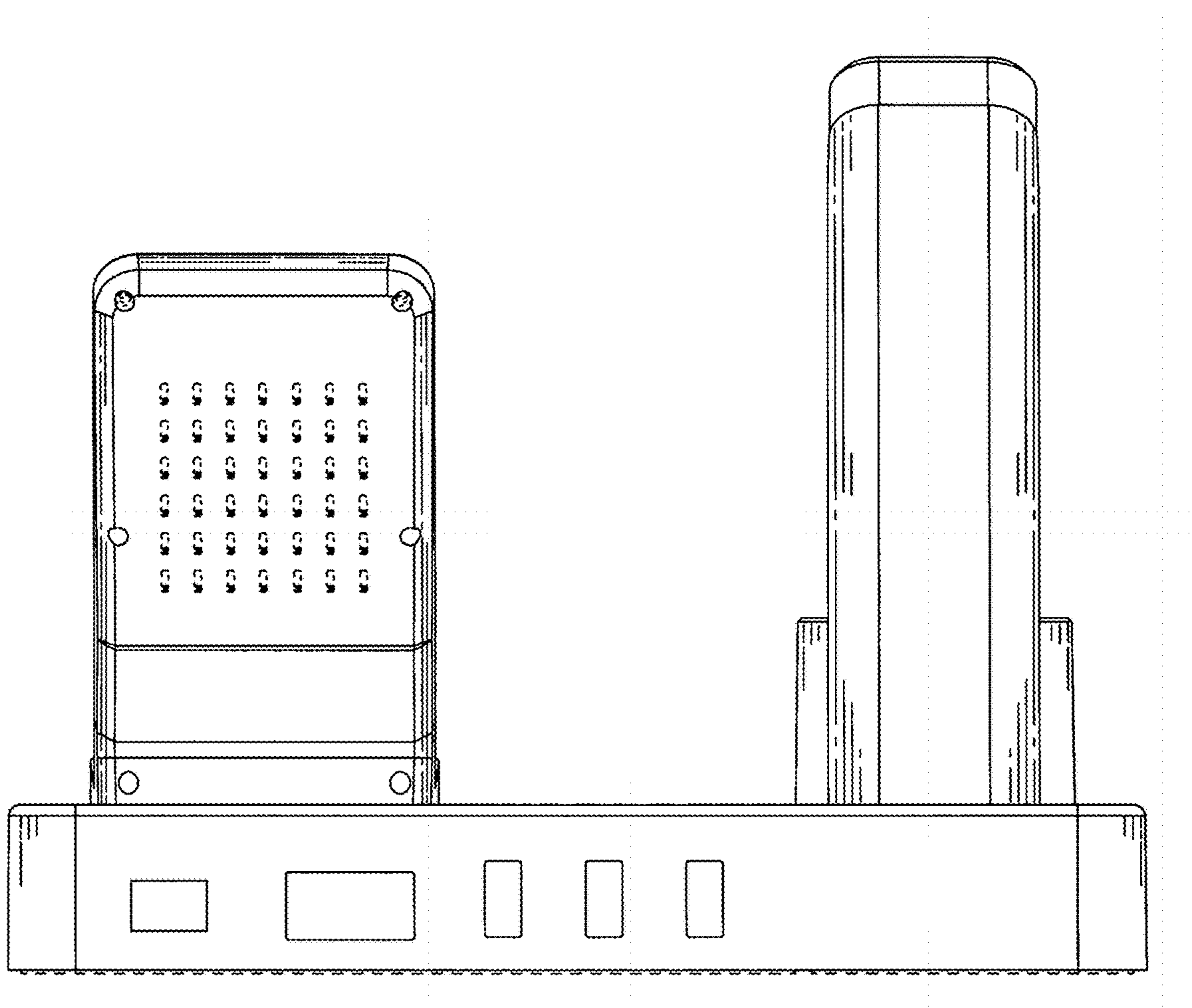


FIG.2

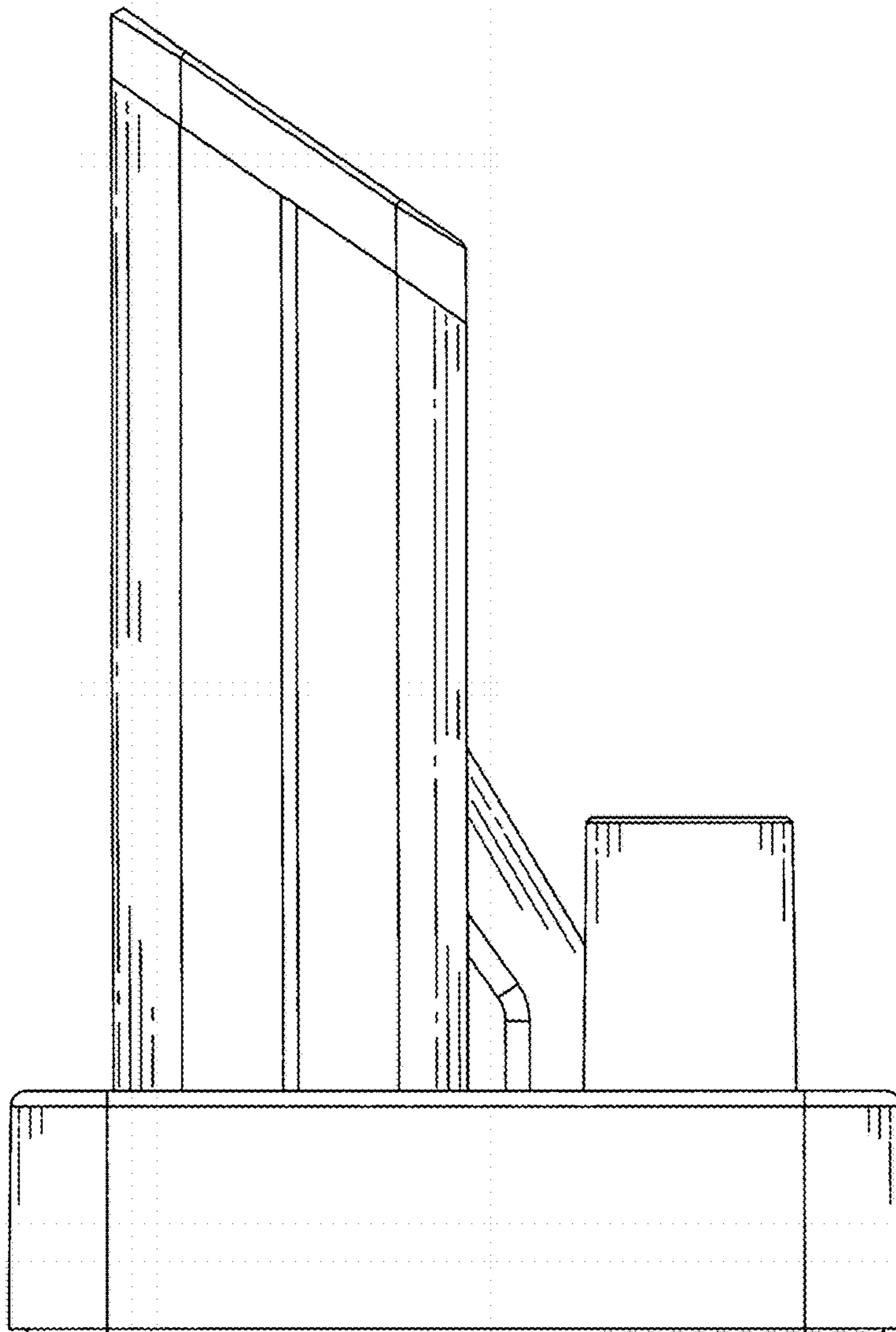


FIG.3

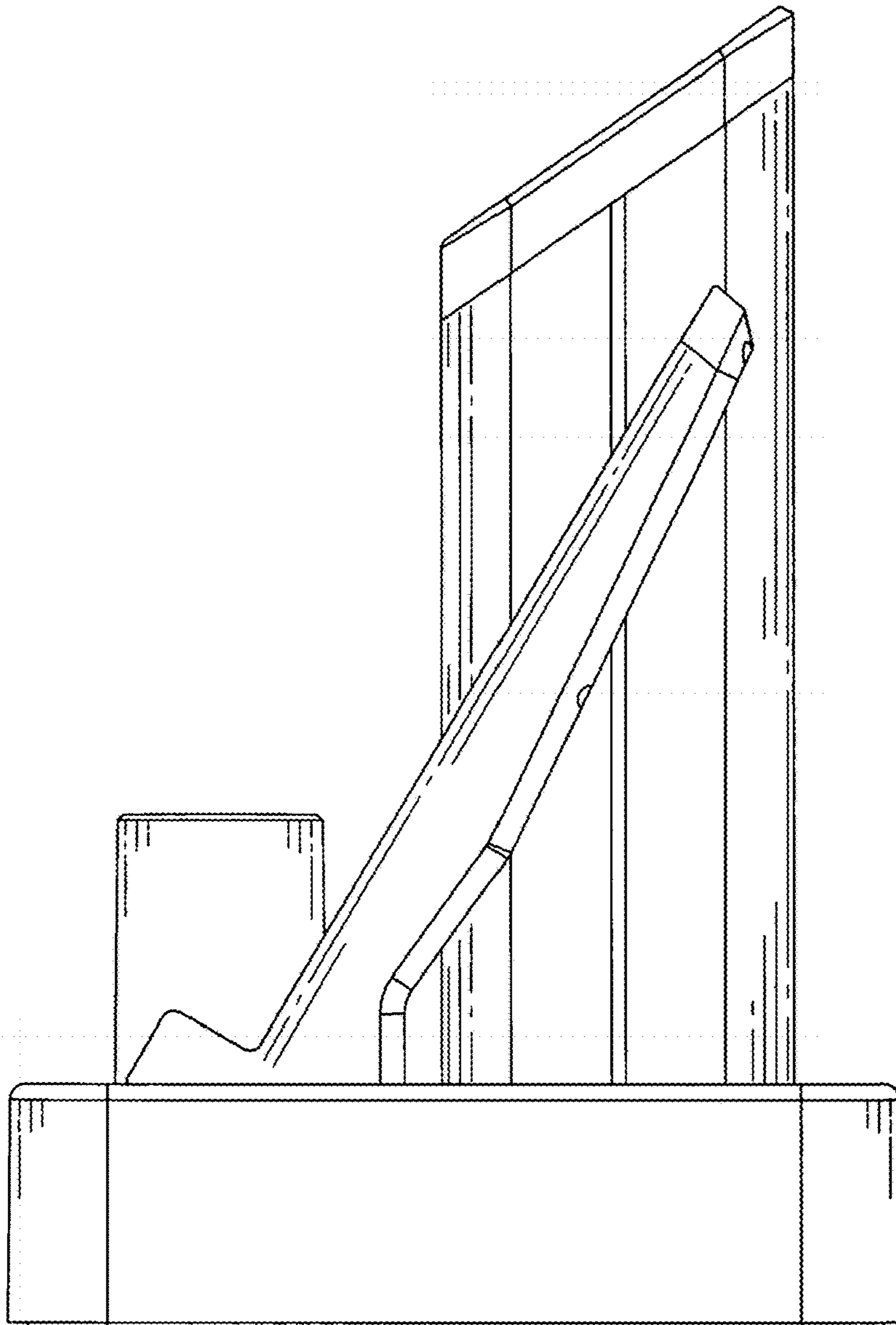


FIG.4

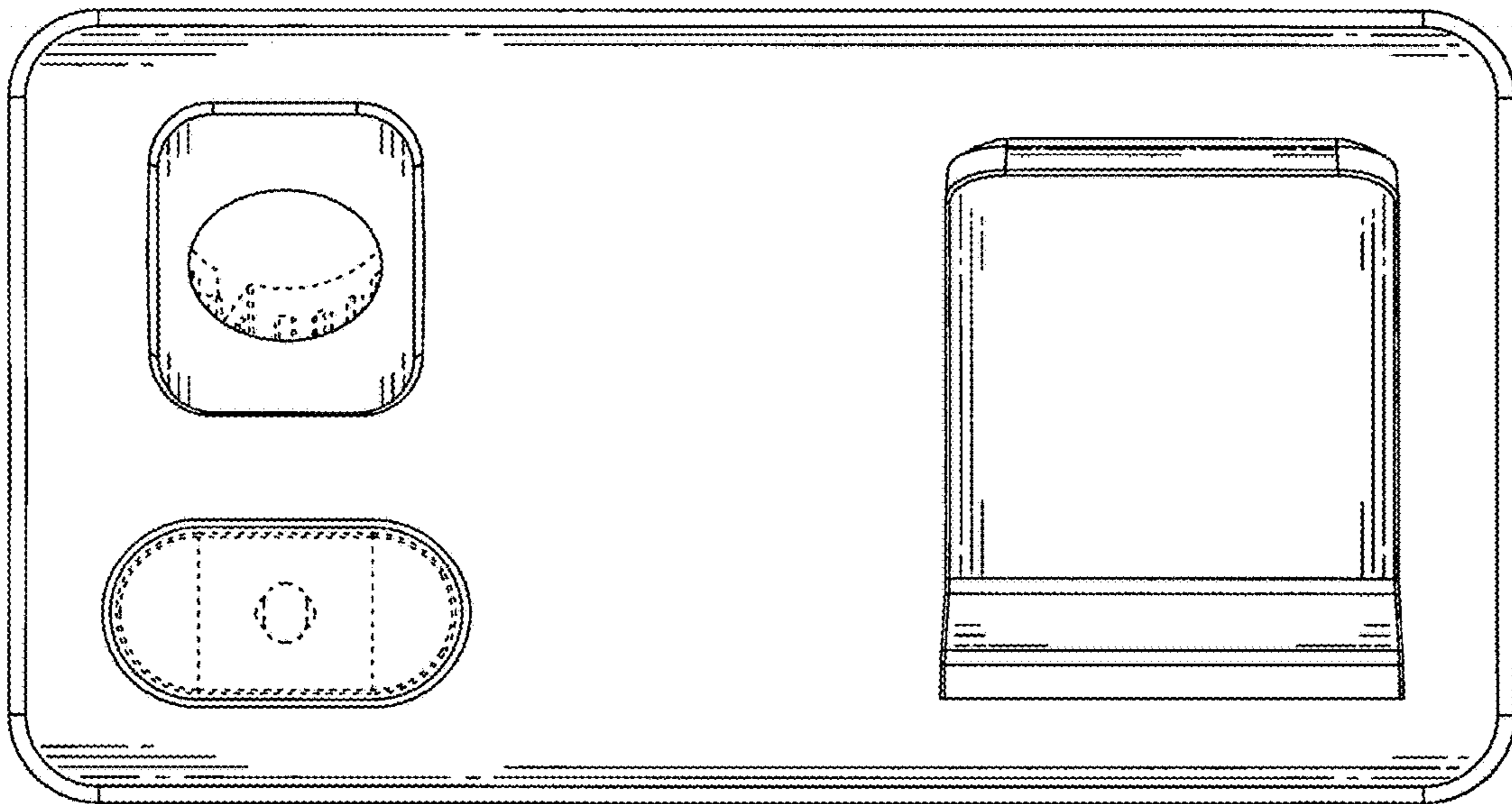


FIG. 5

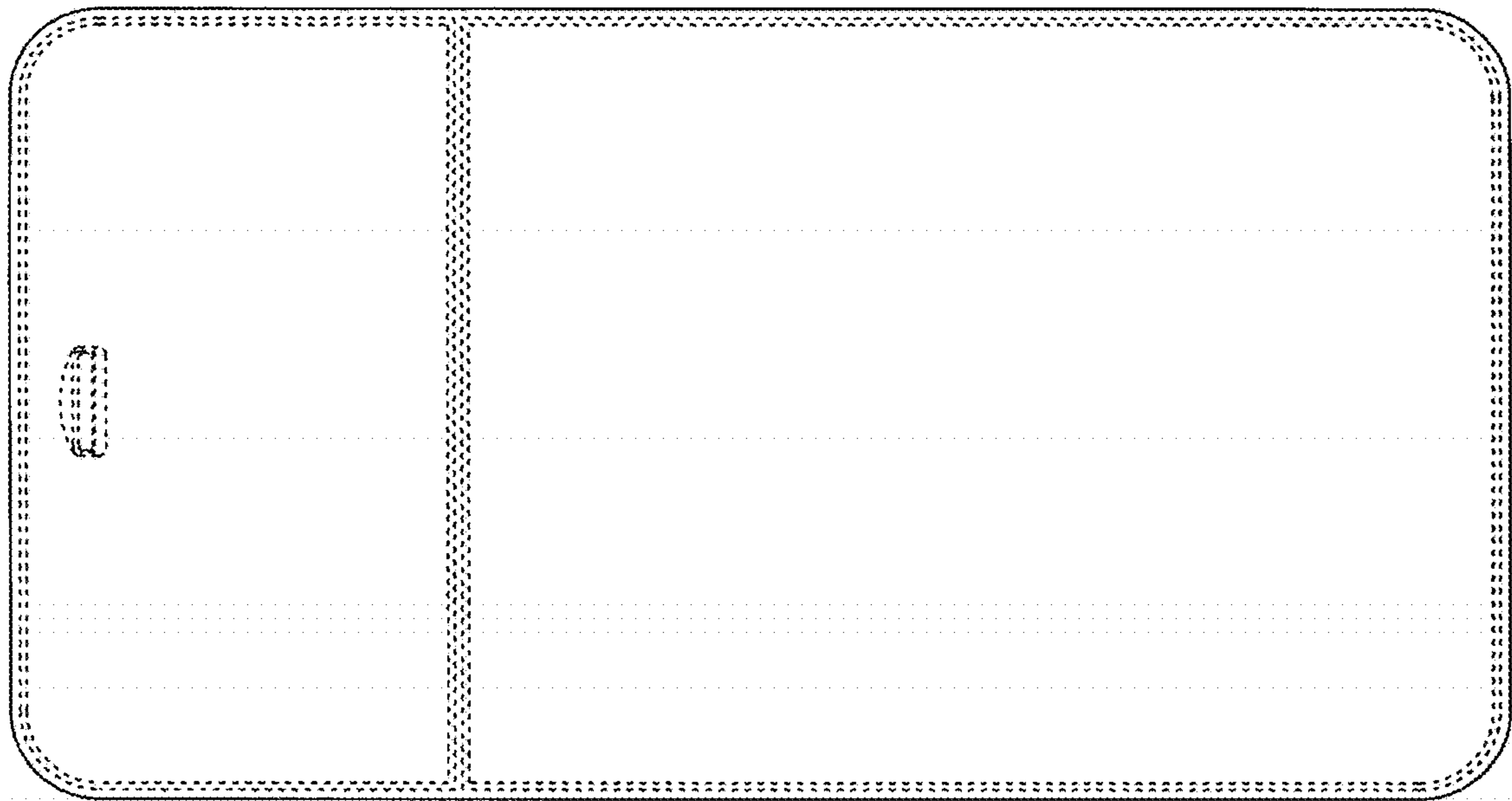


FIG. 6

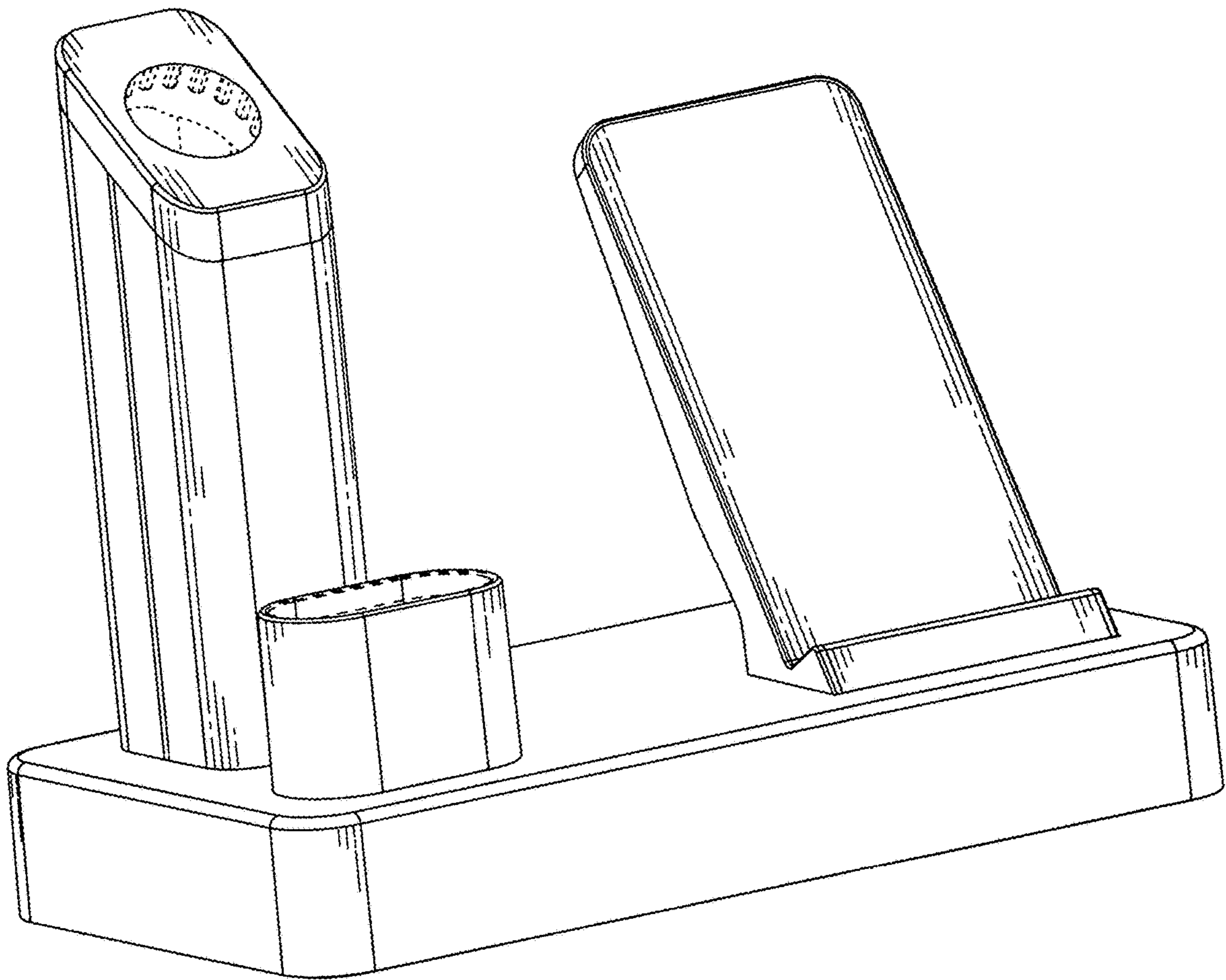


FIG.7