



US00D839189S

(12) **United States Design Patent**
Miller et al.

(10) **Patent No.:** **US D839,189 S**
(45) **Date of Patent:** **** Jan. 29, 2019**

- (54) **PORTABLE POWER CHARGER**
- (71) Applicant: **Halo2Cloud, LLC**, Hartford, CT (US)
- (72) Inventors: **Garold C. Miller**, Hartford, CT (US);
Nathan Daniel Weinstein, Hartford, CT (US)
- (73) Assignee: **Halo2Cloud, LLC**, Hartford, CT (US)
- (**) Term: **15 Years**
- (21) Appl. No.: **29/625,945**
- (22) Filed: **Nov. 14, 2017**
- (51) **LOC (11) Cl.** **13-02**
- (52) **U.S. Cl.**
USPC **D13/108**; D13/103
- (58) **Field of Classification Search**
USPC D13/107-110, 118-119, 184; D14/251,
D14/253, 432, 434
CPC Y02E 60/12; Y02T 90/14; Y02T 90/122;
Y02T 90/128; Y02T 90/163; H02J 7/025;
H02J 7/0042; H02J 7/0044; H02J 7/0045;
H02J 7/0003; H01F 38/14; H01R
13/6675; H01M 2/1022; H01M 2/1055;
H01M 10/44; H01M 10/46; H01M
10/425; B60L 11/182
See application file for complete search history.

(56) **References Cited**
U.S. PATENT DOCUMENTS

D578,960 S	10/2008	Fisher et al.	
D608,277 S	1/2010	Cano et al.	
D634,707 S	3/2011	Hosler et al.	
D645,818 S	9/2011	Guccione et al.	
D654,866 S	2/2012	Rautiainen	
D659,093 S	5/2012	Schmid et al.	
D680,063 S	4/2013	Sasada	
D720,289 S	* 12/2014	Chiang D13/108

D725,034 S	*	3/2015	Chen	D13/108
D727,260 S	*	4/2015	Aumiller	D13/108
D738,303 S		9/2015	Symons		
D740,750 S		10/2015	Mayden et al.		
D757,014 S		5/2016	Hahn et al.		
D770,430 S	*	11/2016	Lee	D14/240
D772,813 S		11/2016	Wahl		
D773,437 S	*	12/2016	Lee	D14/223
D775,233 S	*	12/2016	Beck	D14/203.6
D777,103 S		1/2017	Park		
D784,259 S	*	4/2017	Huang	D13/108
D798,807 S	*	10/2017	Shi	D13/108
D803,410 S	*	11/2017	Im	D24/187
D805,926 S	*	12/2017	Im	D10/57
D810,952 S	*	2/2018	Hsu	D24/200
D816,052 S	*	4/2018	Pallakoff	D14/137
D816,053 S	*	4/2018	Pallakoff	D14/137
2016/0380446 A1		12/2016	Loewen		

* cited by examiner

Primary Examiner — Rosemary K Tarcza
Assistant Examiner — Nathaniel D. Buckner
(74) *Attorney, Agent, or Firm* — McCormick, Paulding & Huber LLP

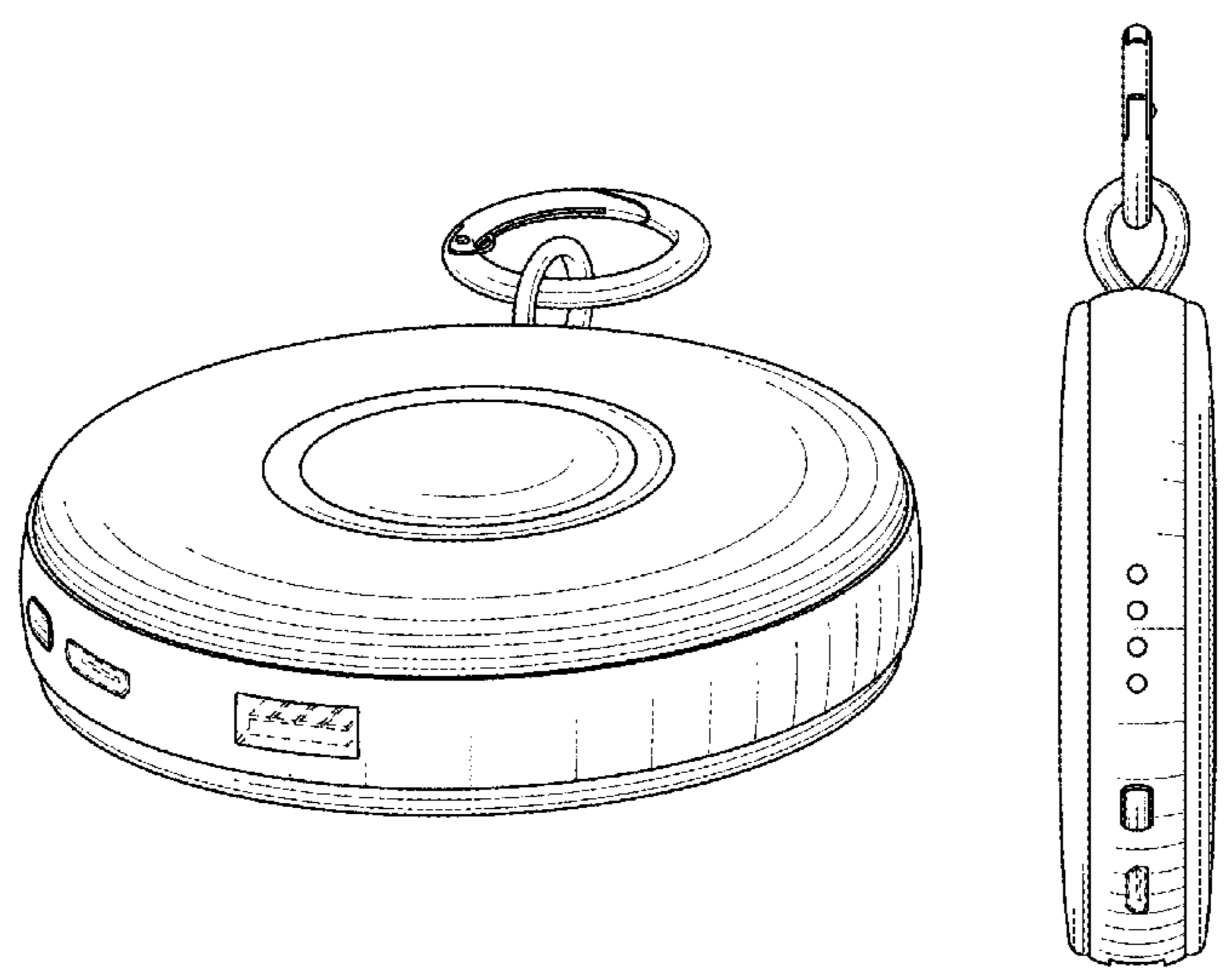
(57) **CLAIM**

The ornamental design for a portable power charger, as shown and described.

DESCRIPTION

FIG. 1 is a front, bottom perspective view of a portable power charger showing our new design;
FIG. 2 is a front view thereof;
FIG. 3 is a rear view thereof;
FIG. 4 is a left-hand side view thereof;
FIG. 5 is a right-hand side view thereof;
FIG. 6 is a top view thereof; and,
FIG. 7 is a bottom view thereof.
The broken lines in the figures depict portions of the article which form no part of the claimed design.

1 Claim, 3 Drawing Sheets



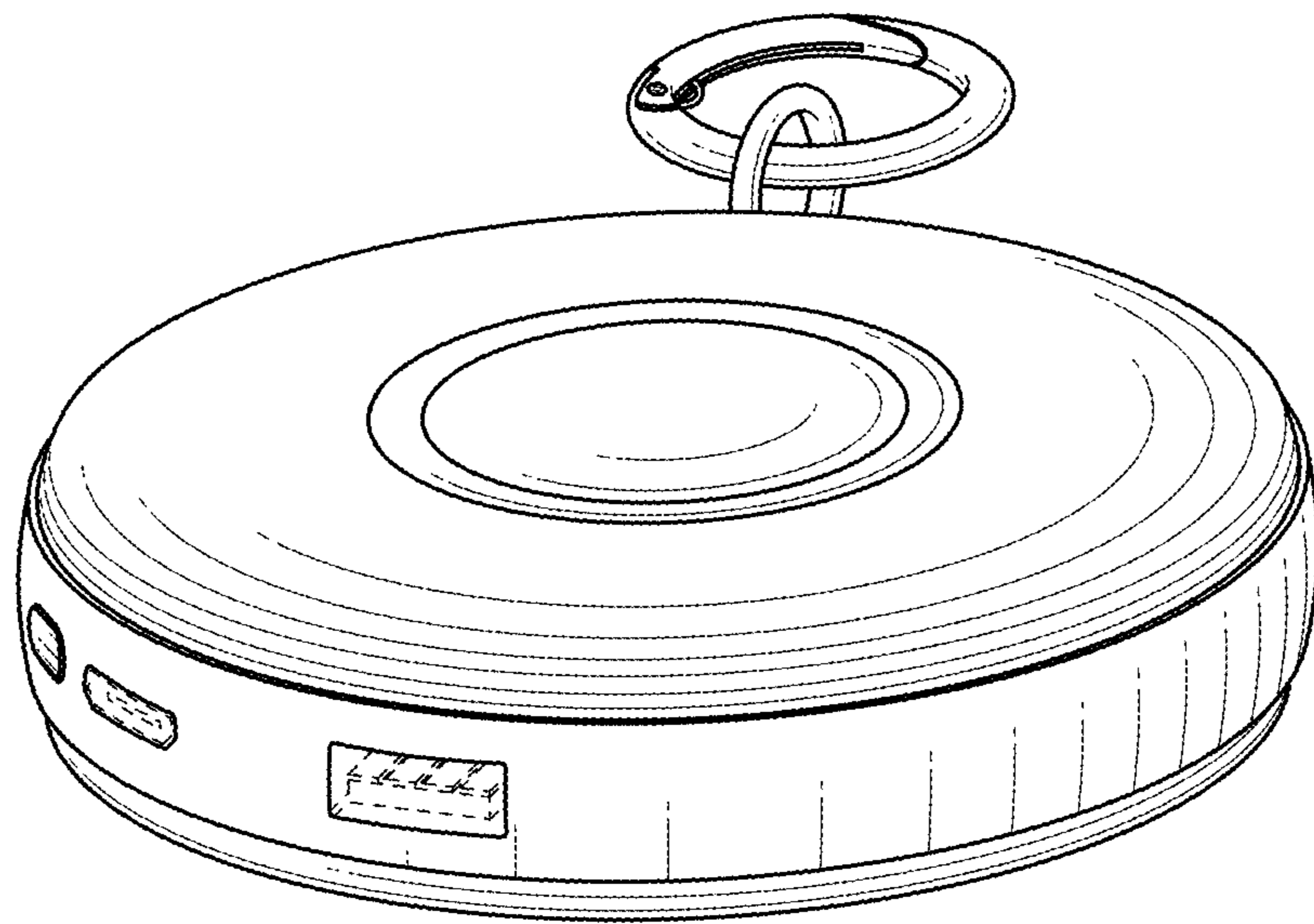


FIG. 1

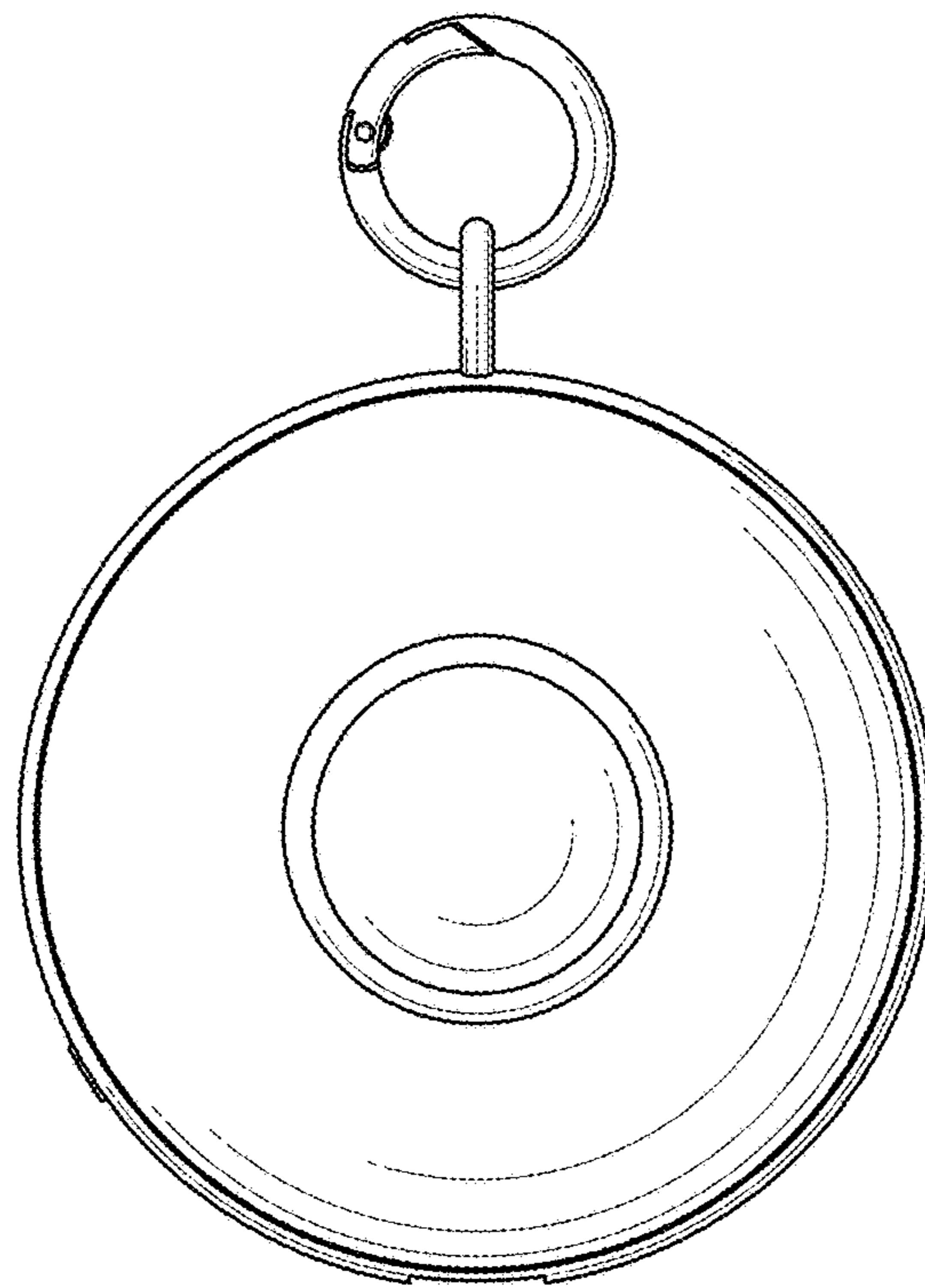


FIG. 2

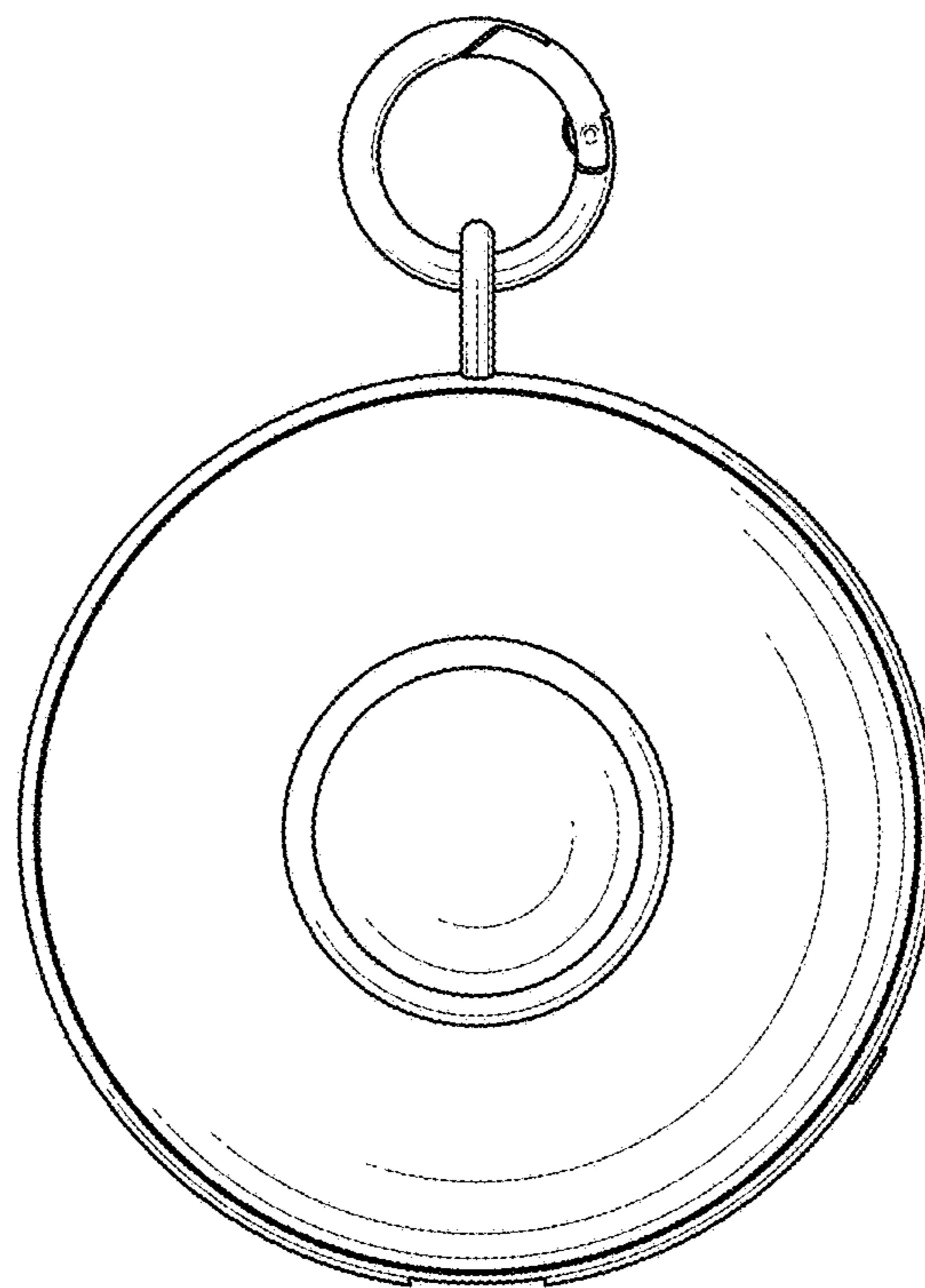


FIG. 3

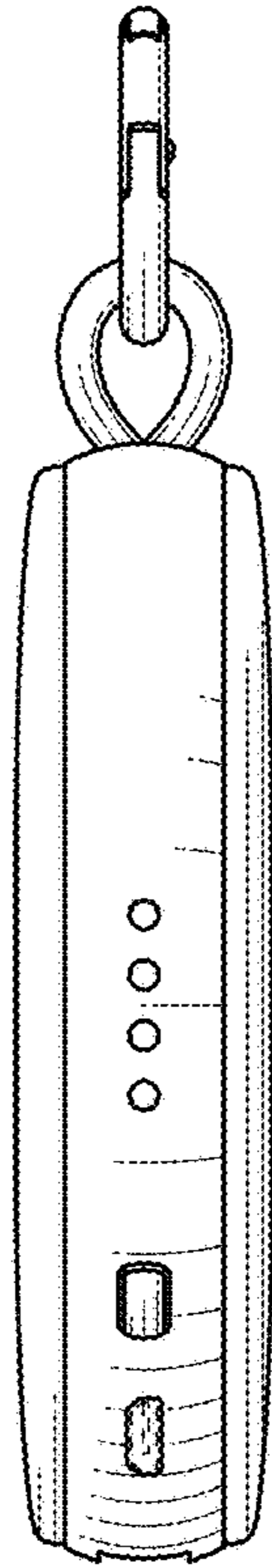


FIG. 4

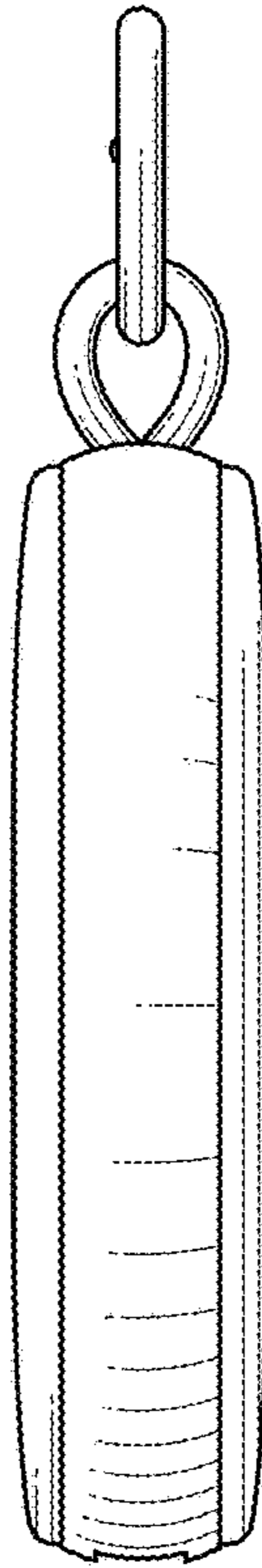


FIG. 5

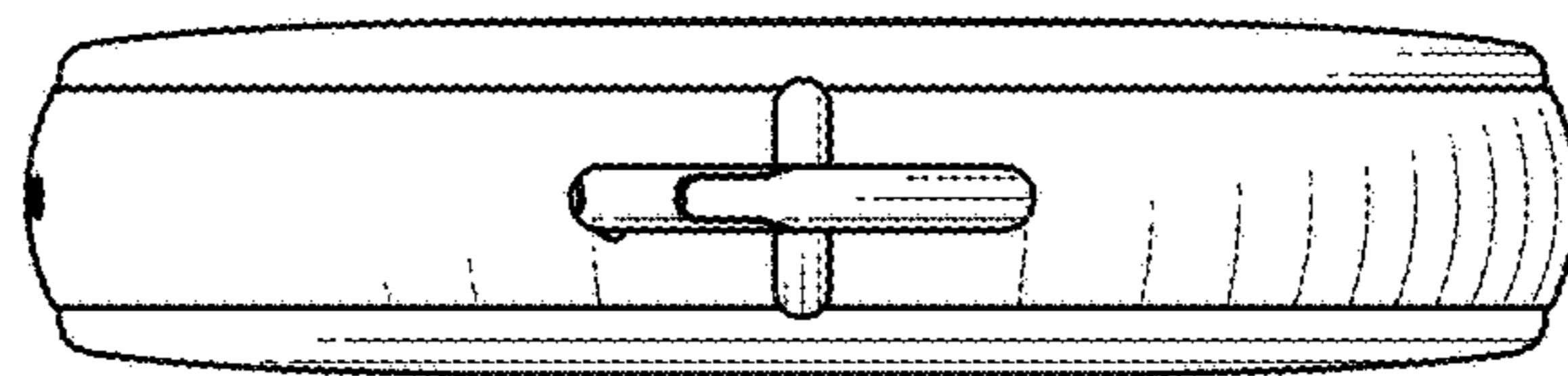


FIG. 6

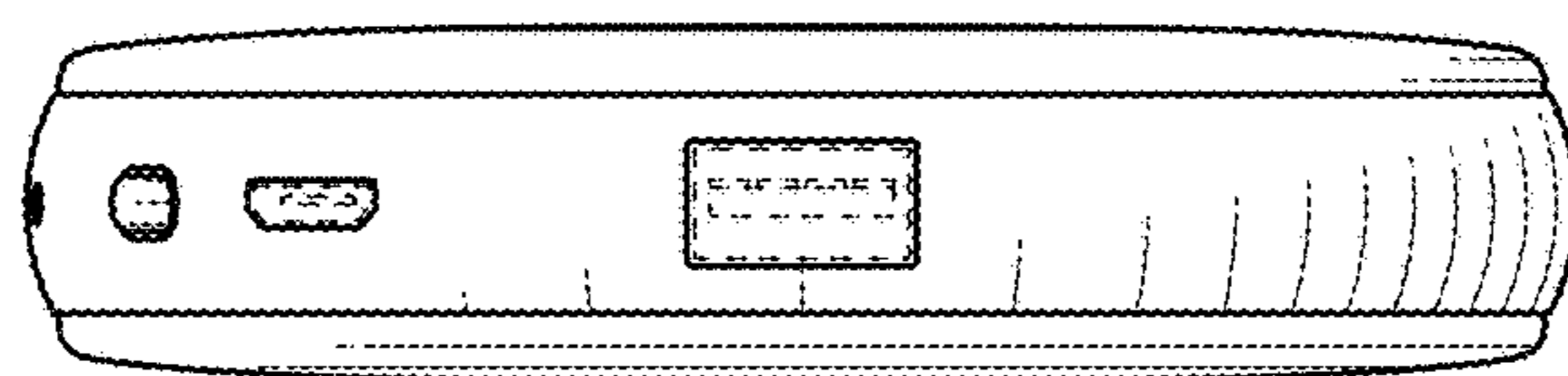


FIG. 7