



US00D839188S

(12) **United States Design Patent**
Akana et al.

(10) **Patent No.:** **US D839,188 S**

(45) **Date of Patent:** **** Jan. 29, 2019**

(54) **CHARGER**

(71) Applicant: **Apple Inc.**, Cupertino, CA (US)

(72) Inventors: **Jody Akana**, San Francisco, CA (US); **Bartley K. Andre**, Palo Alto, CA (US); **Shota Aoyagi**, San Francisco, CA (US); **Anthony Michael Ashcroft**, San Francisco, CA (US); **Jeremy Bataillou**, San Francisco, CA (US); **Daniel J. Coster**, San Francisco, CA (US); **Daniele De Iuliis**, San Francisco, CA (US); **Christopher Graham**, San Francisco, CA (US); **M. Evans Hankey**, San Francisco, CA (US); **Julian Hoenig**, San Francisco, CA (US); **Richard P. Howarth**, San Francisco, CA (US); **Jonathan P. Ive**, San Francisco, CA (US); **Duncan Robert Kerr**, San Francisco, CA (US); **Marc A. Newson**, London (GB); **Matthew Dean Rohrbach**, San Francisco, CA (US); **Peter Russell-Clarke**, San Francisco, CA (US); **Benjamin Andrew Shaffer**, San Jose, CA (US); **Mikael Silvanto**, San Francisco, CA (US); **Christopher J. Stringer**, Woodside, CA (US); **Paul Thompson**, San Francisco, CA (US); **Eugene Antony Whang**, San Francisco, CA (US); **Rico Zörkendörfer**, San Francisco, CA (US)

(73) Assignee: **Apple Inc.**, Cupertino, CA (US)

(**) Term: **15 Years**

(21) Appl. No.: **29/614,596**

(22) Filed: **Aug. 21, 2017**

Related U.S. Application Data

(63) Continuation of application No. 29/536,264, filed on Aug. 14, 2015, now Pat. No. Des. 795,182.

(51) **LOC (11) Cl.** 13-02

(52) **U.S. Cl.**
USPC **D13/108**

(58) **Field of Classification Search**
USPC D13/107-110, 118-119, 184; D14/251, D14/253, 432, 434
CPC Y02E 60/12; Y02T 90/14; Y02T 90/122; Y02T 90/128; Y02T 90/163; H02J 7/025; H02J 7/0042; H02J 7/0044; H02J 7/0045; H02J 7/0003; H01F 38/14; H01R 13/6675;

(Continued)

(56) **References Cited**

U.S. PATENT DOCUMENTS

D221,081 S 7/1971 Kahn
D399,603 S 10/1998 Hemsley, Jr. et al.

(Continued)

Primary Examiner — Rosemary K Tarcza
Assistant Examiner — Nathaniel D. Buckner
(74) *Attorney, Agent, or Firm* — Sterne, Kessler, Goldstein & Fox P.L.L.C.

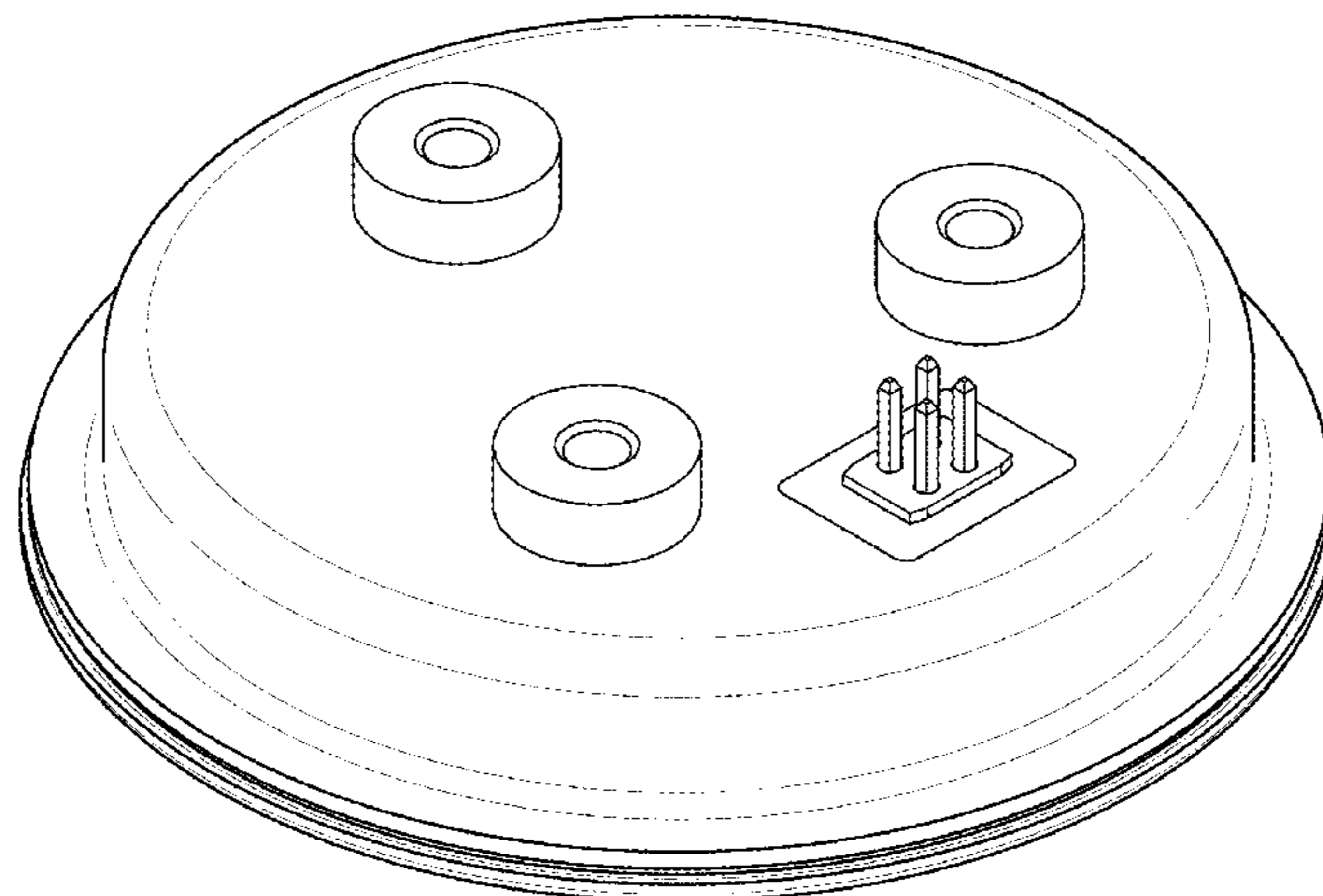
(57) **CLAIM**

The ornamental design for a charger, as shown.

DESCRIPTION

FIG. 1 is a top front perspective view of a charger showing the claimed design;
FIG. 2 is a bottom perspective view thereof;
FIG. 3 is a front view thereof;
FIG. 4 is a rear view thereof;
FIG. 5 is a right side view thereof;
FIG. 6 is a left side view thereof;
FIG. 7 is a top view thereof; and,
FIG. 8 is a bottom view thereof.

1 Claim, 8 Drawing Sheets



(58) **Field of Classification Search**
 CPC .. H01M 2/1022; H01M 2/1055; H01M 10/44;
 H01M 10/46; H01M 10/425; B60L
 11/182
 See application file for complete search history.

(56) **References Cited**

U.S. PATENT DOCUMENTS

D433,994 S	11/2000	Jobs et al.	
D461,813 S	8/2002	Chang	
D523,750 S	6/2006	Lee et al.	
D533,063 S	12/2006	Lee et al.	
7,198,169 B2 *	4/2007	Silk	B65D 43/0229 220/288
D599,241 S	9/2009	Andre et al.	
D620,884 S	8/2010	Lee et al.	
D625,262 S	10/2010	Lee et al.	
D640,976 S	7/2011	Matsuoka	
D643,844 S	8/2011	Akana et al.	
D647,227 S *	10/2011	Kaule	D26/24
D652,537 S *	1/2012	Wada	D26/2
D654,431 S	2/2012	Stephanchick et al.	
D659,093 S	5/2012	Schmid et al.	
D662,939 S	7/2012	Akana et al.	
D673,110 S	12/2012	Sasada et al.	
D687,772 S	8/2013	Chikos et al.	
D694,182 S	11/2013	Lee et al.	
D697,027 S	1/2014	Ho	
D697,510 S	1/2014	Sato et al.	
D701,831 S	4/2014	Park et al.	
D704,634 S	5/2014	Eidelman et al.	
D705,815 S	5/2014	Green	
D706,212 S	6/2014	Zwierstra et al.	

D718,233 S	11/2014	Aumiller et al.	
D718,234 S	11/2014	Rautiainen	
D718,236 S	11/2014	Murray	
D718,712 S	12/2014	Aumiller et al.	
D719,959 S *	12/2014	Vogel	D14/447
D720,289 S	12/2014	Chiang et al.	
D727,260 S	4/2015	Aumiller et al.	
D725,034 S	5/2015	Chen	
D735,131 S	7/2015	Akana et al.	
D741,256 S	10/2015	Murphy-Reinhertz et al.	
D747,267 S	1/2016	Aumiller et al.	
D749,044 S	2/2016	Huang	
D756,216 S	5/2016	EI-Debs et al.	
D757,010 S	5/2016	Kang et al.	
D757,014 S	5/2016	Hahn et al.	
D765,084 S	8/2016	Akana et al.	
D777,103 S	1/2017	Park	
D782,973 S	4/2017	Zhou	
D784,259 S	4/2017	Huang et al.	
D786,193 S	5/2017	Akana et al.	
D791,215 S *	7/2017	Schmidt	D16/202
D794,557 S *	8/2017	Kim	D13/108
D804,306 S *	12/2017	Simons	D9/454
D806,020 S *	12/2017	Lu	D13/107
D806,072 S *	12/2017	Gummalla	D14/358
D812,563 S *	3/2018	Akana	D13/108
D817,268 S *	5/2018	Symons	D13/108
D821,307 S *	6/2018	Calachan	D13/107
2001/0038337 A1 *	11/2001	Wickstead	G08B 17/10 340/628
2009/0134838 A1	5/2009	Raghuprasad	
2012/0104999 A1	5/2012	Teggatz et al.	
2014/0117926 A1	5/2014	Hwu et al.	
2015/0091500 A1	4/2015	Claudepierre	

* cited by examiner

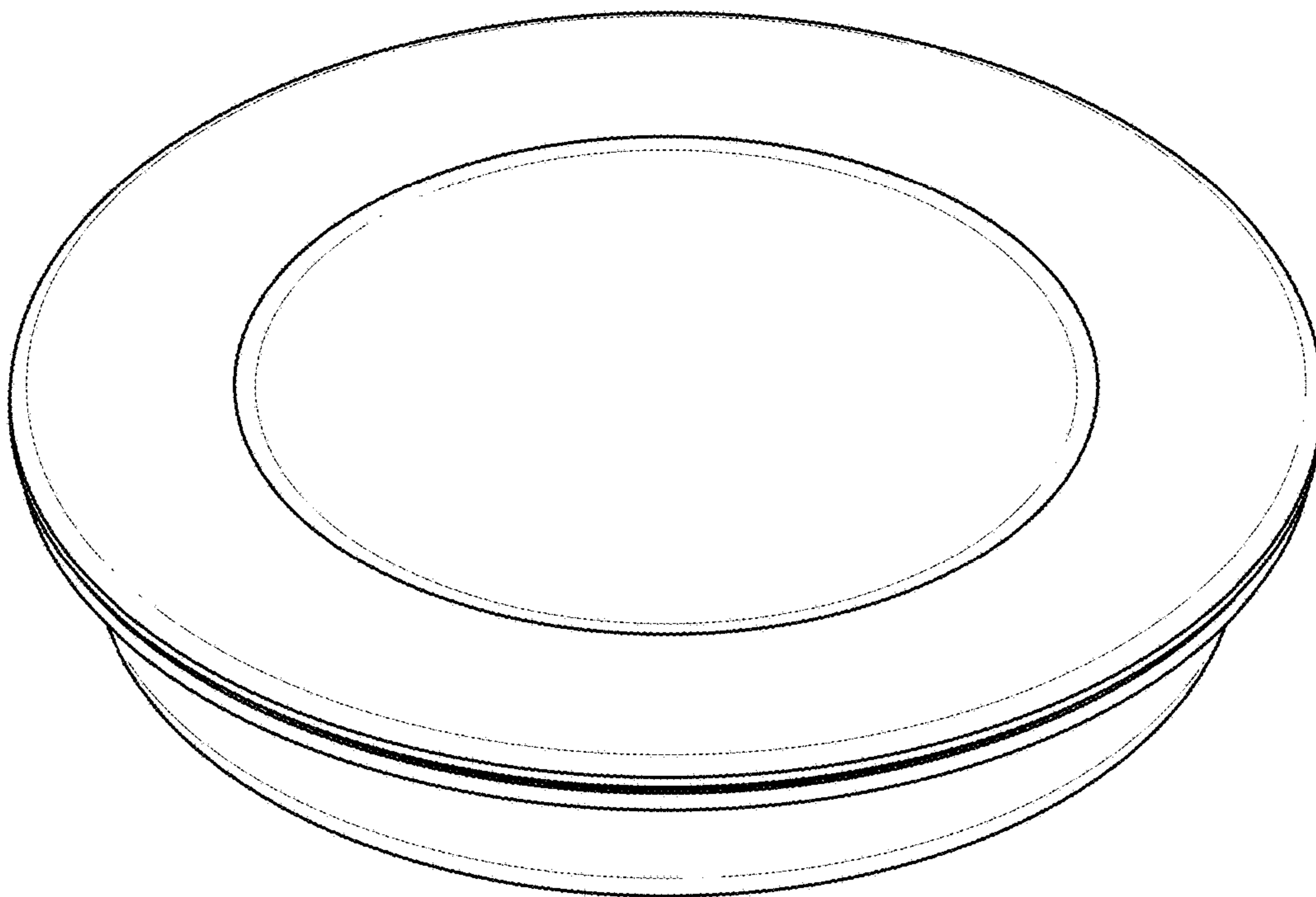


FIG. 1

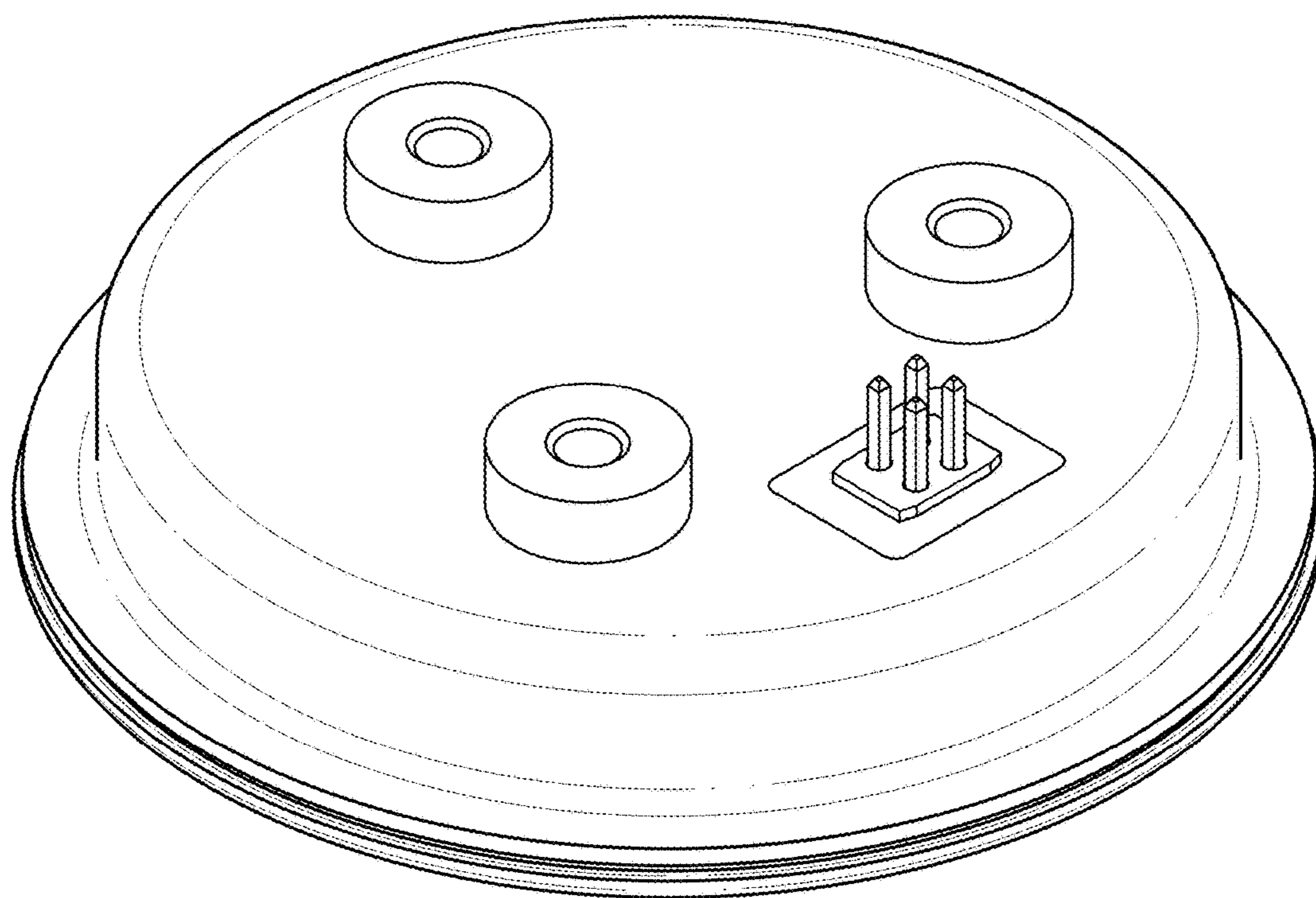


FIG. 2

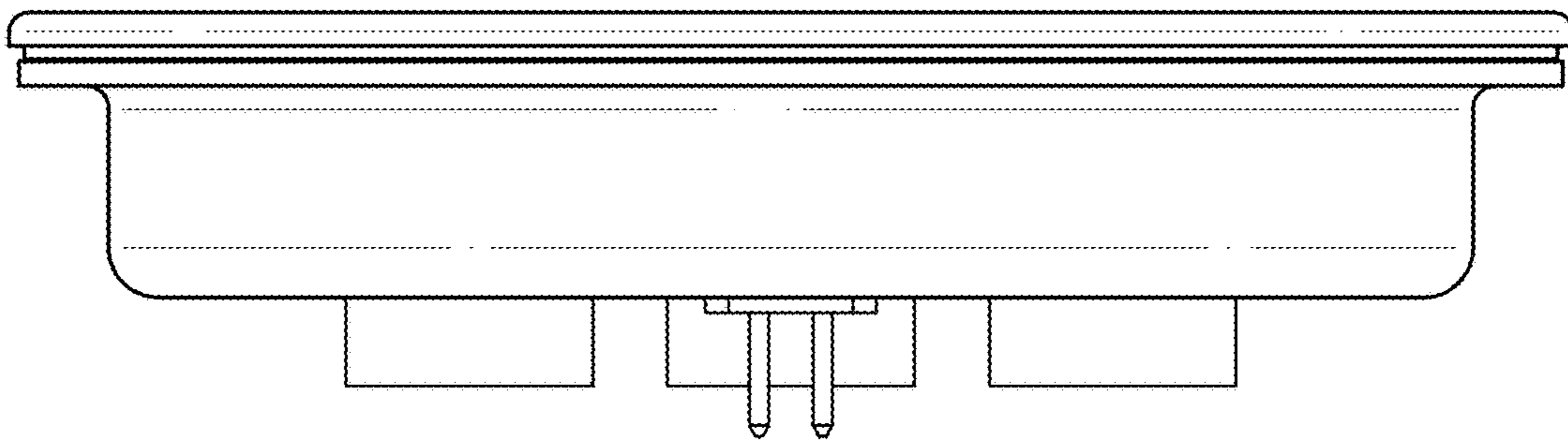


FIG. 3

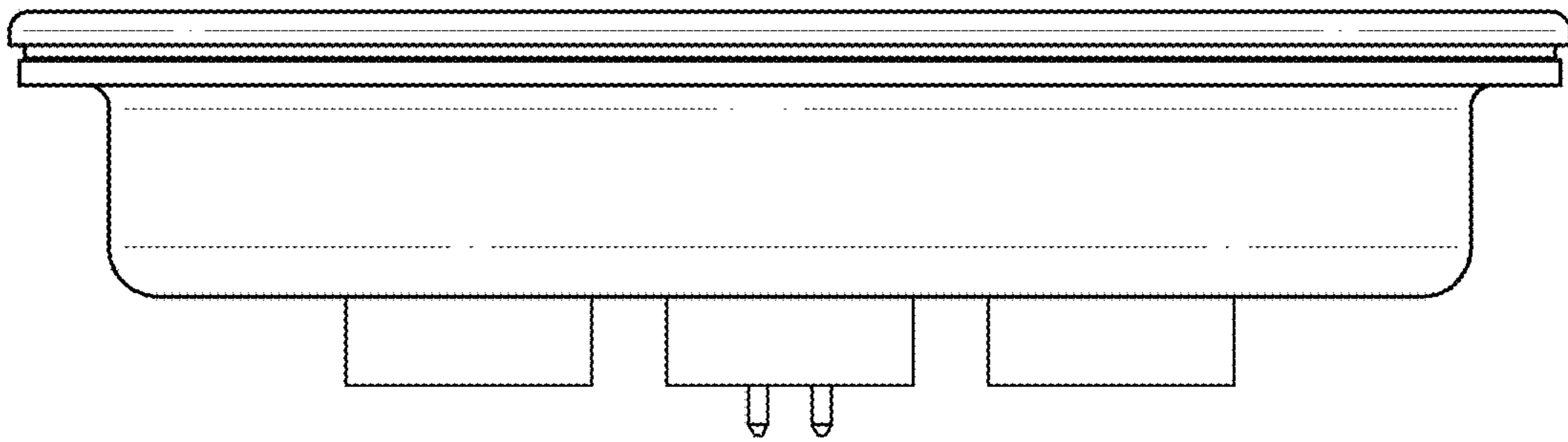


FIG. 4

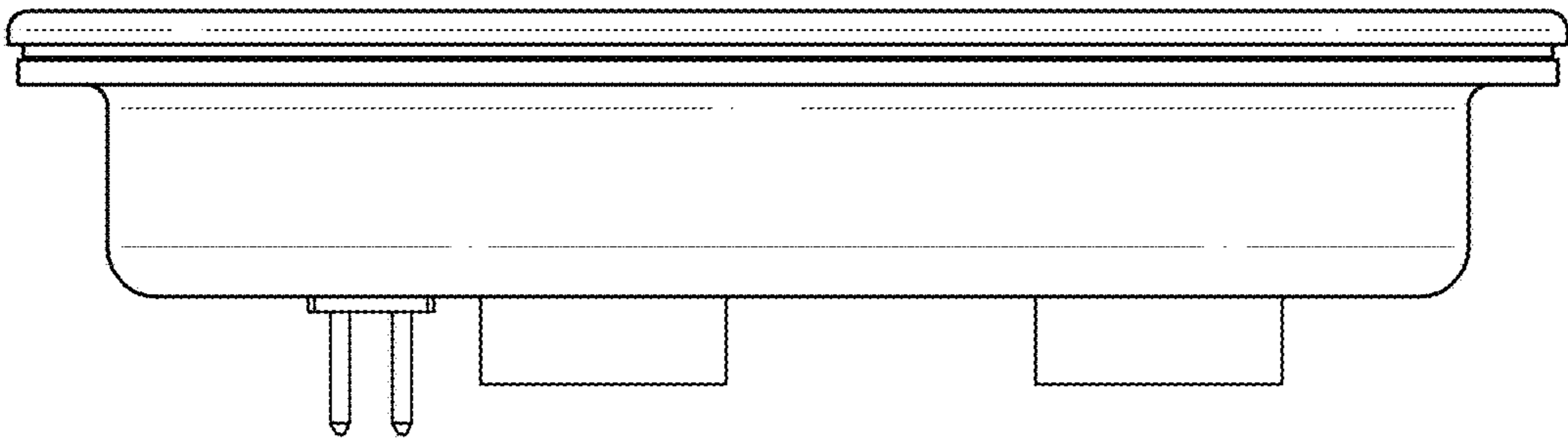


FIG. 5

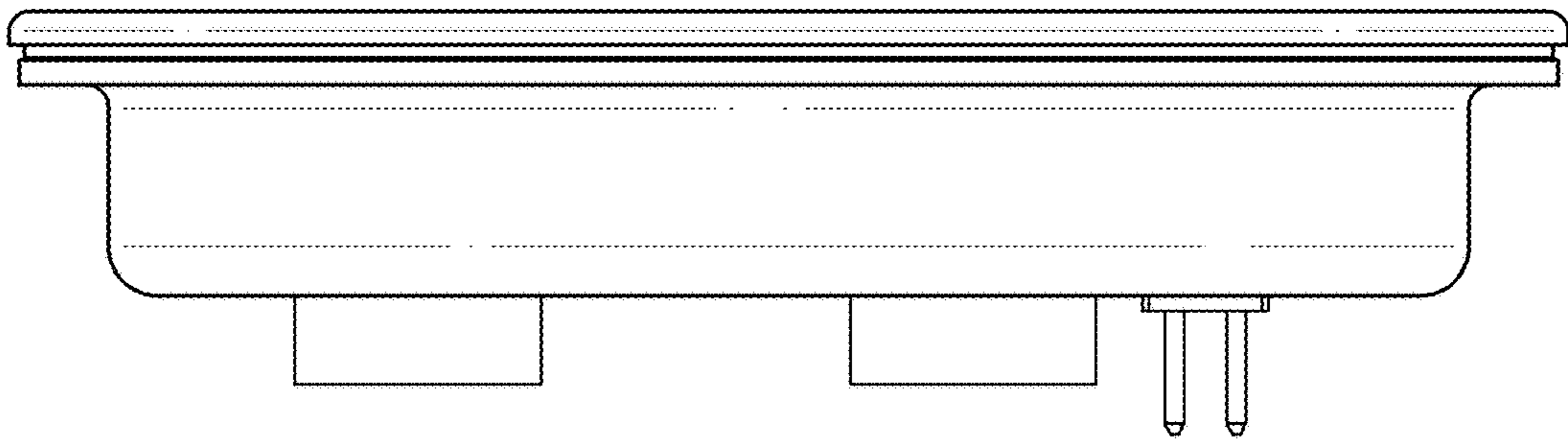


FIG. 6

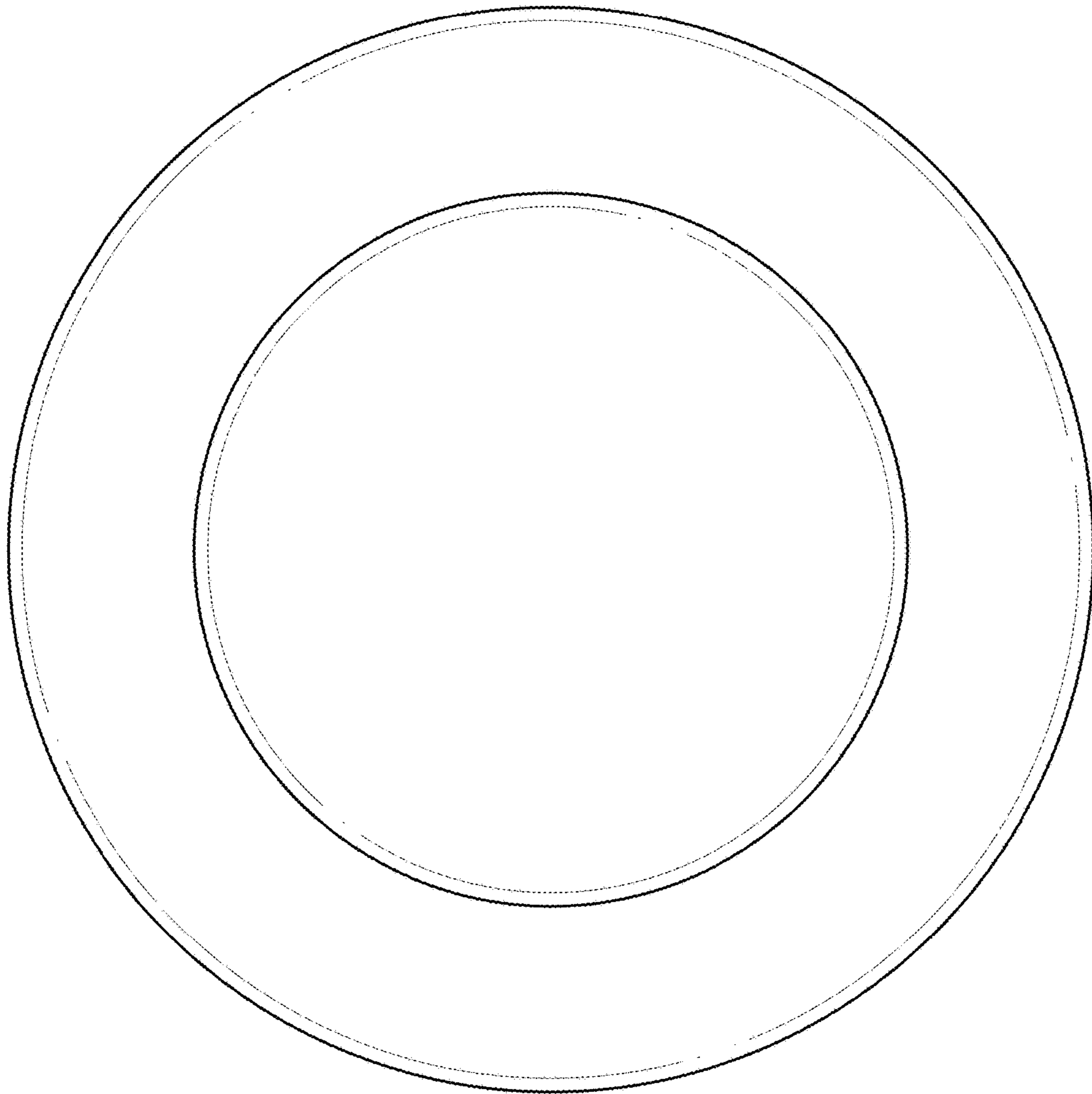


FIG. 7

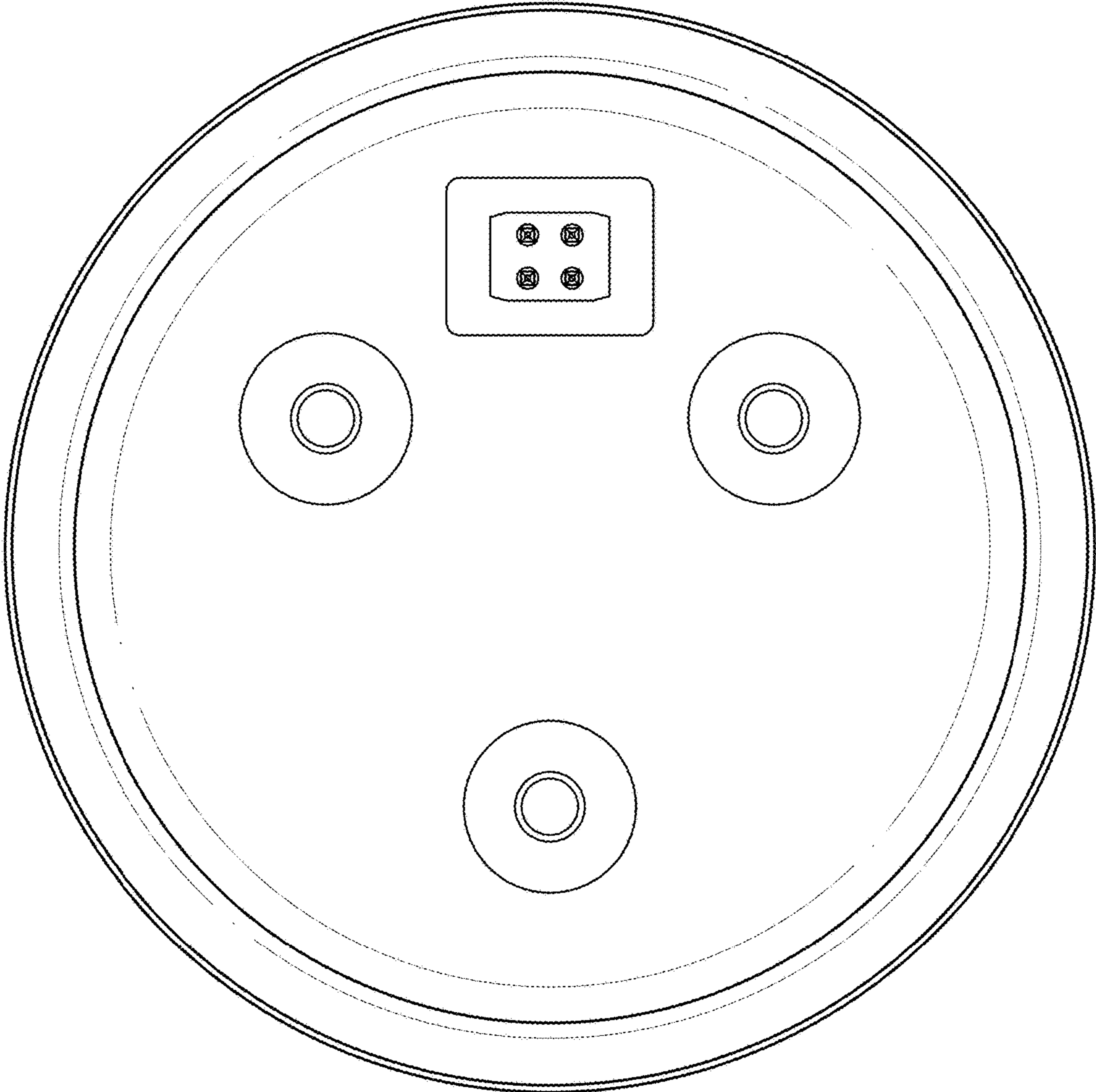


FIG. 8