



US00D839187S

(12) **United States Design Patent** (10) **Patent No.:** **US D839,187 S**  
**Warren** (45) **Date of Patent:** **\*\* Jan. 29, 2019**

(54) **CHARGER WITH STABILIZER**

(71) Applicant: **William J. Warren**, Frisco, TX (US)

(72) Inventor: **William J. Warren**, Frisco, TX (US)

(\*\*) Term: **15 Years**

(21) Appl. No.: **29/601,481**

(22) Filed: **Apr. 22, 2017**

(51) **LOC (11) Cl.** ..... **13-02**

(52) **U.S. Cl.**  
USPC ..... **D13/108**

(58) **Field of Classification Search**

USPC ..... D13/118, 119, 184, 102–110, 123, 133,  
D13/137.1–137.4, 138.1–138.2,  
D13/139.1–139.8, 152–154, 146, 147,  
D13/156, 158, 177, 160; D14/251, 253,  
D14/432, 434, 433; D15/9; D8/300,  
D8/303, 315, 321, 350–353  
CPC ..... Y02E 60/12; Y02E 60/122; Y02E 60/124;  
Y02E 60/50; Y02T 90/14; Y02T 90/122;  
Y02T 90/128; Y02T 90/163; Y02T  
10/7005; Y02T 10/705; Y02T 10/7088;  
H02J 7/025; H02J 7/0042; H02J 7/0044;  
H02J 7/0045; H02J 7/0003; H02J  
2001/008; H02J 3/32; H02J 3/008; H02J  
7/0027; H02J 7/0013; H02J 7/0054; H02J  
7/00; H02J 7/0034; H02J 7/1423; H01F  
38/14; H01R 13/6675; H01R 11/00;  
H01R 9/00; H01R 25/00; H01R 25/006;  
H01M 2/1022; H01M 2/1055; H01M  
10/44; H01M 10/46; H01M 10/425;  
H01M 10/4257; H01M 10/0436; H01M  
10/48; H01M 2/02; H01M 2/022; H01M  
2/0202; H01M 2/0207; H01M 2/0212;  
H01M 2/1061; H01M 2/1066; H01M  
2/105; H01M 2/204; B60L 11/182; B60L  
11/1809; B60L 11/1861; B60R 16/03  
See application file for complete search history.

(56) **References Cited**

U.S. PATENT DOCUMENTS

5,187,744 A	2/1993	Richter	
D343,107 S *	1/1994	Fulton .....	D8/315
5,903,645 A	5/1999	Tsay	
6,029,215 A	2/2000	Watts, Jr. et al.	
6,341,218 B1	1/2002	Poplawsky et al.	
D573,866 S	7/2008	Smith	
7,551,458 B2	6/2009	Carnevali	
D617,863 S	6/2010	Moody et al.	
D626,671 S	11/2010	Bertken	
D638,560 S	5/2011	Seenstra	
8,224,408 B2	7/2012	Tomasini et al.	
8,367,235 B2	2/2013	Huang	
D680,941 S	4/2013	Deppen	

(Continued)

*Primary Examiner* — Rosemary K Tarcza  
*Assistant Examiner* — Christy M Nemeth  
(74) *Attorney, Agent, or Firm* — Carr & Ferrell LLP

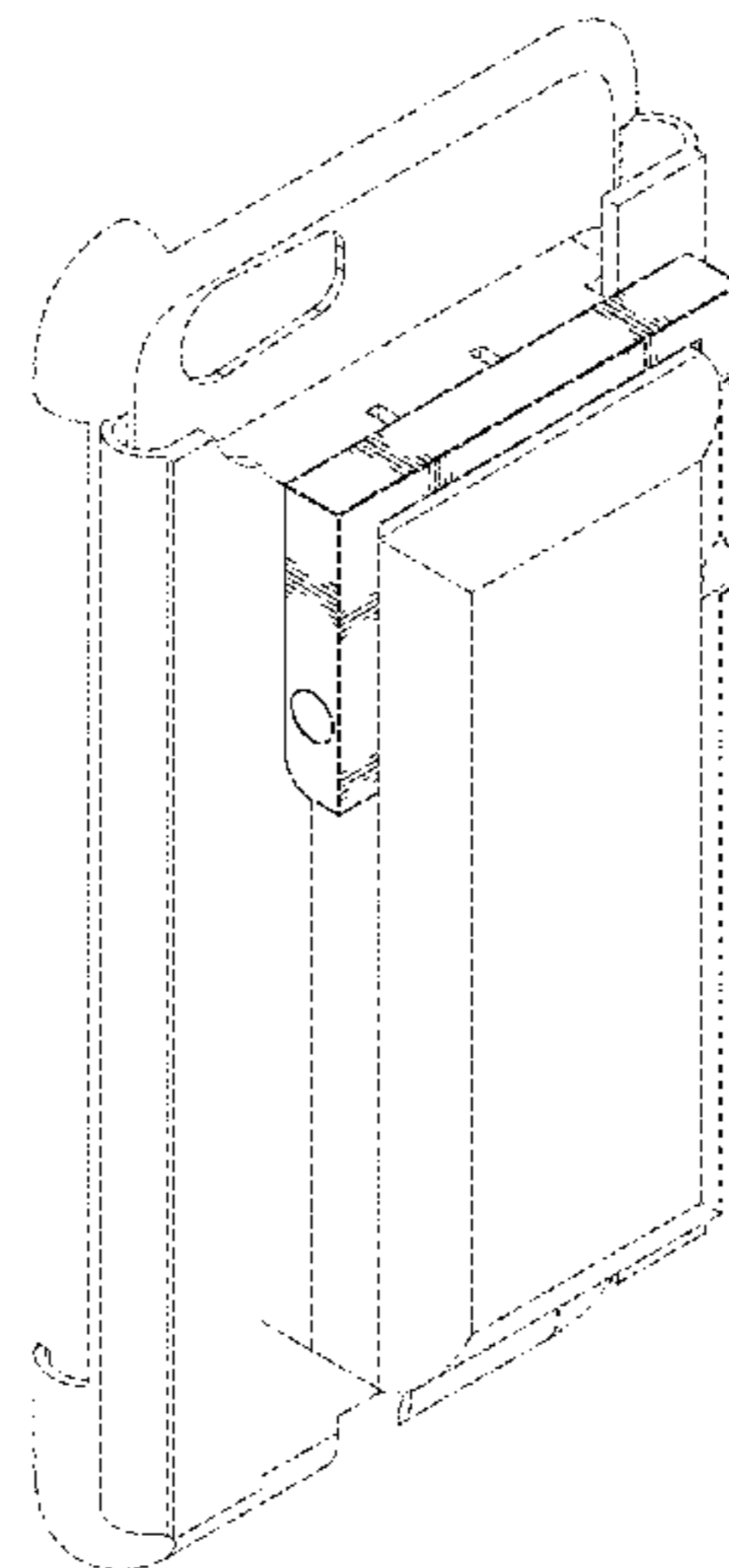
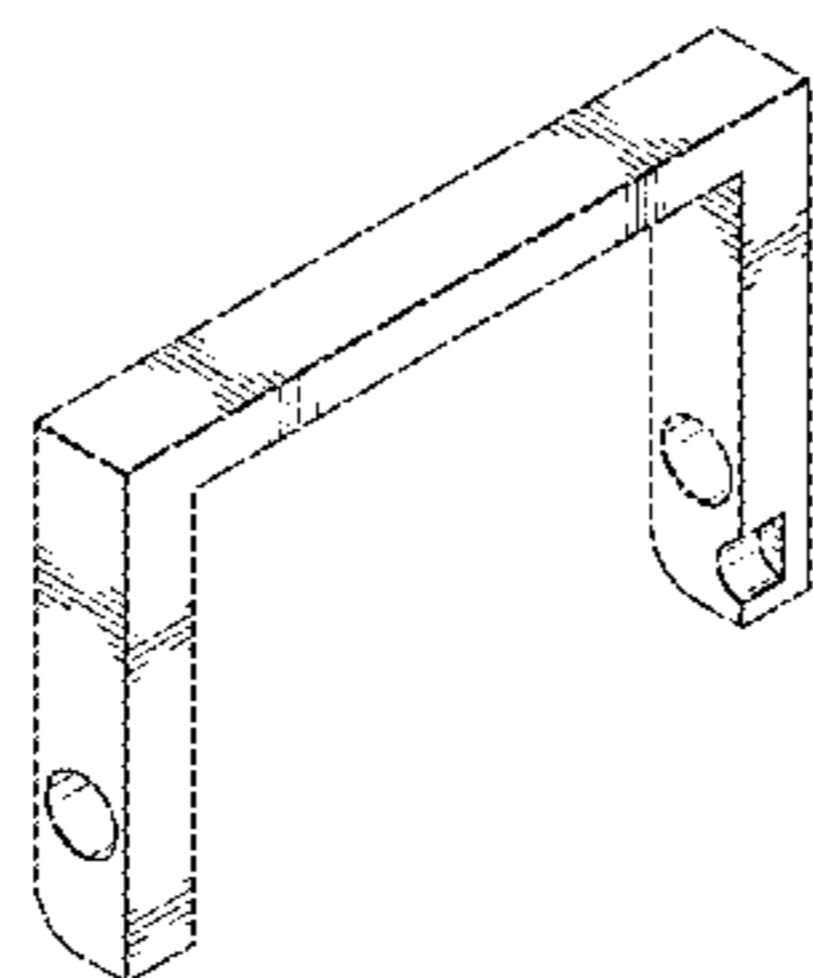
(57) **CLAIM**

The ornamental design for a charger with stabilizer, as shown and described.

**DESCRIPTION**

FIG. 1 is a front-bottom-left side perspective view of a charger with stabilizer of my new design;  
FIG. 2 is a bottom view thereof;  
FIG. 3 is a top view thereof;  
FIG. 4 is a right side view thereof;  
FIG. 5 is a left side view thereof;  
FIG. 6 is a front view thereof;  
FIG. 7 is a rear view thereof;  
FIG. 8 is a second perspective view thereof;  
FIG. 9 is a third perspective view thereof; and,  
FIG. 10 is a fourth perspective view thereof.  
The broken lines in the drawings are for the purpose of illustrating portions of the charger with stabilizer that form no part of the claimed design.

**1 Claim, 5 Drawing Sheets**



(56)

References Cited

U.S. PATENT DOCUMENTS

8,414,318 B1	4/2013	Chen	9,997,882 B1	6/2018	Warren
8,616,327 B1	12/2013	Palacios	D823,513 S	7/2018	Irañeta Olcoz et al.
8,805,640 B2	8/2014	Nielsen et al.	10,027,149 B2	7/2018	Warren
D719,008 S *	12/2014	Han ..... D8/315	10,063,088 B2	8/2018	Warren
9,027,486 B1	5/2015	Berkovitz	D828,938 S	9/2018	Hou
D745,628 S	12/2015	Barfoot et al.	D829,651 S	10/2018	Warren
D748,834 S	2/2016	Huang	2002/0149695 A1	10/2002	Kayanuma
9,310,841 B2	4/2016	Williams	2004/0105024 A1	6/2004	Takahashi
9,429,994 B1	8/2016	Vier	2004/0251873 A1	12/2004	Simoes et al.
9,473,607 B2	10/2016	An	2006/0105819 A1	5/2006	Liao
D774,377 S *	12/2016	Hilliaho ..... D8/315	2007/0034753 A1	2/2007	Lee
D775,752 S	1/2017	Nook et al.	2011/0031287 A1	2/2011	Le Gette et al.
D778,706 S	2/2017	Atkins	2013/0093220 A1	4/2013	Pajic
9,568,148 B2	2/2017	Carnevali	2013/0242495 A1	9/2013	Bathiche et al.
D792,752 S *	7/2017	Chung ..... D8/315	2014/0085814 A1	3/2014	Kielland
D792,995 S	7/2017	Colasse	2014/0139989 A1	5/2014	Mori et al.
9,812,811 B1	11/2017	Gorin et al.	2015/0234108 A1	8/2015	Harley, Jr.
9,904,327 B2	2/2018	Whitt, III et al.	2015/0234478 A1	8/2015	Belesiu et al.
D813,339 S	3/2018	Maroney	2015/0268699 A1	9/2015	Bathiche et al.
D813,658 S	3/2018	Wright	2016/0039525 A1	2/2016	Pajic
D814,264 S	4/2018	Werdowatz	2016/0090767 A1	3/2016	Park et al.
D818,167 S	5/2018	Molnar	2018/0248321 A1	8/2018	Warren
			2018/0248391 A1	8/2018	Warren
			2018/0248392 A1	8/2018	Warren

\* cited by examiner

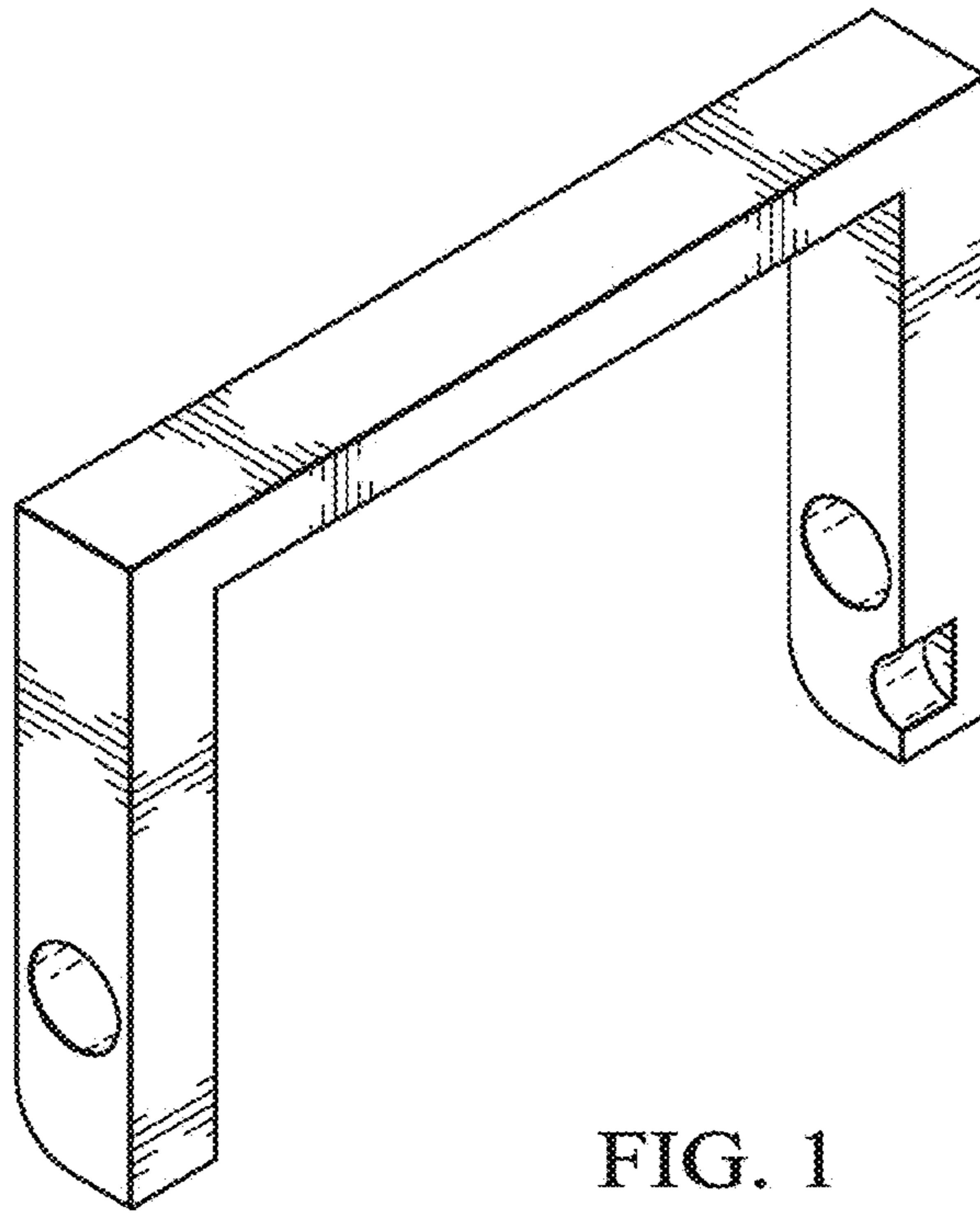


FIG. 1

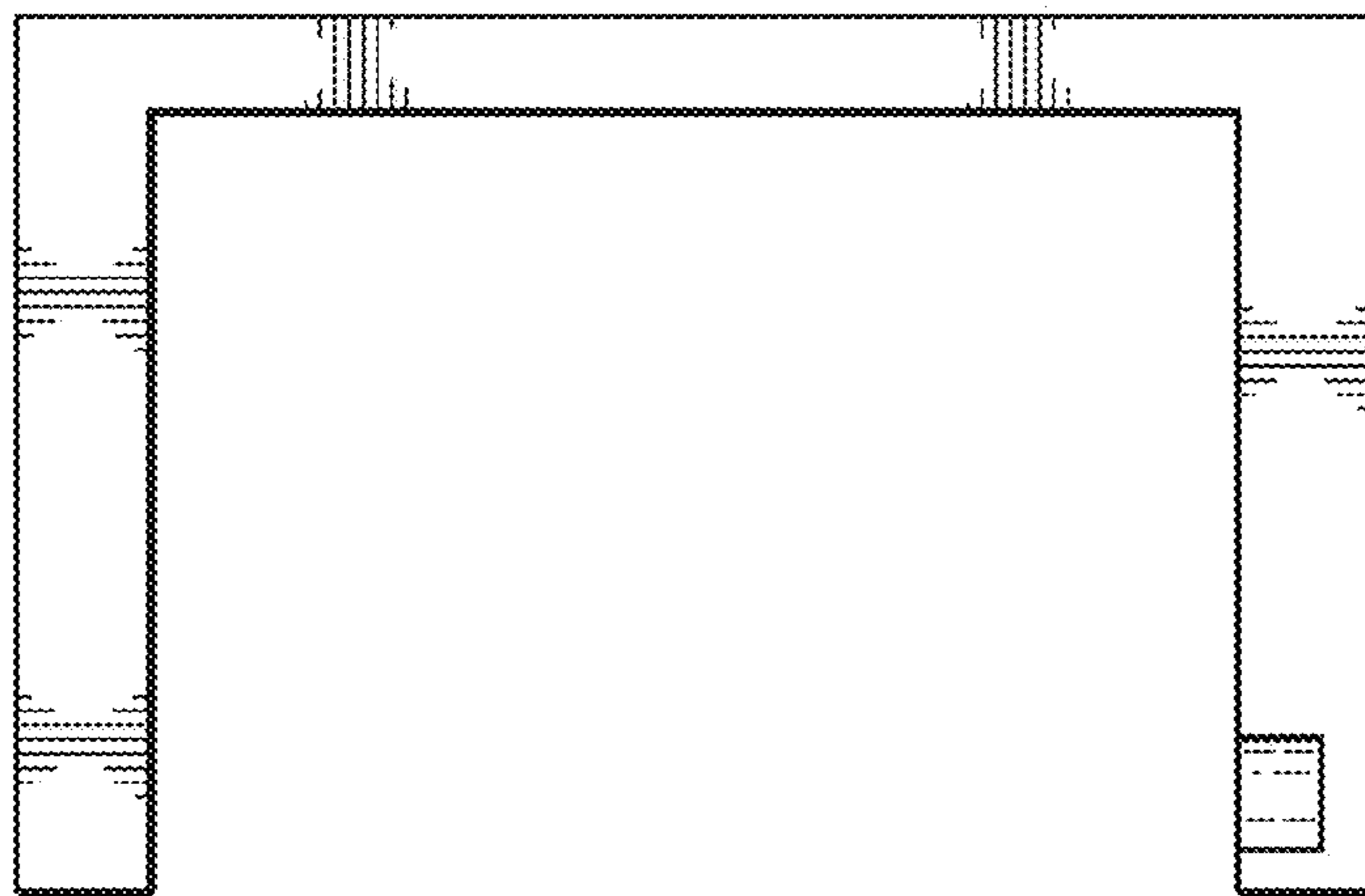


FIG. 2

FIG. 3

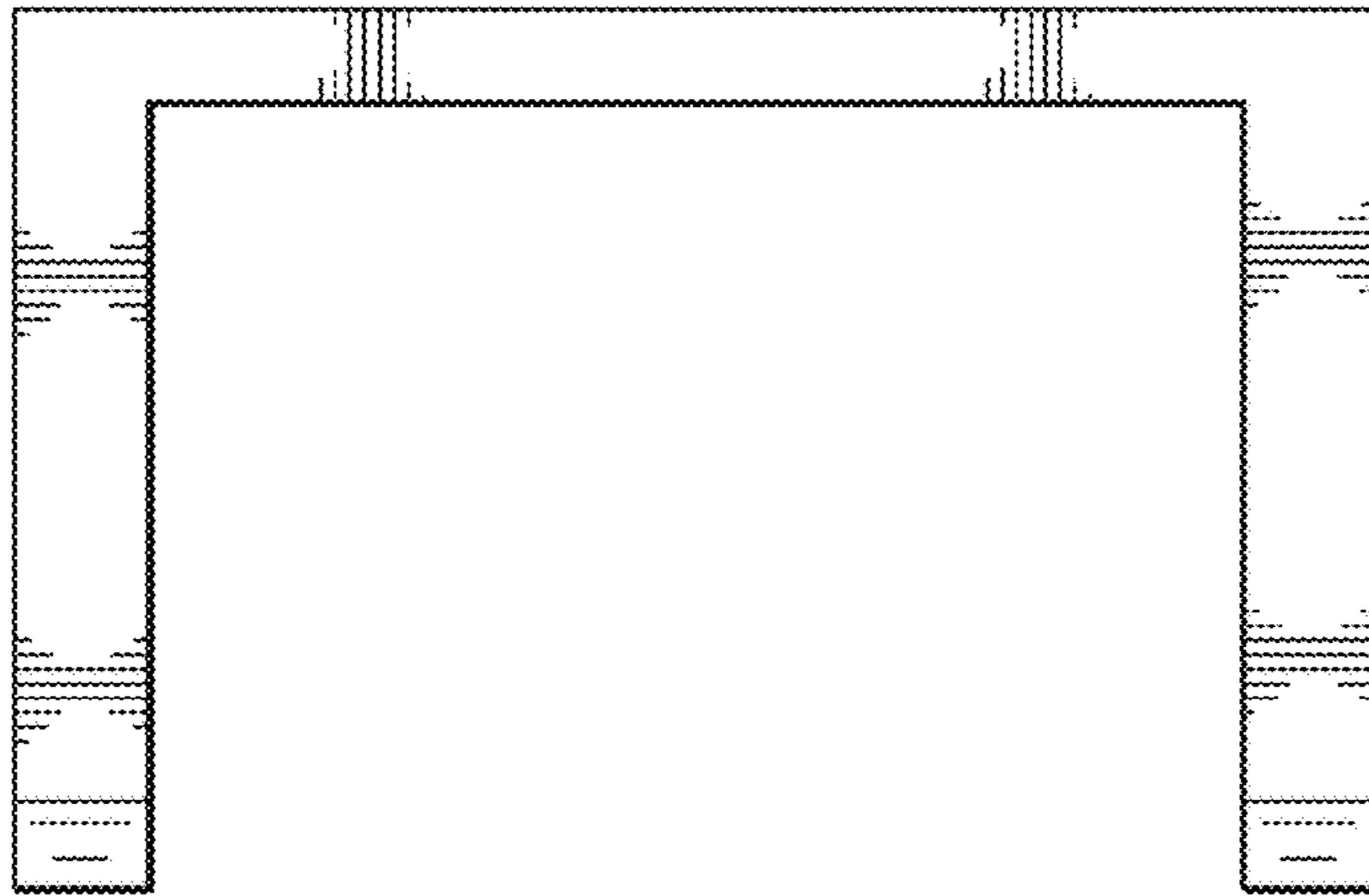


FIG. 4

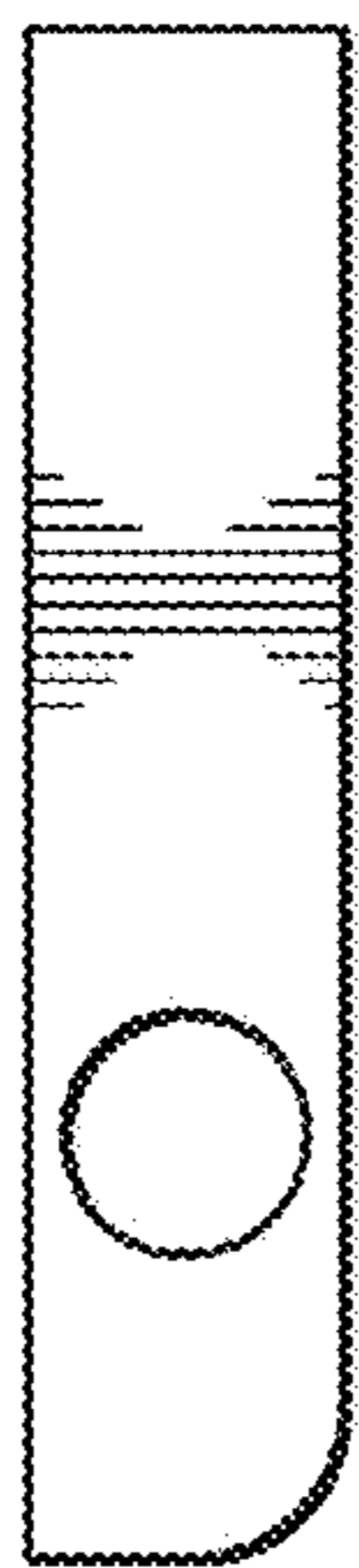


FIG. 5

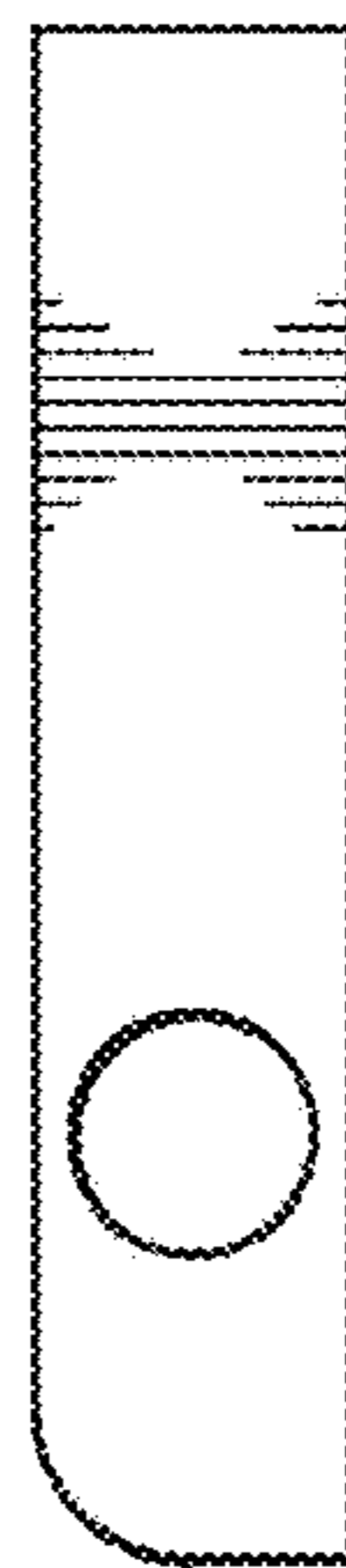


FIG. 6



FIG. 7



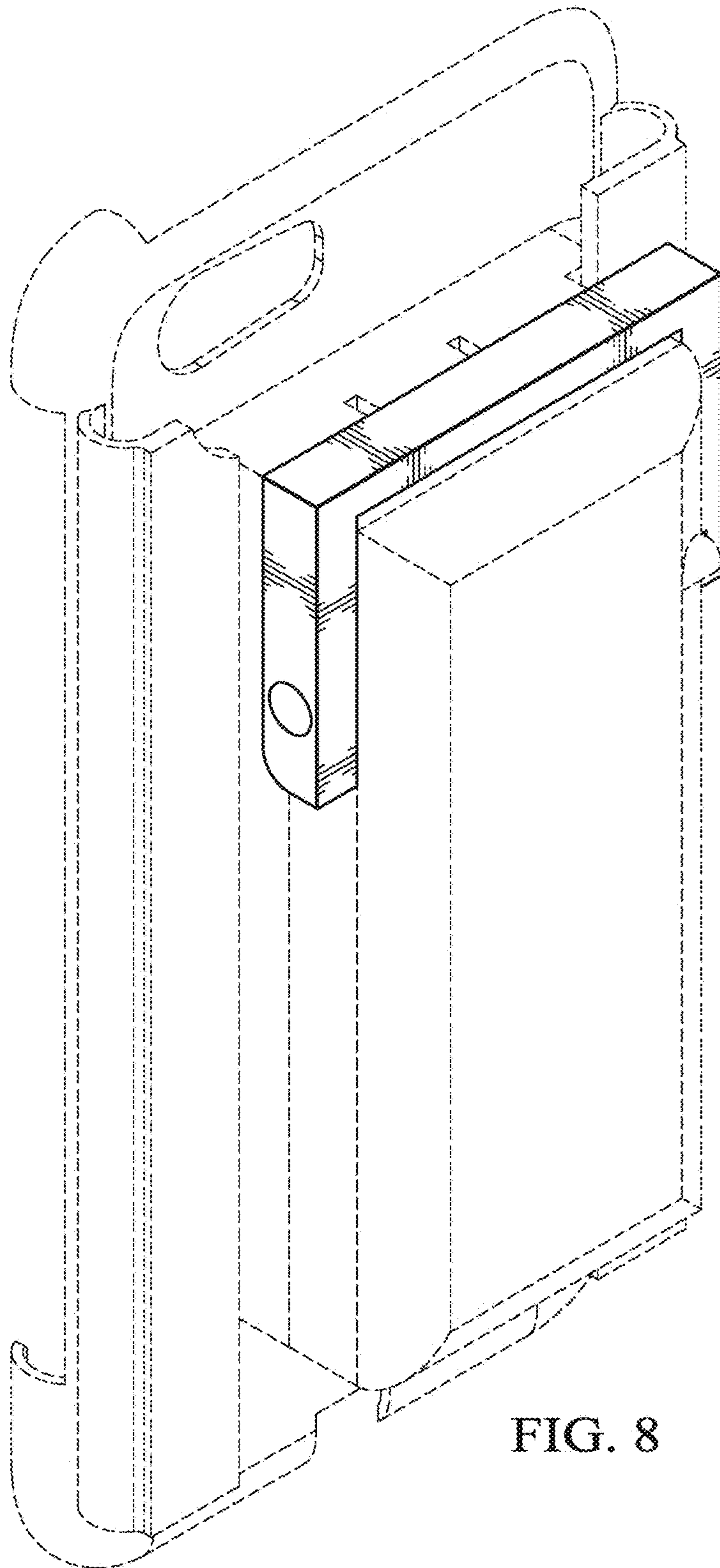


FIG. 8

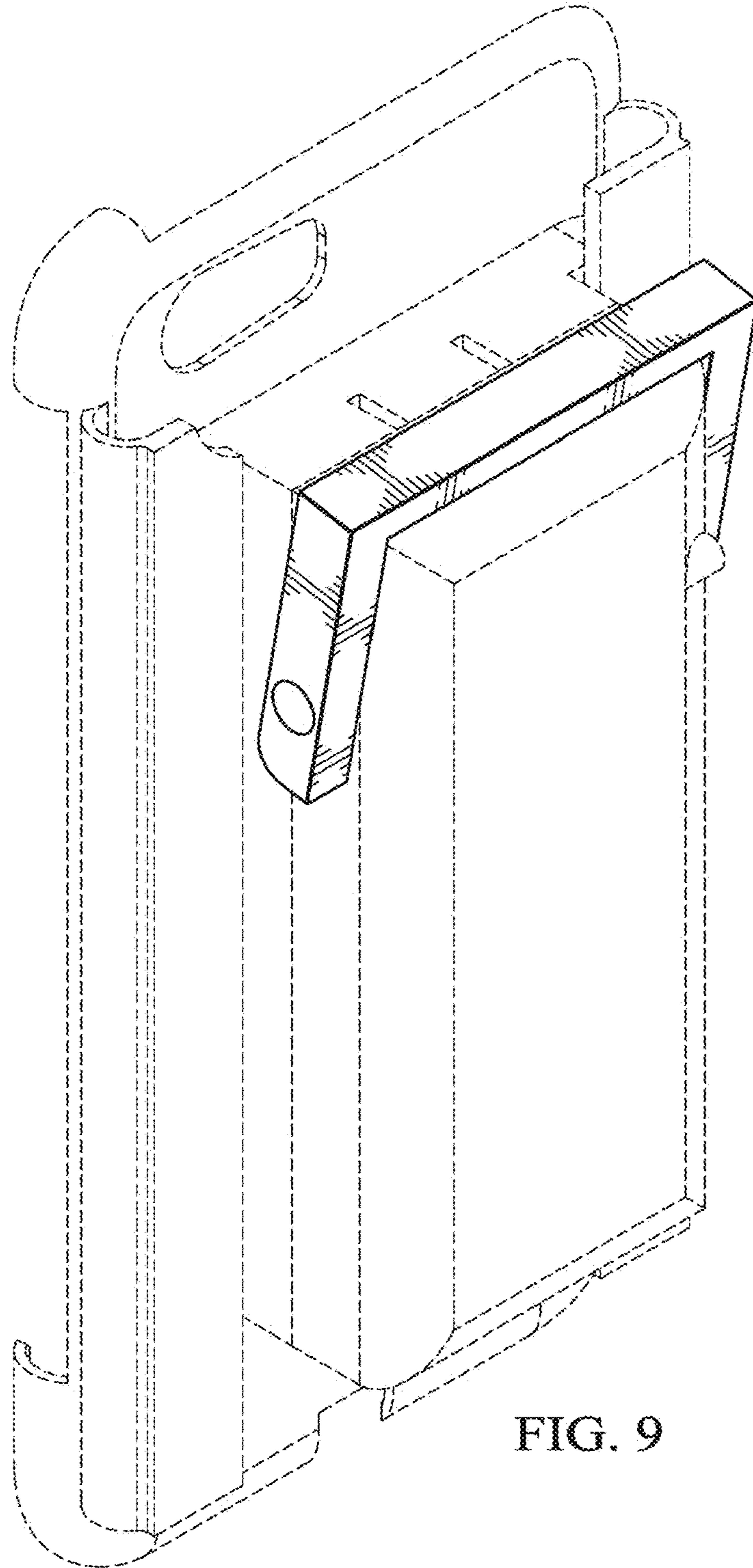


FIG. 9

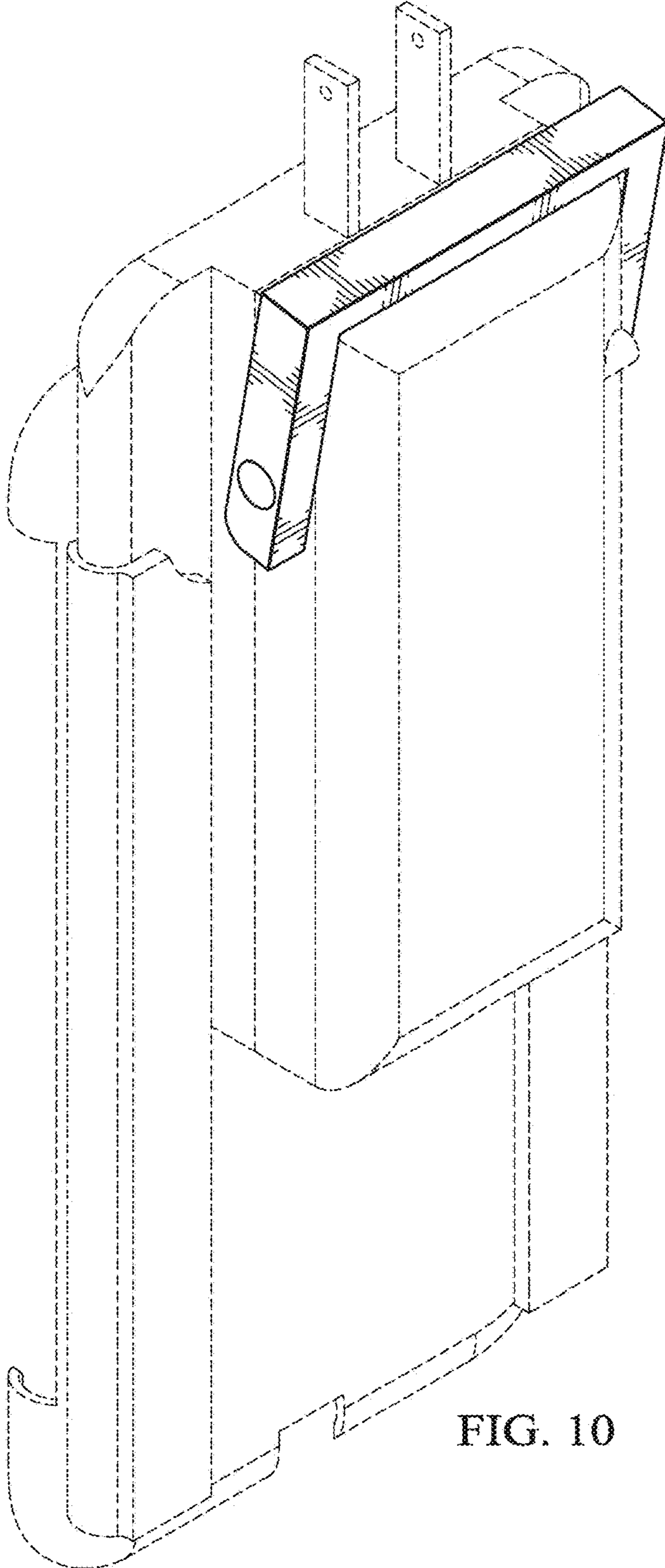


FIG. 10