



US00D839184S

(12) **United States Design Patent**
Li

(10) **Patent No.:** **US D839,184 S**

(45) **Date of Patent:** **** Jan. 29, 2019**

(54) **BATTERY CHARGER**

(71) Applicant: **Getac Technology Corporation,**
Hsinchu County (TW)

(72) Inventor: **Chun-Hsing Li,** Taipei (TW)

(73) Assignee: **GETAC TECHNOLOGY**
CORPORATION, Hsinchu County
(TW)

(**) Term: **15 Years**

(21) Appl. No.: **29/584,642**

(22) Filed: **Nov. 16, 2016**

(51) **LOC (11) Cl.** **13-02**

(52) **U.S. Cl.**
USPC **D13/107**

(58) **Field of Classification Search**
USPC D13/102–108, 110, 118–119, 184, 199;
D14/251, 253, 432, 434
CPC Y02E 60/10; Y02E 60/12; Y02E 60/122;
Y02E 60/124; Y02E 60/50; H01M 2/02;
H01M 2/022; H01M 2/0202; H01M
2/0207; H01M 2/0212; H01M 2/1061;
H01M 2/1022; H01M 2/1055; H01M
2/1066; H01M 2/105; H01M 2/204;
H01M 10/4257; H01M 10/0436; H01M
10/48

See application file for complete search history.

(56) **References Cited**

U.S. PATENT DOCUMENTS

D278,426 S * 4/1985 Lanci D13/107
D322,060 S * 12/1991 Iino D13/107
D327,247 S * 6/1992 Higuchi D13/108
D328,450 S * 8/1992 Watanabe D13/108

D427,965 S * 7/2000 Wu D13/107
6,828,759 B1 * 12/2004 Xiong H02J 7/0052
320/116
D601,953 S * 10/2009 Asai D13/107
D609,637 S * 2/2010 Chu D13/108
D609,638 S * 2/2010 Biheller D13/108
D611,906 S * 3/2010 Takada D13/147
D693,297 S * 11/2013 Inskeep D13/103
D703,719 S * 4/2014 Boyle D16/237
D721,648 S * 1/2015 Breines D13/107

* cited by examiner

Primary Examiner — Jennifer Rivard

Assistant Examiner — Alison M Ofstun

(74) *Attorney, Agent, or Firm* — Locke Lord LLP; Tim
Tingkang Xia, Esq.

(57) **CLAIM**

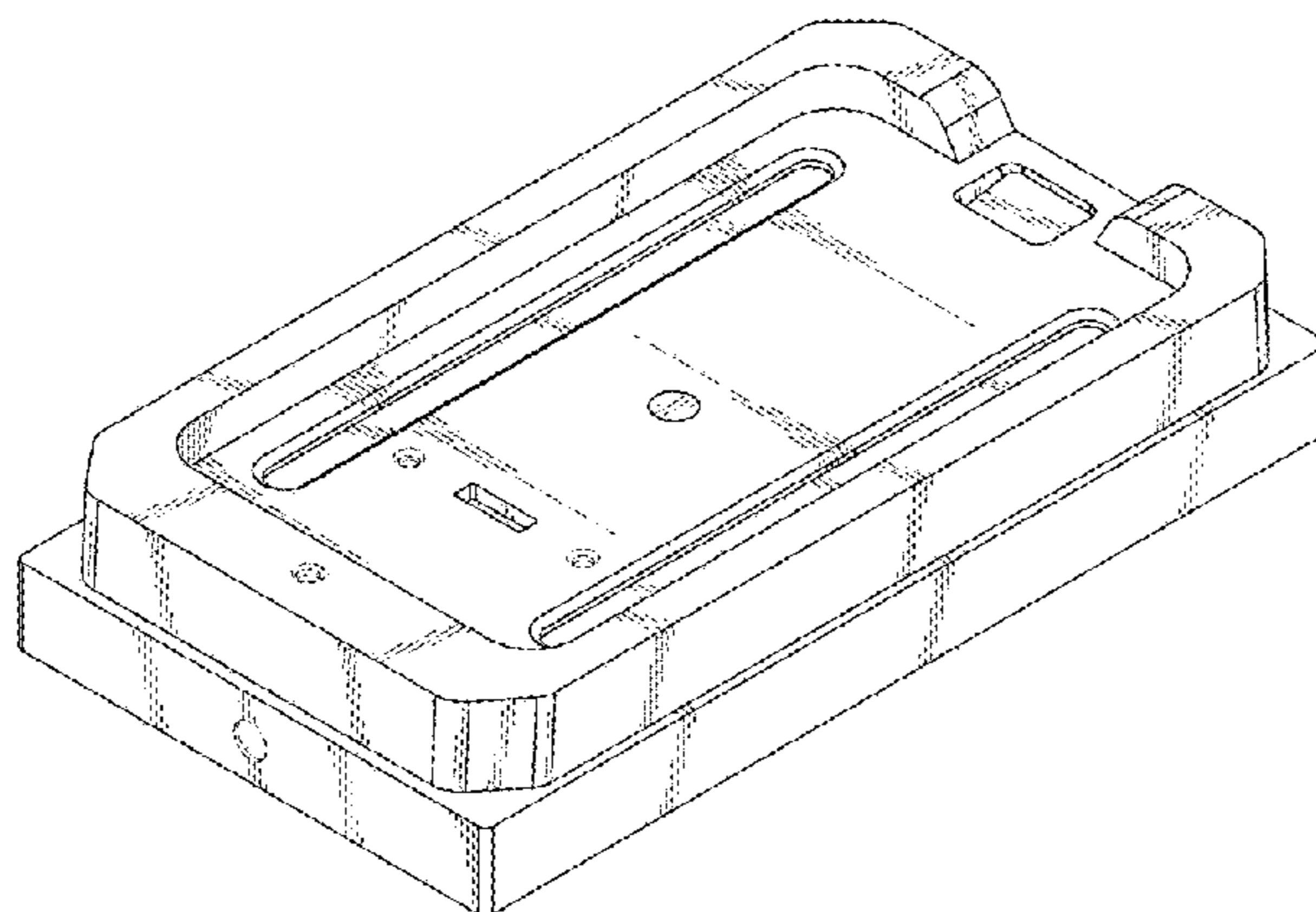
The ornamental design for a battery charger, as shown and
described.

DESCRIPTION

FIG. 1 is a top front right perspective view of a battery
charger, showing my new design;
FIG. 2 is a front view thereof;
FIG. 3 is a rear view thereof;
FIG. 4 is a left side view thereof;
FIG. 5 is a right side view thereof;
FIG. 6 is a top view thereof;
FIG. 7 is a bottom view thereof;
FIG. 8 is a perspective view thereof, shown in an environ-
ment of use; and,
FIG. 9 is an enlarged cross-sectional view along the line 9-9
of FIG. 2.

The broken lines represent environmental subject matter and
parts of the article, none of which form part of the claim.

1 Claim, 6 Drawing Sheets



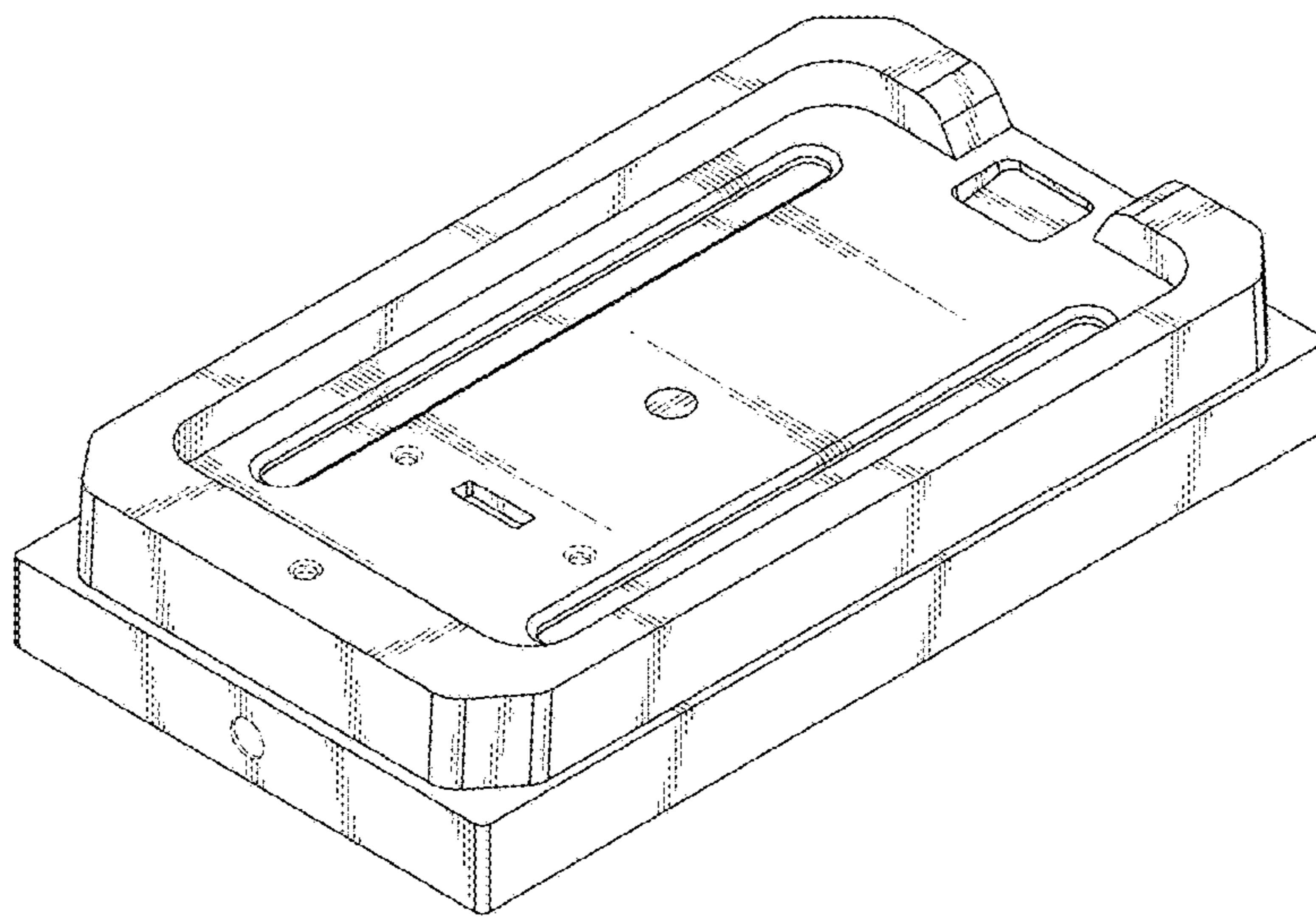


FIG. 1

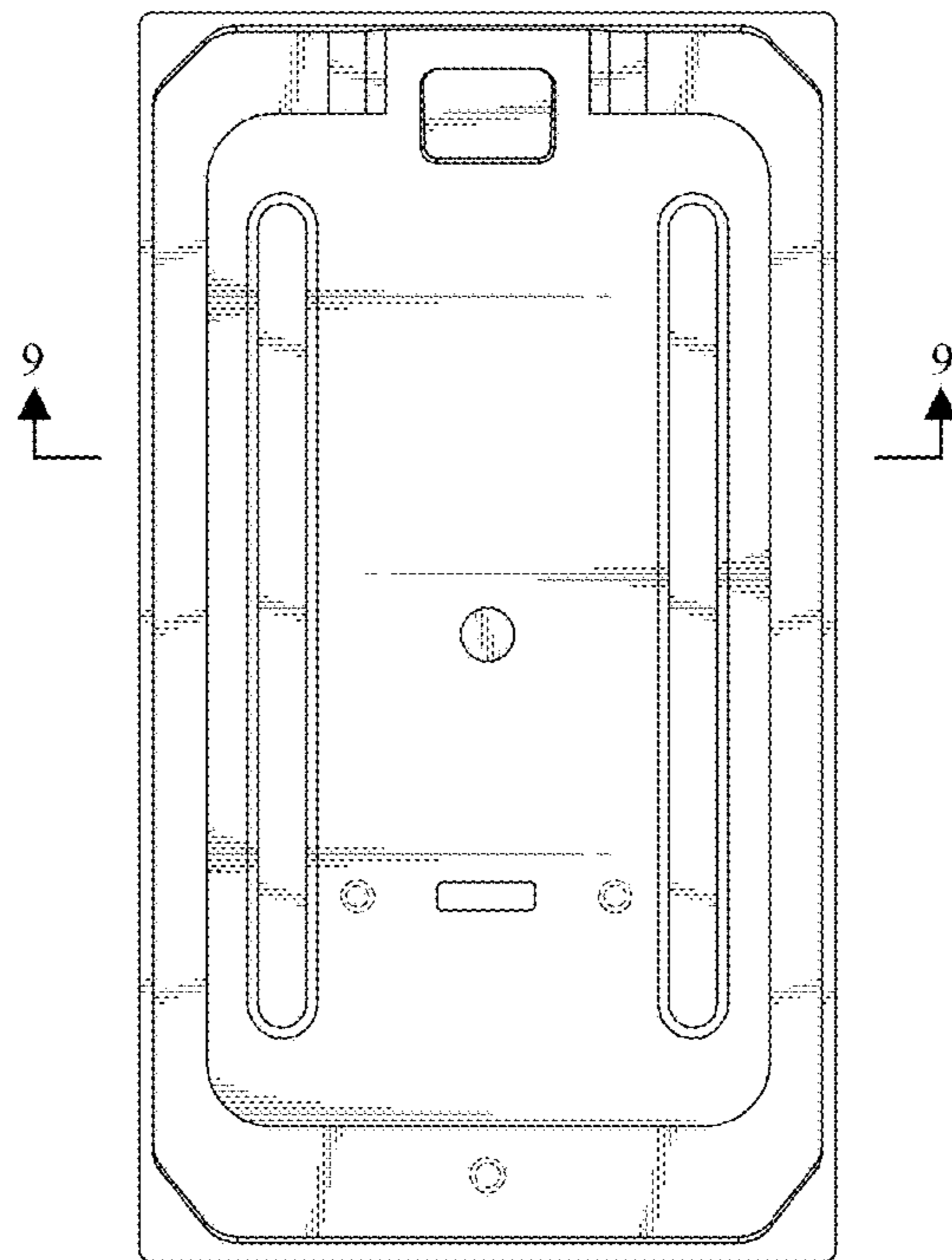


FIG. 2

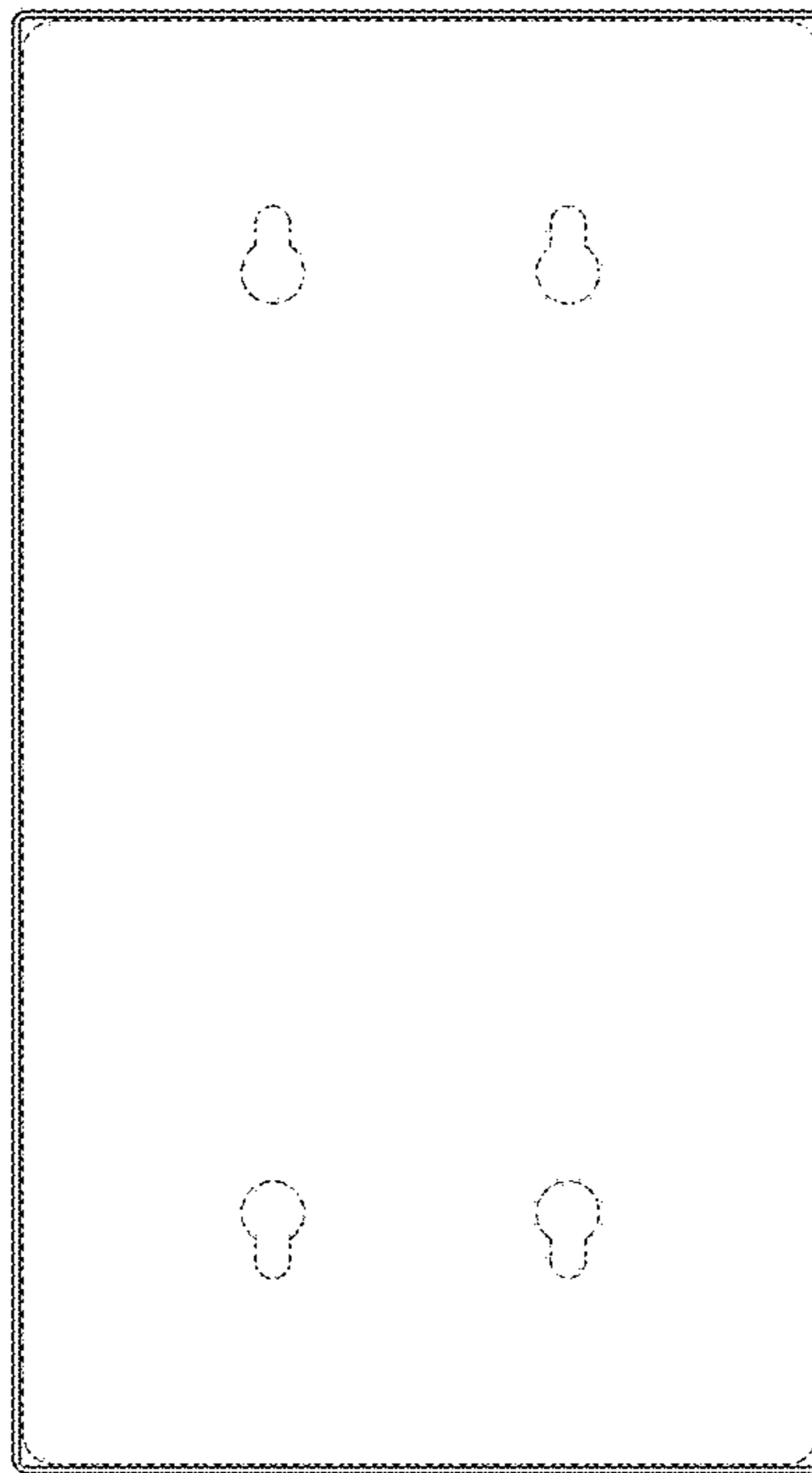


FIG. 3

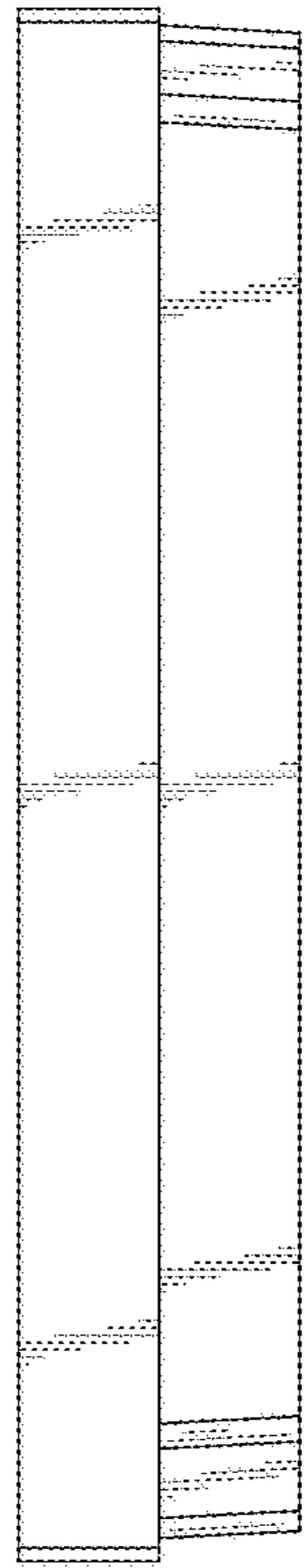


FIG. 4

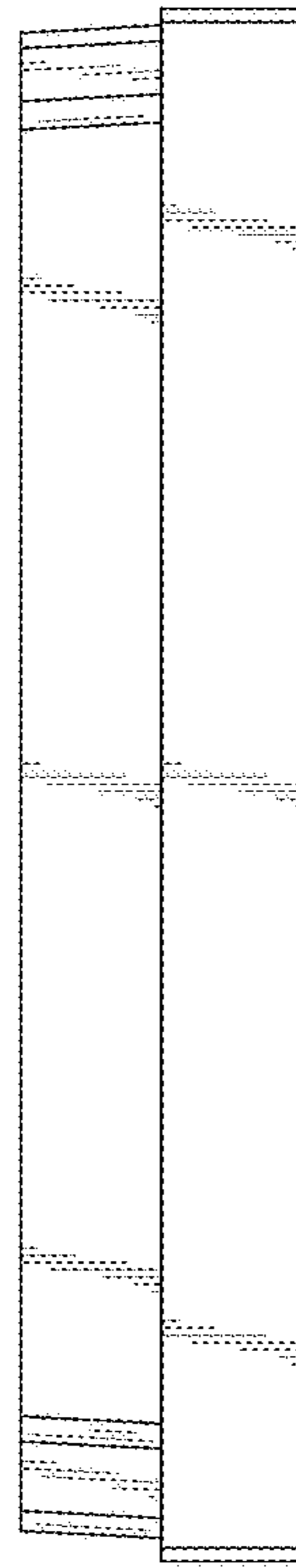


FIG. 5

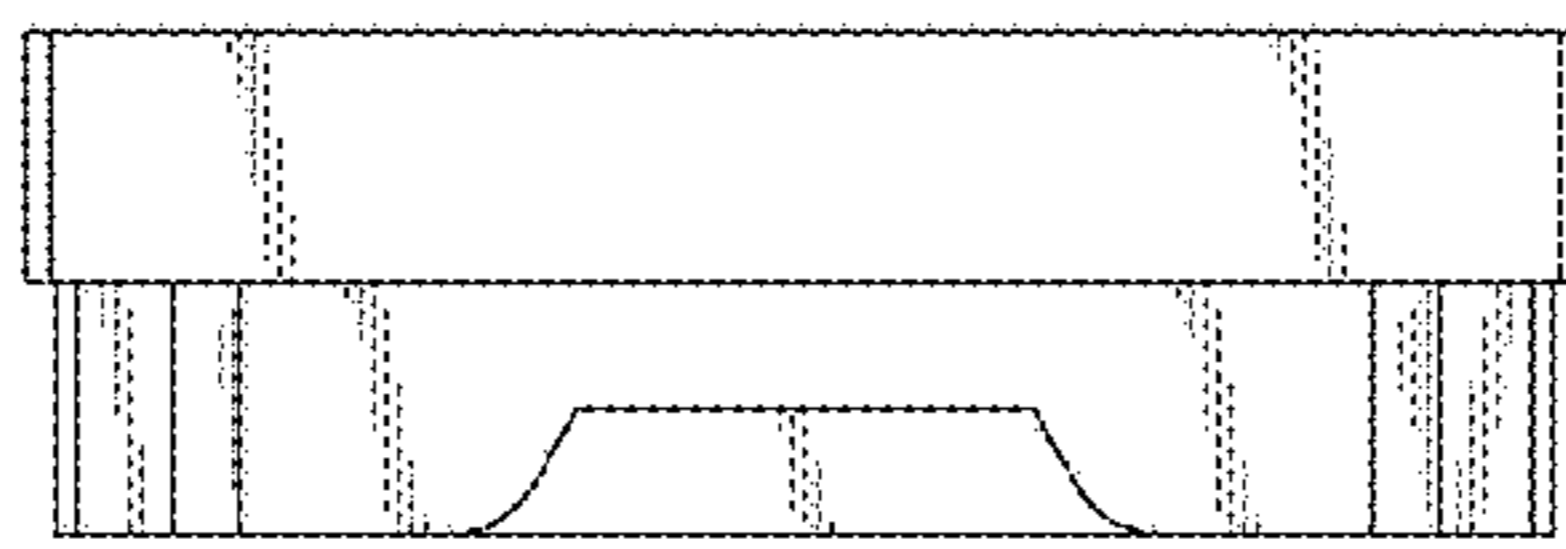


FIG. 6

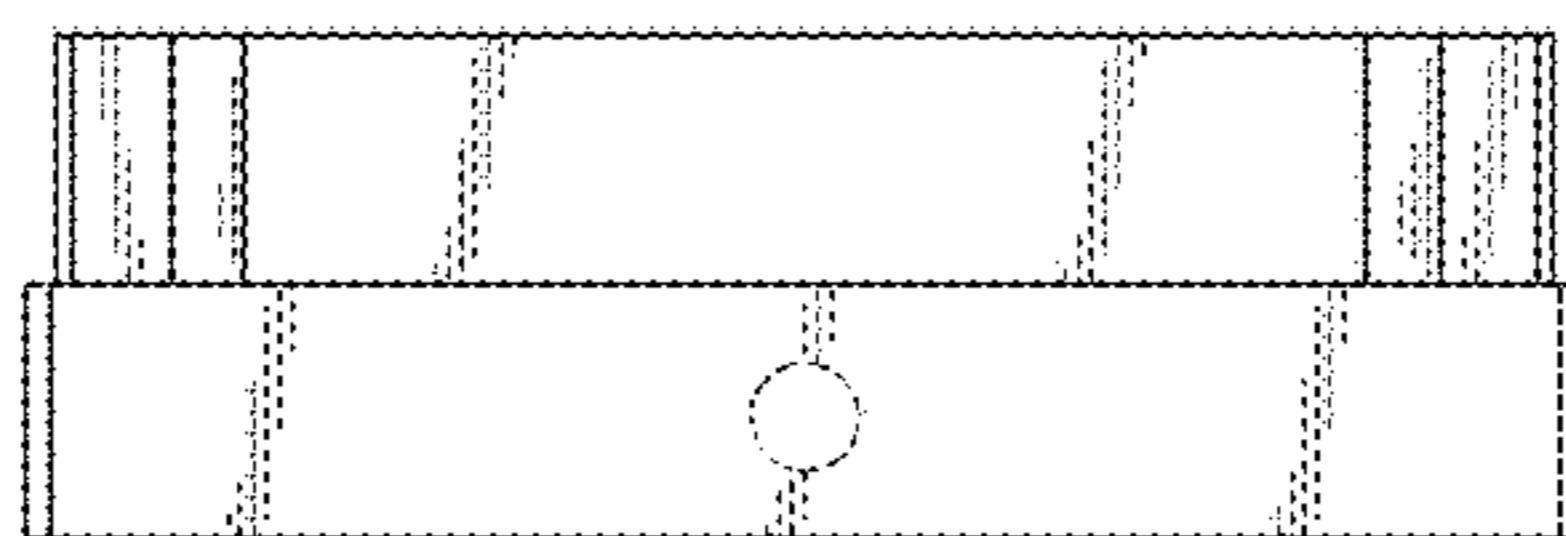


FIG. 7

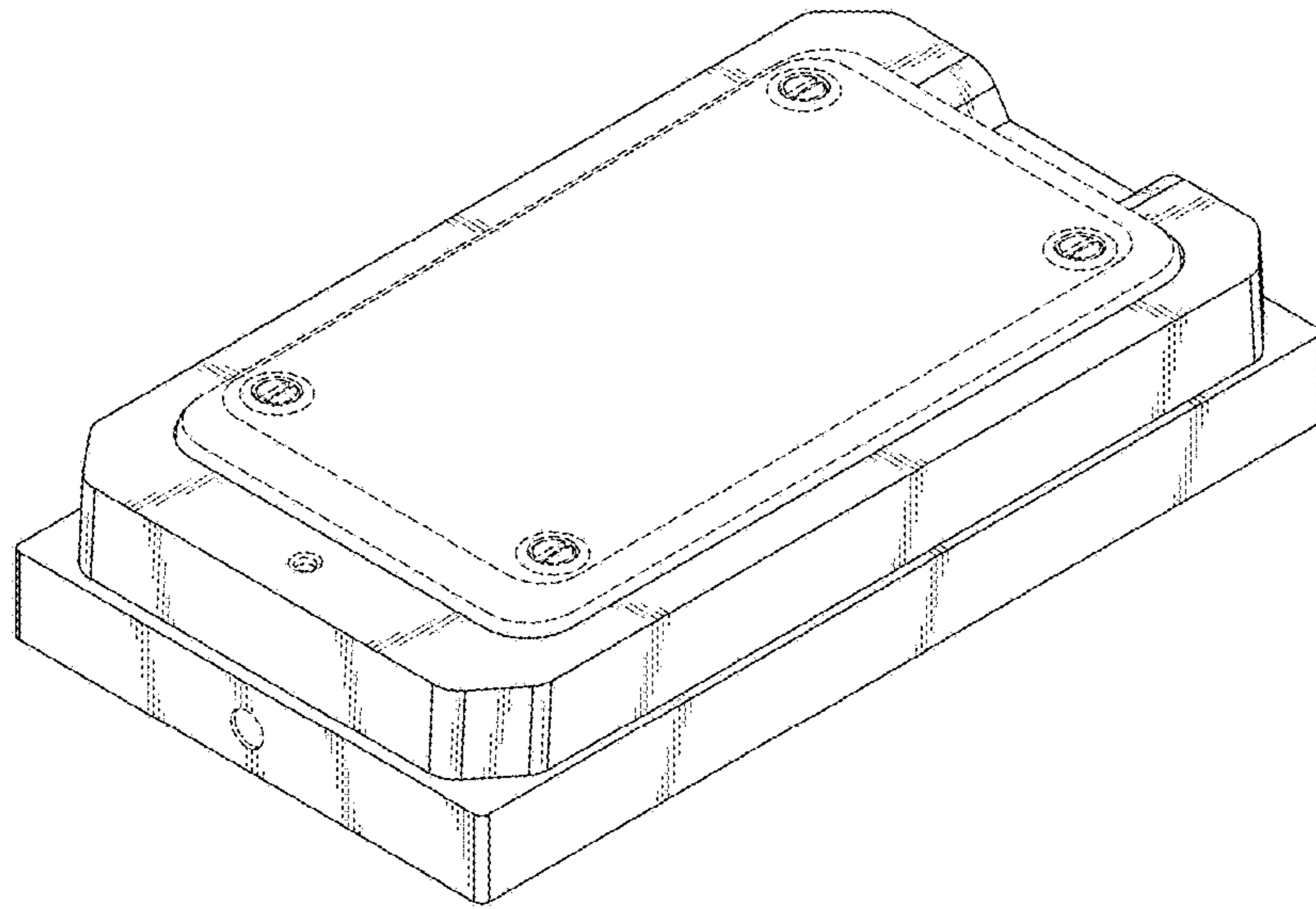


FIG. 8

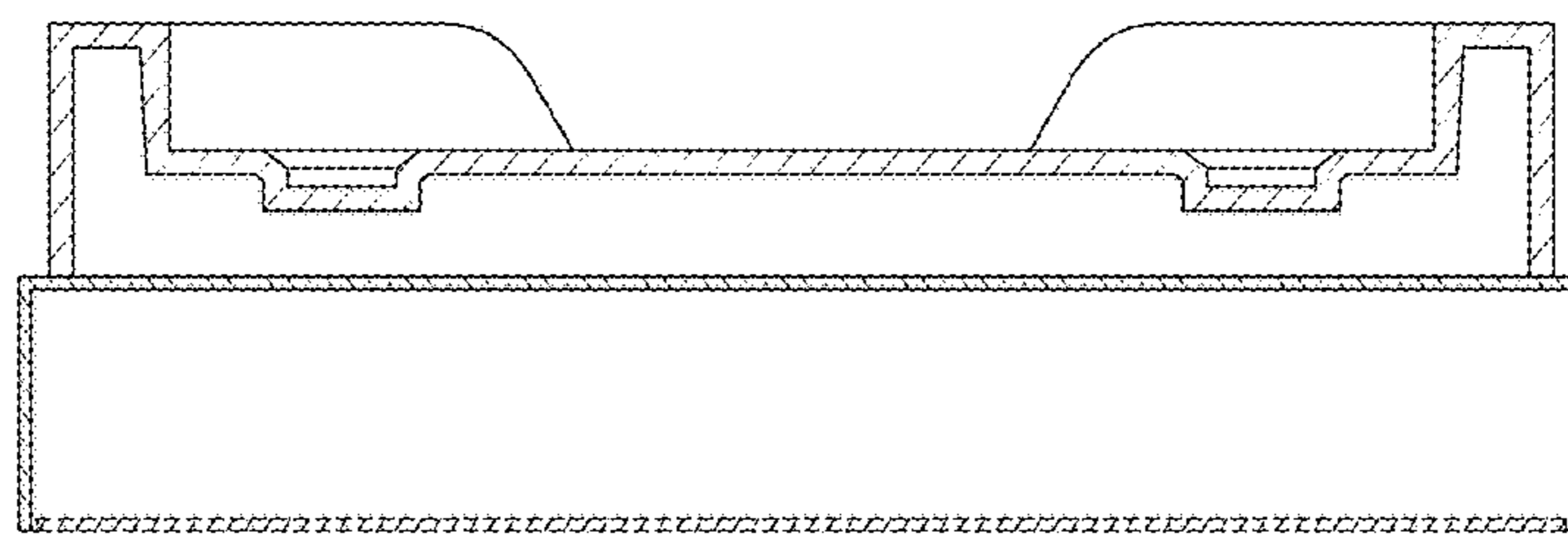


FIG. 9