



US00D839182S

(12) **United States Design Patent**
Zeng

(10) **Patent No.:** **US D839,182 S**

(45) **Date of Patent:** **** Jan. 29, 2019**

(54) **LED SOLAR STREET LIGHT**

(71) Applicant: **Hongbin Zeng**, Jiangxi (CN)

(72) Inventor: **Hongbin Zeng**, Jiangxi (CN)

(**) Term: **15 Years**

(21) Appl. No.: **29/638,322**

(22) Filed: **Feb. 26, 2018**

(51) **LOC (11) Cl.** **13-02**

(52) **U.S. Cl.**
USPC **D13/102**

(58) **Field of Classification Search**
USPC D13/101, 102, 103, 104, 105, 106, 118,
D13/184, 199; D26/51, 56, 60, 62, 67,
D26/69

CPC H01L 31/00; H01L 31/02; H01L 31/042;
H01L 31/045; H01L 31/046; H01L
31/048; H01L 31/05; H01L 31/052; H01L
31/0525; H02S 30/00; H02S 20/10; H02S
20/23; H02S 20/30; H02S 40/34; H02S
40/44; H02S 30/10; F24J 2/52; F03G
6/00

See application file for complete search history.

(56) **References Cited**

U.S. PATENT DOCUMENTS

D625,864 S *	10/2010	Lo	D26/44
D630,577 S *	1/2011	Eubanks	D13/102
D654,853 S *	2/2012	Bacon	D13/103
D676,374 S *	2/2013	Chu	D13/102
D732,222 S *	6/2015	Recker	D26/68
D823,429 S *	7/2018	Wood	D23/208

* cited by examiner

Primary Examiner — Daniel D Bui

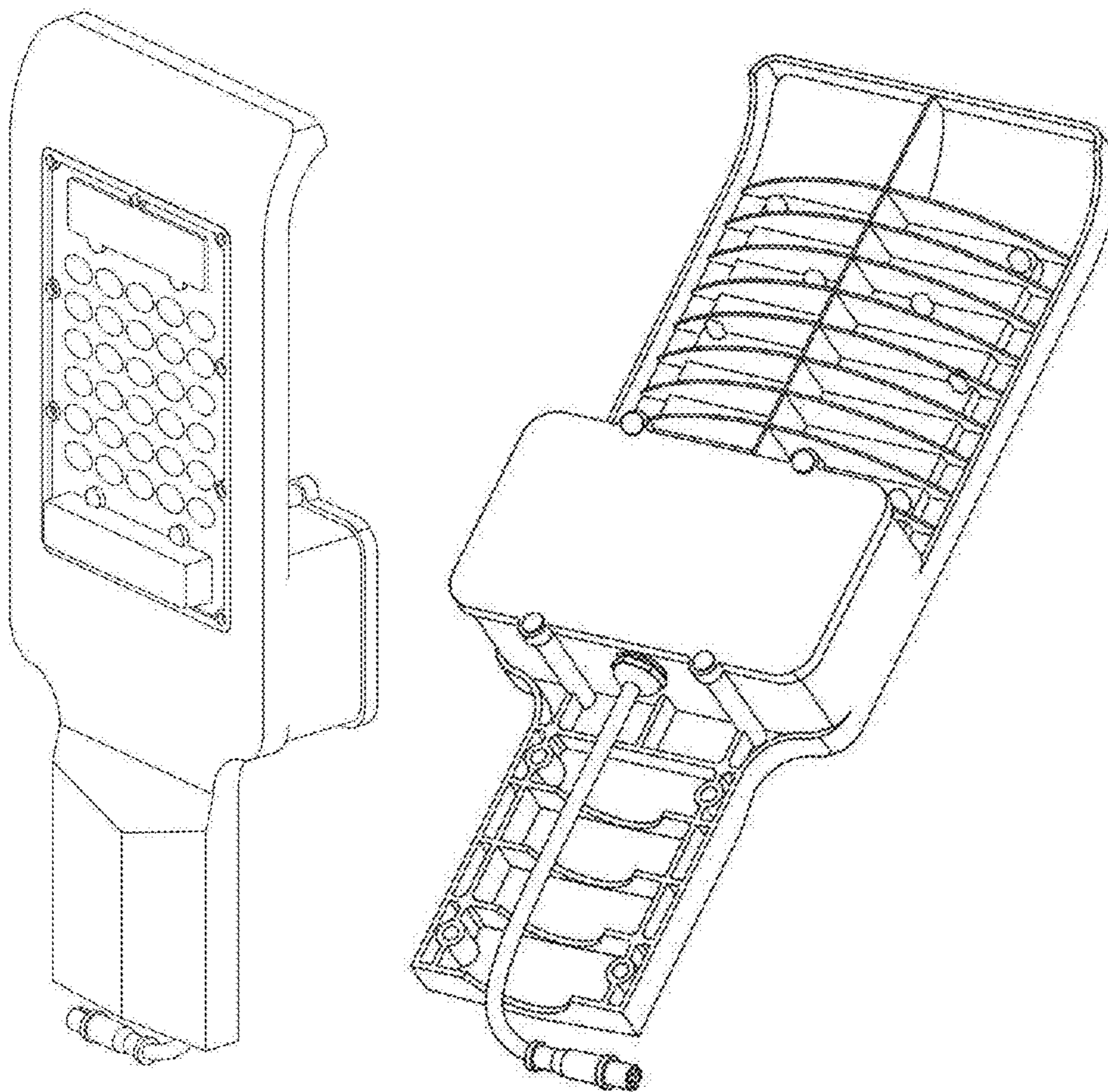
(57) **CLAIM**

The ornamental design for a LED solar street light, as shown and described.

DESCRIPTION

FIG. 1 is a front perspective view of a LED solar street light showing my new design;
FIG. 2 is a rear perspective view thereof;
FIG. 3 is a front elevation view thereof;
FIG. 4 is a rear elevation view thereof;
FIG. 5 is a right side elevation view thereof;
FIG. 6 is a left side elevation view thereof;
FIG. 7 is a bottom plan view thereof, on a larger scale; and,
FIG. 8 is a top plan view thereof.

1 Claim, 7 Drawing Sheets



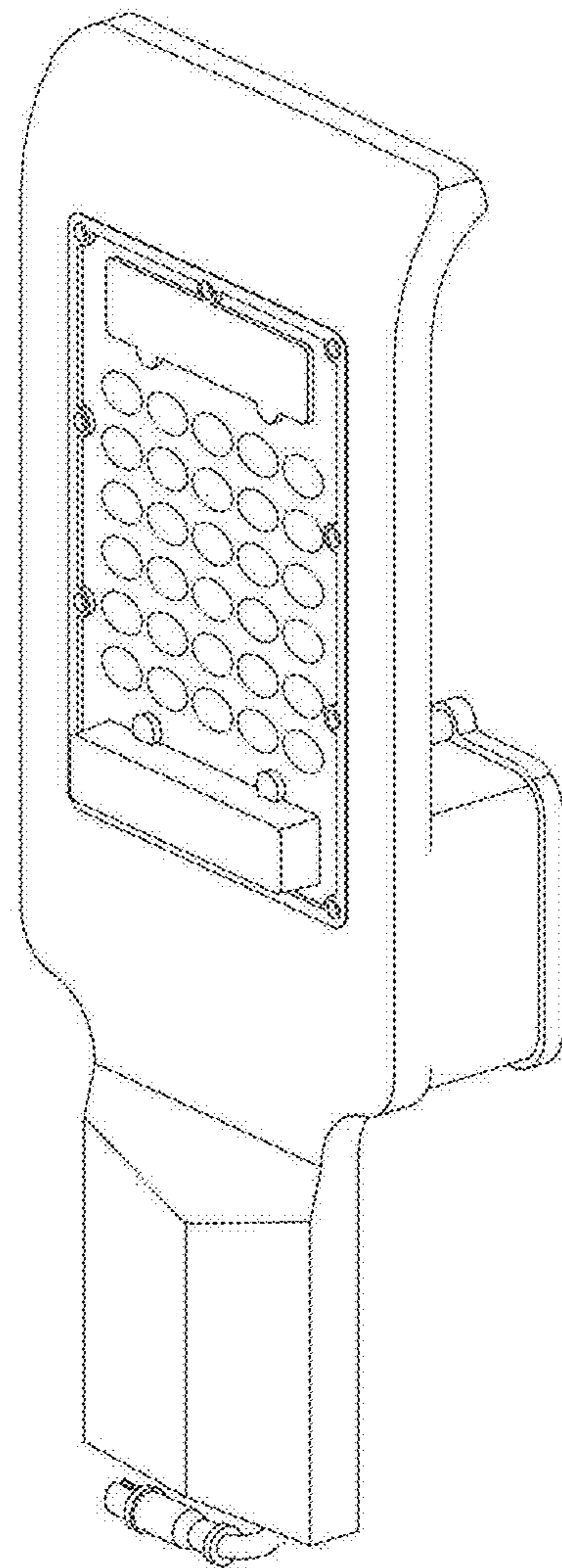


FIG.1

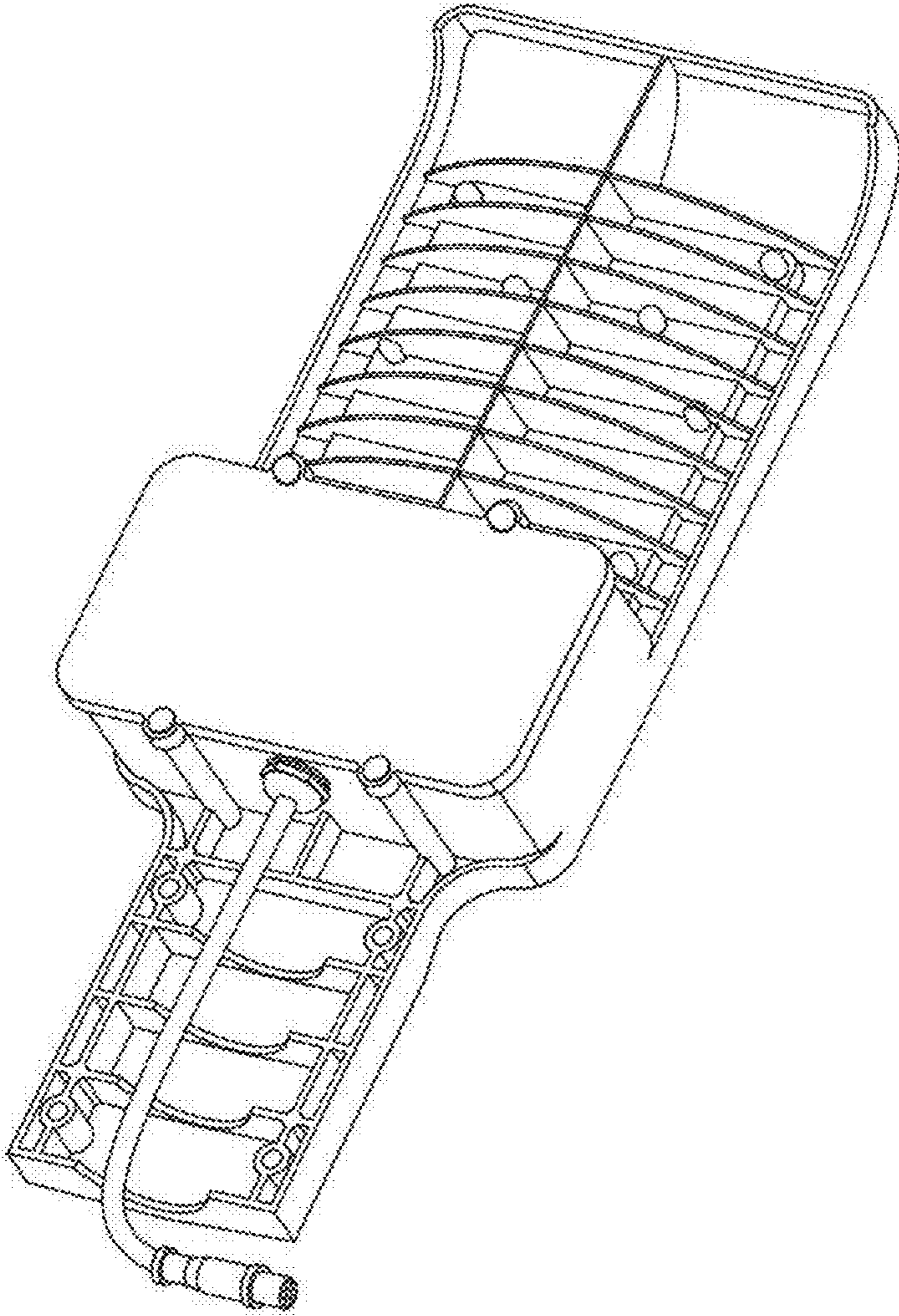


FIG.2

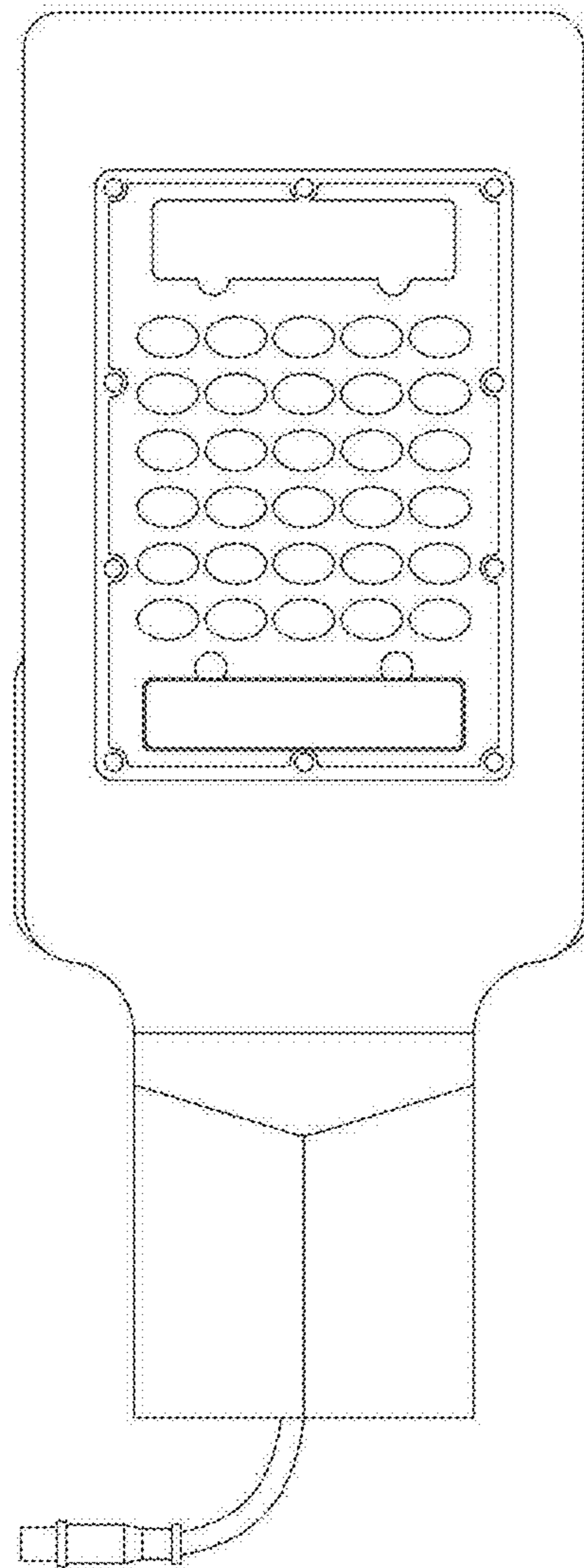


FIG. 3

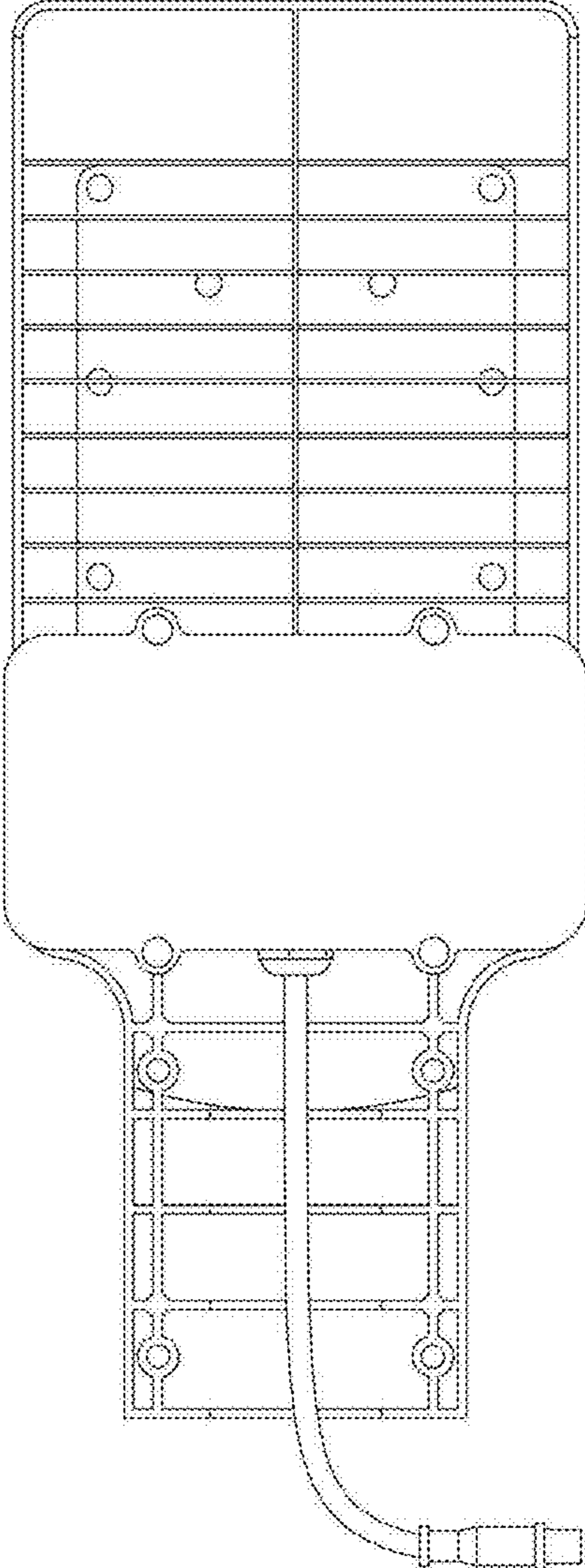


FIG.4

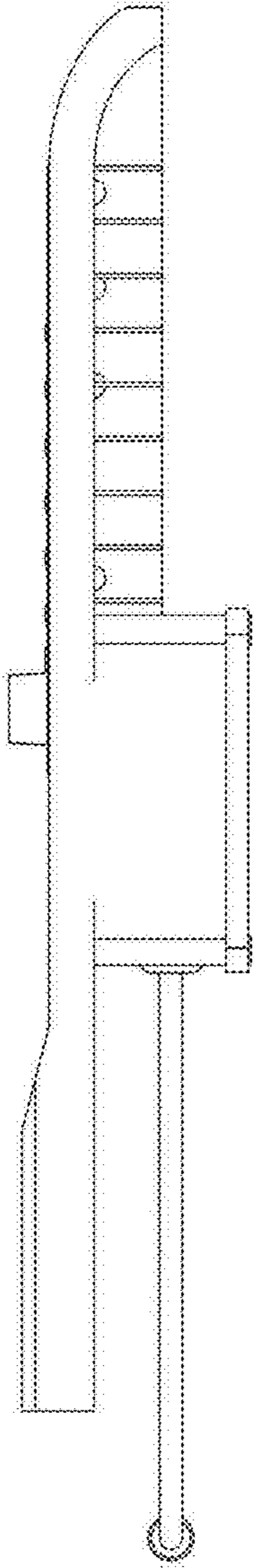


FIG.5

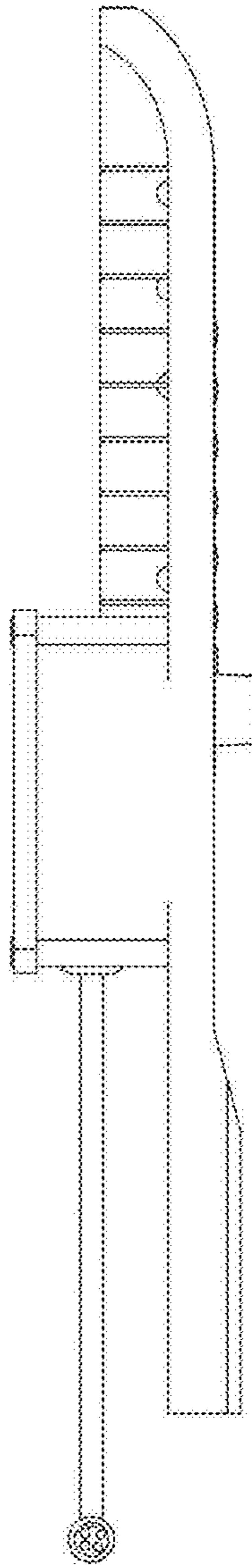


FIG.6

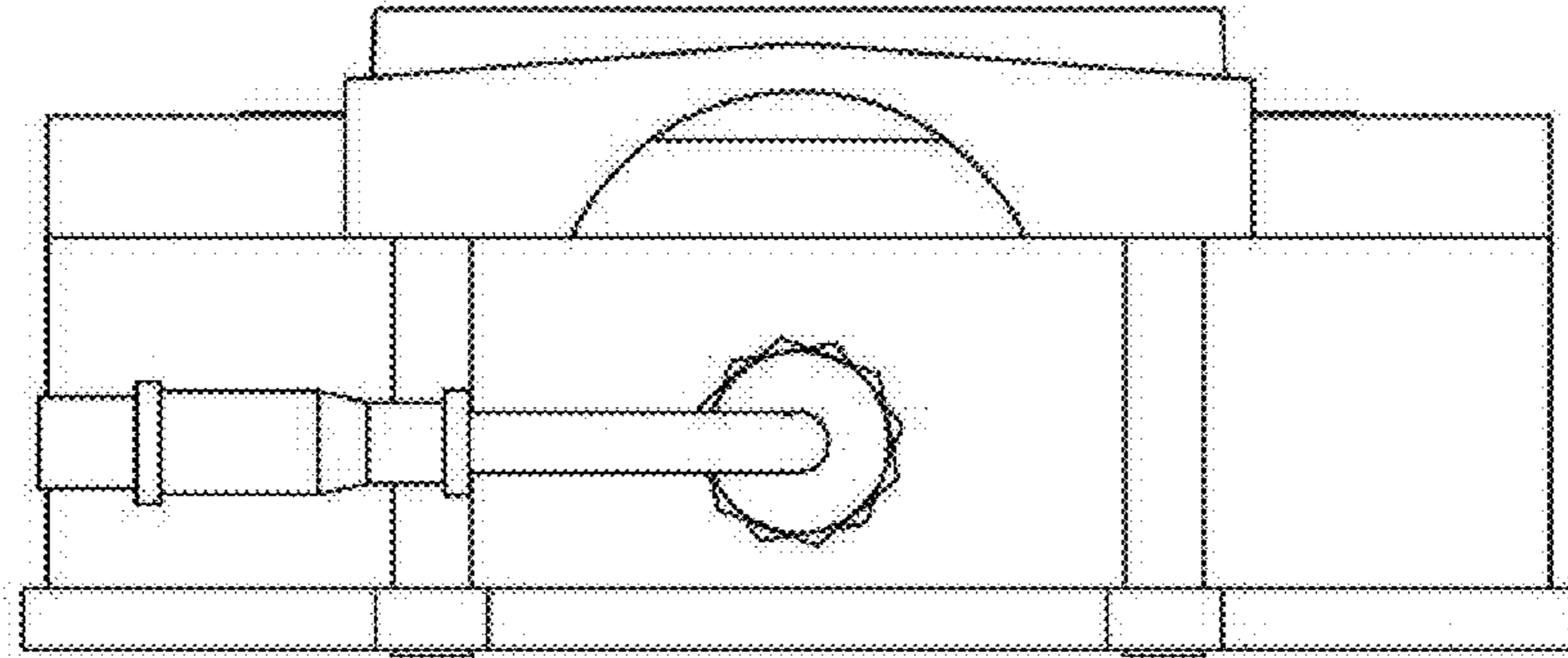


FIG. 7

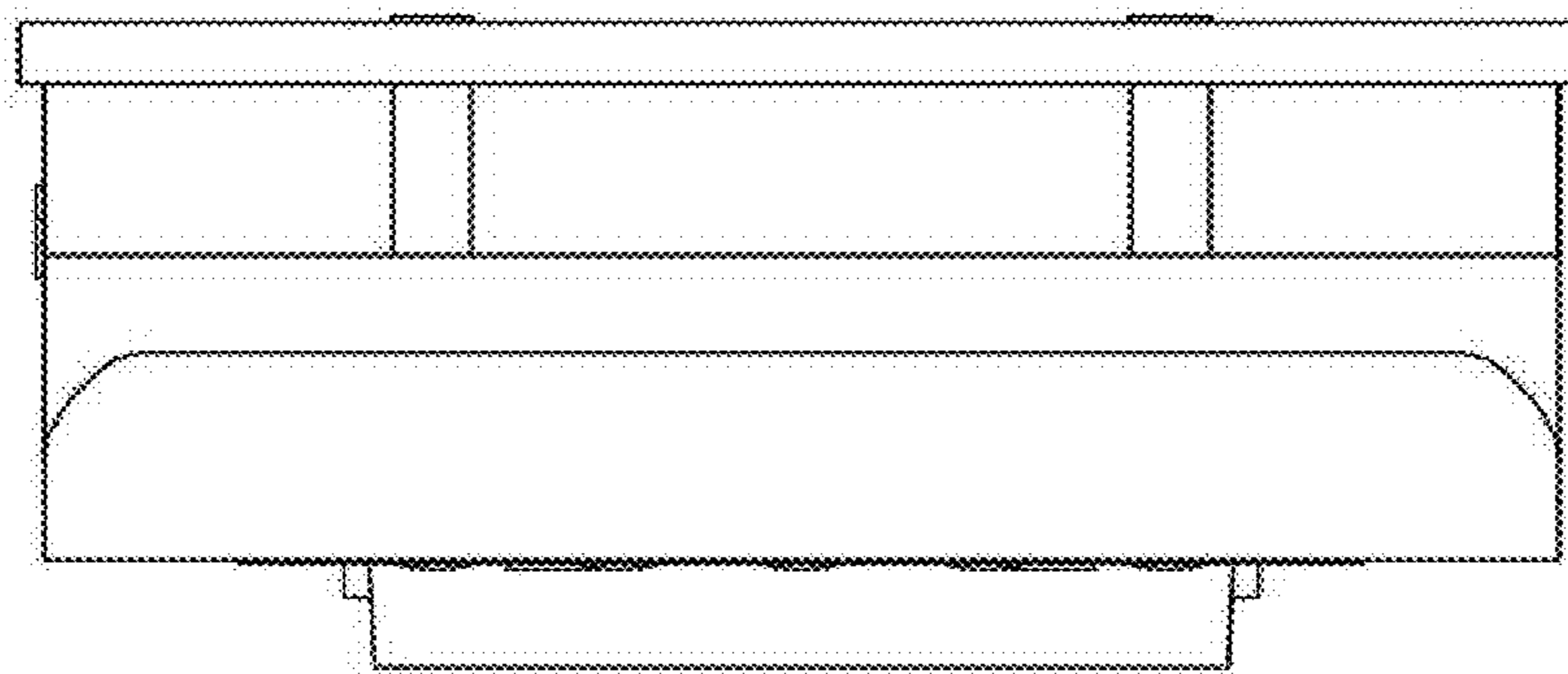


FIG. 8