



US00D839179S

(12) **United States Design Patent**
Hoover

(10) **Patent No.:** **US D839,179 S**
(45) **Date of Patent:** **** Jan. 29, 2019**

(54) **FIRE DISK WITH FUSE**
(71) Applicant: **Douglas Clayton Hoover**, Escondido,
CA (US)
(72) Inventor: **Douglas Clayton Hoover**, Escondido,
CA (US)
(**) Term: **15 Years**
(21) Appl. No.: **29/505,964**
(22) Filed: **May 2, 2016**
(51) **LOC (11) Cl.** **23-05**
(52) **U.S. Cl.**
USPC **D13/100**
(58) **Field of Classification Search**
USPC D13/100, 184, 199; D1/100-130, 199;
44/500, 502-505, 519, 530, 531, 532,
44/533, 543, 545, 576, 579, 590, 594,
44/595, 596, 603, 606; D6/596, 601;
D19/187; D32/40-43; 15/424; D9/426,
D9/428; D7/416; D21/710;
D24/101-104
CPC Y02E 10/00; Y02E 50/30; Y02E 50/32;
Y02E 50/34; Y02E 50/343; Y02E 50/346;
C10L 1/02; C10L 1/04; C10L 1/14; F24B
15/005
See application file for complete search history.

3,339,505 A * 9/1967 Bean A47J 37/079
126/25 B
4,183,536 A * 1/1980 Platt A63B 67/14
273/DIG. 8
D305,752 S * 1/1990 Chow D13/100
D317,372 S * 6/1991 Rothamel D1/120
5,161,799 A * 11/1992 Nandra A63B 69/0026
473/194
5,564,698 A * 10/1996 Honey A63B 24/0021
348/E5.051
D703,262 S * 4/2014 Lochen D17/22
D730,275 S * 5/2015 Heimann D13/100
2005/0246946 A1 * 11/2005 Paplinski A47J 37/079
44/544

* cited by examiner

Primary Examiner — Derrick E Holland

(57) **CLAIM**

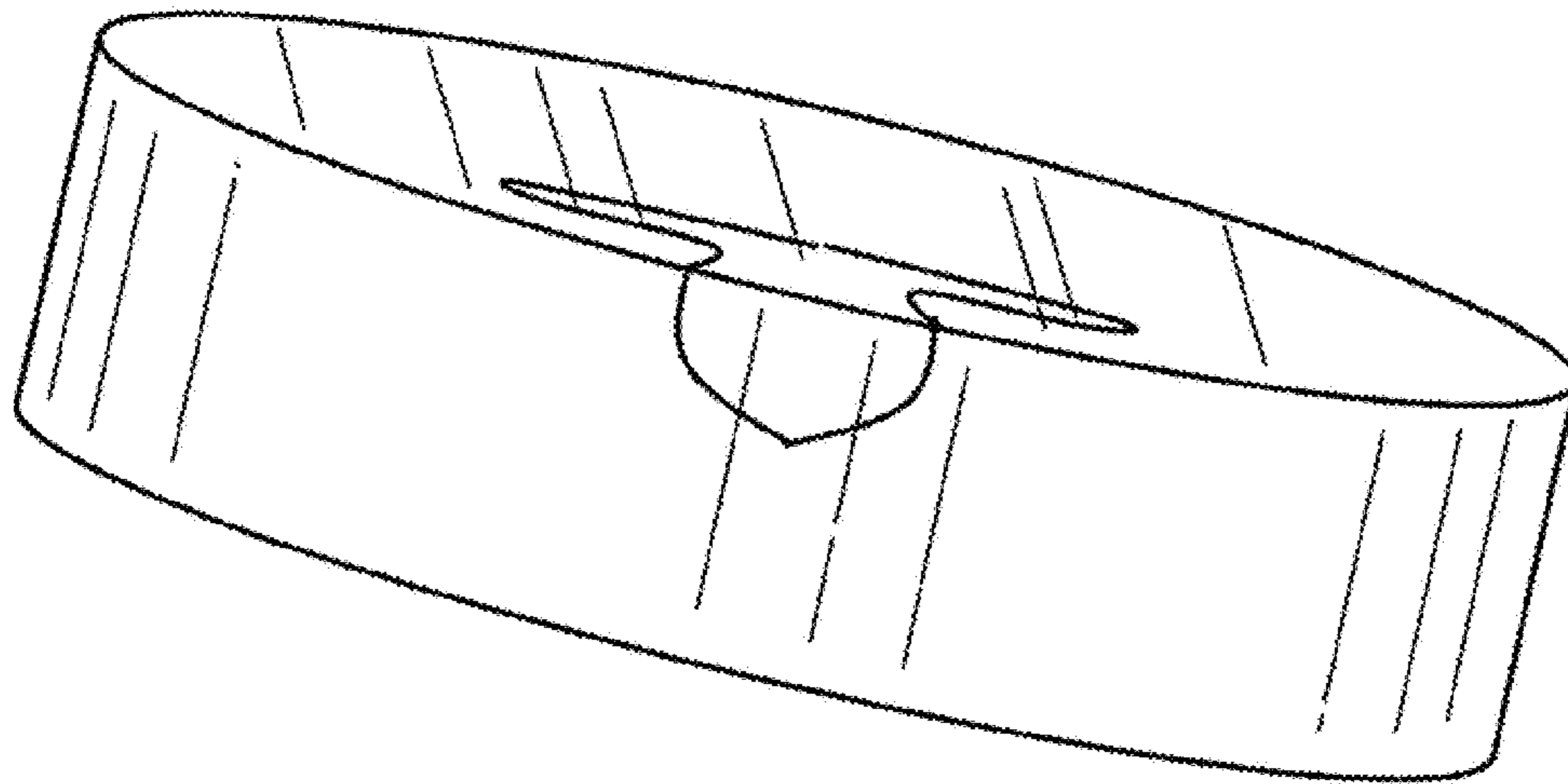
The ornamental design for a fire disk with fuse, as shown and described.

DESCRIPTION

FIG. 1 is a perspective view of a fire disk with fuse showing my new design;
FIG. 2 is a top plan view thereof;
FIG. 3 is a front elevation view thereof;
FIG. 4 is a rear elevation view thereof; and,
FIG. 5 is a bottom plan view thereof.

1 Claim, 1 Drawing Sheet

(56) **References Cited**
U.S. PATENT DOCUMENTS
660,863 A * 10/1900 Low C10L 5/44
44/606



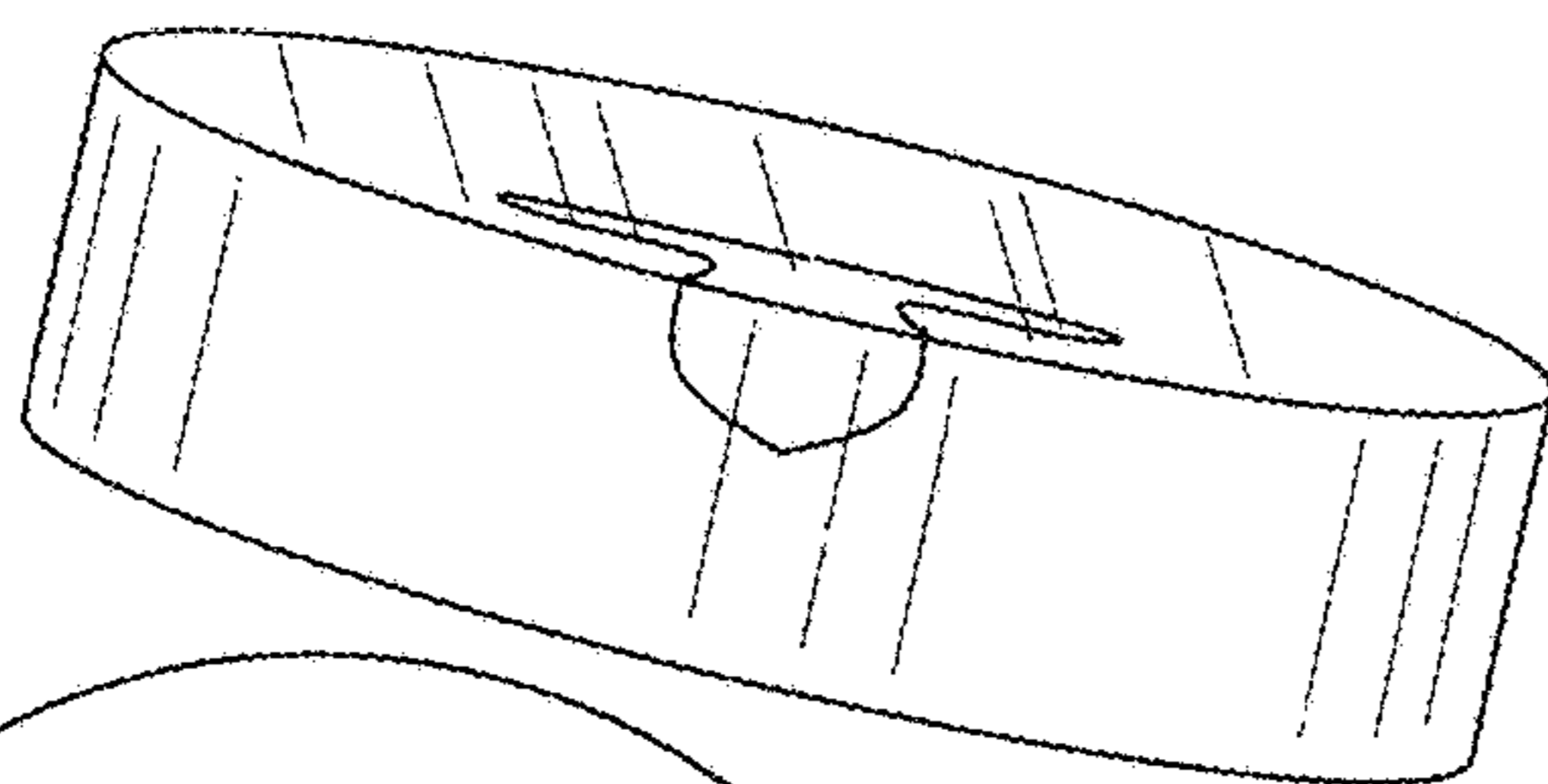


Fig. 1

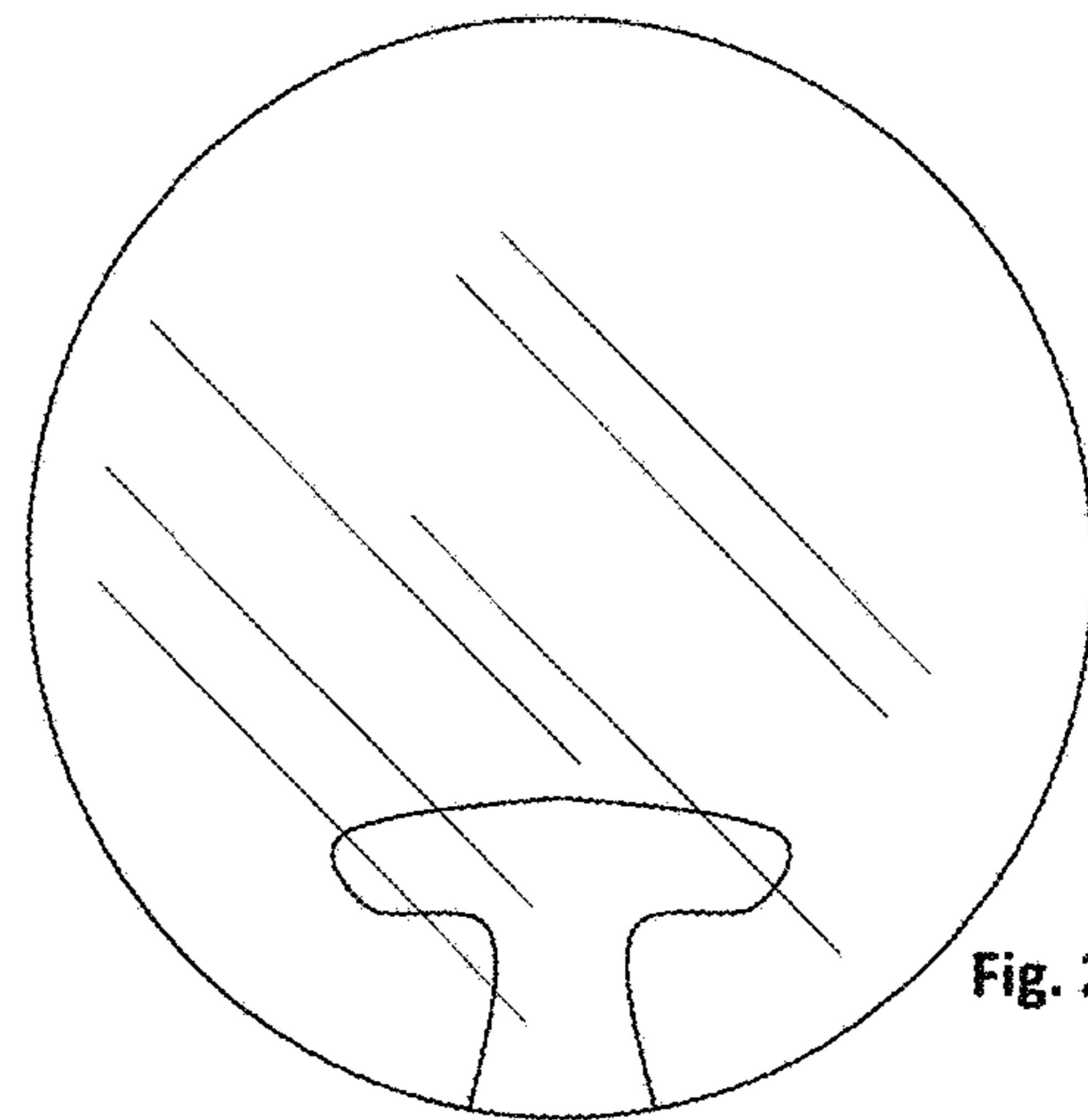


Fig. 2

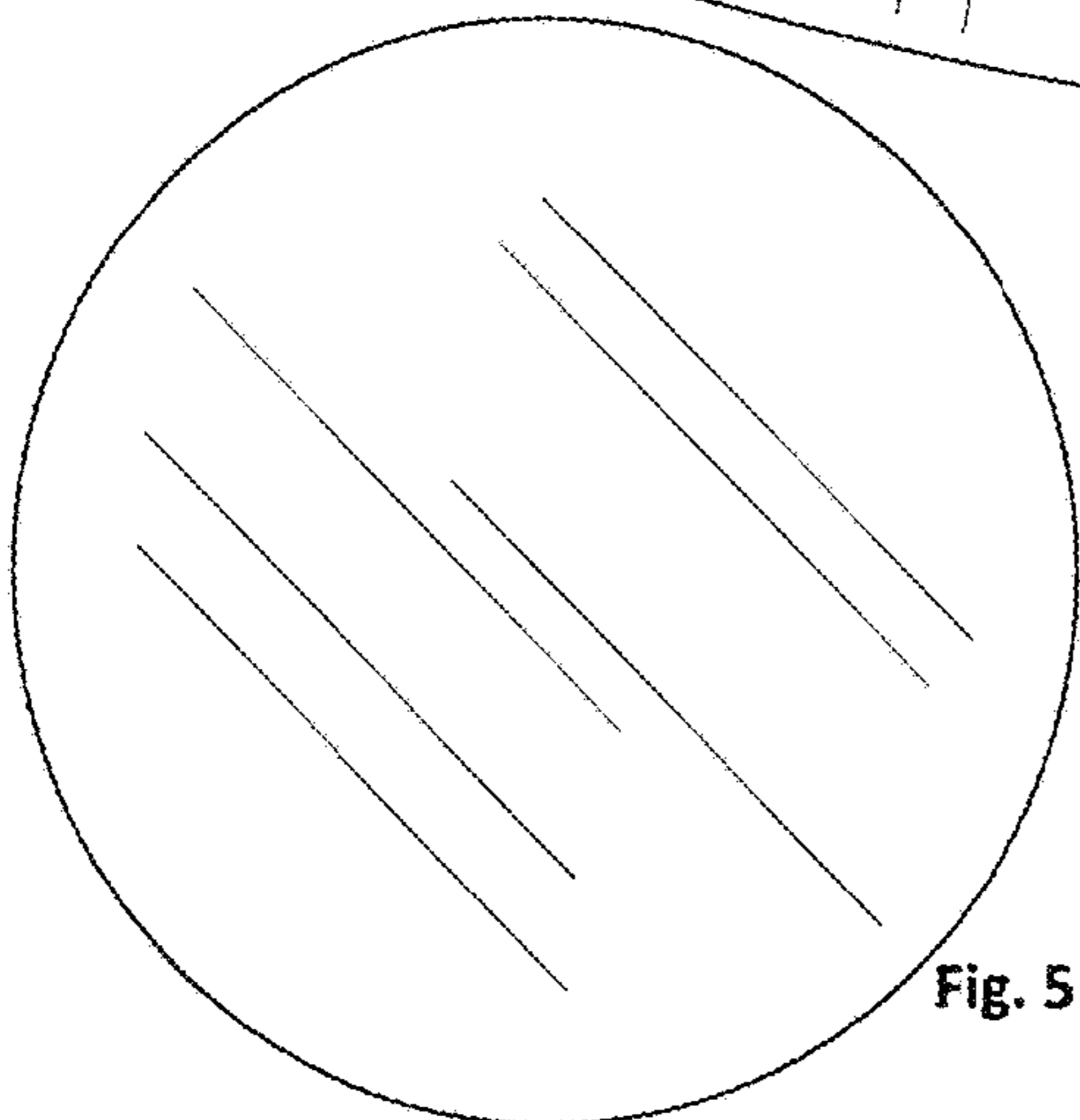


Fig. 5

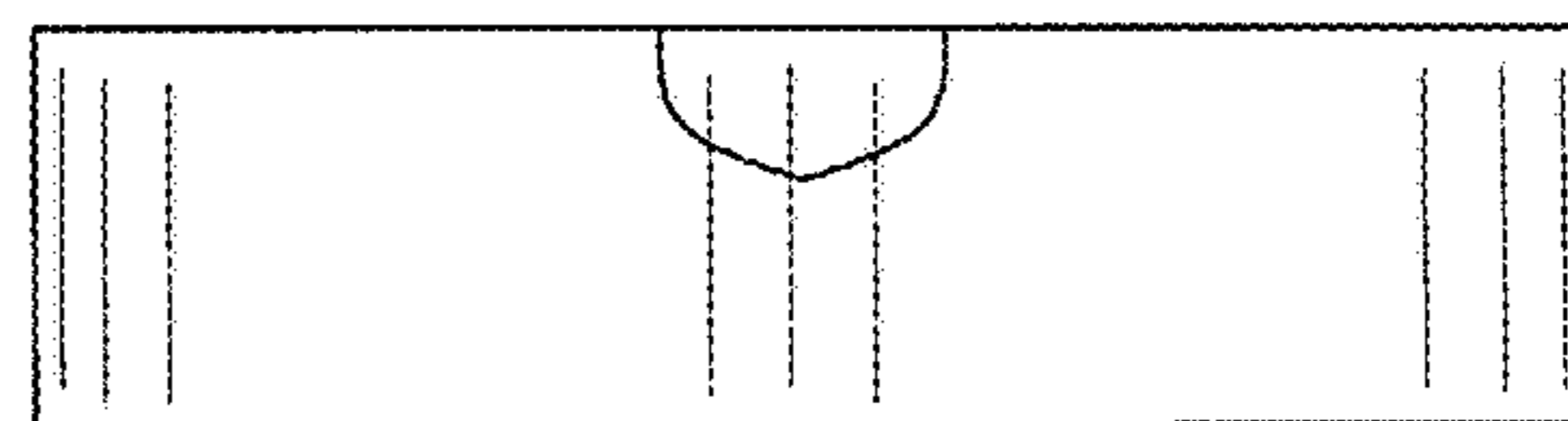


Fig. 3

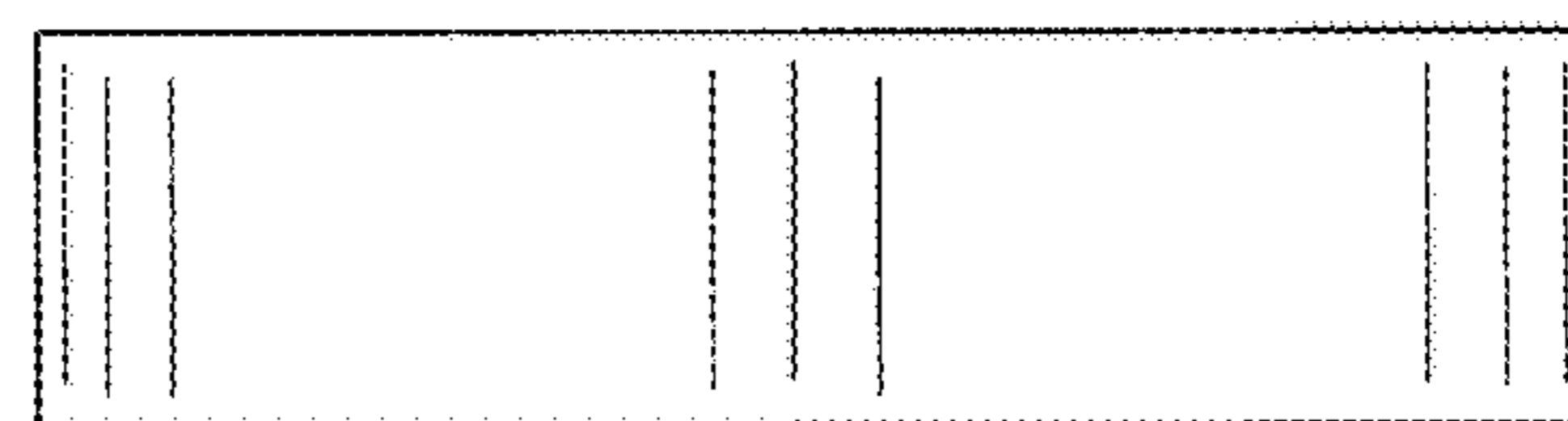


Fig. 4