



US00D839173S

(12) **United States Design Patent**  
**Berger et al.**

(10) **Patent No.:** **US D839,173 S**  
(45) **Date of Patent:** **\*\* Jan. 29, 2019**

(54) **KAYAK V-STORAGE**

(71) Applicant: **Plano Molding Company**, Plano, IL  
(US)

(72) Inventors: **Ryan R. Berger**, Columbus, OH (US);  
**James H. Lua**, Columbus, OH (US);  
**Ludwin M. Mora**, Columbus, OH  
(US); **Clark P. McCune**, Roanoke, TX  
(US); **John H. Whalen**, Sheridan, IL  
(US)

(73) Assignee: **Plano Molding Company**, Plano, IL  
(US)

(\*\*) Term: **15 Years**

(21) Appl. No.: **29/609,536**

(22) Filed: **Jun. 30, 2017**

(51) **LOC (11) Cl.** ..... **12-16**

(52) **U.S. Cl.**  
USPC ..... **D12/406**

(58) **Field of Classification Search**  
USPC ..... D12/400–406; D6/610–611  
CPC .... B60R 9/00; B60R 9/02; B60R 9/04; B60R  
9/08; B60R 9/042; B60R 9/0423; B60R  
9/0426; B60R 9/045; B60R 9/048; B60R  
9/0485; B60R 9/05; B60R 9/052; B60R  
9/055; B60R 9/058; B60R 9/06; B60R  
9/065; B60R 9/10; B60R 9/12

See application file for complete search history.

(56) **References Cited**

**U.S. PATENT DOCUMENTS**

D601,078 S \* 9/2009 Devereux ..... D12/406  
D626,492 S \* 11/2010 Dunkel ..... D12/406

D656,082 S \* 3/2012 Gruner ..... D12/413  
D717,719 S \* 11/2014 Sagen ..... D12/413  
D773,379 S \* 12/2016 Toyoshima ..... D12/413  
D774,442 S \* 12/2016 Adler ..... D12/413  
D816,011 S \* 4/2018 Garcia ..... D12/406

\* cited by examiner

*Primary Examiner* — Katrina A Betton

(74) *Attorney, Agent, or Firm* — Leason Ellis LLP

(57) **CLAIM**

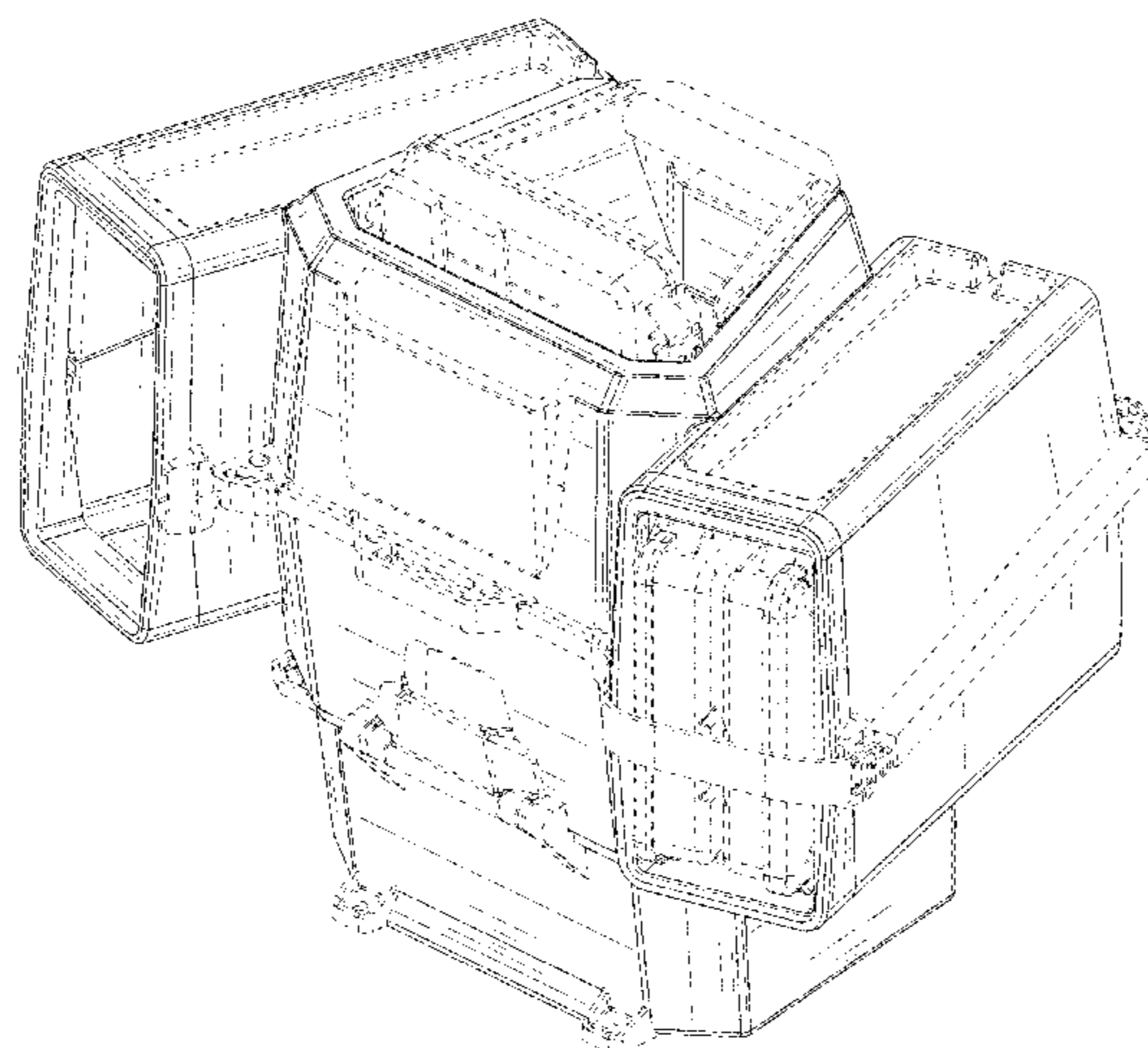
We claim the ornamental design for a kayak V-storage, as shown and described.

**DESCRIPTION**

FIG. 1 is a right-front perspective view of the kayak V-storage;  
FIG. 2 is a front view of the kayak V-storage shown in FIG. 1;  
FIG. 3 is a rear view of the kayak V-storage shown in FIG. 1;  
FIG. 4 is a left side view of the kayak V-storage shown in FIG. 1;  
FIG. 5 is a right side view of the kayak V-storage shown in FIG. 1;  
FIG. 6 is a top view of the kayak V-storage shown in FIG. 1; and,  
FIG. 7 is a bottom view of the kayak V-storage shown in FIG. 1.

The subject matter shown in dashed lines, and any surfaces of the design not shown, including interior surfaces, form no part of the claimed invention.

**1 Claim, 7 Drawing Sheets**



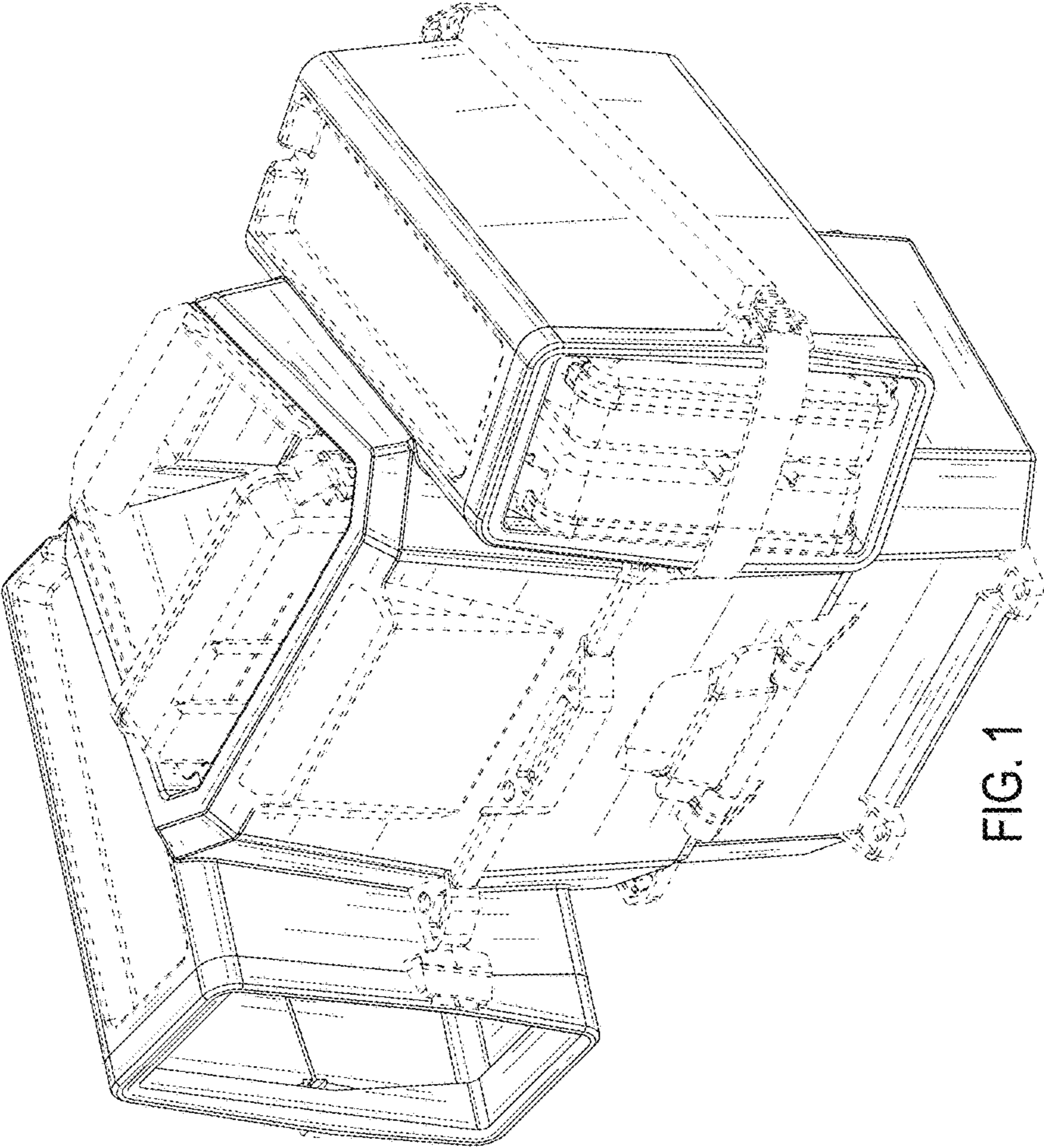


FIG. 1

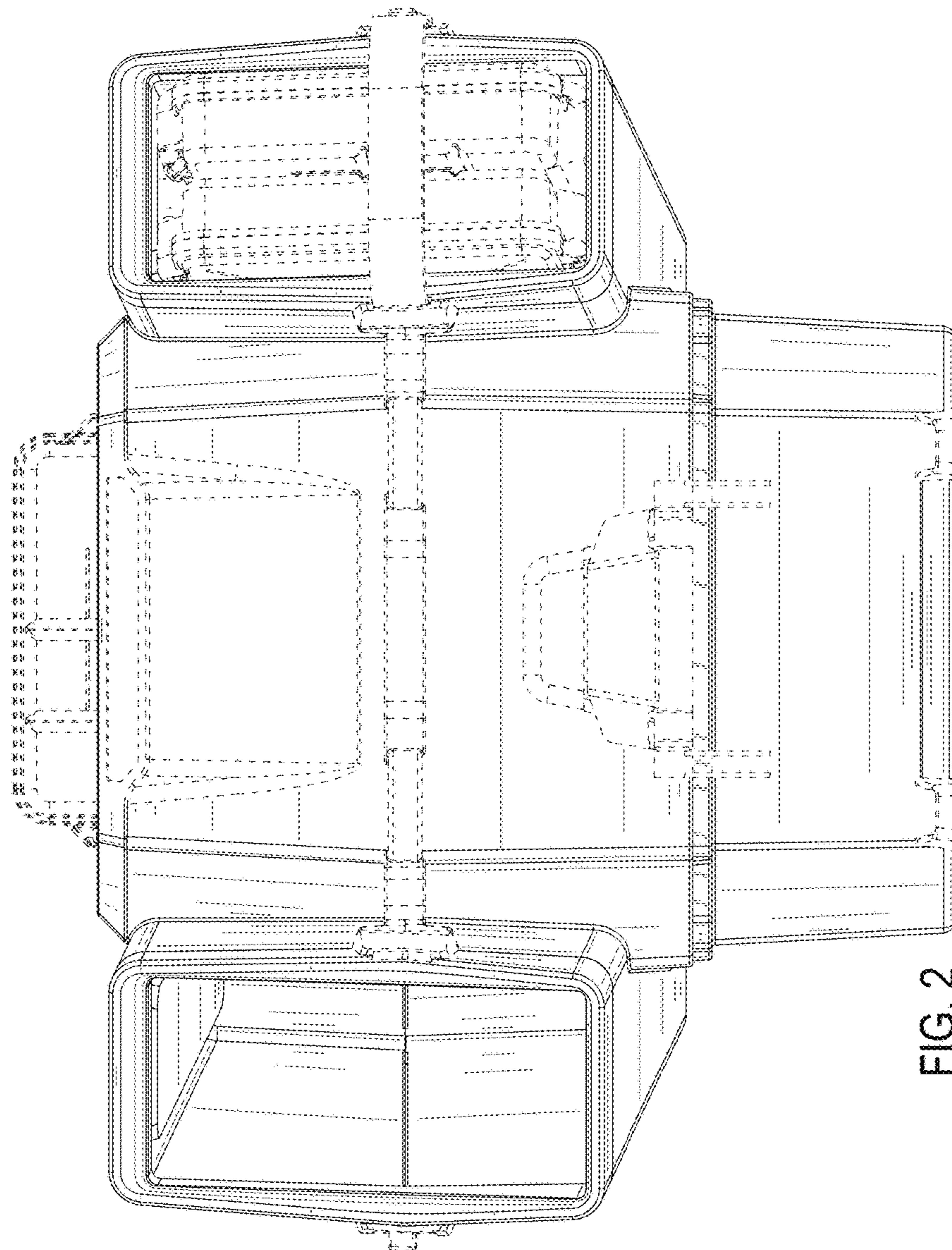


FIG. 2



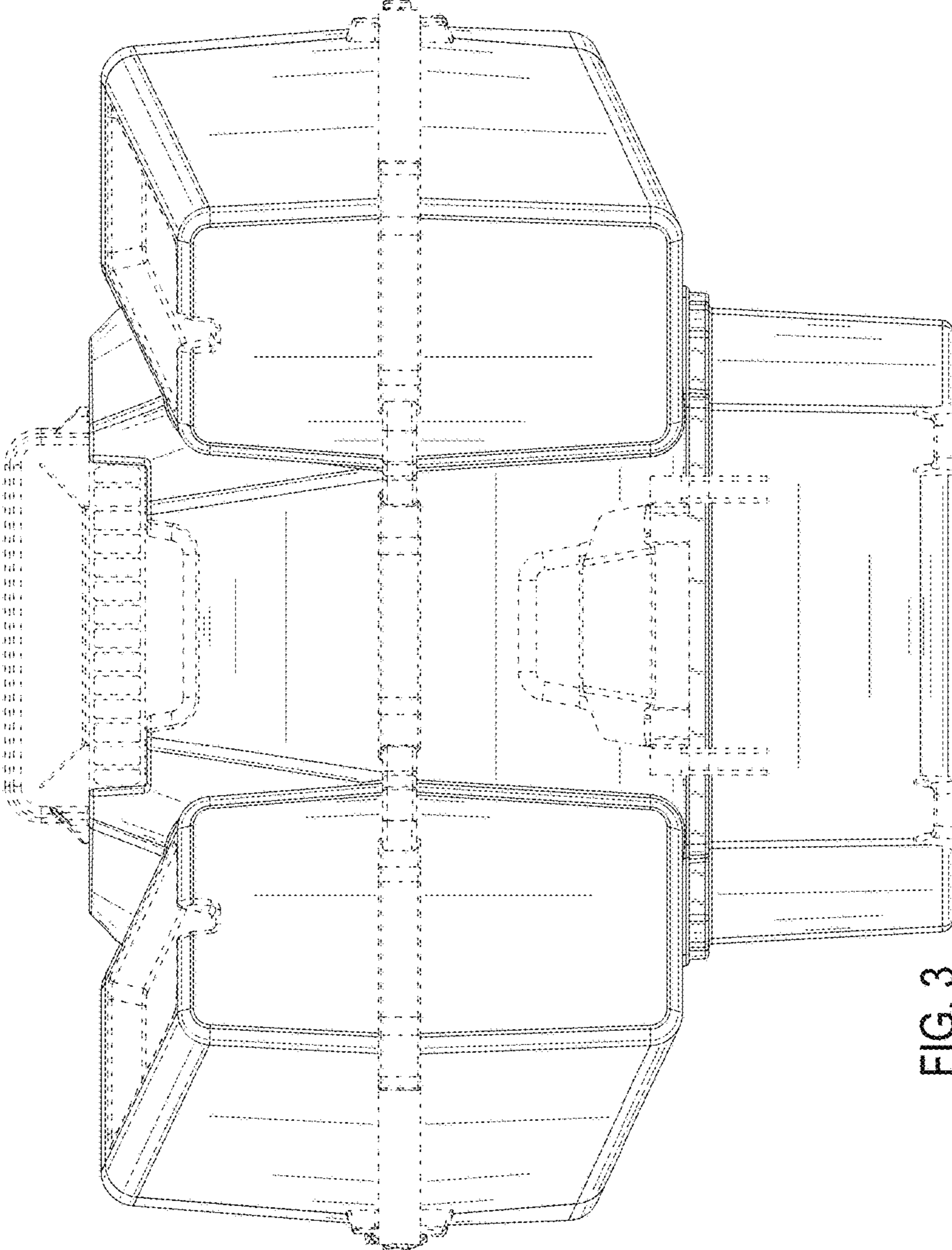


FIG. 3

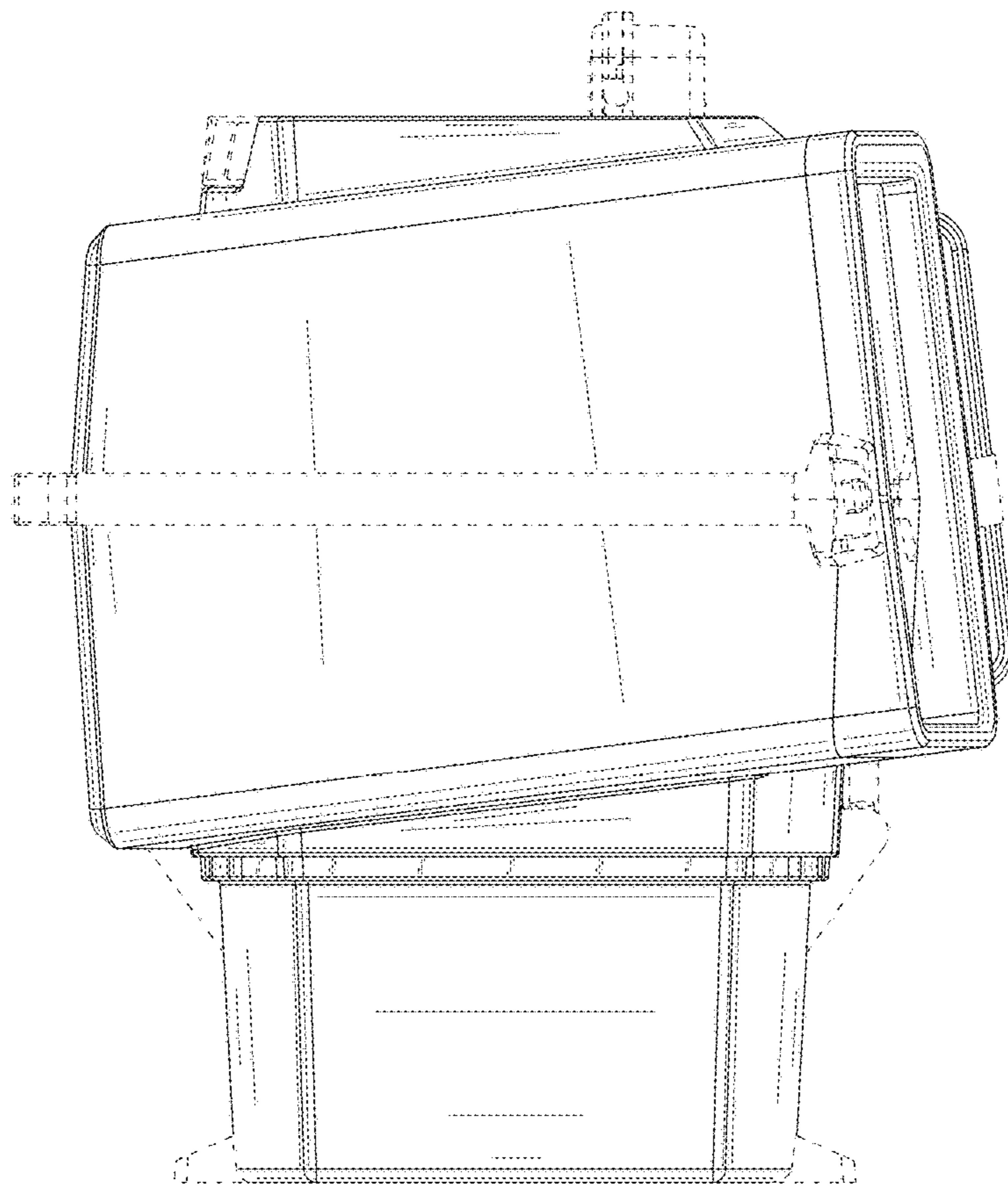


FIG. 4

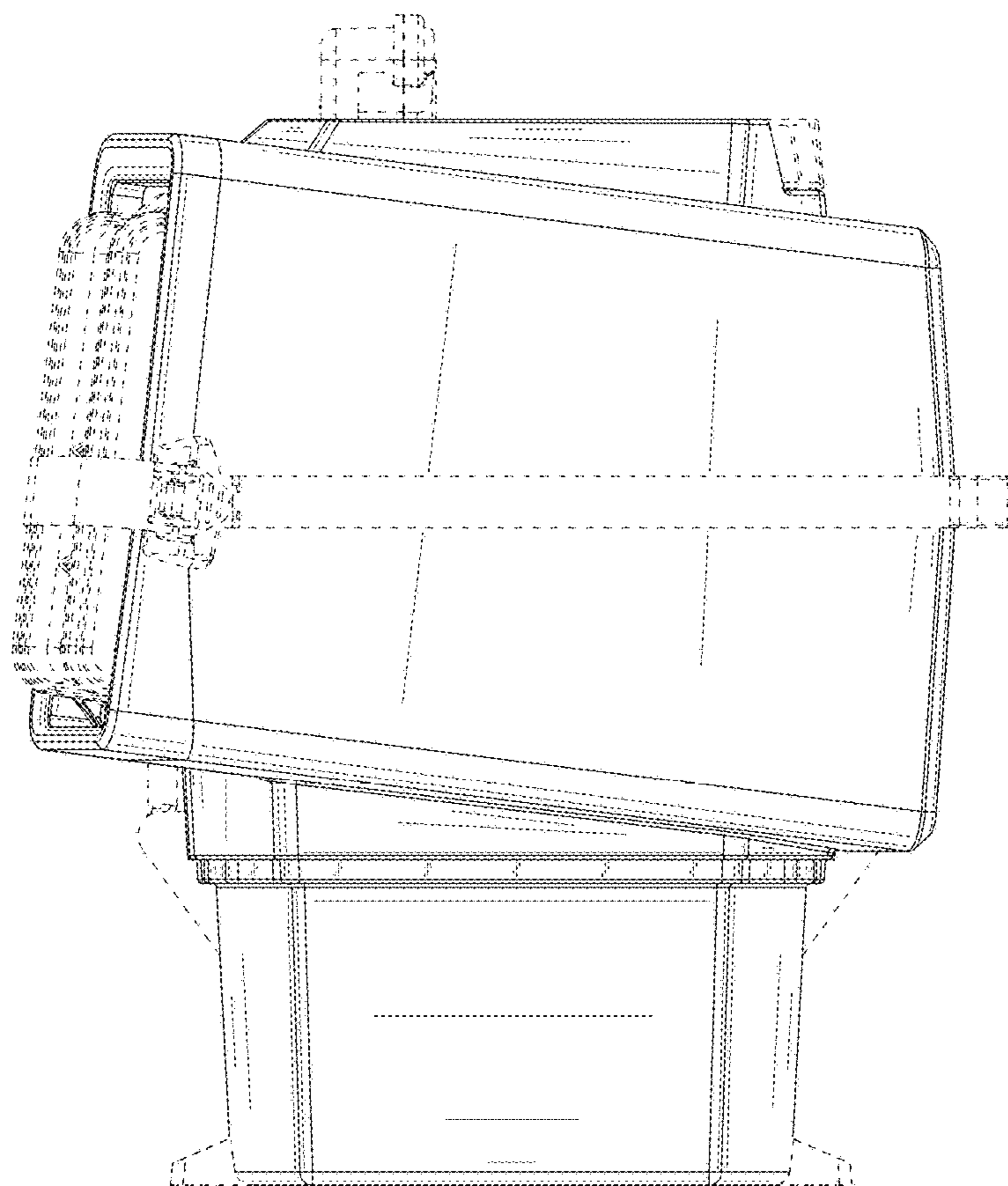


FIG. 5

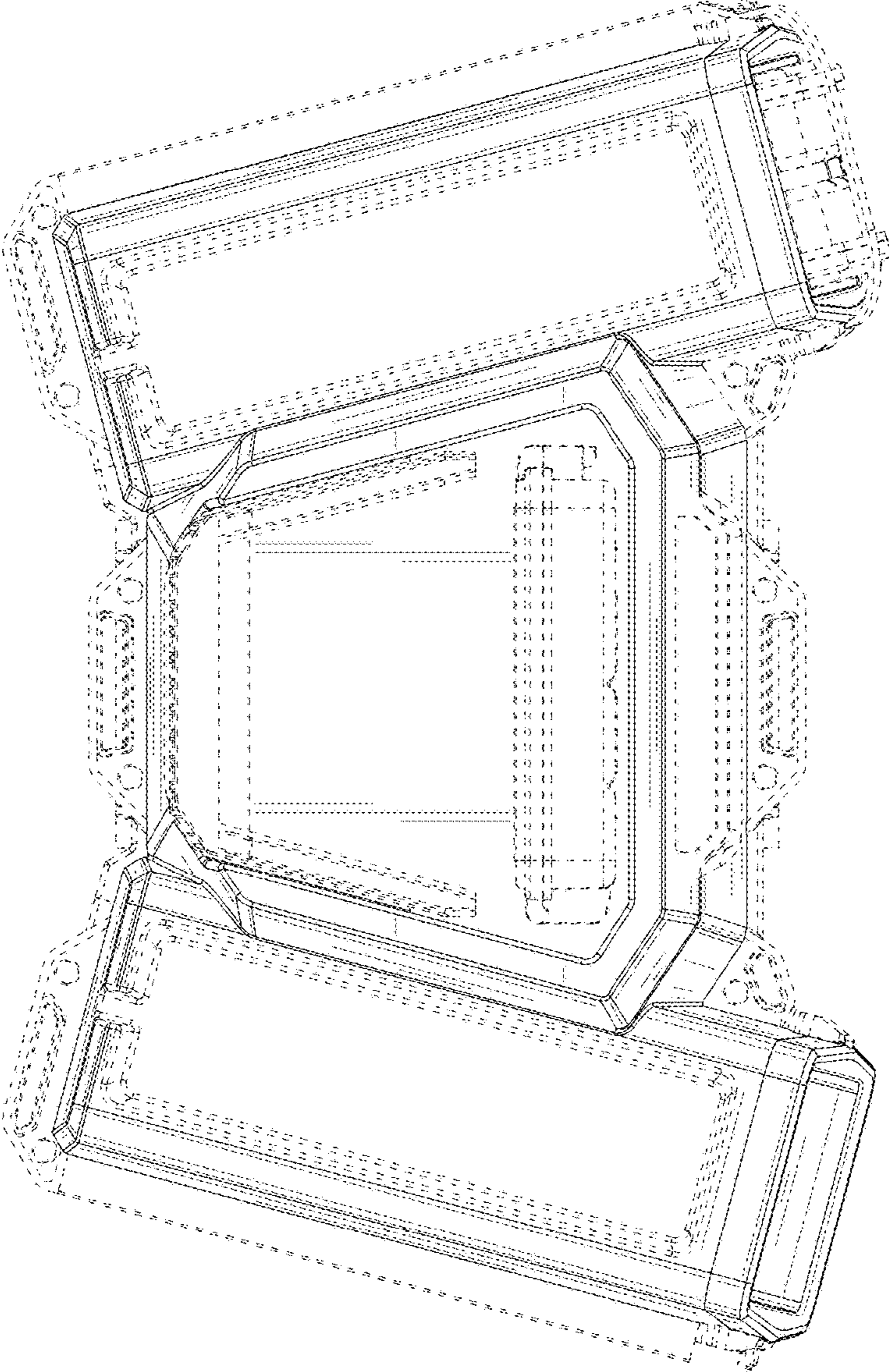


FIG. 6



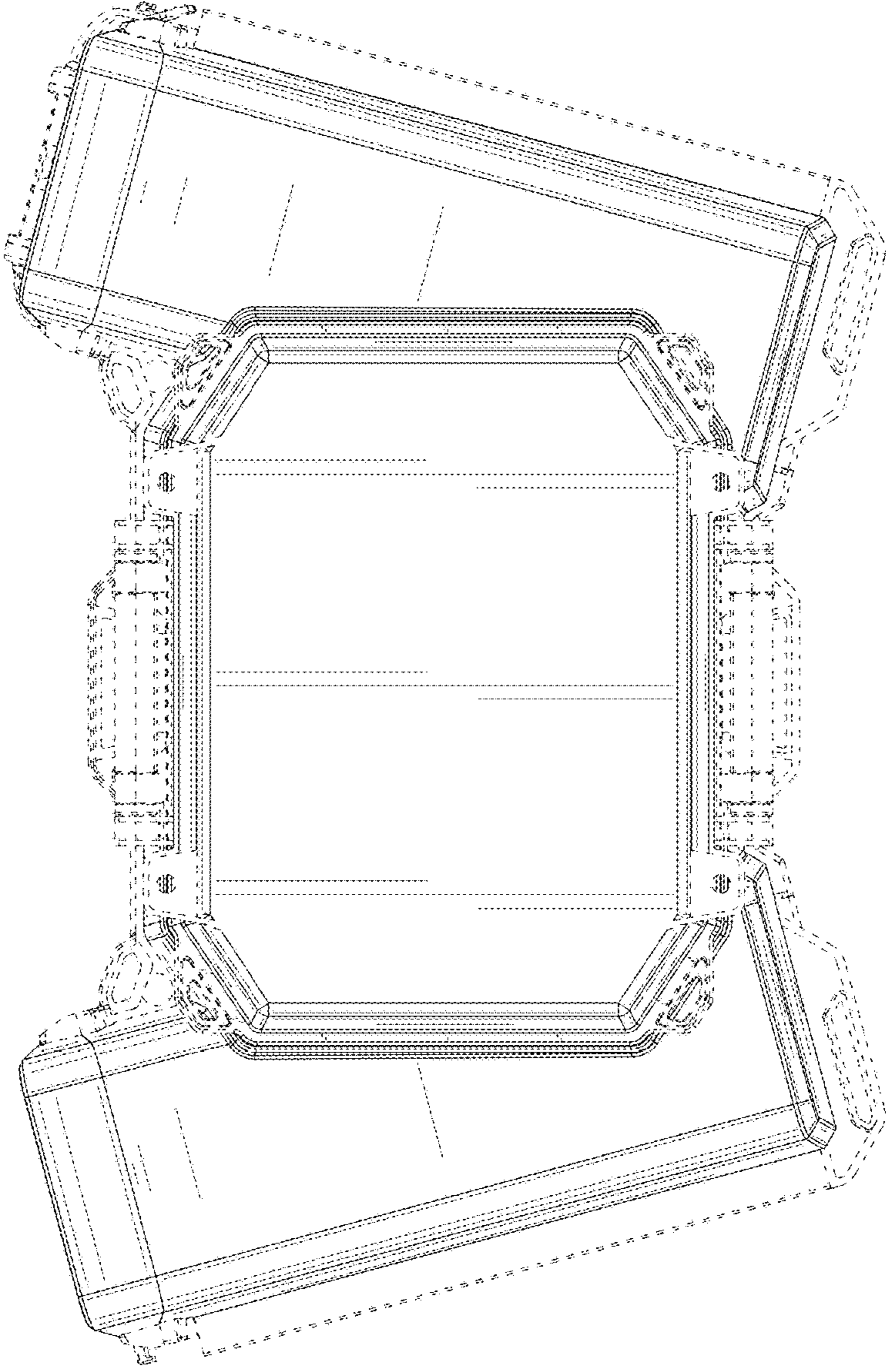


FIG. 7