

US00D839161S

(12) **United States Design Patent**
Ma et al.

(10) **Patent No.:** **US D839,161 S**

(45) **Date of Patent:** **** Jan. 29, 2019**

(54) **SEAT FOR A CAR**

(71) Applicant: **Beijing CHJ Automotive Technology Co., Ltd.**, Chaoyang District, Beijing (CN)

(72) Inventors: **Donghui Ma**, Beijing (CN); **Ruiwen Zhang**, Beijing (CN)

(73) Assignee: **BEIJING CHJ AUTOMOTIVE TECHNOLOGY CO., LTD.** (CN)

(**) Term: **15 Years**

(21) Appl. No.: **29/611,322**

(22) Filed: **Jul. 20, 2017**

(30) **Foreign Application Priority Data**

Jun. 20, 2017 (CN) 2017 3 0255330

(51) **LOC (11) Cl.** **12-08**

(52) **U.S. Cl.**
USPC **D12/195**

(58) **Field of Classification Search**
USPC D12/195, 193, 414, 190, 196; D10/17, D10/28, 46, 98, 102–103; D8/302–303
CPC B60J 5/00
See application file for complete search history.

(56) **References Cited**

U.S. PATENT DOCUMENTS

D693,754 S * 11/2013 Balko D12/195
D718,694 S * 12/2014 Karacabey D12/195

D719,983 S * 12/2014 Ewringmann D15/19
9,156,388 B2 * 10/2015 Nakanishi B60N 2/688
D755,531 S * 5/2016 Ahn D6/356
D764,991 S * 8/2016 Woodhouse D12/195
D788,000 S * 5/2017 LeFranc D12/195
D796,403 S * 9/2017 Ahn D12/195
D813,132 S * 3/2018 Armigliato D12/195

* cited by examiner

Primary Examiner — Katrina A Betton

(74) *Attorney, Agent, or Firm* — Onello & Mello, LLP

(57) **CLAIM**

The ornamental design for a seat for a car, as shown.

DESCRIPTION

FIG. 1 is a right perspective view of a seat for a car, in accordance with the present invention;
FIG. 2 is a front view of the seat for a car of FIG. 1;
FIG. 3 is a rear view of the seat for a car of FIG. 1;
FIG. 4 is a left side view of the seat for a car of FIG. 1;
FIG. 5 is a right side view of the seat for a car of FIG. 1;
FIG. 6 is a top view of the seat for a car of FIG. 1;
FIG. 7 is a bottom view of the seat for a car of FIG. 1; and,
FIG. 8 is a left perspective view of the seat for a car of FIG. 1.

1 Claim, 7 Drawing Sheets

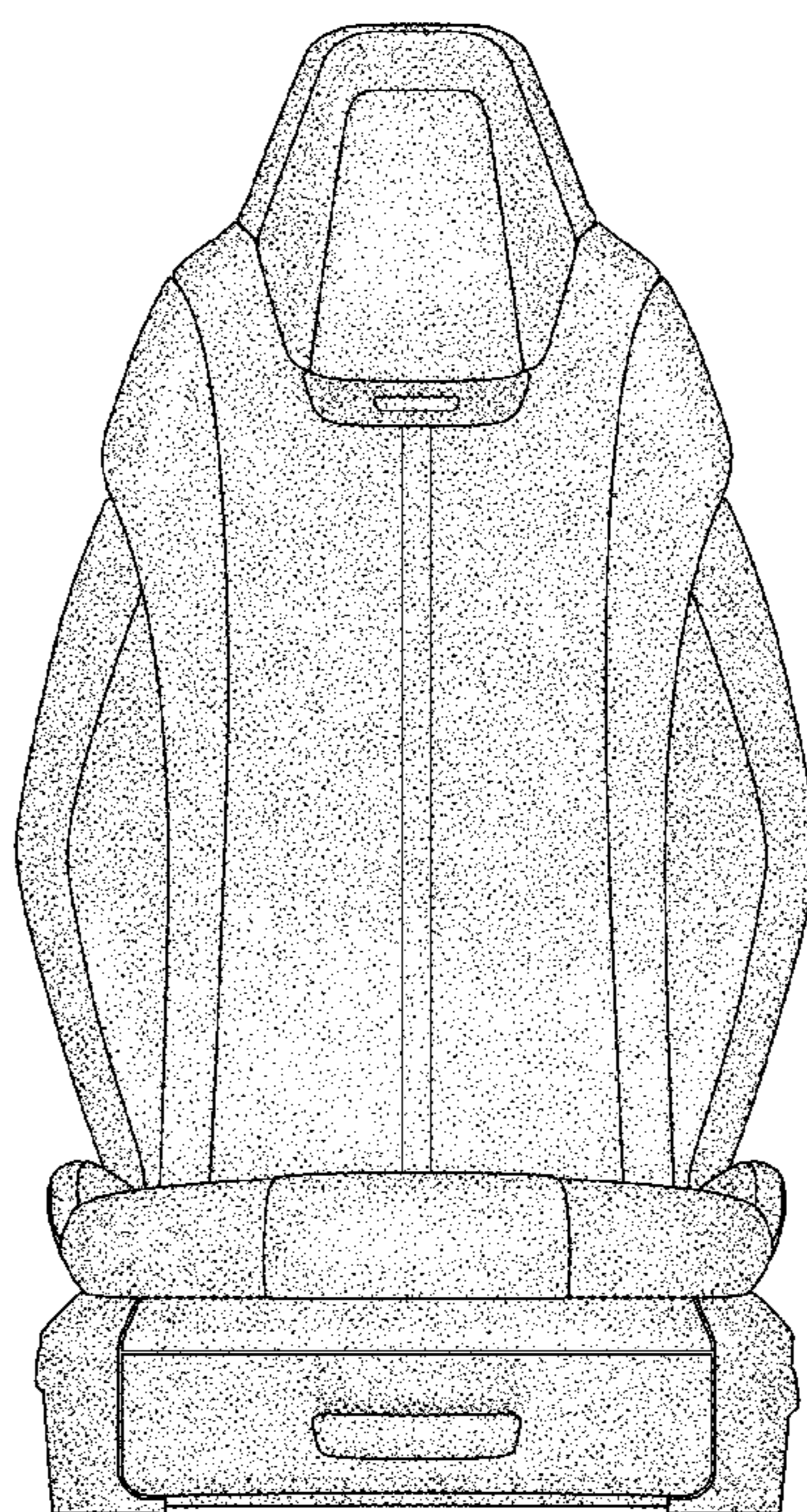


FIG. 1

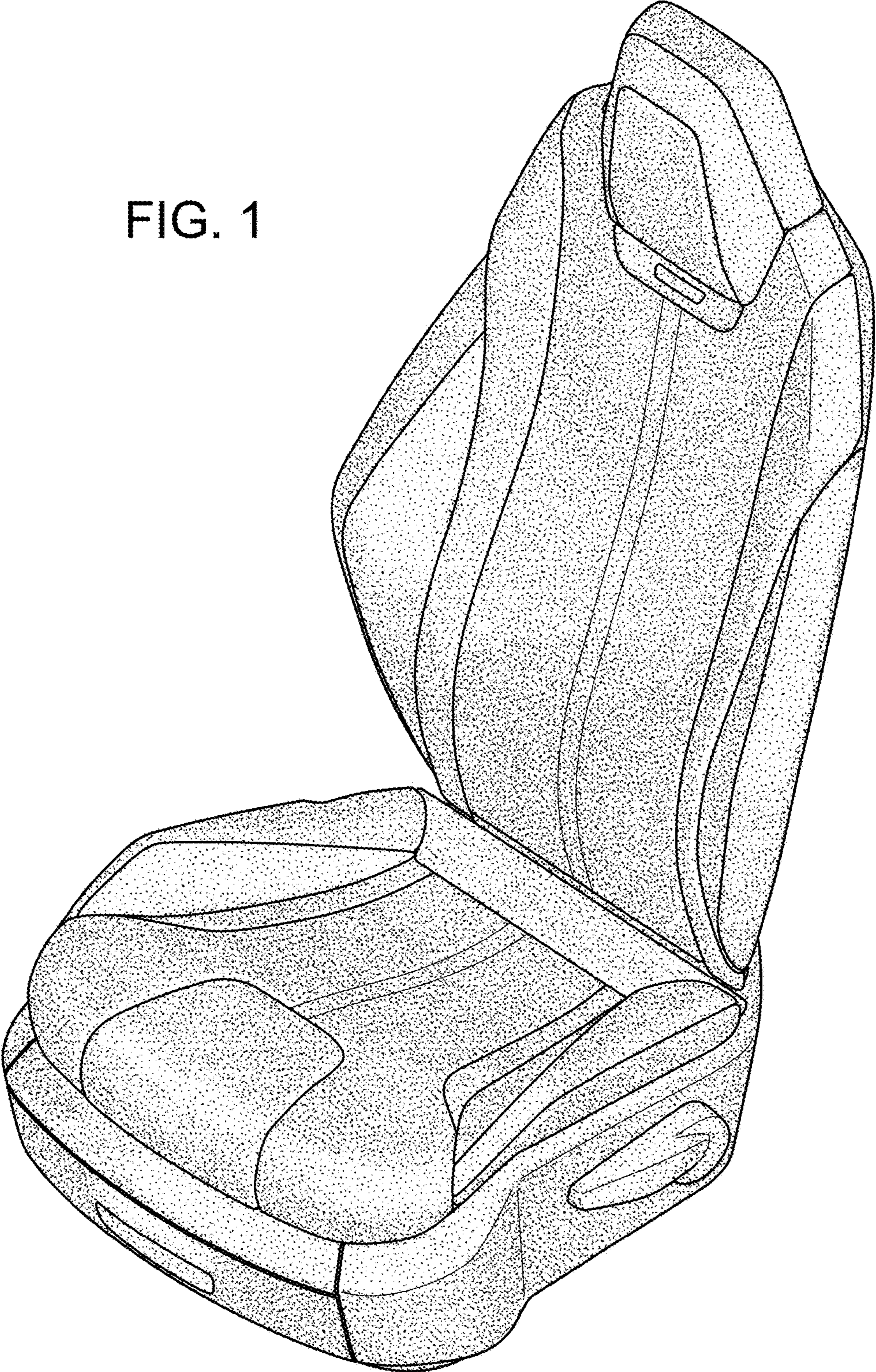


FIG. 2

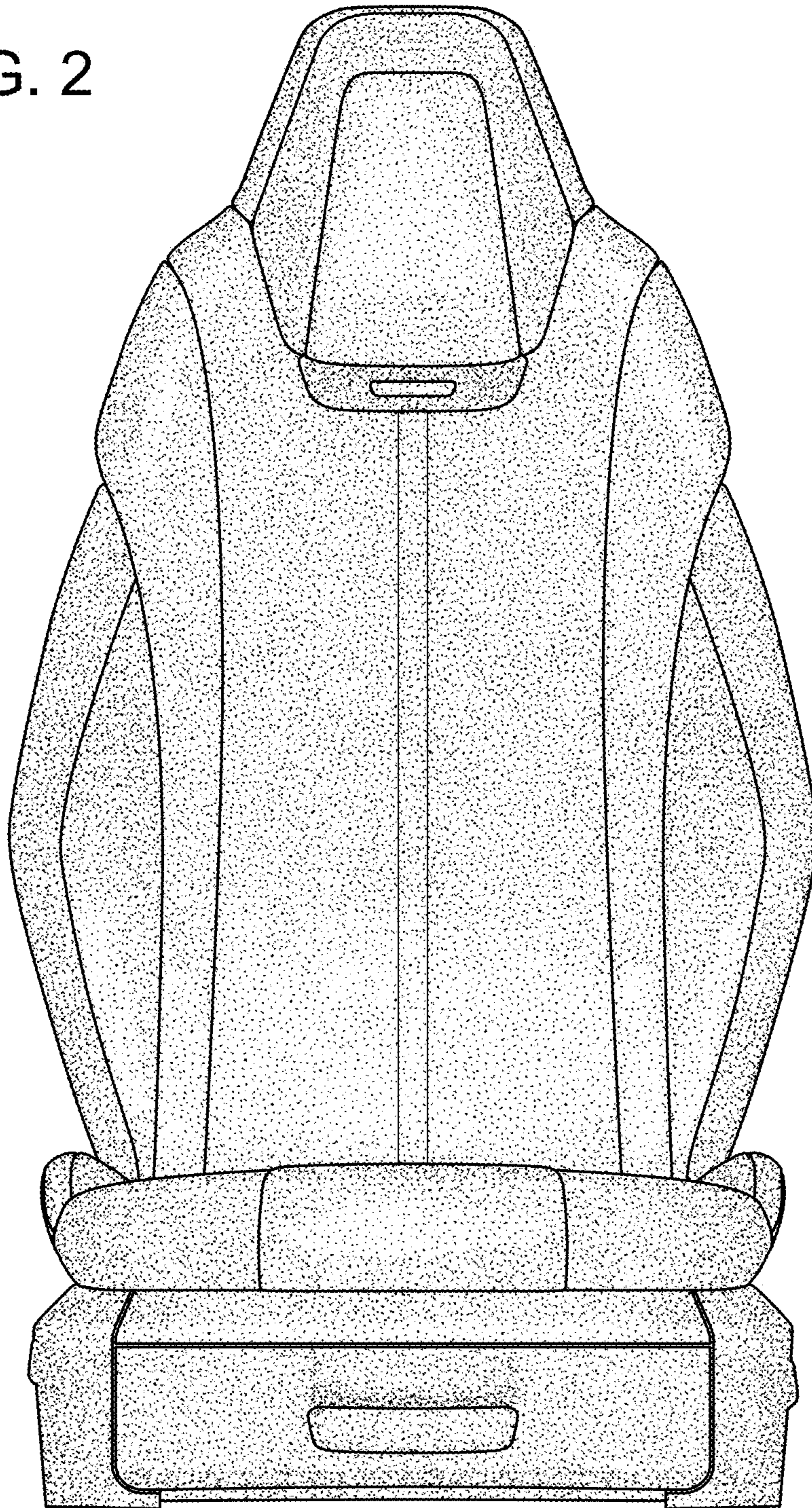
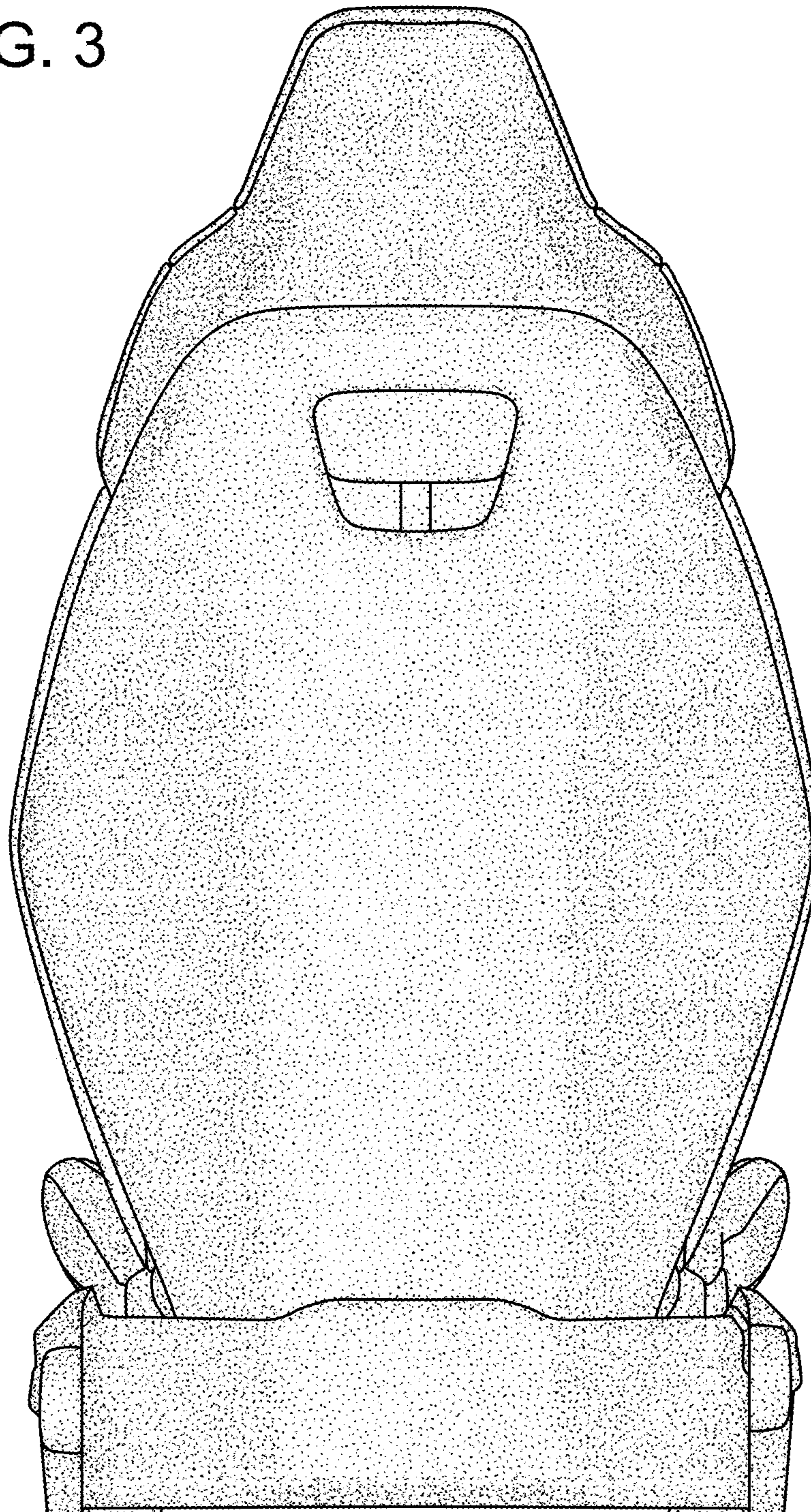


FIG. 3



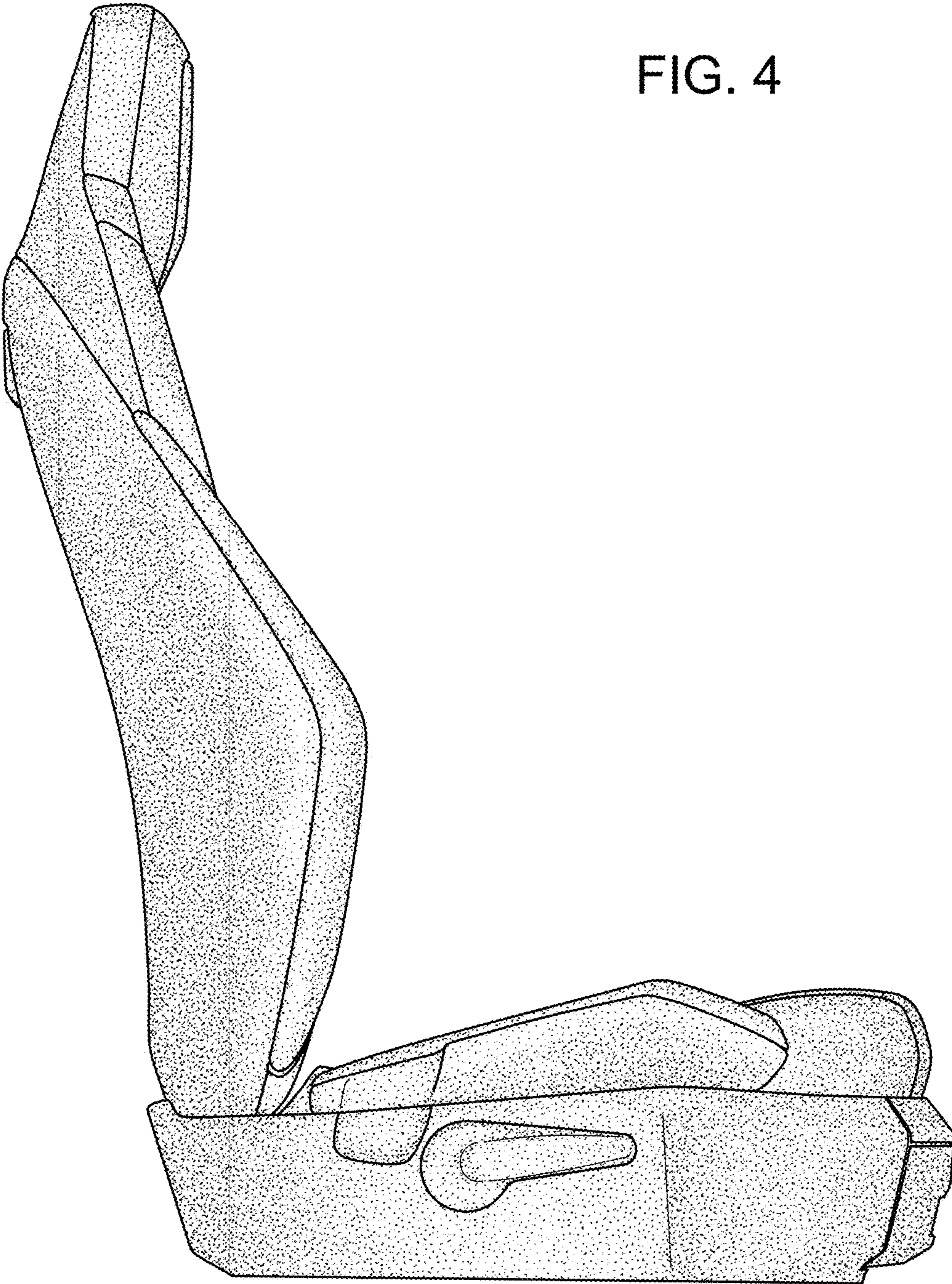


FIG. 4

FIG. 5

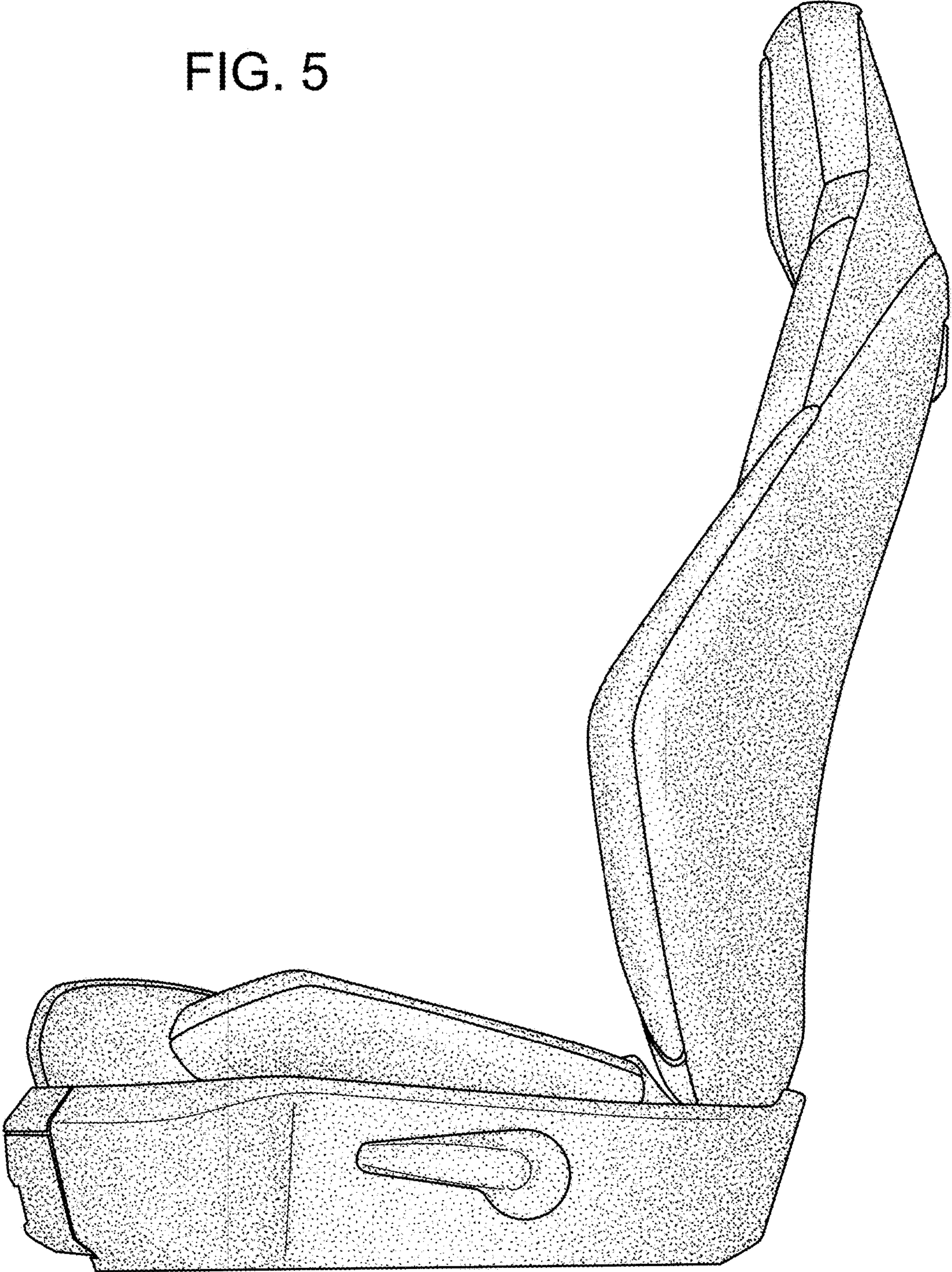


FIG. 7

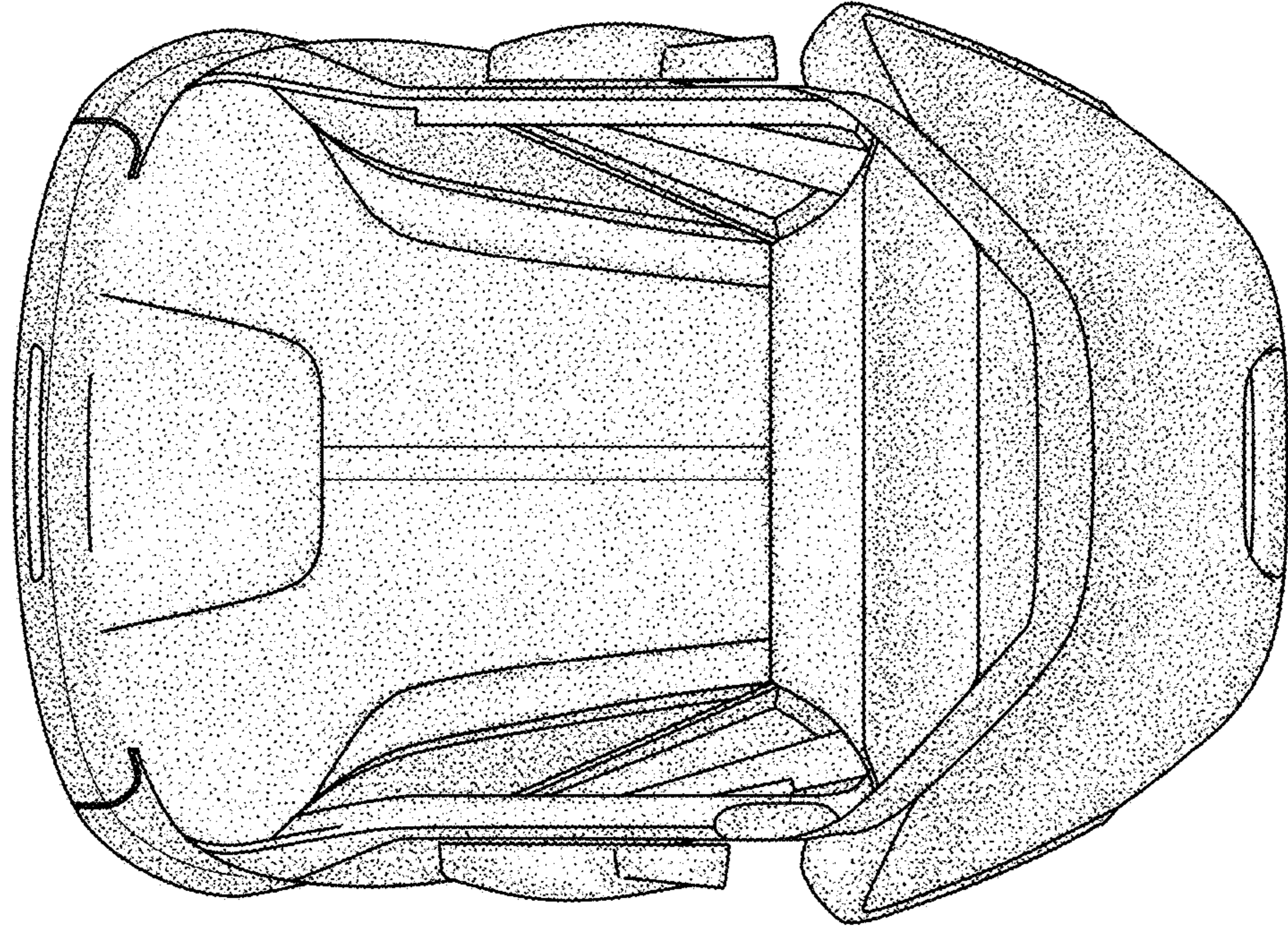
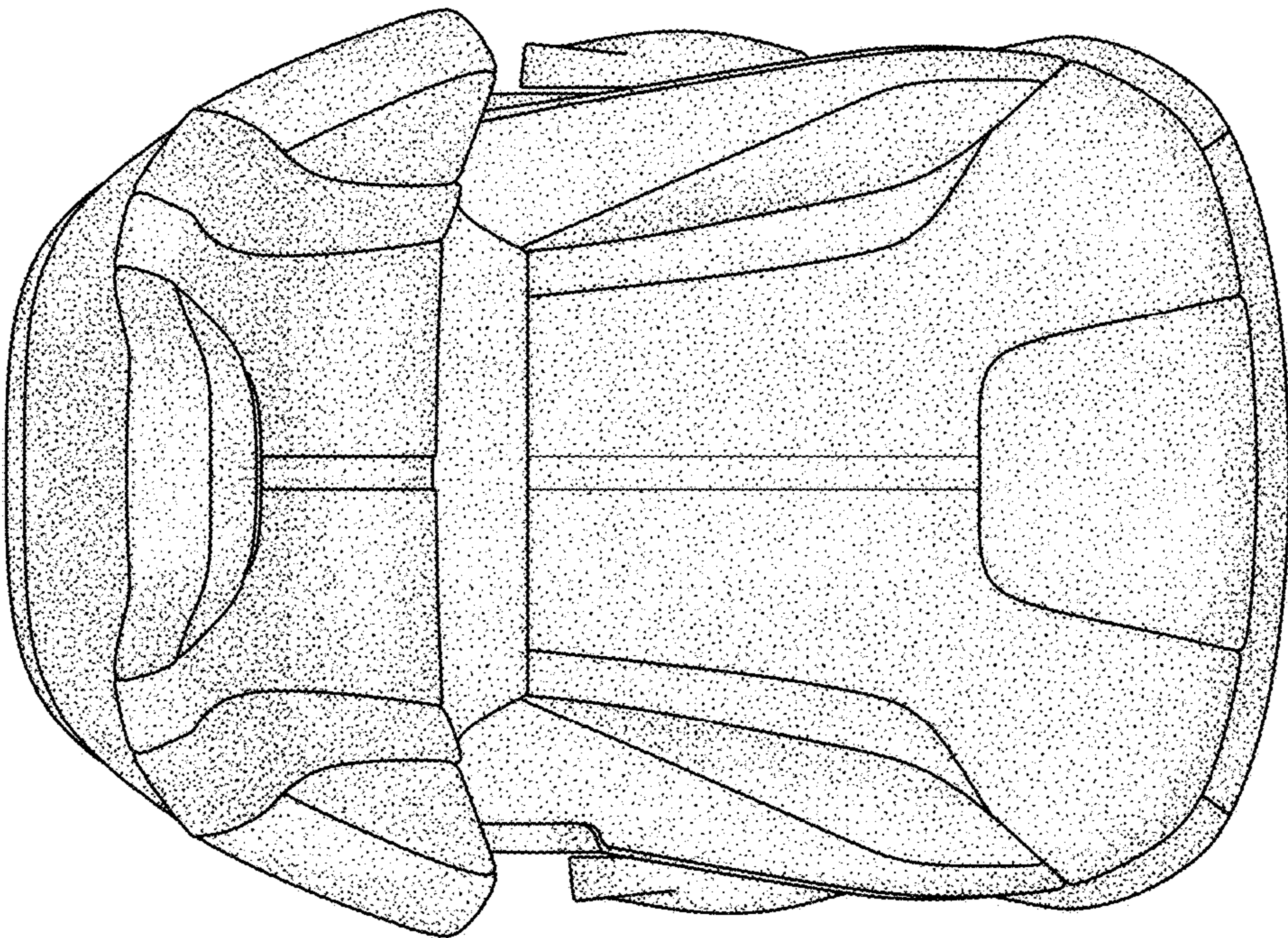


FIG. 6



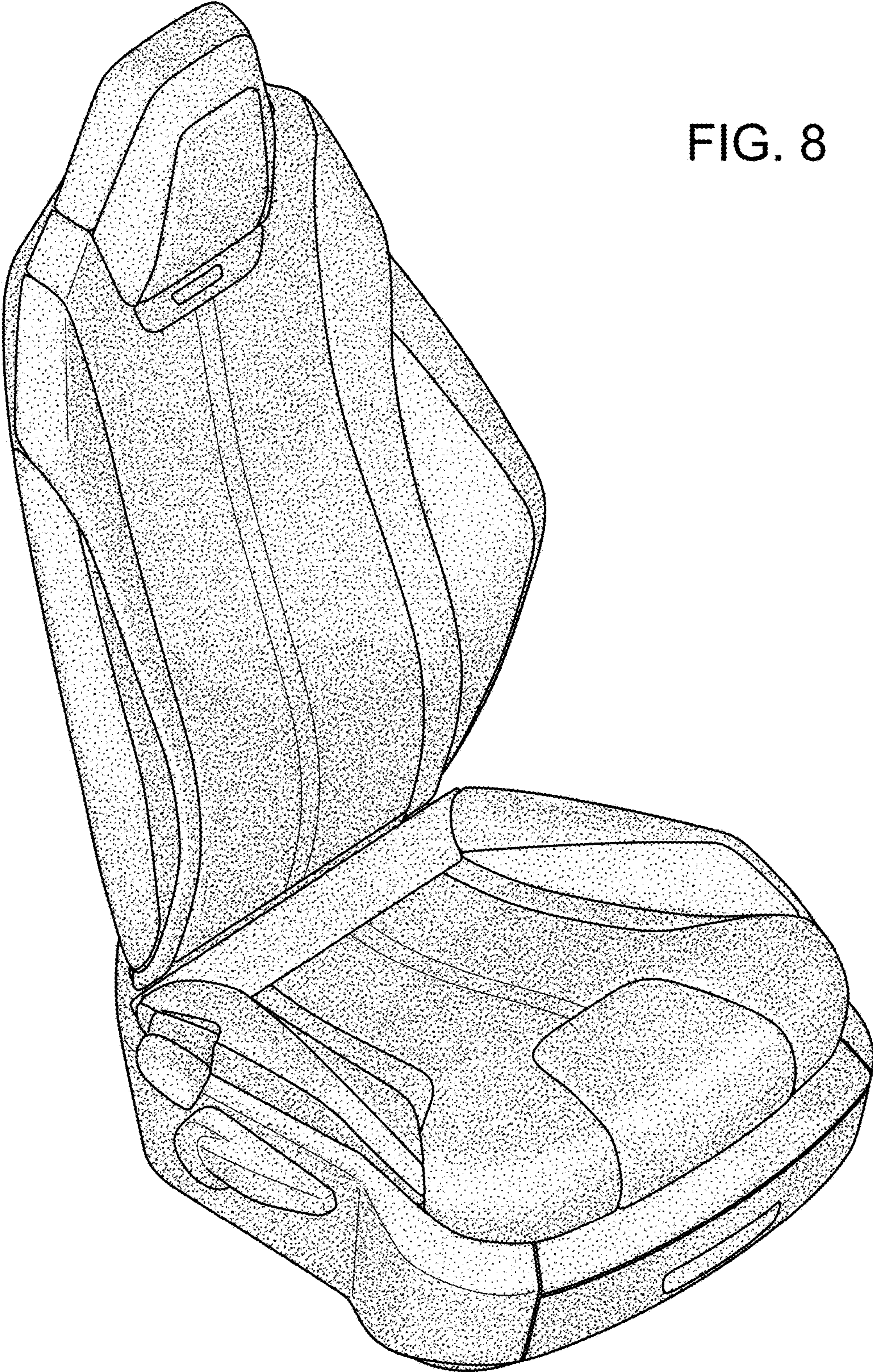


FIG. 8