

US00D839157S

(12) **United States Design Patent** (10) **Patent No.:** **US D839,157 S**  
**Smith et al.** (45) **Date of Patent:** **\*\* Jan. 29, 2019**

(54) **VEHICLE SIDE MIRROR**  
(71) Applicant: **GM Global Technology Operations LLC, Detroit, MI (US)**  
(72) Inventors: **Brian J. Smith, Farmington Hills, MI (US); Robin Krieg, Bloomfield Hills, MI (US)**  
(73) Assignee: **GM Global Technology Operations LLC, Detroit, MI (US)**  
(\*\*) Term: **15 Years**  
(21) Appl. No.: **29/541,221**  
(22) Filed: **Oct. 1, 2015**  
(51) **LOC (11) Cl.** ..... **12-16**  
(52) **U.S. Cl.**  
USPC ..... **D12/187**  
(58) **Field of Classification Search**  
USPC ..... D12/187, 188, 189  
CPC ..... B60R 1/074; B60R 1/078; B60R 1/076;  
B60R 1/08; B60R 1/081; B60R 1/082  
See application file for complete search history.

(56) **References Cited**

**U.S. PATENT DOCUMENTS**

D331,634 S \* 12/1992 Browne ..... D26/119  
D508,003 S \* 8/2005 Kushima ..... D12/187  
D570,742 S 6/2008 Takagi et al.  
D586,713 S \* 2/2009 Habib ..... D12/187  
D592,105 S 5/2009 Dean et al.  
D597,447 S 8/2009 Folden  
D600,595 S 9/2009 Nakamura et al.  
D601,925 S 10/2009 O'Donnell  
D603,755 S 11/2009 Peters  
D604,203 S 11/2009 O'Donnell  
D605,082 S 12/2009 Munson  
D605,083 S 12/2009 Manoogian, II et al.  
D605,977 S 12/2009 Zipfel et al.

D605,978 S 12/2009 Wolff et al.  
D605,996 S \* 12/2009 Krugger ..... D12/187  
D608,249 S 1/2010 Peters  
D608,690 S 1/2010 Folden et al.  
D608,691 S 1/2010 Zak, Jr. et al.  
D609,608 S 2/2010 Boniface et al.  
D611,387 S 3/2010 Thompson et al.  
D611,879 S 3/2010 Kim et al.  
D612,297 S 3/2010 Peters et al.  
D612,311 S \* 3/2010 Weil ..... D12/187  
D613,645 S 4/2010 Song et al.  
D615,458 S 5/2010 Thompson et al.  
D618,595 S 6/2010 Ware et al.  
D620,408 S \* 7/2010 Elliott ..... D12/187  
D623,090 S 9/2010 Cox et al.  
D627,262 S 11/2010 Ikeda et al.  
D635,488 S 4/2011 Phipps  
D644,147 S 8/2011 Suh et al.  
D644,567 S 9/2011 Kozub  
D654,414 S \* 2/2012 Elmitt ..... D12/187  
D657,718 S 4/2012 Zipfel et al.  
D659,052 S 5/2012 Ware et al.  
D659,053 S 5/2012 Ware et al.  
D668,182 S 10/2012 Barba Franco

(Continued)

*Primary Examiner* — Philip S Hyder  
(74) *Attorney, Agent, or Firm* — Reising Ethington, P.C.

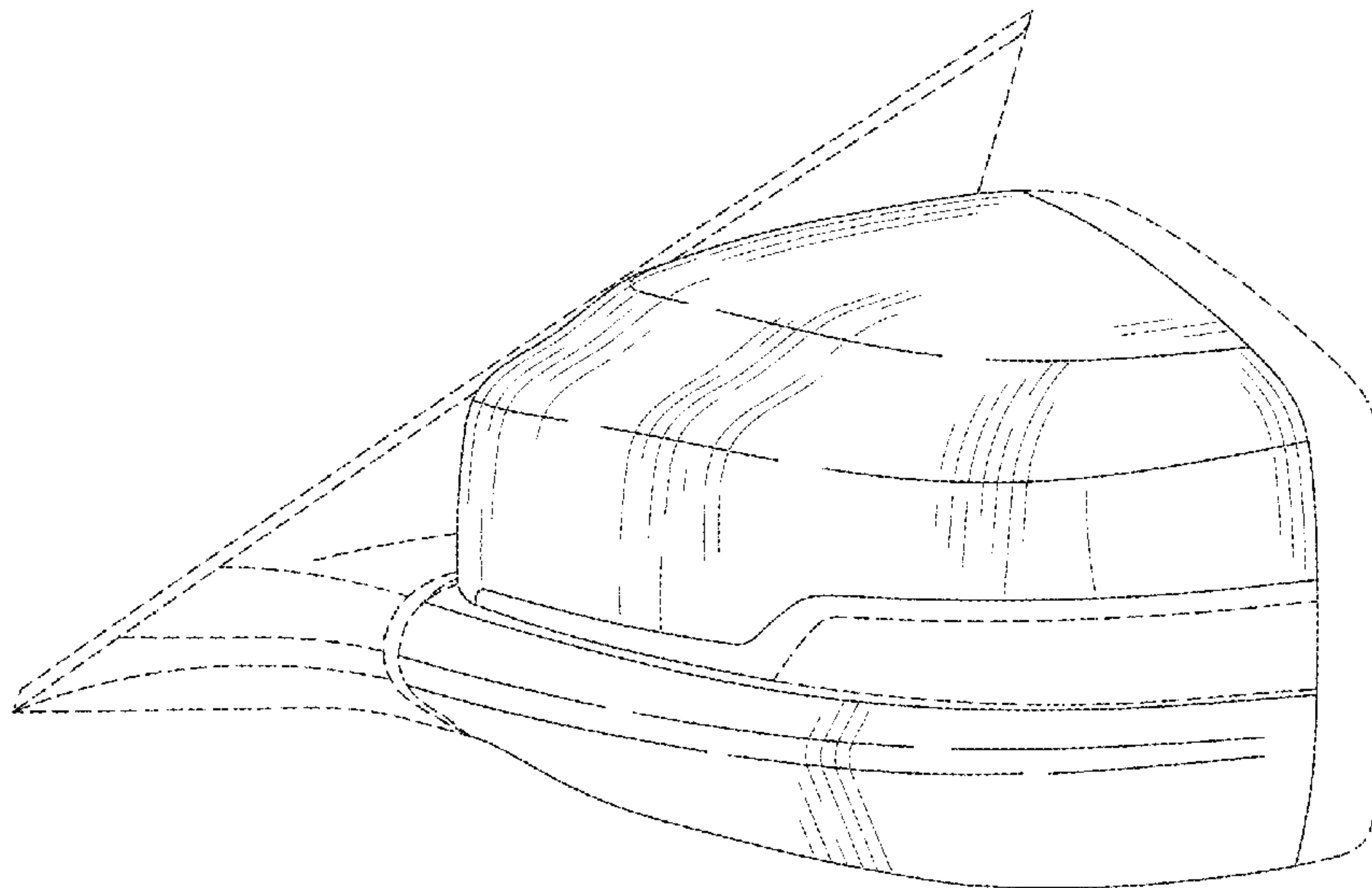
(57) **CLAIM**

The ornamental design for a vehicle side mirror, as shown and described.

**DESCRIPTION**

FIG. 1 is a perspective view of the vehicle side mirror; FIG. 2 is a rear view thereof; FIG. 3 is a top view thereof; and, FIG. 4 is a front perspective view thereof. The broken lines shown in the drawings depict portions of the vehicle side mirror that form no part of the claimed design.

**1 Claim, 2 Drawing Sheets**



(56)

**References Cited**

U.S. PATENT DOCUMENTS

D668,183 S 10/2012 Smart  
 D678,820 S 3/2013 Son et al.  
 D678,821 S 3/2013 Ikeda et al.  
 D680,909 S 4/2013 Munson et al.  
 D680,910 S 4/2013 David  
 D684,899 S 6/2013 Baker  
 D686,536 S 7/2013 McCabe et al.  
 D692,798 S 11/2013 Thurber  
 D692,799 S 11/2013 Smith et al.  
 D696,157 S 12/2013 Loeb  
 D699,629 S 2/2014 Ikeda et al.  
 D700,871 S 3/2014 O'Donnell et al.  
 D703,103 S 4/2014 Lee  
 D704,103 S 5/2014 Mack et al.  
 D705,132 S 5/2014 Ware et al.  
 D705,699 S 5/2014 Ware et al.  
 D709,416 S \* 7/2014 Mays ..... D12/187  
 D713,298 S 9/2014 Dyson  
 D713,764 S 9/2014 Ferlazzo et al.  
 D716,696 S 11/2014 Thole et al.  
 D716,706 S 11/2014 Thole et al.  
 D716,709 S 11/2014 Thole et al.  
 D717,696 S 11/2014 Thole et al.  
 D718,189 S 11/2014 Krieg et al.

D718,197 S \* 11/2014 Chen ..... D12/187  
 D718,683 S 12/2014 Thole et al.  
 D720,669 S \* 1/2015 Hammoud ..... D12/187  
 D722,282 S 2/2015 Loeb  
 D722,533 S 2/2015 Thole et al.  
 D722,534 S 2/2015 Munson et al.  
 D724,510 S 3/2015 McMahan et al.  
 D725,001 S 3/2015 McMahan et al.  
 D725,014 S \* 3/2015 Duff ..... D12/187  
 D726,591 S 4/2015 Jacob  
 D727,230 S \* 4/2015 Kao ..... D12/187  
 D730,776 S 6/2015 Smart  
 D730,783 S 6/2015 Henriques et al.  
 D732,427 S 6/2015 Loeb  
 D732,429 S 6/2015 Loeb  
 D732,430 S 6/2015 Loeb  
 D732,431 S 6/2015 Loeb  
 D732,432 S 6/2015 Aengenheyster  
 D732,433 S 6/2015 Aengenheyster  
 D732,435 S 6/2015 Mackay  
 D733,002 S 6/2015 Loeb  
 D735,611 S 8/2015 Aengenheyster  
 D735,627 S 8/2015 Smith  
 D736,451 S 8/2015 Smith  
 D739,306 S 9/2015 McMahan et al.  
 D739,317 S 9/2015 McMahan et al.

\* cited by examiner

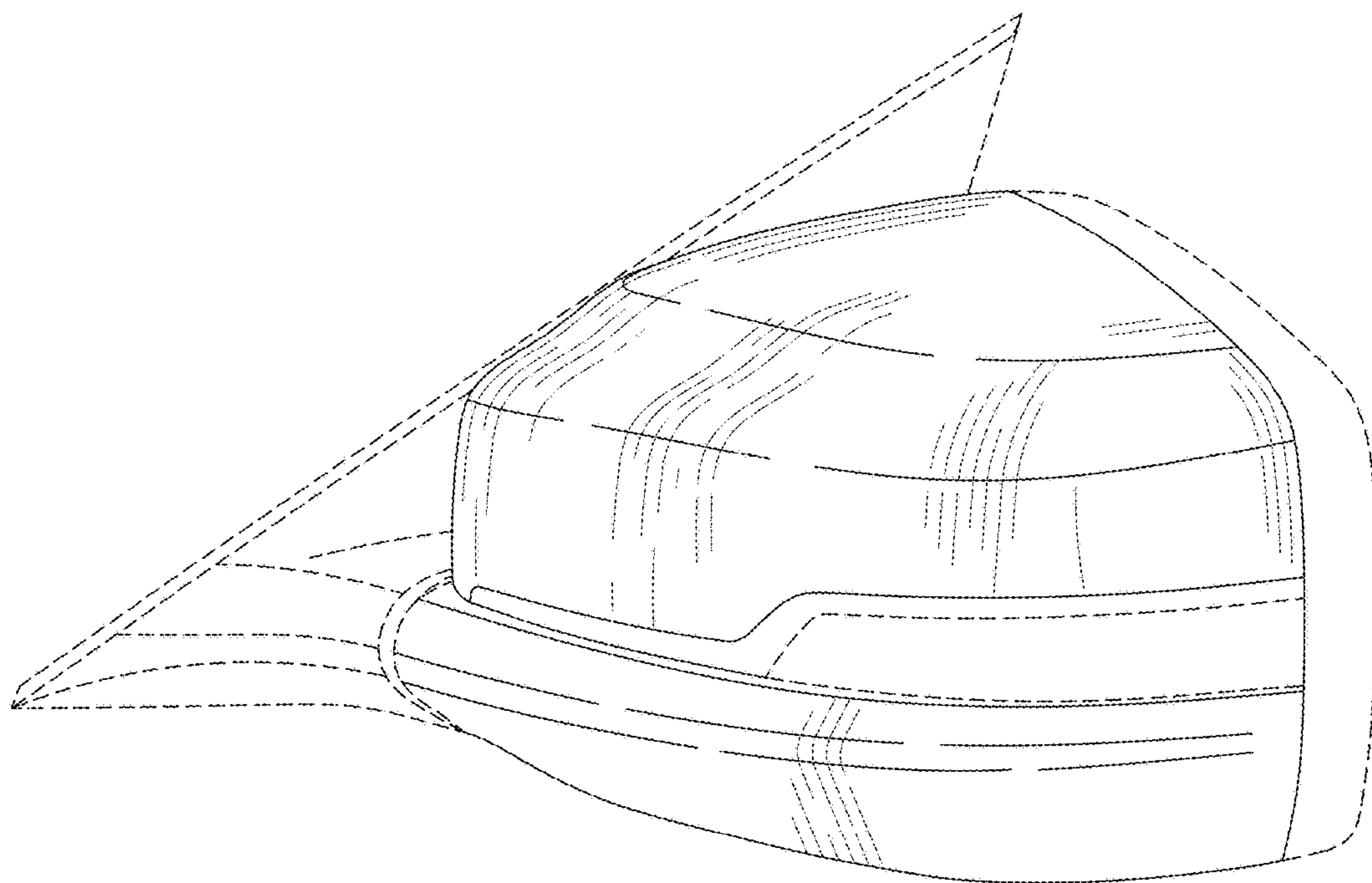


Fig. 1

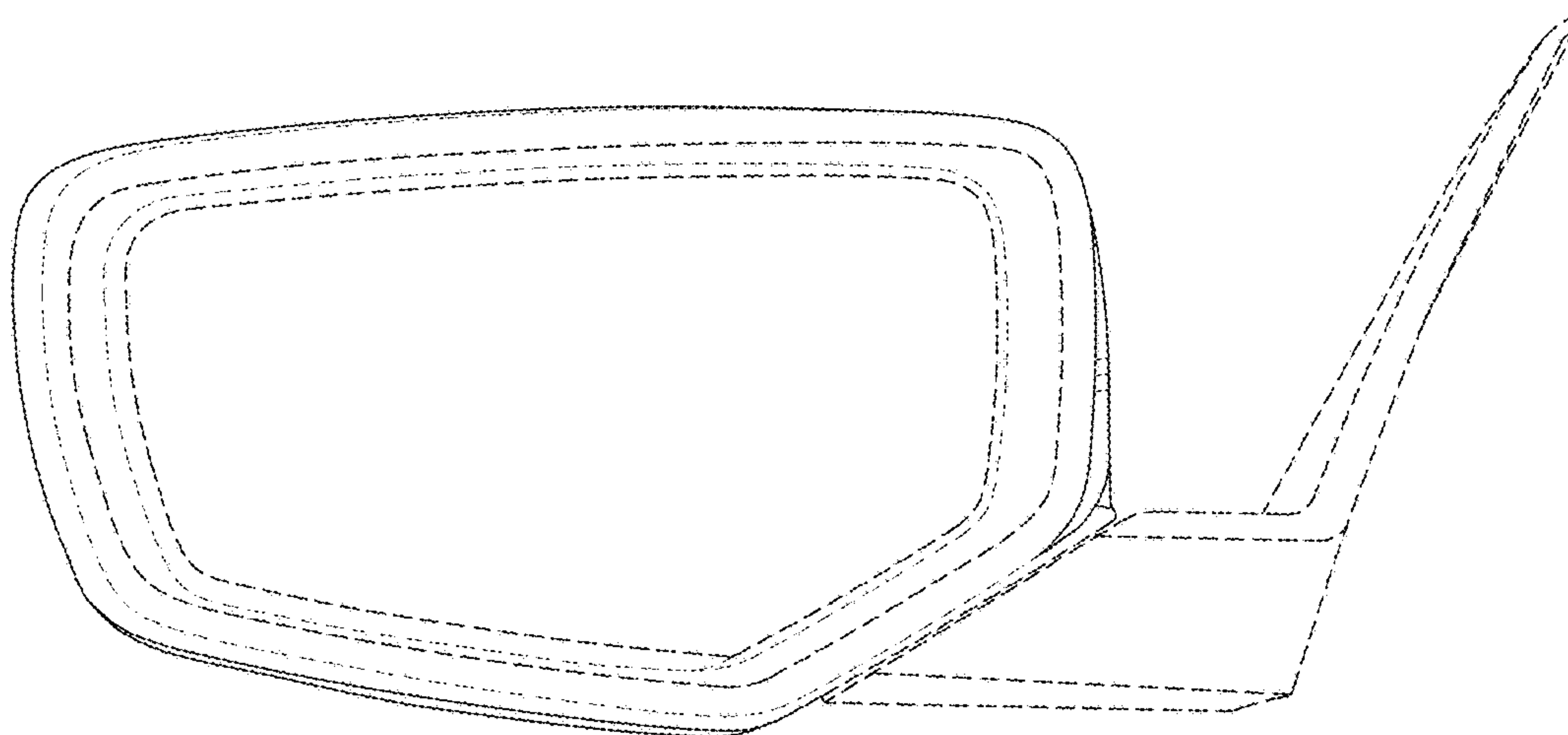


Fig. 2

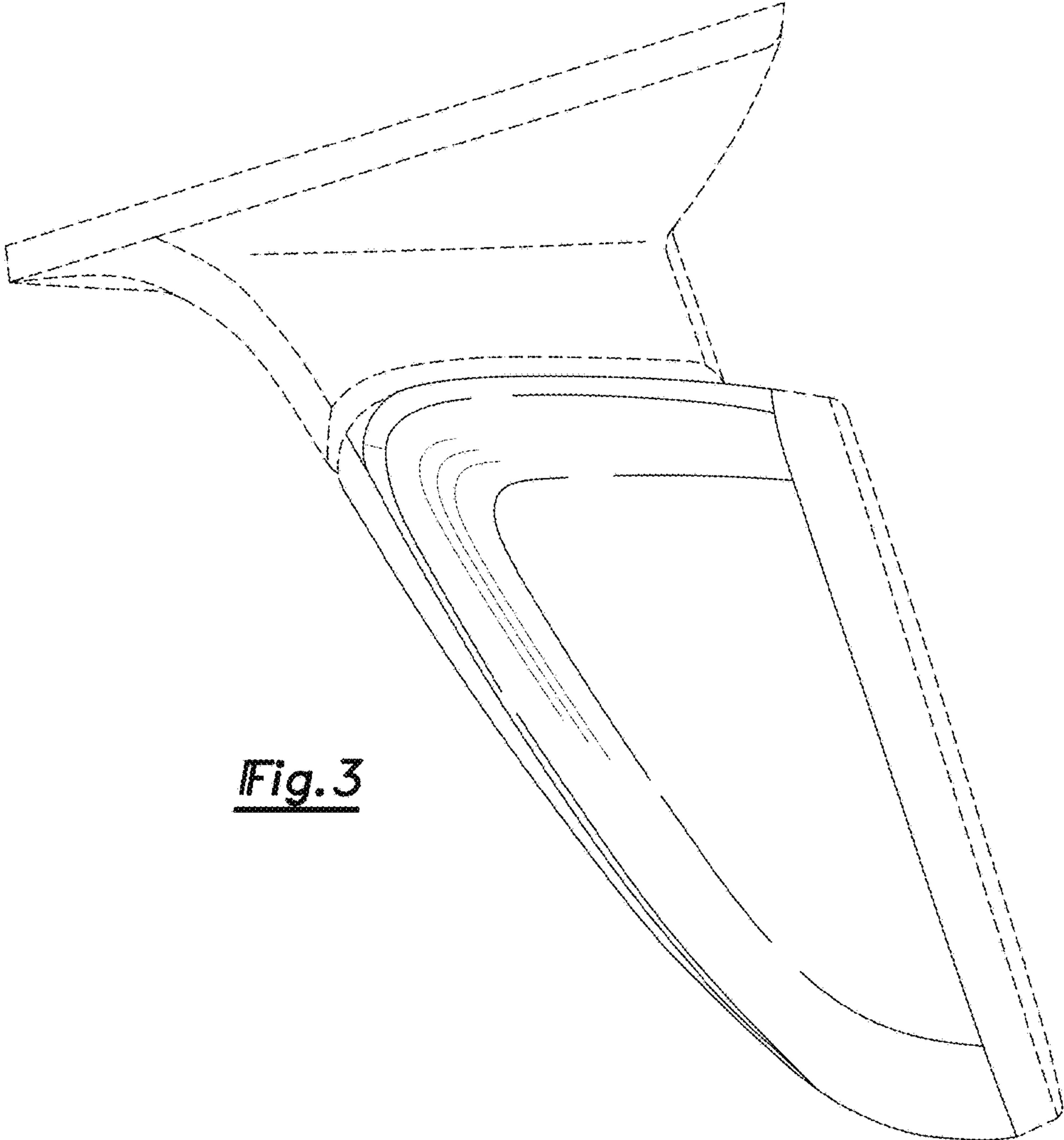


Fig. 3

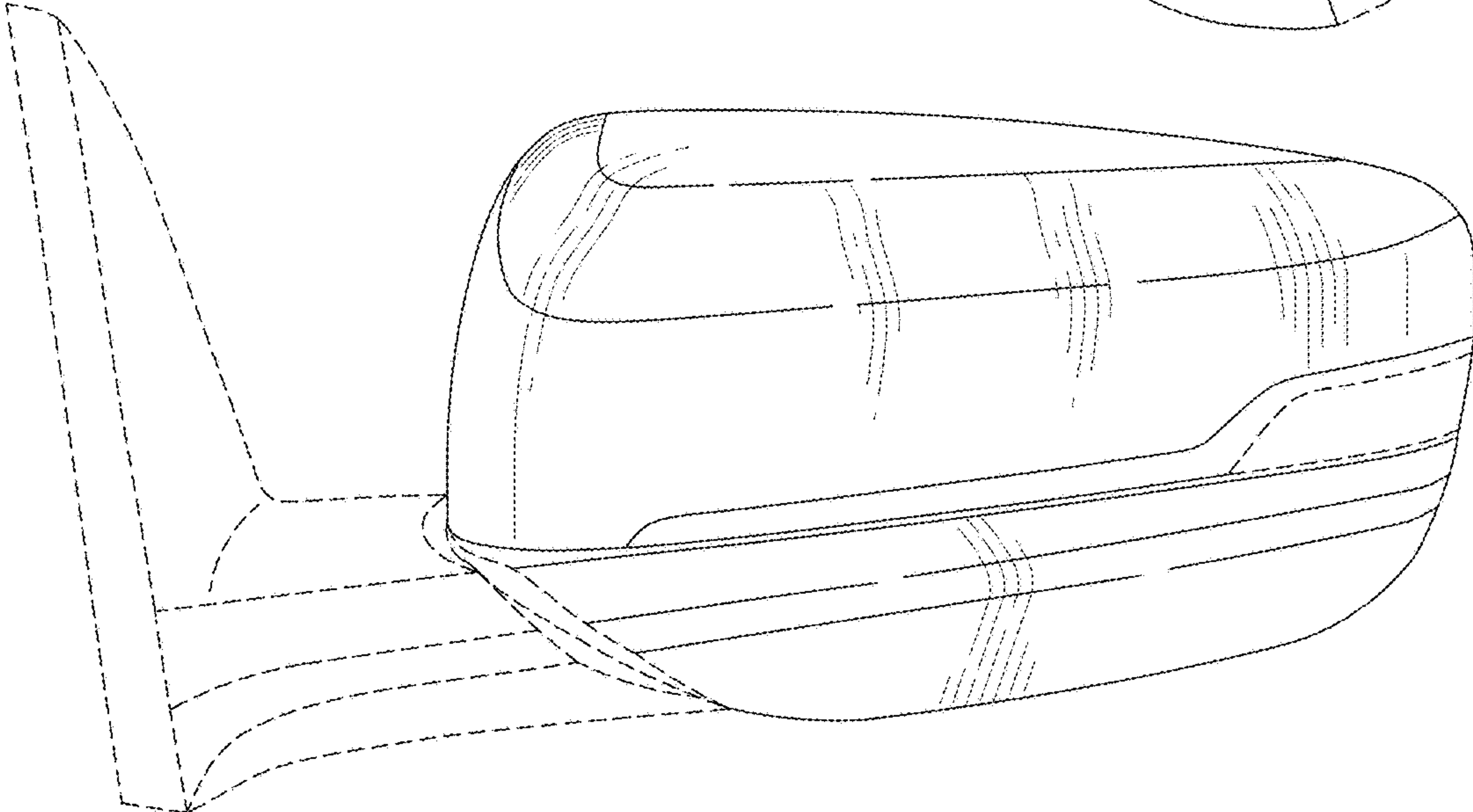


Fig. 4